



US00D929994S

(12) **United States Design Patent**
Zhang

(10) **Patent No.:** **US D929,994 S**
(45) **Date of Patent:** **** Sep. 7, 2021**

(54) **SCANNING DEVICE**

(71) Applicant: **ADVANCED NEW TECHNOLOGIES CO., LTD.**, Grand Cayman (KY)

(72) Inventor: **Zhenwei Zhang**, Hangzhou (CN)

(73) Assignee: **ADVANCED NEW TECHNOLOGIES CO., LTD.**, Grand Cayman (KY)

(**) Term: **15 Years**

(21) Appl. No.: **29/713,105**

(22) Filed: **Nov. 13, 2019**

(30) **Foreign Application Priority Data**

May 15, 2019 (CN) 201930235606.7

(51) **LOC (13) Cl.** **14-02**

(52) **U.S. Cl.**
USPC **D14/420; D14/424**

(58) **Field of Classification Search**
USPC D14/420, 426-430, 453; 235/462.01, 235/462.11, 462.43, 462.45, 462.49, 235/472.01, 385, 454, 435, 439-441, 375, 235/444, 456, 459, 462.14, 462.17, 462.2, 235/462.21, 490, 494, 476, 462.22, 235/462.32, 462.35; 382/313, 321, 318; 358/473; 250/215, 216, 566, 239, 221; D26/37-50, 24; 362/157, 158, 171-174, 362/183-208; 396/427; D24/158; D10/46; D16/219, 208, 202

CPC .. G06K 7/1417; G06K 7/1404; G06K 7/1408; G06K 7/1413; G06K 7/1495; G06K 7/10722; G06K 7/10752; G06K 7/10732; G06K 7/10544; G06K 7/10574; G06K 7/10742; G06K 7/10831; G06K 7/10821; G06K 7/10584; G06K 7/10613; G06K 7/10881; G06K 7/109; G06K 7/10693; G06K 7/10871; G06K 7/1096; G06K 7/10; G06K 7/10564; G06K 7/10594;

G06K 7/10603; G06K 7/10663; G06K 7/10673; G06K 7/10702; G06K 7/10792; G06K 7/10633; G06K 7/10653; G06K 7/10891; G06K 7/14; G06K 7/1443; G06K 7/10801; G06K 7/10811; G06K 7/10851; G06K 7/10861; G06K 2207/1011; G06K 2207/1012; G06K 2207/1013; G06K 2207/1016; G06K 2207/1017; G06K 2207/1018; G06K 2207/10534; G06K 17/0022; G06K 7/04; G06K 7/1447; G06K 7/10623; G06K 7/10683; A47F 9/046; A47F 9/047; G07G 1/0045; G04N 5/23238;

(Continued)

(56) **References Cited**

U.S. PATENT DOCUMENTS

D328,594 S * 8/1992 Kobayashi D14/424
D468,735 S * 1/2003 Landerholm D14/336

(Continued)

Primary Examiner — Susan Moon Lee

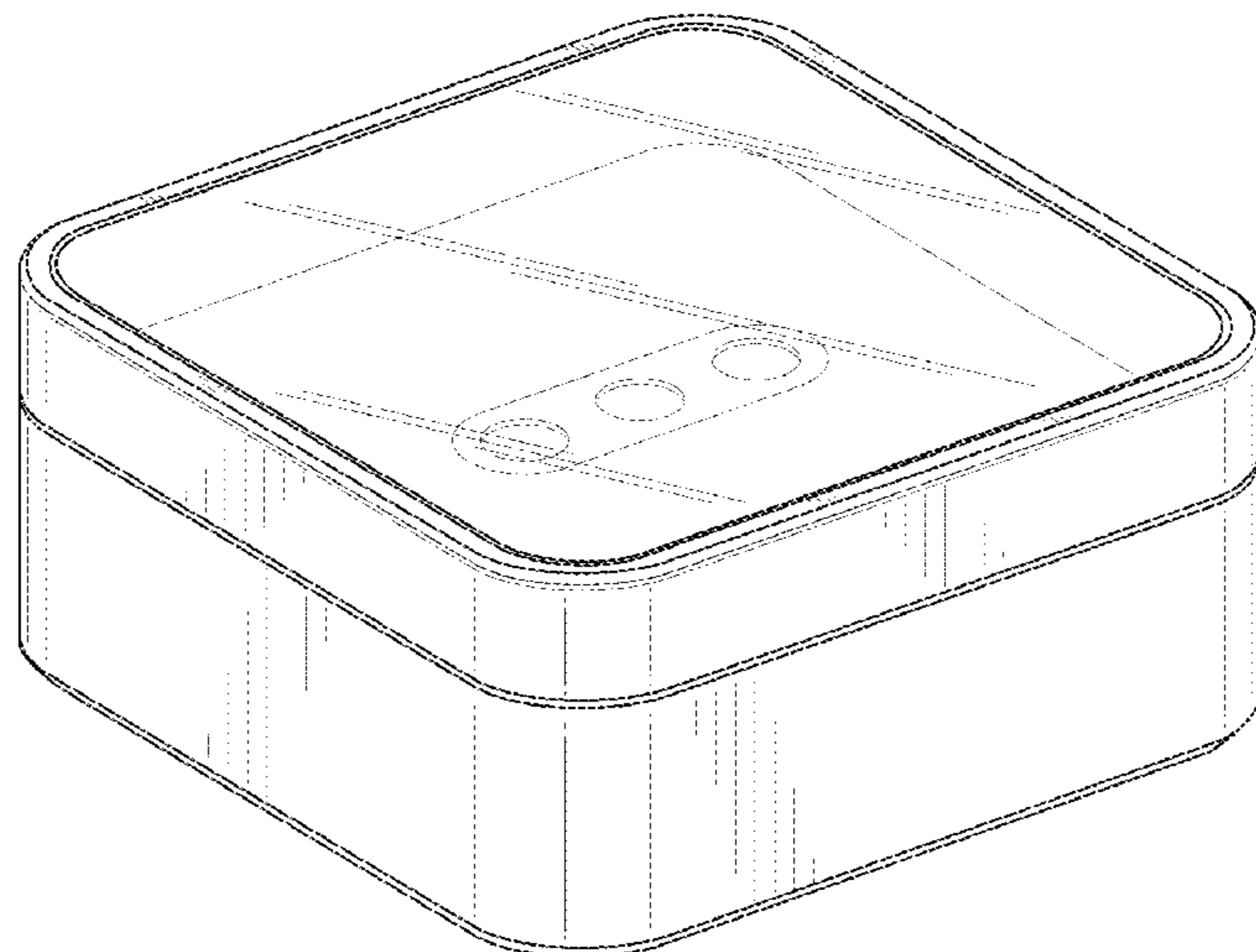
(57) **CLAIM**

The ornamental design for a scanning device, as shown and described.

DESCRIPTION

FIG. 1 is a front view showing a first embodiment of the scanning device;
FIG. 2 is a rear view thereof;
FIG. 3 is a left-side view thereof;
FIG. 4 is a right-side view thereof;
FIG. 5 is a top view thereof;
FIG. 6 is a bottom view thereof; and,
FIG. 7 is a front perspective view thereof.
Any shading and cross-hatching are not features of the design but are utilized to illustrate the surface contours of the scanning device.

1 Claim, 7 Drawing Sheets



(58) **Field of Classification Search**

CPC .. G04N 5/2252; G04N 5/2251; G03B 17/02;
 B25H 5/00; B66F 7/28; G02B 26/10;
 G02B 26/106; G02B 1/08; G02B
 19/0095; G02B 19/0028; G02B 19/0076;
 G07F 11/002; G07F 11/02; G06Q 20/343;
 G06Q 10/08; G06F 2203/0331; G01V
 8/10; G01D 11/245; G01D 11/28

See application file for complete search history.

(56) **References Cited**

U.S. PATENT DOCUMENTS

D514,574 S * 2/2006 Yanagisawa D14/420
 D578,906 S * 10/2008 Gatz D10/46
 D592,649 S * 5/2009 L'Henaff D14/240
 D612,503 S * 3/2010 Johnston D24/186
 D616,875 S * 6/2010 Oh D14/240
 D626,557 S * 11/2010 Lee D14/425
 D640,580 S * 6/2011 Bibeau D10/78
 D646,187 S * 10/2011 Edgar D10/50

D647,903 S * 11/2011 McClelland D14/371
 D669,079 S * 10/2012 Hansen D14/420
 D698,925 S * 2/2014 Marzynski D24/186
 D705,861 S * 5/2014 Tjin D18/50
 D716,815 S * 11/2014 van Hees D14/420
 D727,901 S * 4/2015 Nishimura D14/383
 D759,146 S * 6/2016 van Hees D16/225
 D759,230 S * 6/2016 Gordon D24/110
 D771,050 S * 11/2016 Morgeneier D14/426
 D784,332 S * 4/2017 Hsu D14/383
 D785,623 S * 5/2017 Kaiya D14/384
 D821,403 S * 6/2018 Howell D14/424
 D837,213 S * 1/2019 Kaiya D14/407
 D855,053 S * 7/2019 Hickman D14/384
 D855,613 S * 8/2019 Kaiya D14/383
 D861,684 S * 10/2019 Chen D14/385
 D884,702 S * 5/2020 Huang D14/420
 D890,753 S * 7/2020 Iasso D14/384
 D893,482 S * 8/2020 DeFazio D14/385
 D908,704 S * 1/2021 Long D14/420
 2014/0061312 A1 * 3/2014 Tien G06K 7/10544
 235/462.33

* cited by examiner

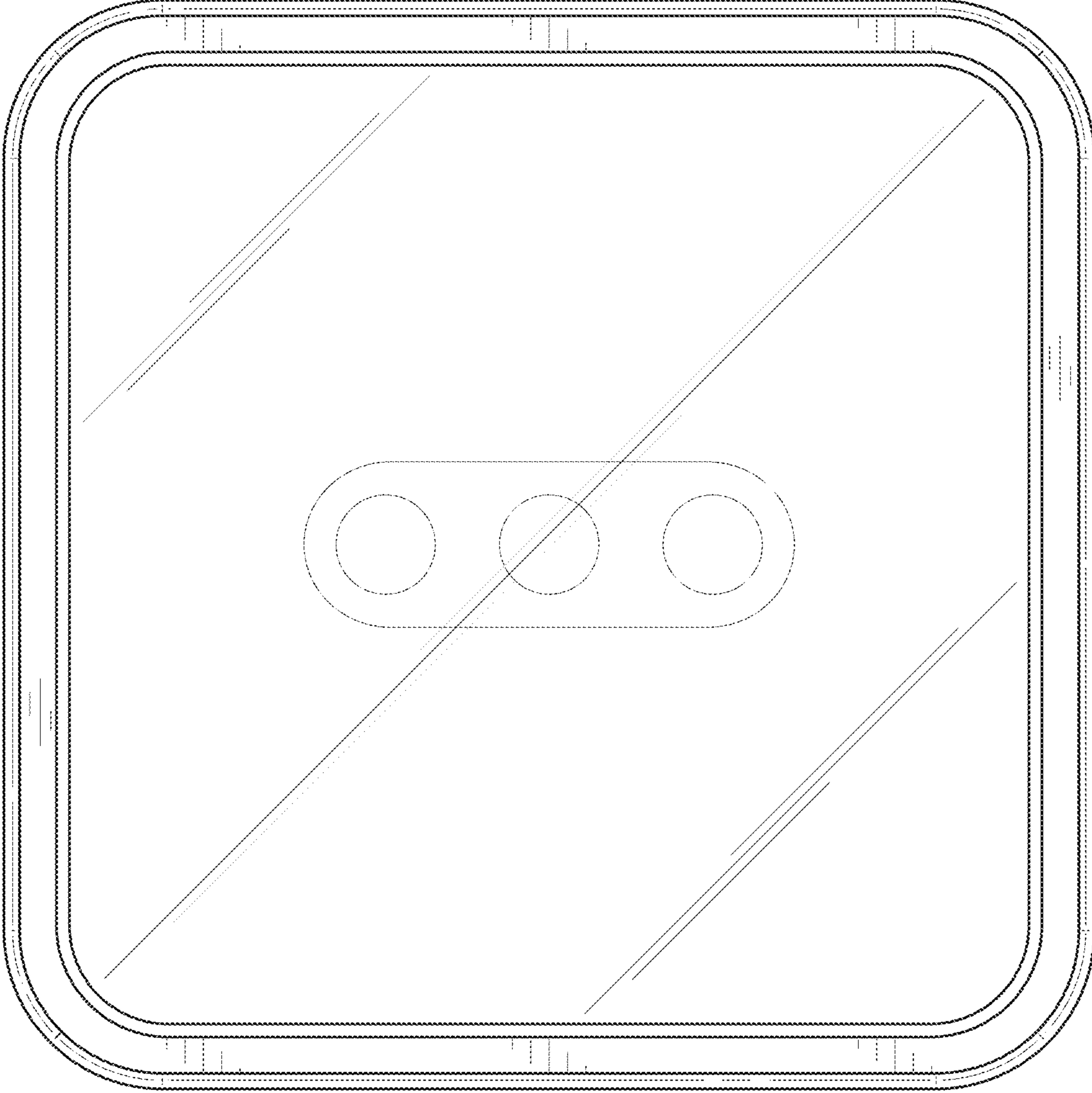


FIG. 1

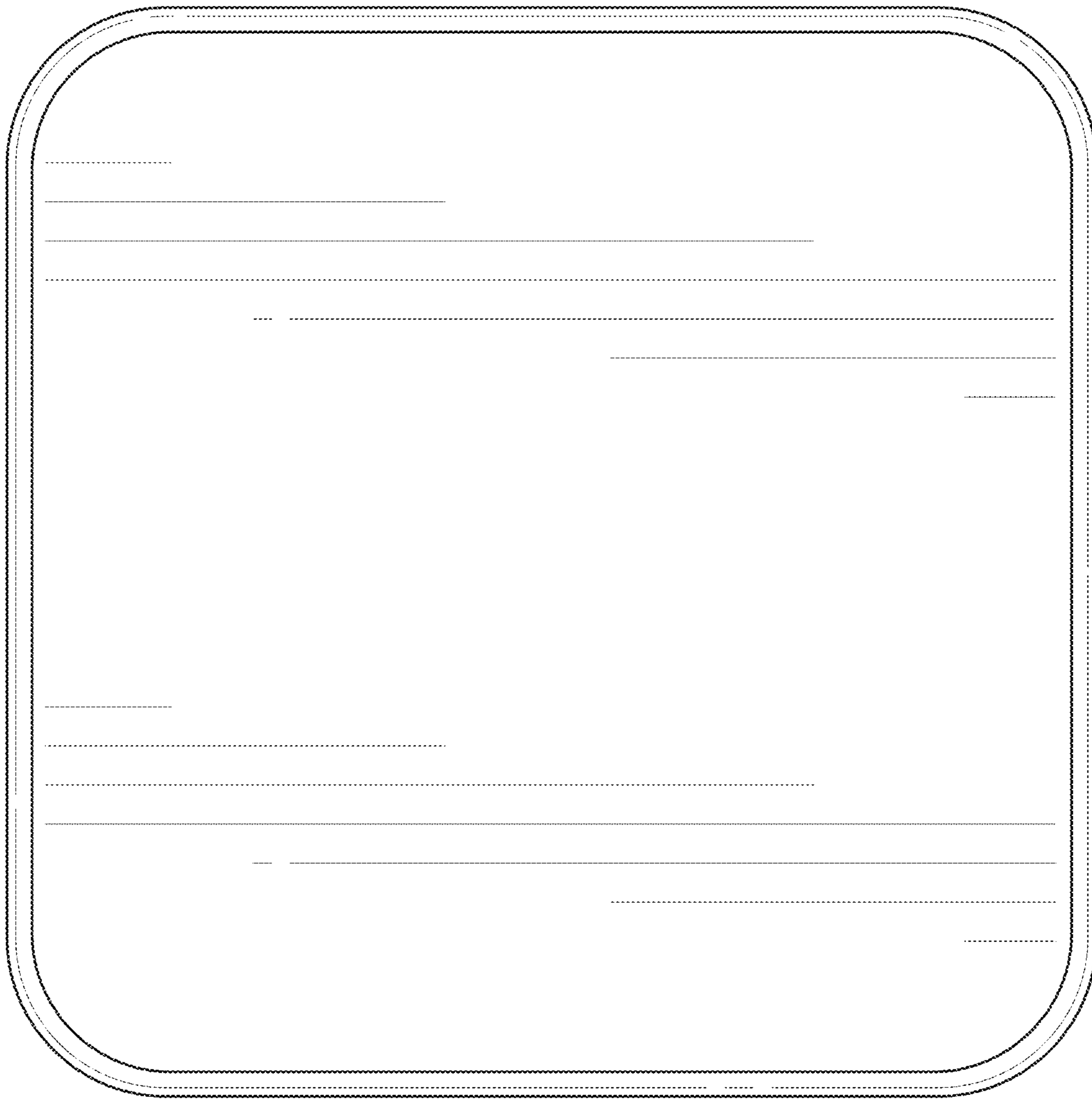


FIG. 2

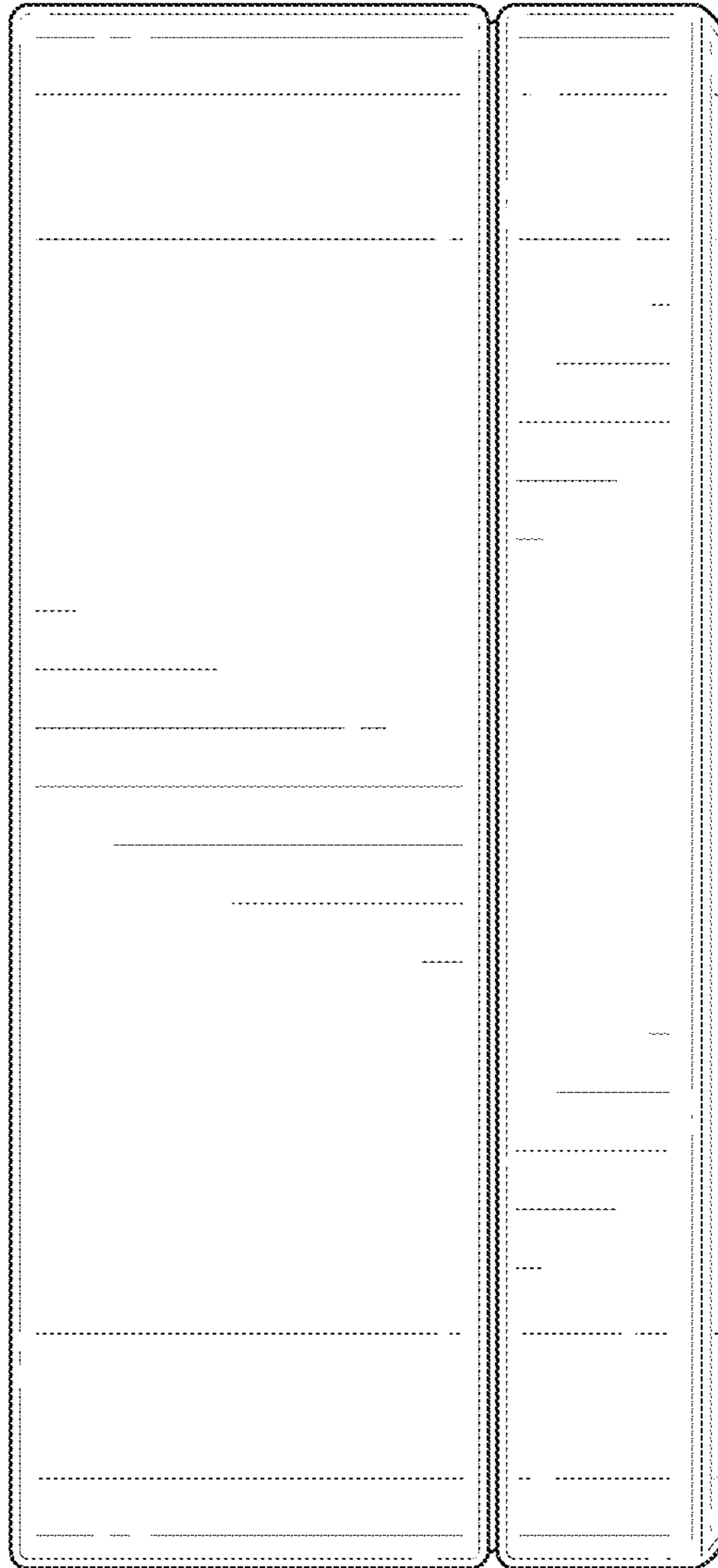


FIG. 3

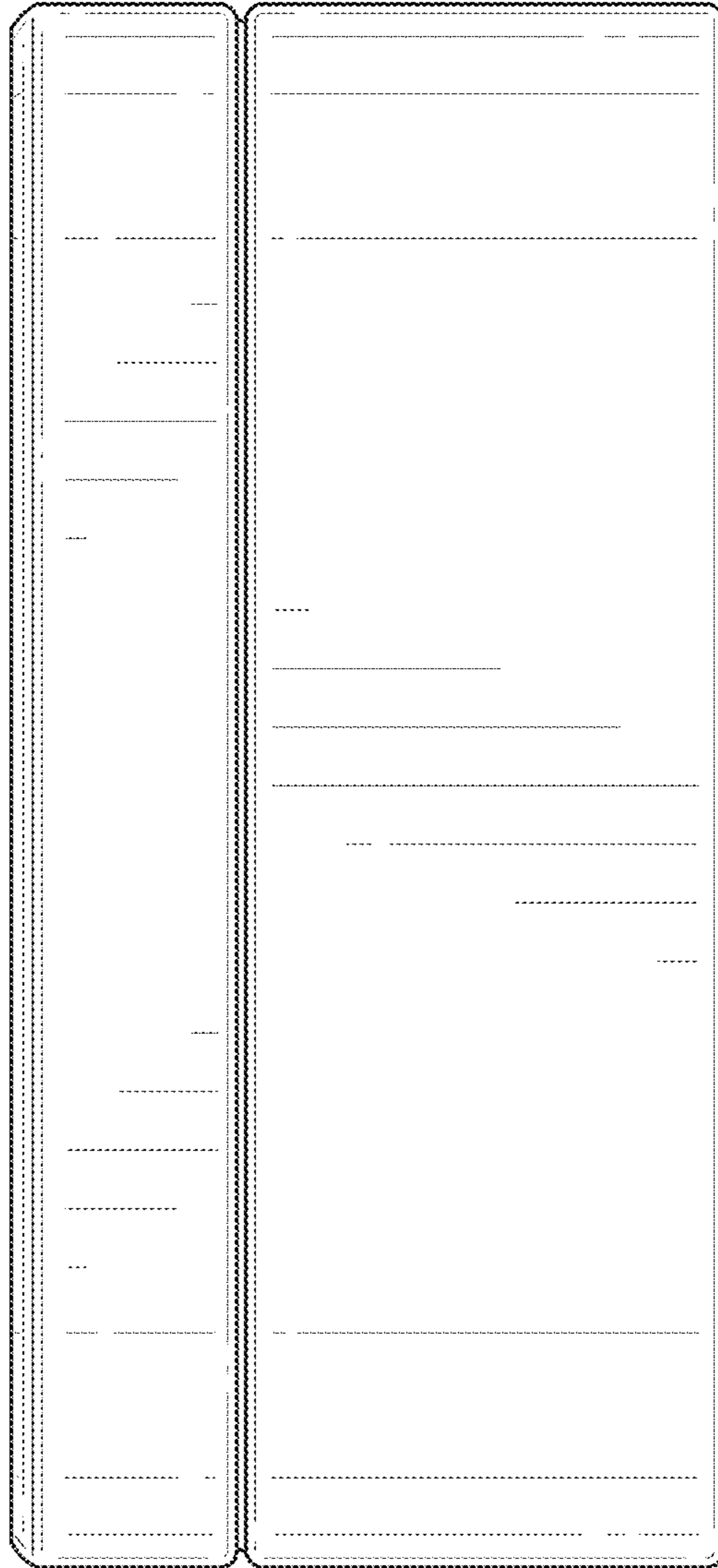


FIG. 4

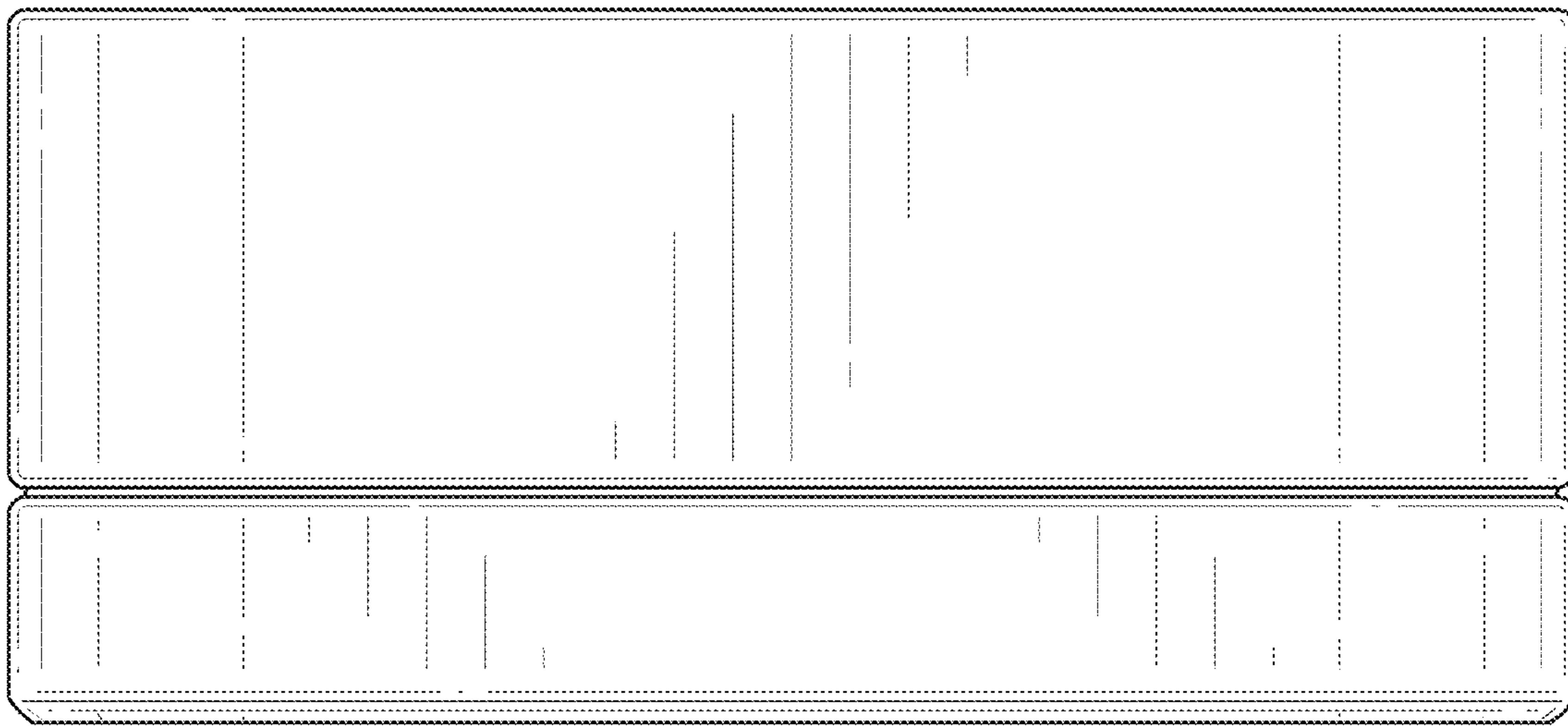


FIG. 5

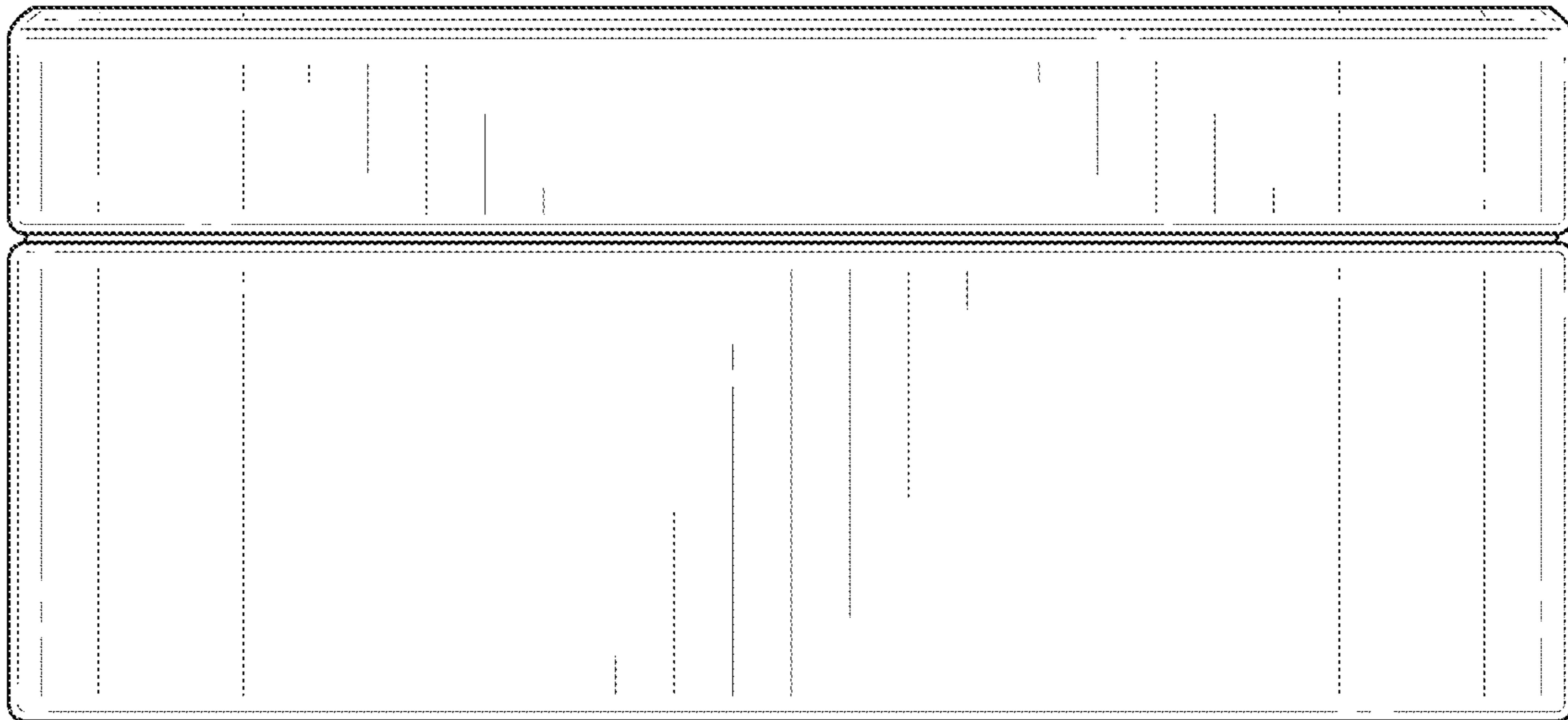


FIG. 6

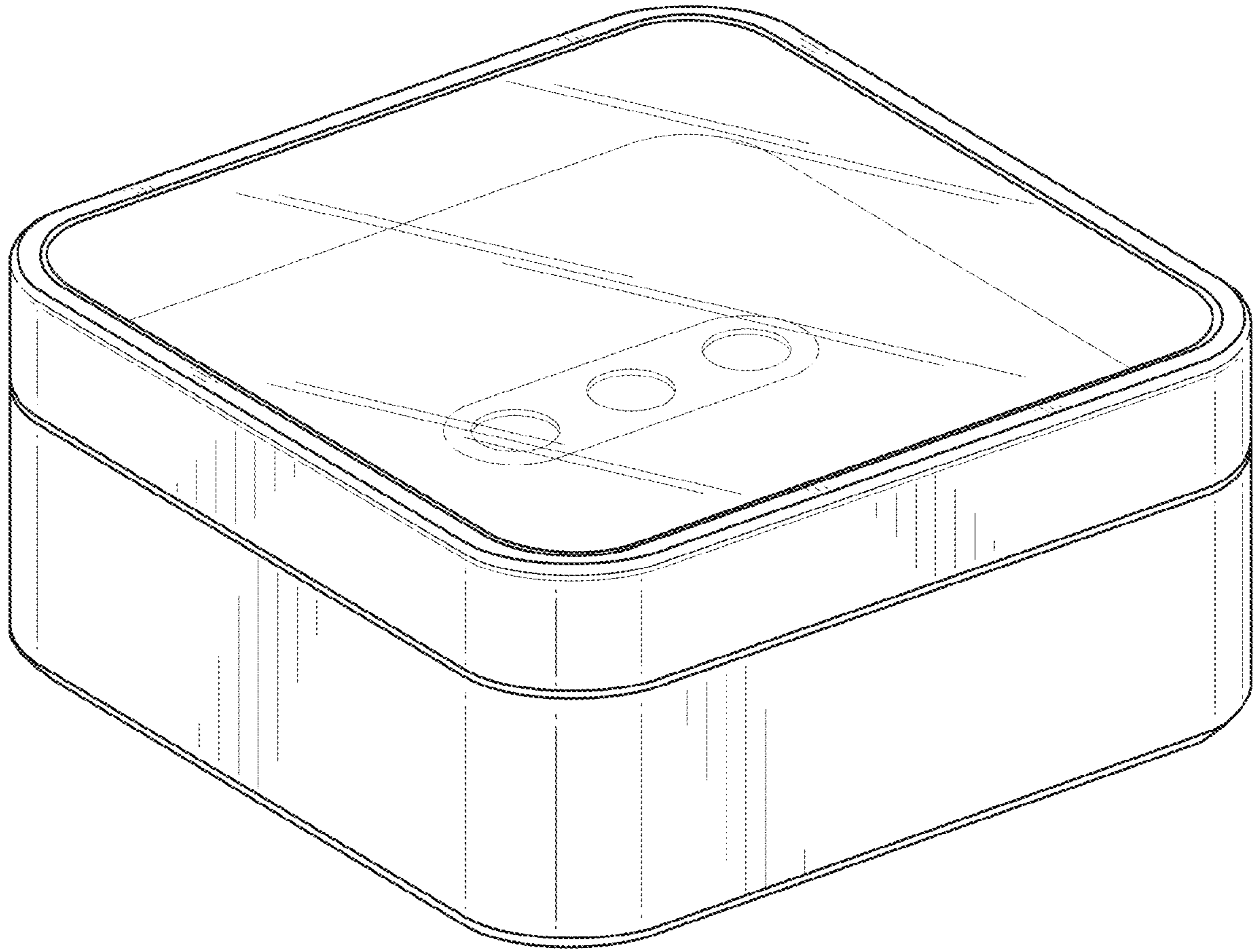


FIG. 7