



US00D929986S

(12) **United States Design Patent**  
**Chen**

(10) **Patent No.:** **US D929,986 S**

(45) **Date of Patent:** **\*\* Sep. 7, 2021**

(54) **ADJUSTABLE CELL PHONE STAND**

(71) Applicant: **Fushan Chen**, Putian (CN)

(72) Inventor: **Fushan Chen**, Putian (CN)

(\*\*) Term: **15 Years**

(21) Appl. No.: **29/751,684**

(22) Filed: **Sep. 23, 2020**

(51) **LOC (13) Cl.** ..... **14-03**

(52) **U.S. Cl.**  
USPC ..... **D14/253; D16/135**

(58) **Field of Classification Search**  
USPC ..... D14/251-253, 447, 440; D12/415;  
D3/218; D8/349; D13/108; D16/135  
CPC ..... H04M 1/04; H04M 1/06; H04M 1/11;  
H04M 1/12; H04M 1/13; A45F  
2200/0516; A45F 2200/0525  
See application file for complete search history.

(56) **References Cited**

**U.S. PATENT DOCUMENTS**

D664,528 S	7/2012	Chen et al.	
D666,614 S	9/2012	Ding	
D671,934 S	12/2012	Alman et al.	
D688,235 S	8/2013	Song	
D703,676 S *	4/2014	Smith	D14/447
9,308,767 B1 *	4/2016	Waldron	B42D 25/22
D756,367 S *	5/2016	Kim	D14/447
D760,214 S	6/2016	Kemper	
D789,348 S	6/2017	Kim	
D816,027 S *	4/2018	Chen	D13/108
D829,725 S *	10/2018	Luo	D14/447
D839,869 S *	2/2019	Wang	D14/253
D842,305 S *	3/2019	Gao	D14/447

10,563,812 B2 *	2/2020	Chen	G06F 1/1607
D903,689 S *	12/2020	Zheng	D14/447
D905,686 S *	12/2020	Zhang	D14/253
D912,654 S *	3/2021	Weng	D14/253
2017/0223862 A1 *	8/2017	Justiss	A47B 23/043

**OTHER PUBLICATIONS**

ORibox Adjustable Cell Phone Stand, 2020 Aluminum Desktop Cellphone Stand with Anti-Slip Base and Convenient Charging Port, Fits All Smart Phones, <https://www.amazon.com/dp/B0861VP6Q2>; Jun. 2, 2020.

\* cited by examiner

*Primary Examiner* — Janice Hallmark

(74) *Attorney, Agent, or Firm* — Rumit Ranjit Kanakia

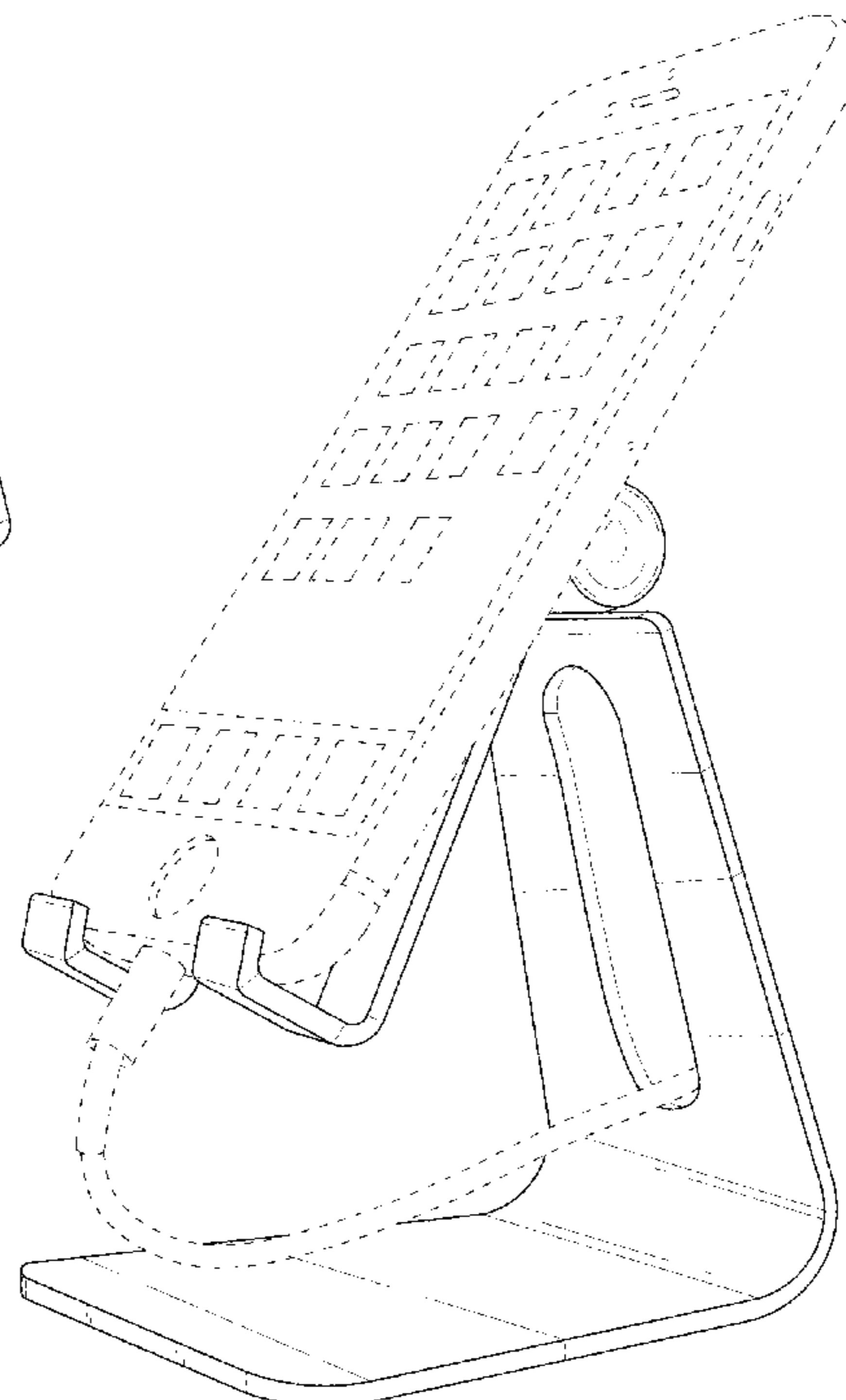
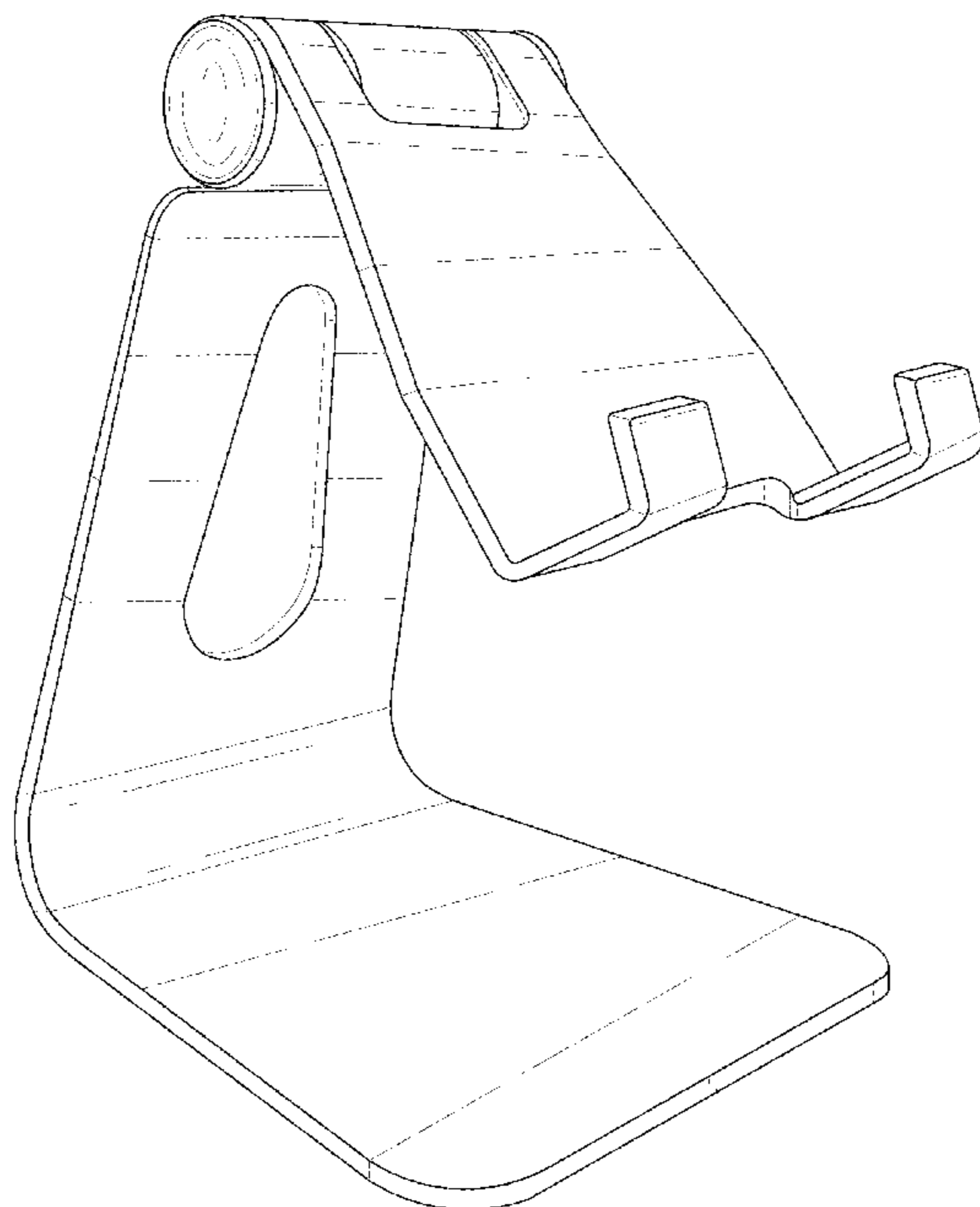
(57) **CLAIM**

I claim the ornamental design for an adjustable cell phone stand, as shown and described.

**DESCRIPTION**

FIG. 1 is a Perspective view of an adjustable cell phone stand showing my new design; FIG. 2 is a Front view thereof; FIG. 3 is a Back view thereof; FIG. 4 is a Right-side view thereof; FIG. 5 is a Left-side view thereof; FIG. 6 is a Top view thereof; FIG. 7 is a Bottom view thereof; and, FIG. 8 is other perspective view thereof. The broken lines in the drawings depict environmental subject matter only and form no part of the claimed design.

**1 Claim, 8 Drawing Sheets**



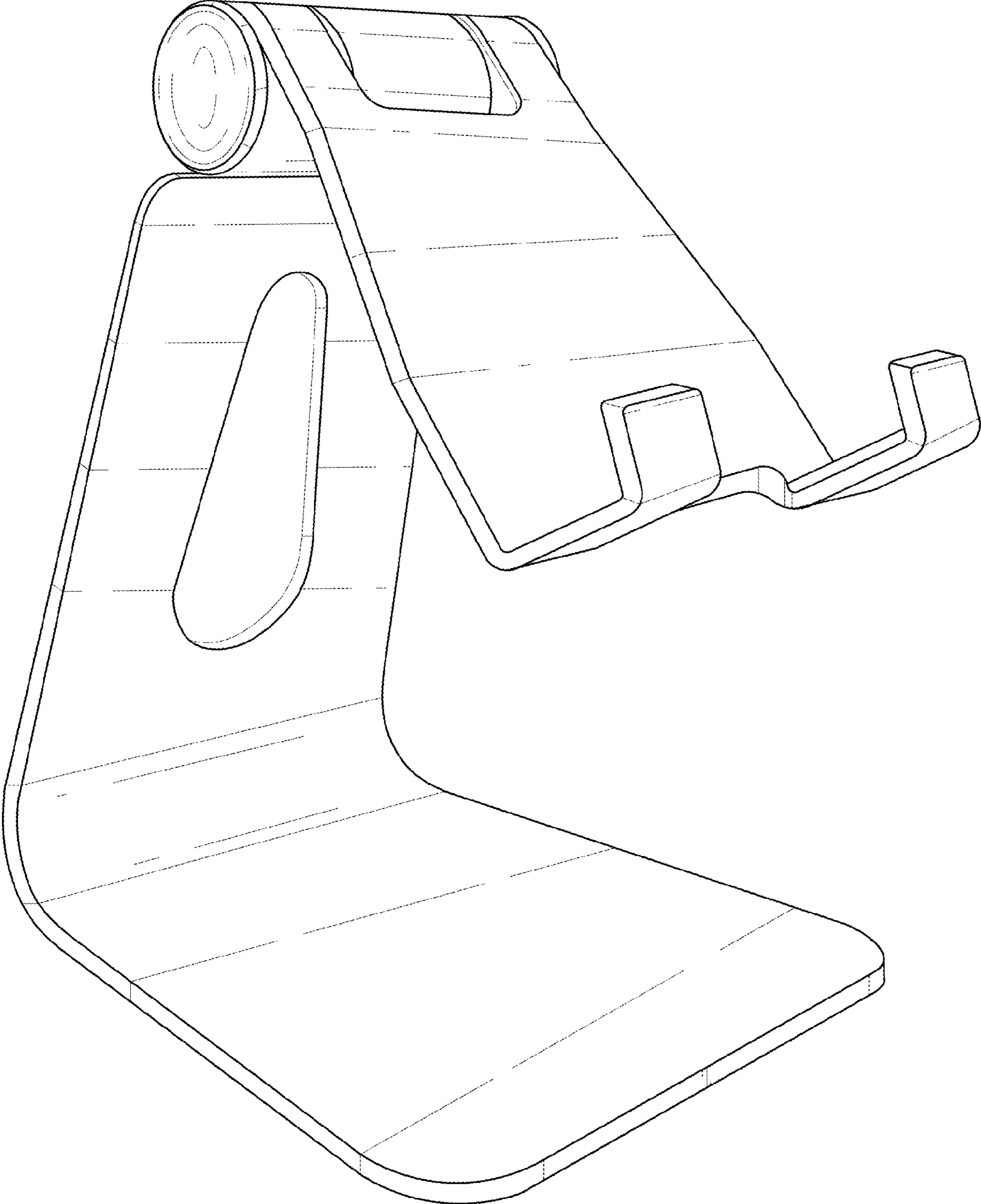


FIG. 1

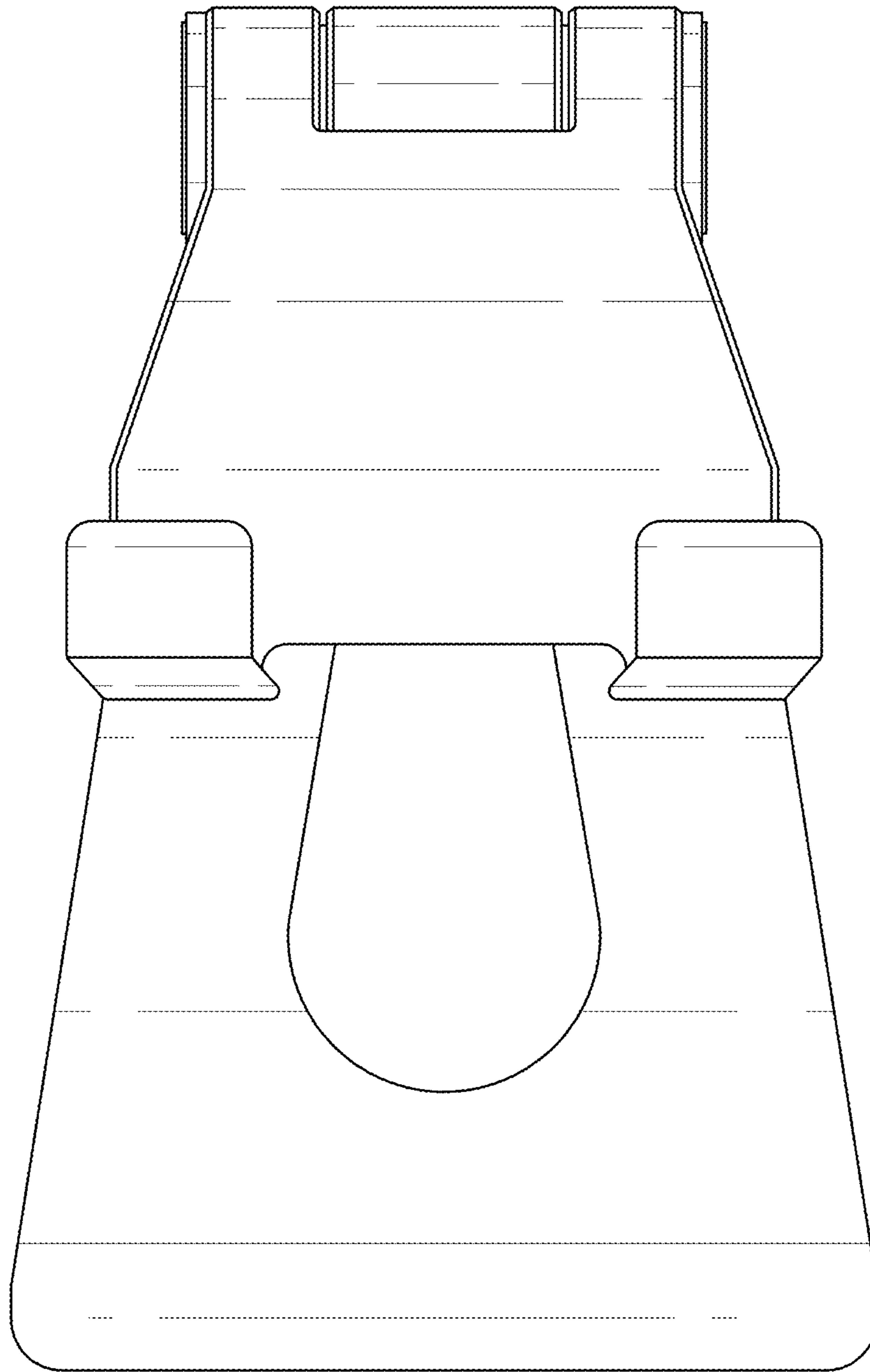


FIG. 2

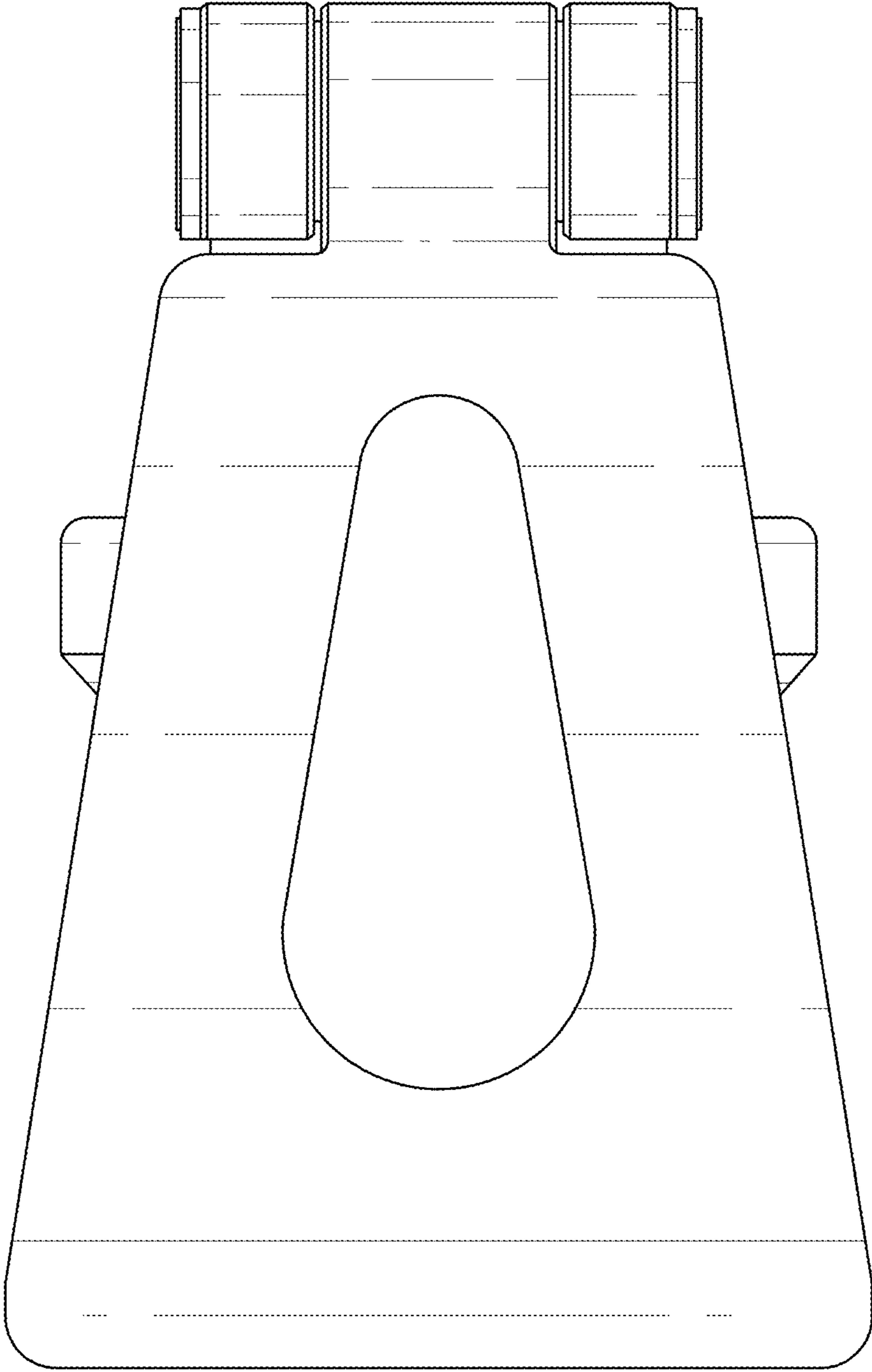


FIG. 3

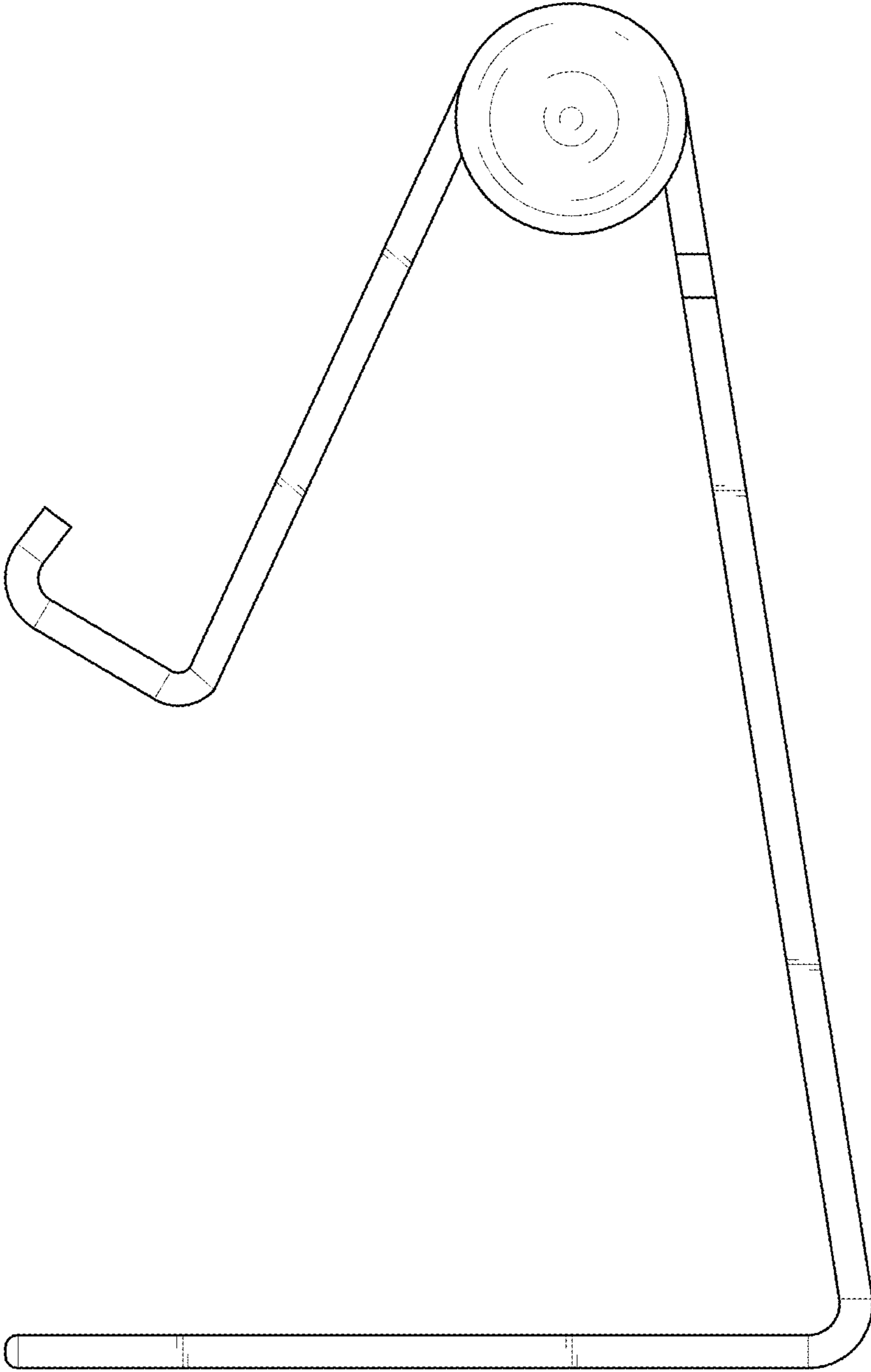


FIG. 4

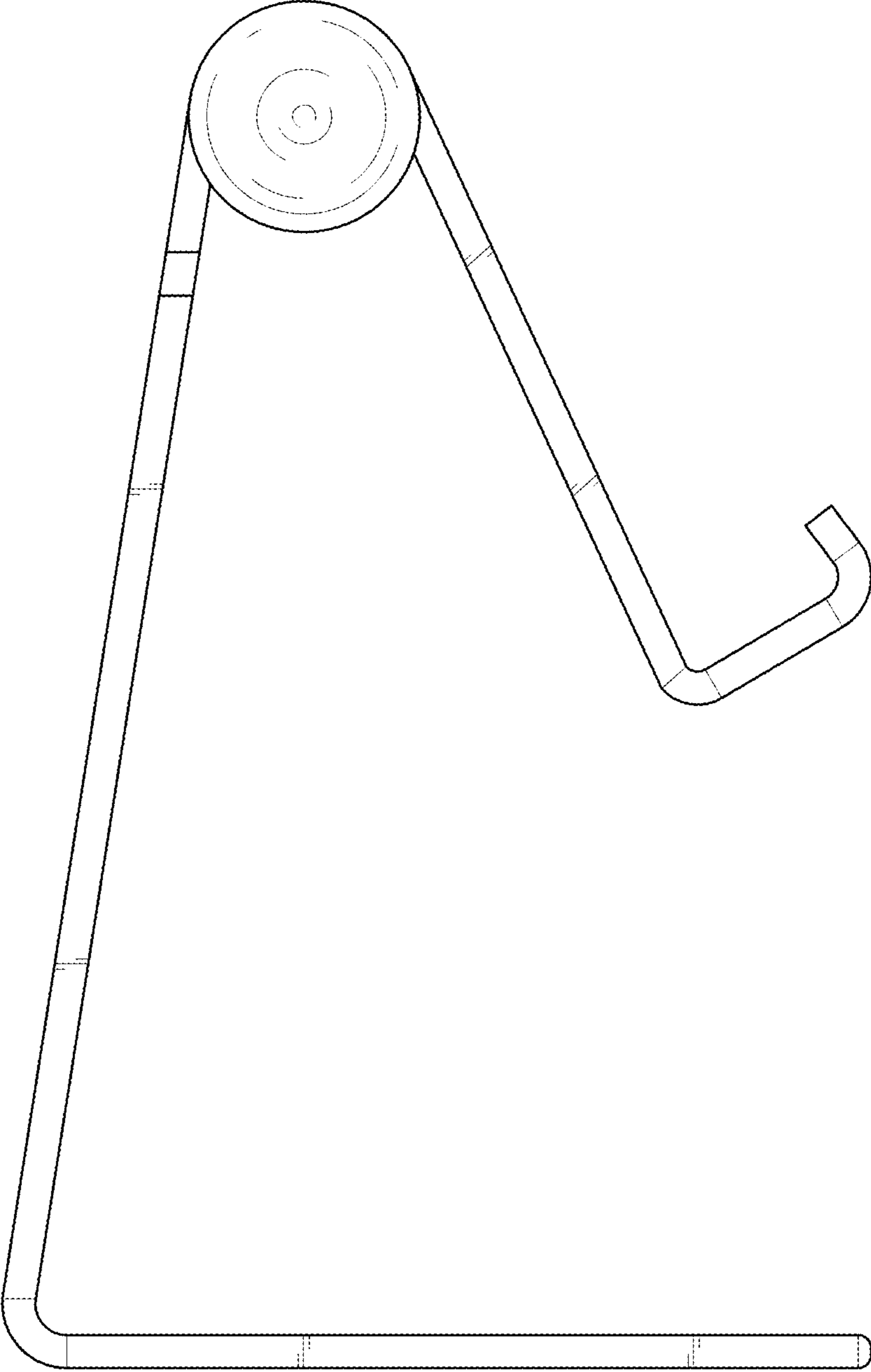


FIG. 5

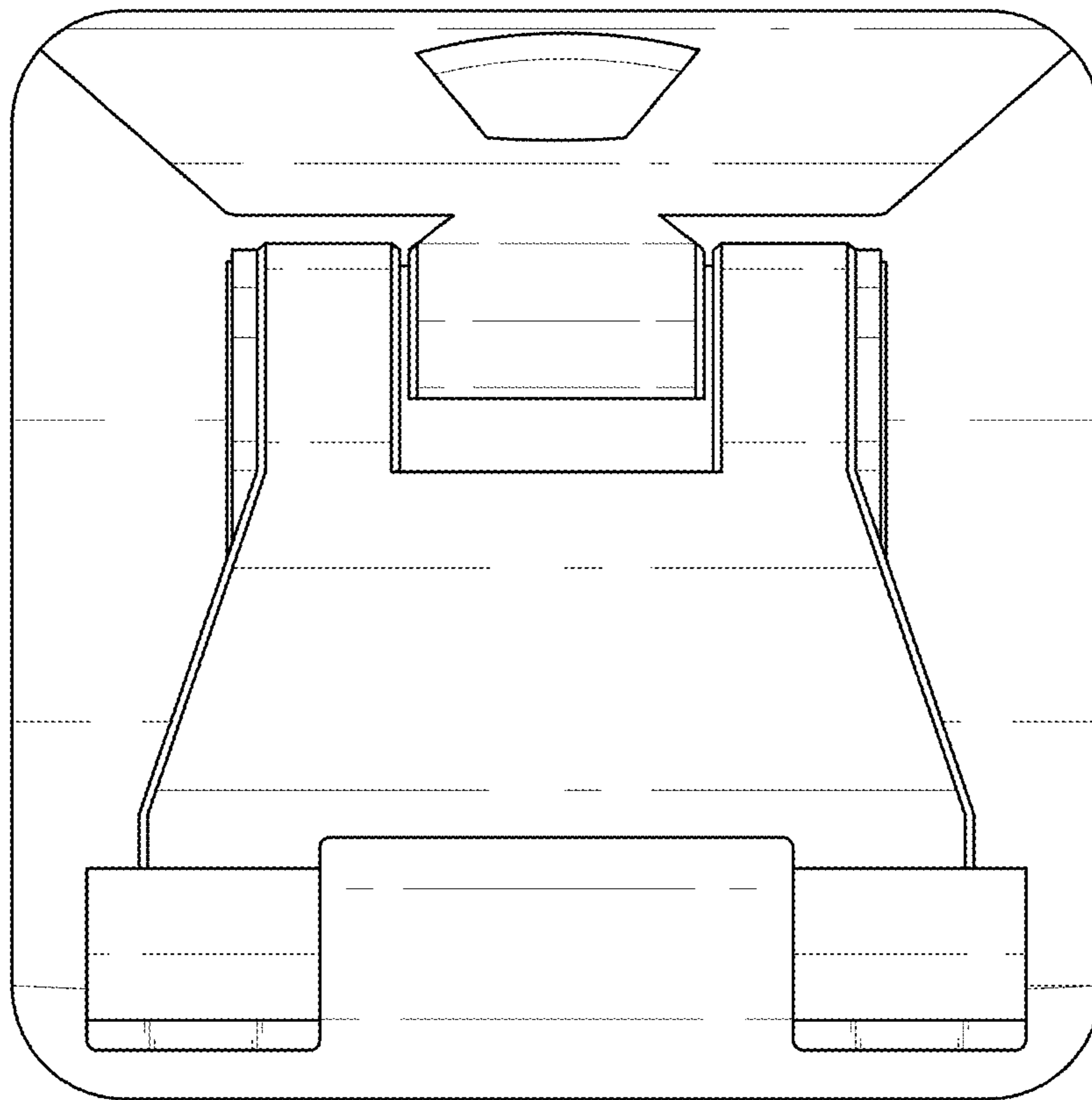


FIG. 6

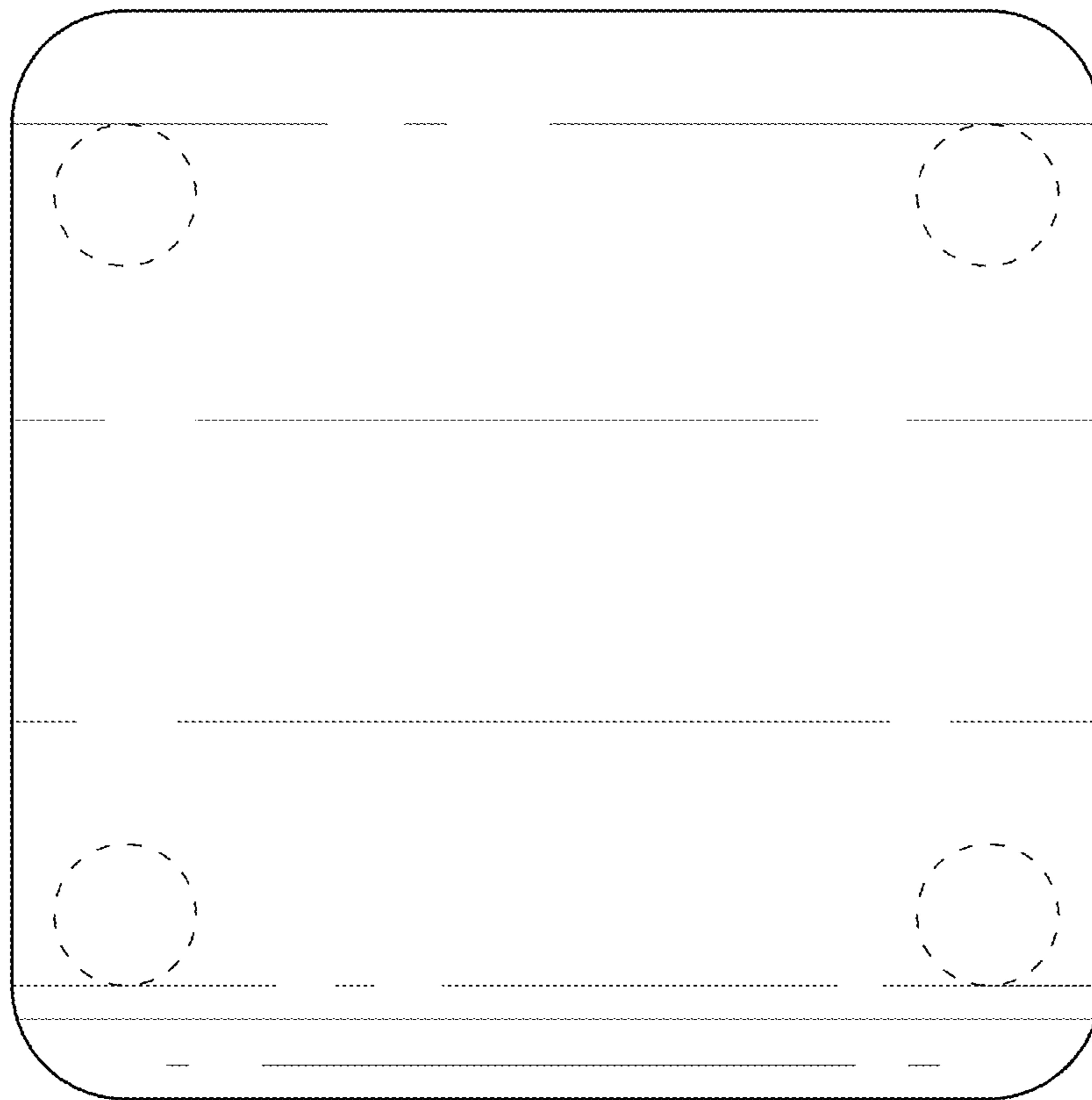


FIG. 7



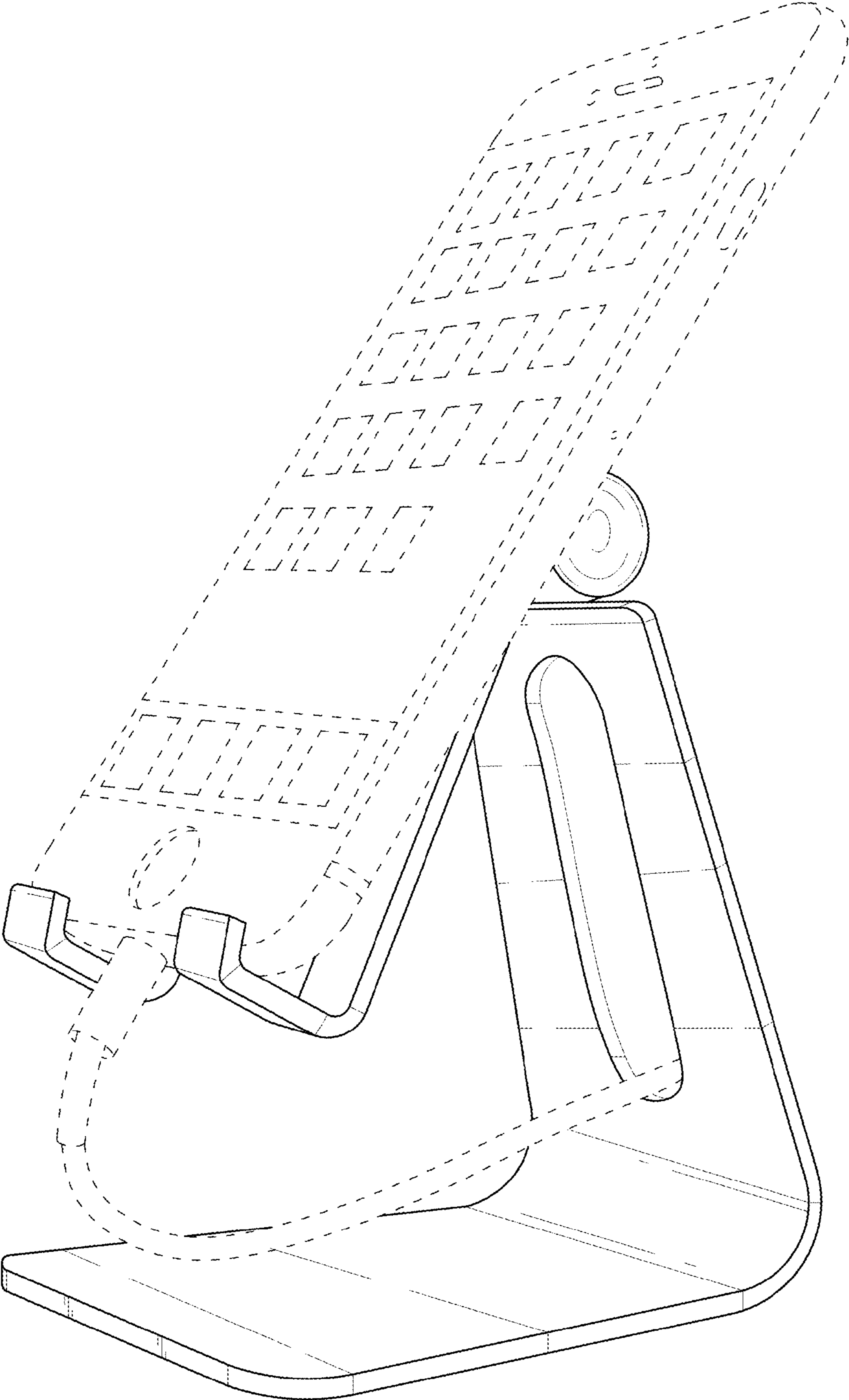


FIG. 8