



US00D929985S

(12) **United States Design Patent** (10) **Patent No.:** **US D929,985 S**
Yeo (45) **Date of Patent:** **** Sep. 7, 2021**

(54) **PORTABLE DEVICE HOLDER**
(71) Applicant: **Changki Yeo**, Incheon (KR)
(72) Inventor: **Changki Yeo**, Incheon (KR)
(**) Term: **15 Years**
(21) Appl. No.: **29/717,290**
(22) Filed: **Dec. 16, 2019**
(30) **Foreign Application Priority Data**
Nov. 28, 2019 (KR) 30-2019-0057334
(51) **LOC (13) Cl.** **14-03**
(52) **U.S. Cl.**
USPC **D14/251**; D14/250
(58) **Field of Classification Search**
USPC D14/251–253, 447, 452, 432–434, 440,
D14/439, 254, 217, 224, 224.1, 238.1,
D14/299, 451, 483, 250, 458;
D12/415–426, 426.1, 114, 223; D03/218,
D03/215, 201, 207, 208, 212, 247, 232;
D16/242, 245, 208, 206, 218, 219, 243,
D16/237; D8/349, 363, 306, 307, 352,
D8/401; D2/624, 625, 627, 635, 632,
D2/999; D7/620, 619.1, 602, 701;
D6/553, 512
CPC ... A45C 11/00; A45F 5/00; A45F 5/10; A45F
5/02; A45F 2200/0516; A45F 2200/0525;
A45F 2200/0533; A45F 2200/0508; A45F
2005/008; A47G 23/0216; B60R 11/00;
B60R 11/02; B60R 11/0241; B60R
11/0252; B60R 2011/0005; B60R
2011/0008; F16B 2/06; F16M 11/00;
F16M 11/04; F16M 11/06; F16M
11/2021; F16M 11/38; F16M 11/046;
F16M 11/08; F16M 11/16; F16M 11/041;
F16M 11/2014; F16M 11/2007; F16M
13/00; F16C 11/045; G03B 17/561; G03B
17/563; H04M 1/02; H04M 1/04; H04M
1/11; H04M 1/15; H04M

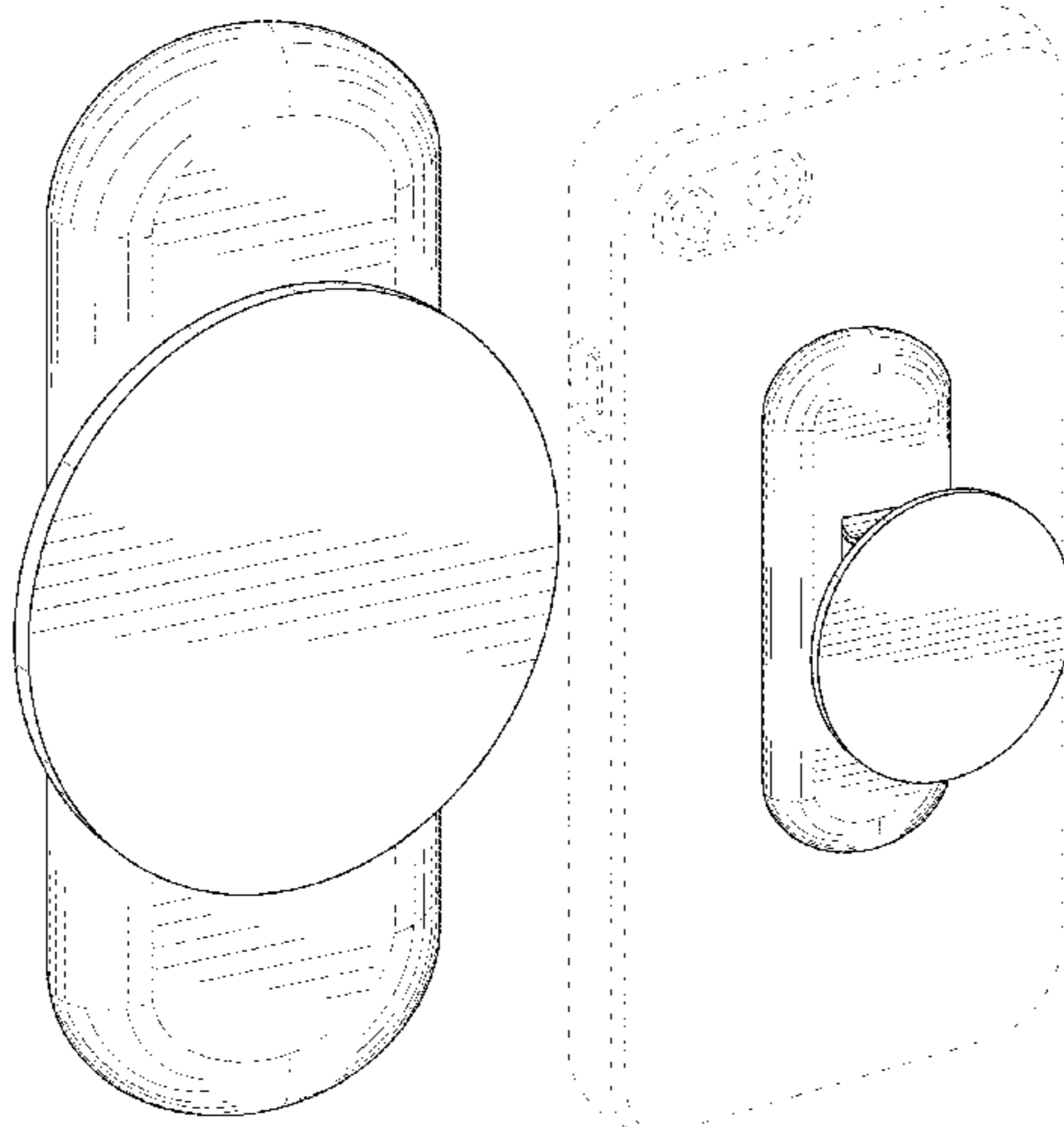
(Continued)

(56) **References Cited**
U.S. PATENT DOCUMENTS
D748,639 S * 2/2016 Khodapanah D14/447
D794,607 S * 8/2017 Srour D14/217
(Continued)
Primary Examiner — Ramzi Almatrahi
Assistant Examiner — Charles Cunningham

(57) **CLAIM**
The ornamental design for a portable device holder, as shown and described.

DESCRIPTION
FIG. 1 is a front perspective view of a portable device holder showing my new design;
FIG. 2 is a front elevation view thereof;
FIG. 3 is a rear elevation view thereof;
FIG. 4 is a left side elevation view thereof, the right side elevation view being a mirror image thereof;
FIG. 5 is a top plan view thereof; the bottom plan view being a mirror image thereof;
FIG. 6 is a front perspective view thereof, shown in condition of use with a portable device disclosed in broken lines to illustrate an environment.
FIG. 7 is a front perspective view thereof, shown with the Portable Device Holder in an extended position;
FIG. 8 is a front perspective view thereof, shown with a human hand disclosed in broken lines to illustrate an environment; and,
FIG. 9 is a top plan view thereof, shown with a substrate disclosed in broken lines to illustrate an environment.
The broken lines depict portions of the portable device holder in which the design is embodied that form no part of the claimed design. The broken lines showing a portable device, a human hand, and a substrate in FIGS. 6-9 represent environmental structure and form no part of the claimed design.

1 Claim, 9 Drawing Sheets



(58) **Field of Classification Search**

CPC .. 1/026; H04M 1/0266; H04M 1/0281; H04M
1/0202; H04M 1/6041; H04B 1/3877;
H04B 1/3888; H04B 1/385; H01F
7/0252; H05K 5/0204; H04R 1/1033;
E05D 3/02

See application file for complete search history.

(56) **References Cited**

U.S. PATENT DOCUMENTS

9,787,348 B2 * 10/2017 Srouer H04M 1/15
D847,805 S * 5/2019 Lederer D14/250
D879,109 S * 3/2020 Lederer D14/447
D883,273 S * 5/2020 Chen D14/253
10,721,343 B2 * 7/2020 Nahum F16M 11/041
10,724,280 B1 * 7/2020 Srouer E05D 3/02
10,774,871 B1 * 9/2020 Srouer F16C 11/045
2017/0195000 A1 * 7/2017 Srouer H04B 1/3888
2019/0208871 A1 * 7/2019 Barnett A45F 5/10
2019/0211966 A1 * 7/2019 Nahum F16M 11/38
2020/0063915 A1 * 2/2020 Lederer F16M 11/2007

* cited by examiner

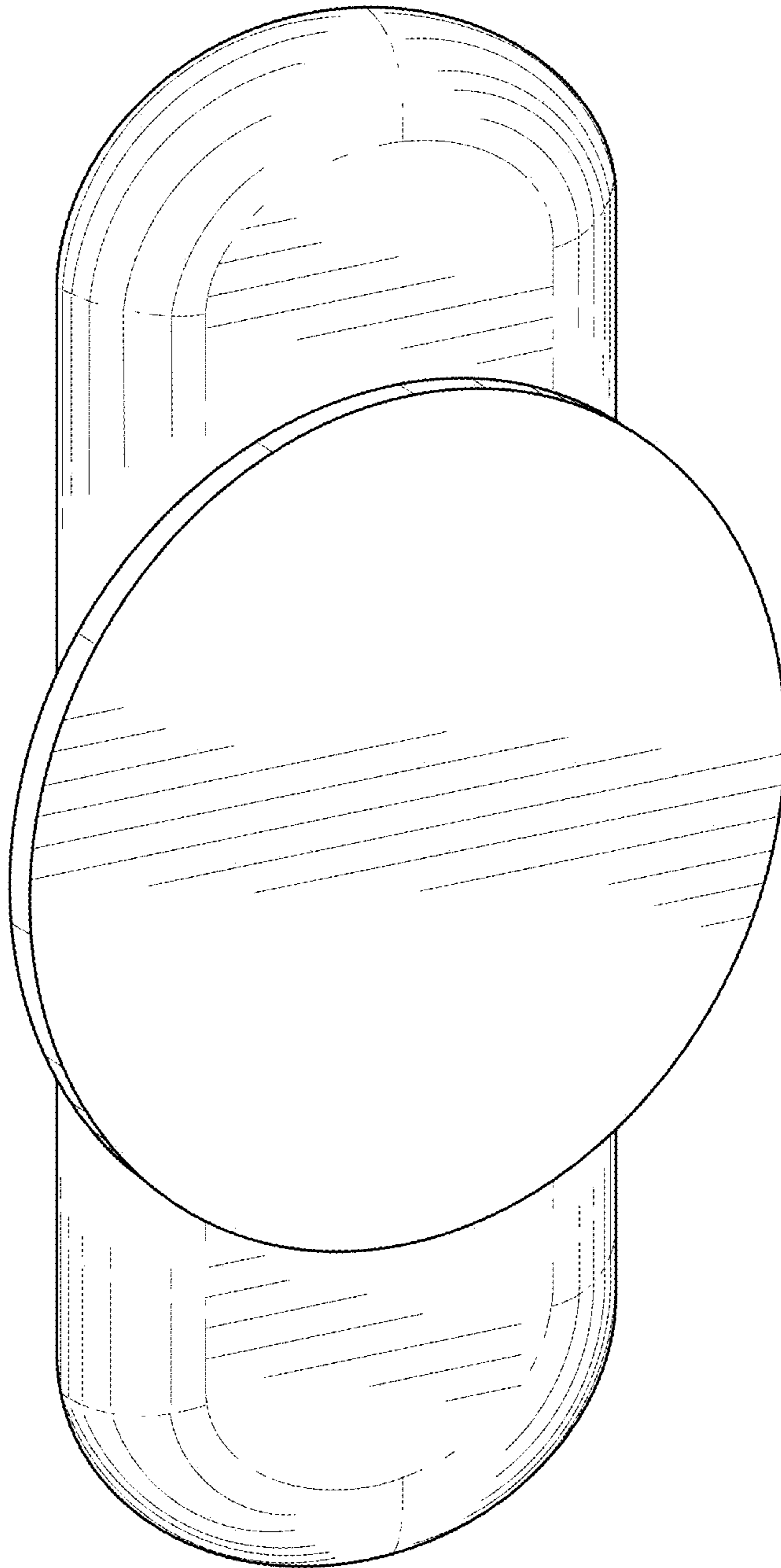


FIG. 1

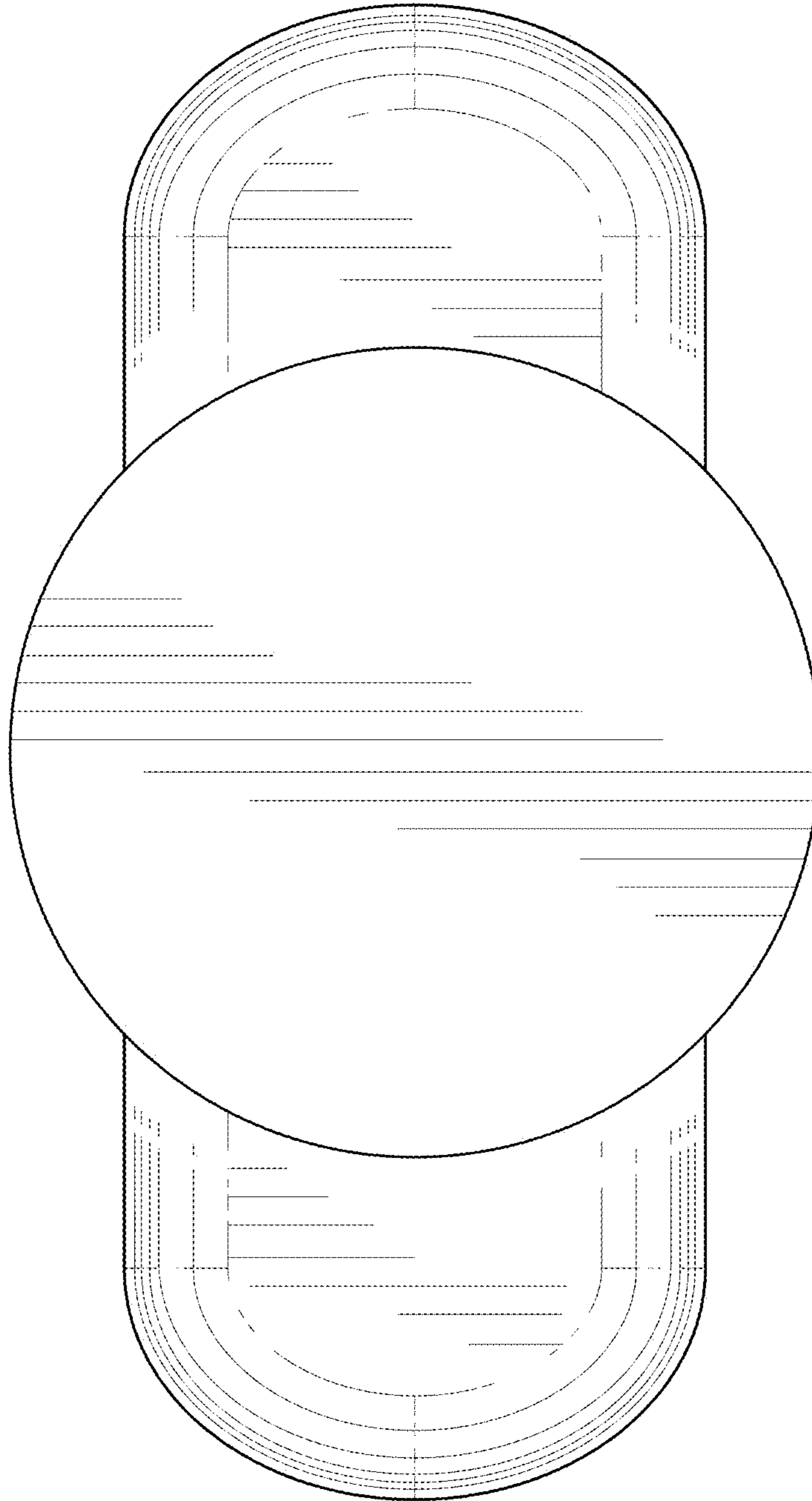


FIG. 2

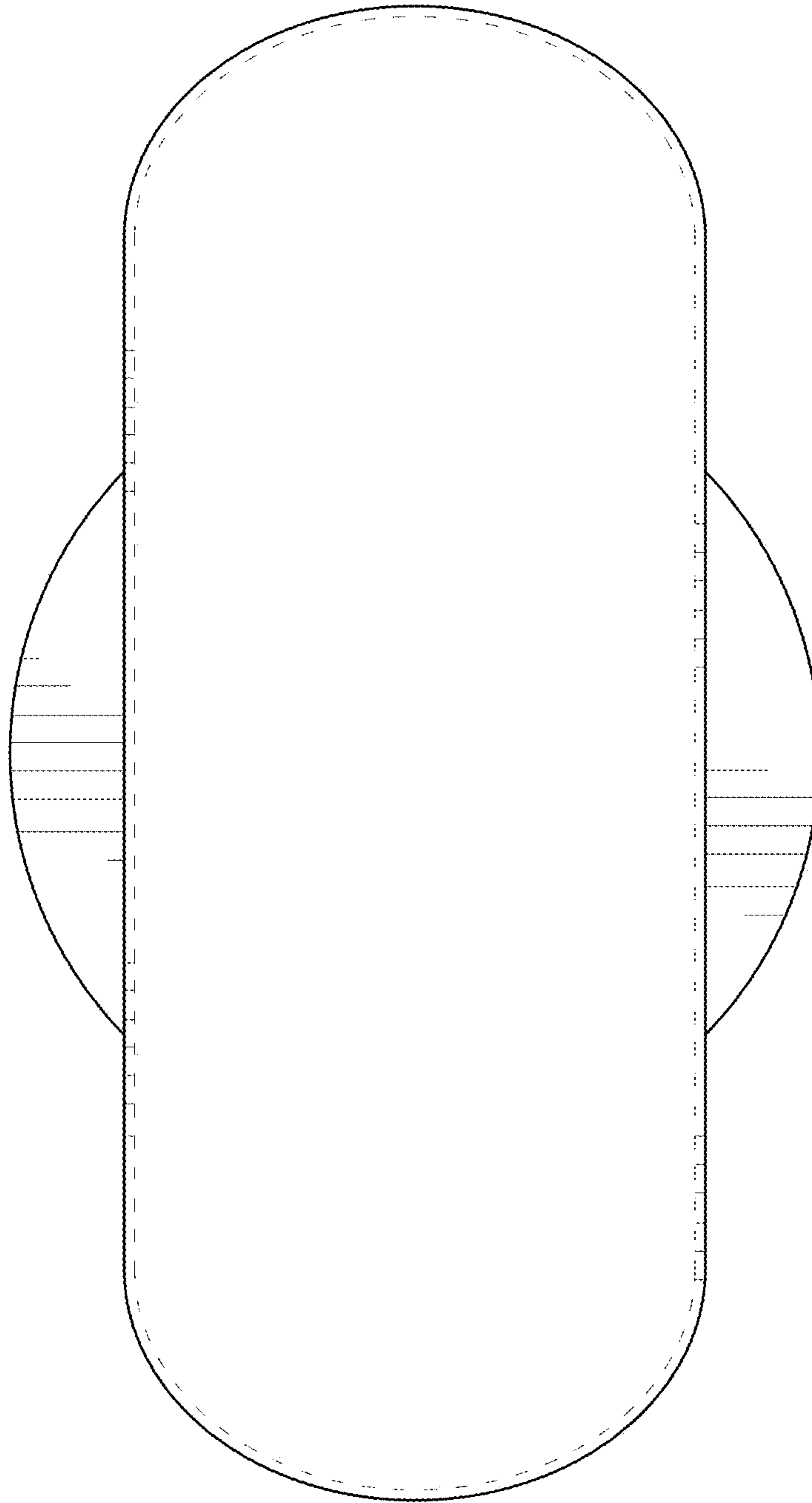


FIG. 3

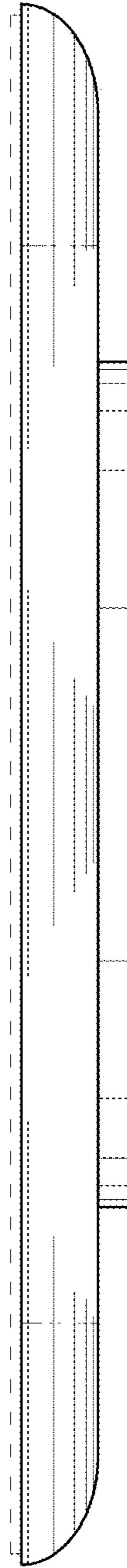


FIG. 4

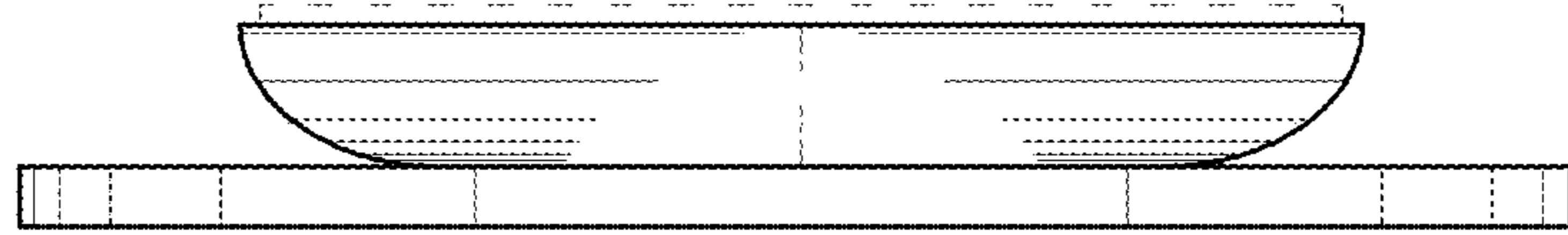


FIG. 5

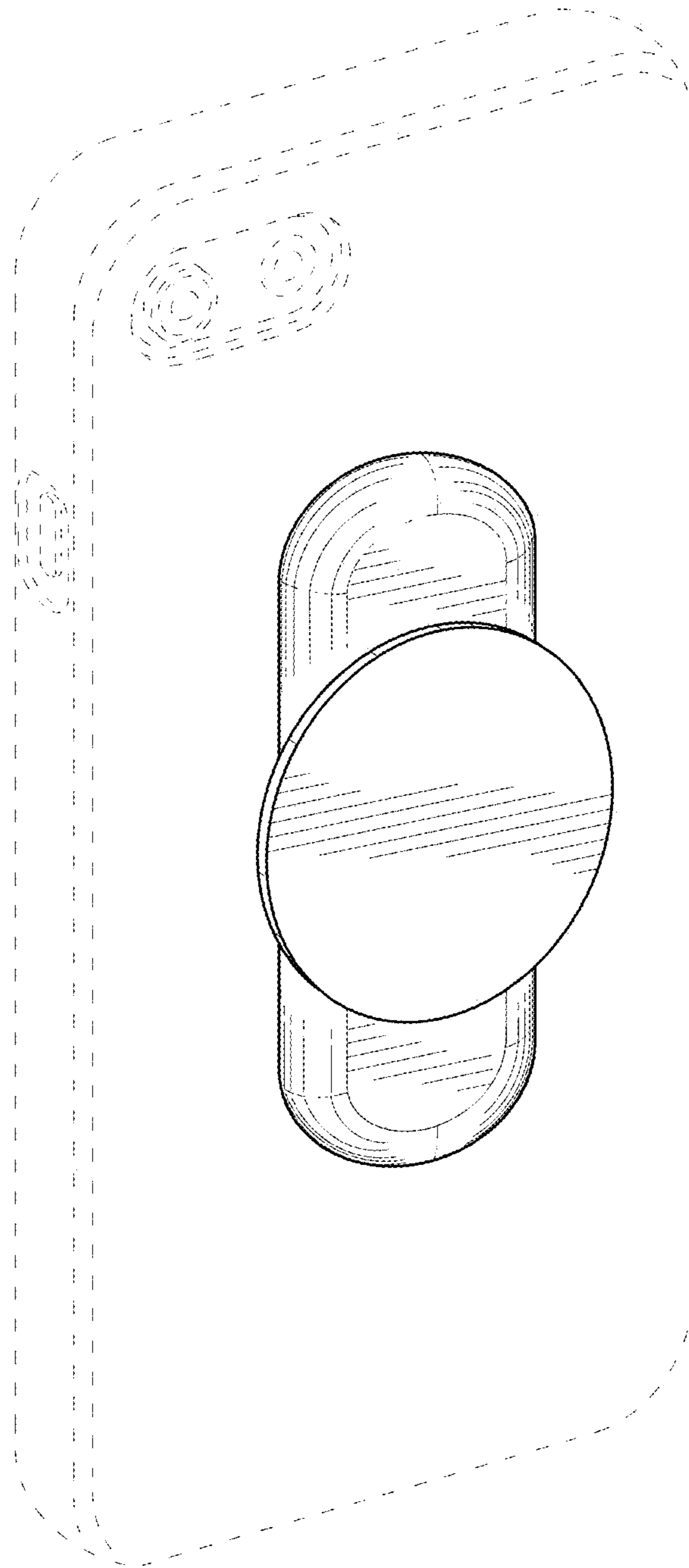


FIG. 6

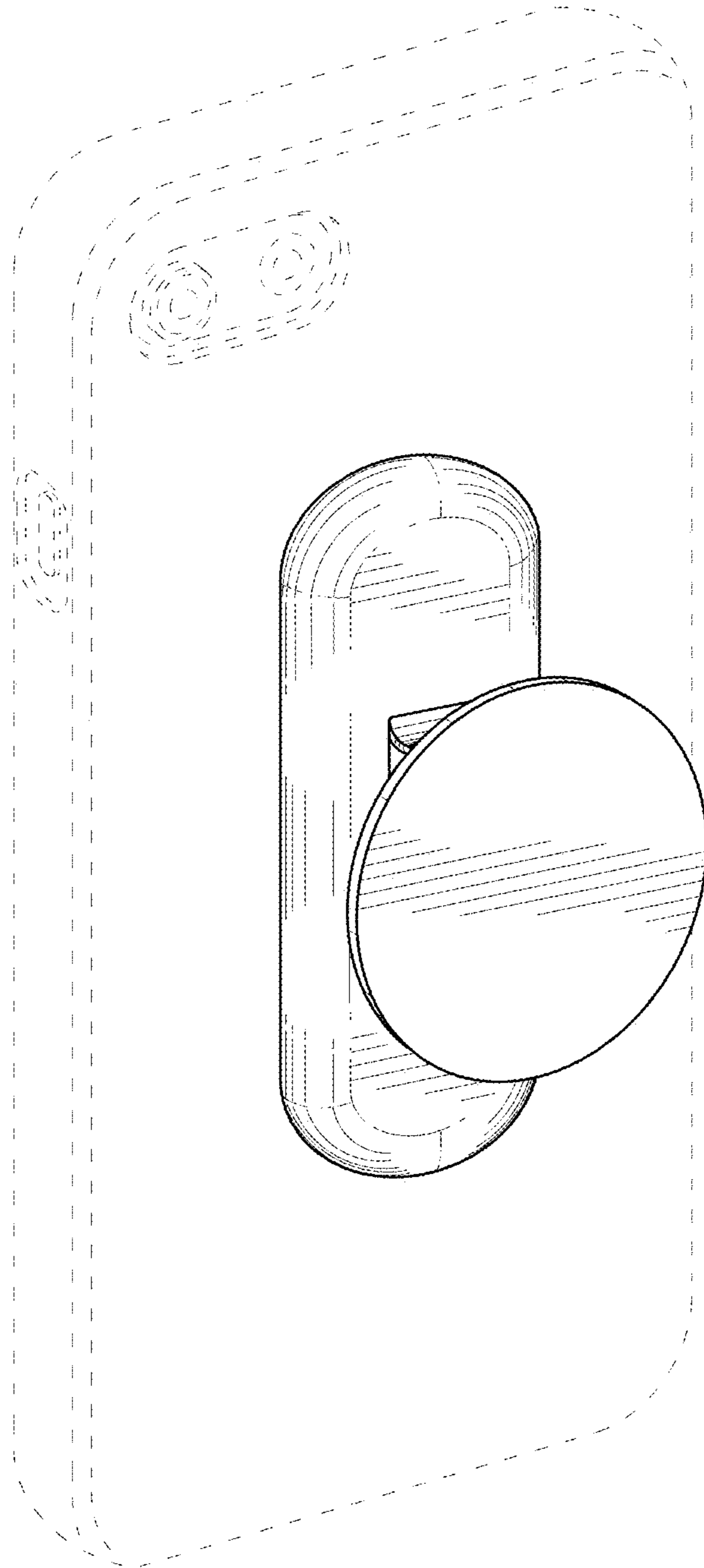


FIG. 7

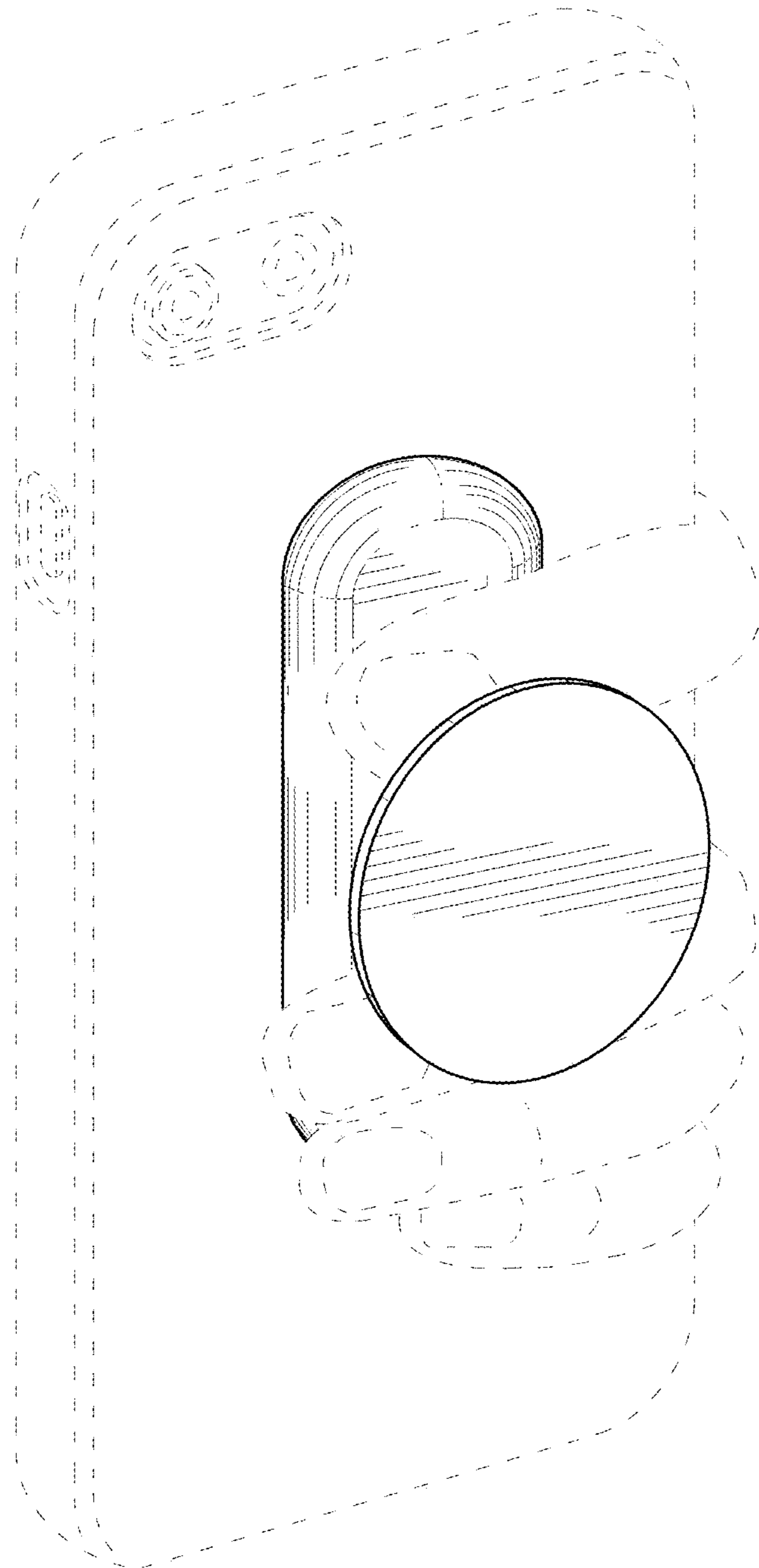


FIG. 8

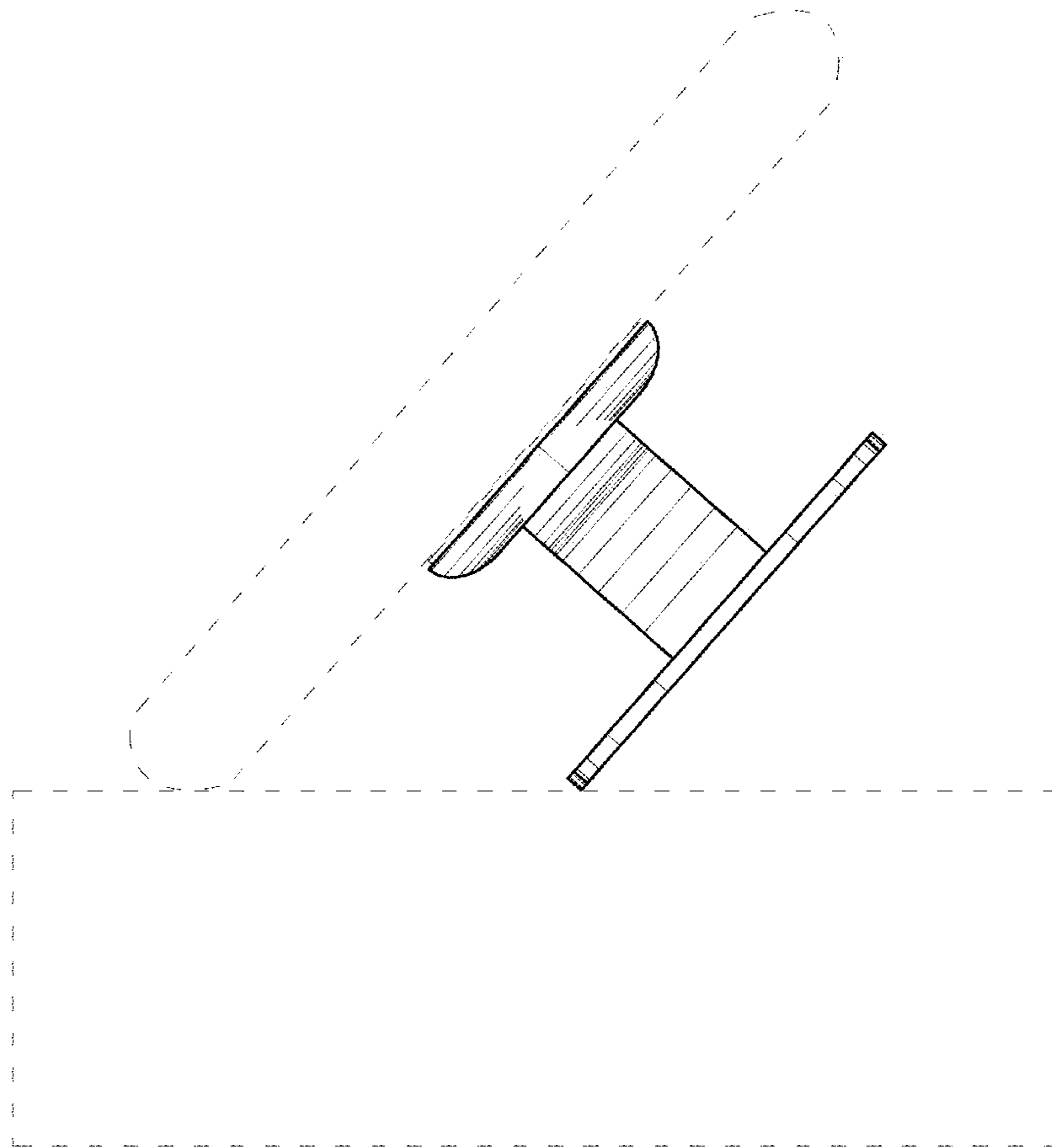


FIG. 9