



US00D929984S

(12) **United States Design Patent**  
**Wu**

(10) **Patent No.:** **US D929,984 S**  
(45) **Date of Patent:** **\*\* Sep. 7, 2021**

- (54) **WATERPROOF PHONE CASE**
- (71) Applicant: **Dongguan Shenhai Sporting Goods Co., Ltd**, Guangdong (CN)
- (72) Inventor: **Zhidong Wu**, Guangdong (CN)
- (73) Assignee: **Dongguan Shenhai Sporting Goods Co., Ltd**, Guangdong (CN)
- (\*\*) Term: **15 Years**
- (21) Appl. No.: **29/763,857**
- (22) Filed: **Dec. 24, 2020**

- D709,059 S \* 7/2014 Kim ..... D14/250
- D709,061 S \* 7/2014 Borra ..... D14/250
- D710,839 S \* 8/2014 Chang ..... D14/250
- D722,312 S \* 2/2015 Tages ..... D14/250
- D744,471 S \* 12/2015 Fitzgerald ..... D14/250
- D748,612 S \* 2/2016 Chan ..... D14/250
- D753,099 S \* 4/2016 Kim ..... D14/250
- D759,642 S \* 6/2016 Chao ..... D14/250
- D761,774 S \* 7/2016 Liang ..... D14/250
- D764,449 S \* 8/2016 Chan ..... D14/250
- D765,627 S \* 9/2016 Watt ..... D14/250
- D765,629 S \* 9/2016 Watt ..... D14/250
- D788,758 S \* 6/2017 Liu ..... D14/250
- 9,723,115 B2 \* 8/2017 Abdullahi ..... H04M 1/027
- D798,287 S \* 9/2017 Wright ..... D14/250
- D800,712 S \* 10/2017 Lai ..... D14/250

(Continued)

(30) **Foreign Application Priority Data**

Nov. 30, 2020 (CN) ..... 202030731151.0

- (51) **LOC (13) Cl.** ..... **14-03**
- (52) **U.S. Cl.**  
USPC ..... **D14/250**

- (58) **Field of Classification Search**  
USPC ..... D14/203.3-203.7, 439, 251-253, 447,  
D14/217, 240, 238.1, 250, 440, 248;  
D13/107-108, 103, 119; D3/201, 218,  
D3/247, 249, 269, 273, 301, 303  
CPC . H04B 1/3888; A45C 13/02; A45C 2011/002;  
A45C 1/06; A45C 11/00; A45F 2005/026;  
A45F 2200/0525; A45F 2200/0516;  
H04M 1/0283; H04M 1/0202  
See application file for complete search history.

(56) **References Cited**

**U.S. PATENT DOCUMENTS**

- D613,282 S \* 4/2010 Richardson ..... D14/250
- D615,535 S \* 5/2010 Richardson ..... D14/250
- D691,124 S \* 10/2013 Yang ..... D14/250
- D692,419 S \* 10/2013 Rayner ..... D14/250
- D697,060 S \* 1/2014 Yang ..... D14/250
- D697,504 S \* 1/2014 Yang ..... D14/250

**FOREIGN PATENT DOCUMENTS**

EM 003384619-0015 9/2016

*Primary Examiner* — Carla J Wright  
(74) *Attorney, Agent, or Firm* — JCIP Global Inc.

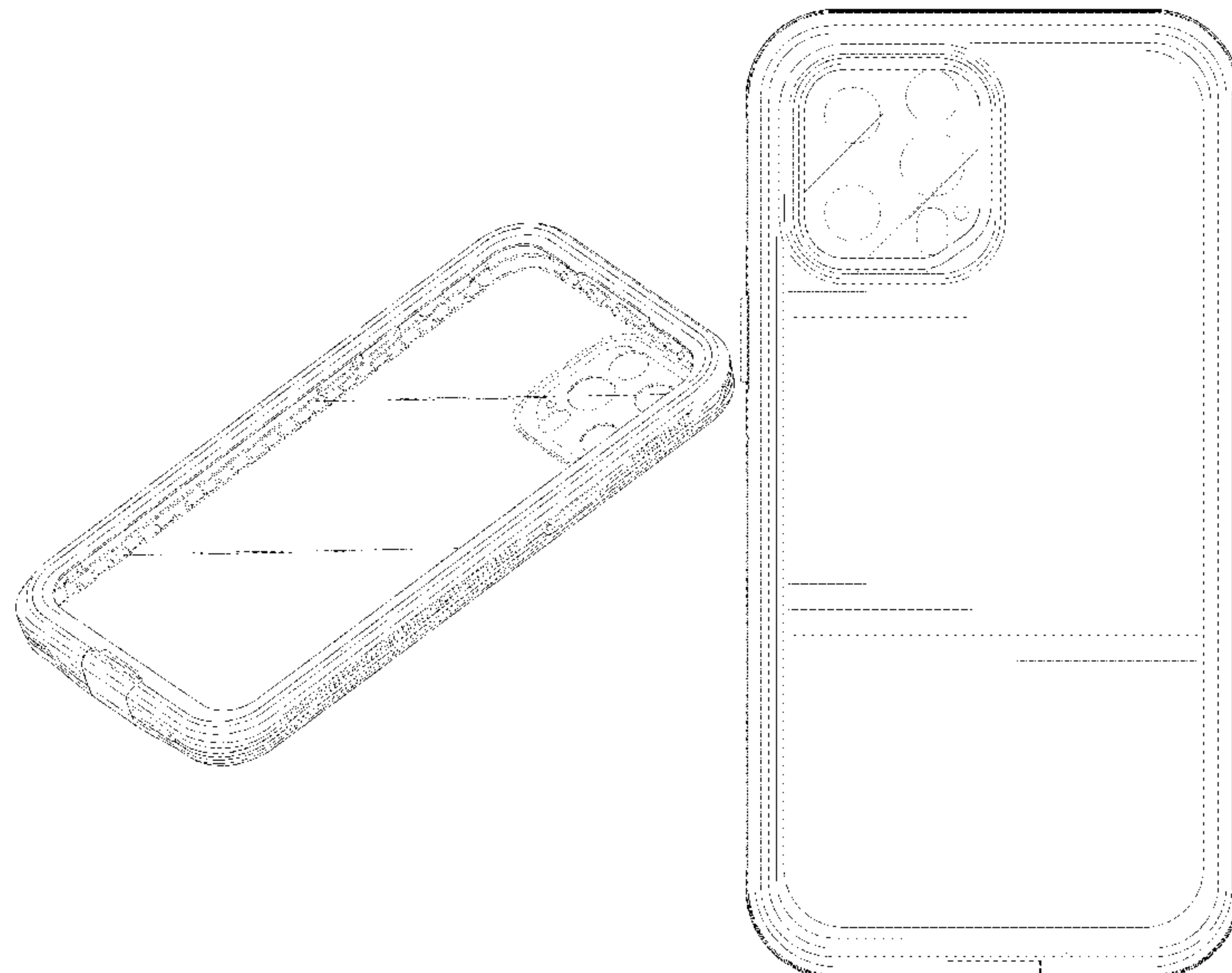
(57) **CLAIM**

The ornamental design for a waterproof phone case, as shown and described.

**DESCRIPTION**

FIG. 1 is a front, right-side, and bottom perspective view of a waterproof phone case showing my new design; FIG. 2 is rear, left-side, and bottom perspective view thereof; FIG. 3 is a front view thereof; FIG. 4 is a rear view thereof; FIG. 5 is a left side view thereof; FIG. 6 is a right side view thereof; FIG. 7 is a top view thereof; and, FIG. 8 is a bottom view thereof. The broken line portions of the waterproof phone case in FIGS. 1-8 form no part of the claimed design.

**1 Claim, 6 Drawing Sheets**



(56)

**References Cited**

U.S. PATENT DOCUMENTS

D851,640 S 6/2019 Malak et al.  
10,362,847 B1 \* 7/2019 Okada ..... H04B 1/3888  
D877,725 S \* 3/2020 Ashley ..... D14/250  
D895,598 S 9/2020 Kim  
D895,626 S \* 9/2020 Akana ..... D14/439  
D899,415 S 10/2020 Kwak et al.  
D901,479 S \* 11/2020 Altschul ..... D14/250  
D915,373 S \* 4/2021 Zhou ..... D14/250  
D915,386 S \* 4/2021 Zhou ..... D14/250  
2013/0271897 A1 \* 10/2013 Limber ..... H04M 1/04  
361/679.01  
2015/0136819 A1 \* 5/2015 Yang ..... A45C 11/00  
224/191  
2016/0015138 A1 \* 1/2016 Poon ..... A45C 13/008  
224/191  
2019/0379420 A1 \* 12/2019 Balourdet ..... H04M 1/185

\* cited by examiner

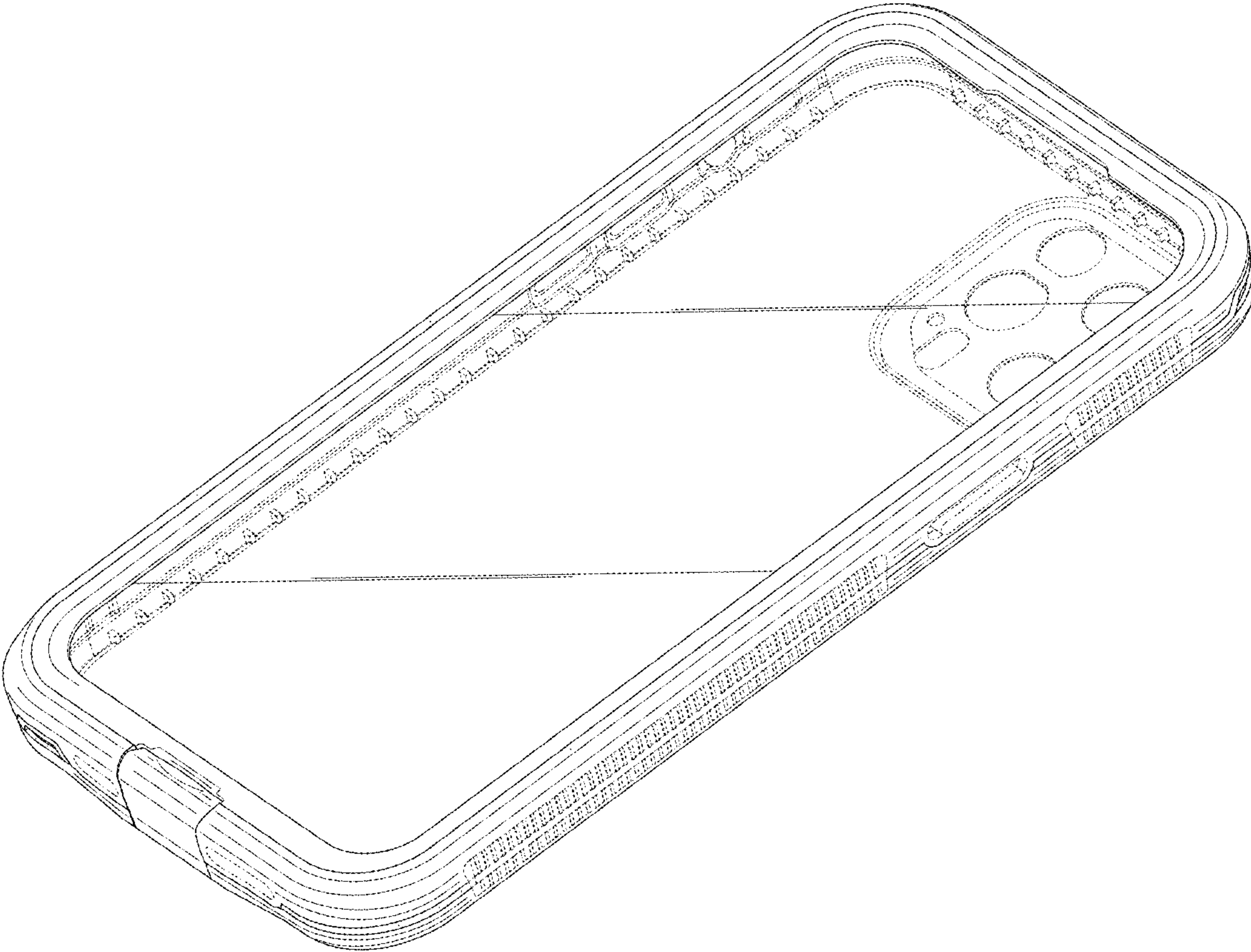


FIG. 1

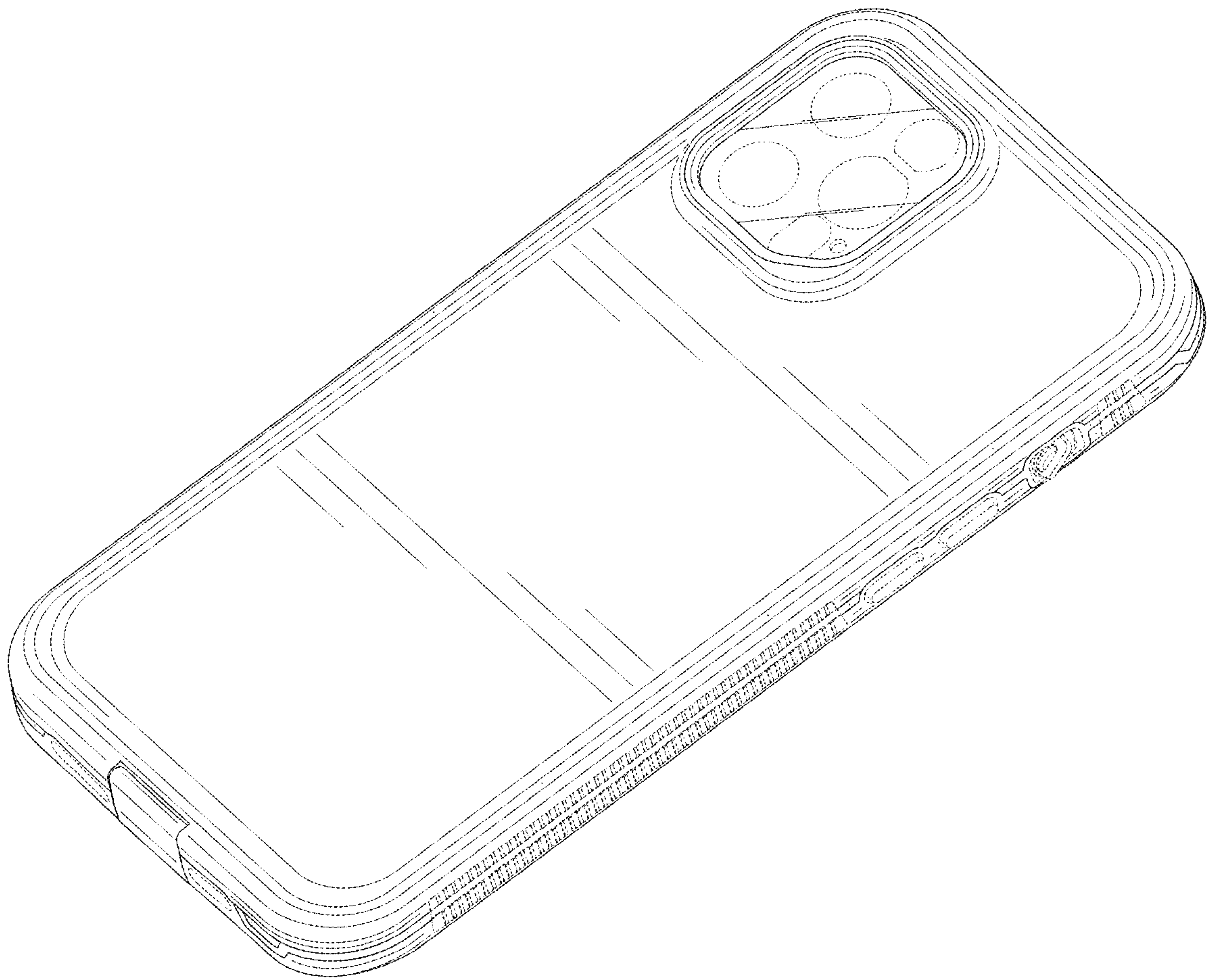


FIG. 2



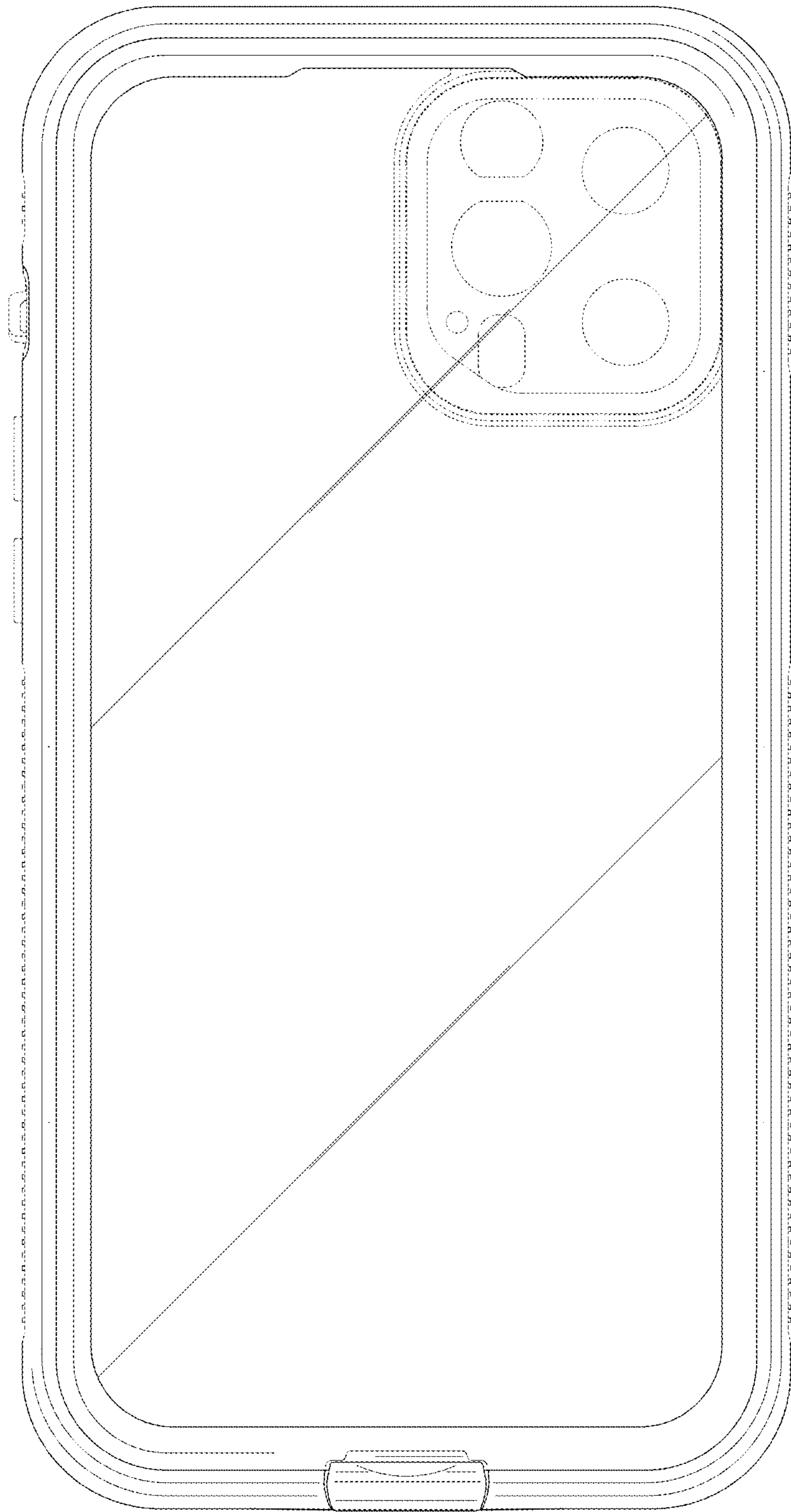


FIG. 3

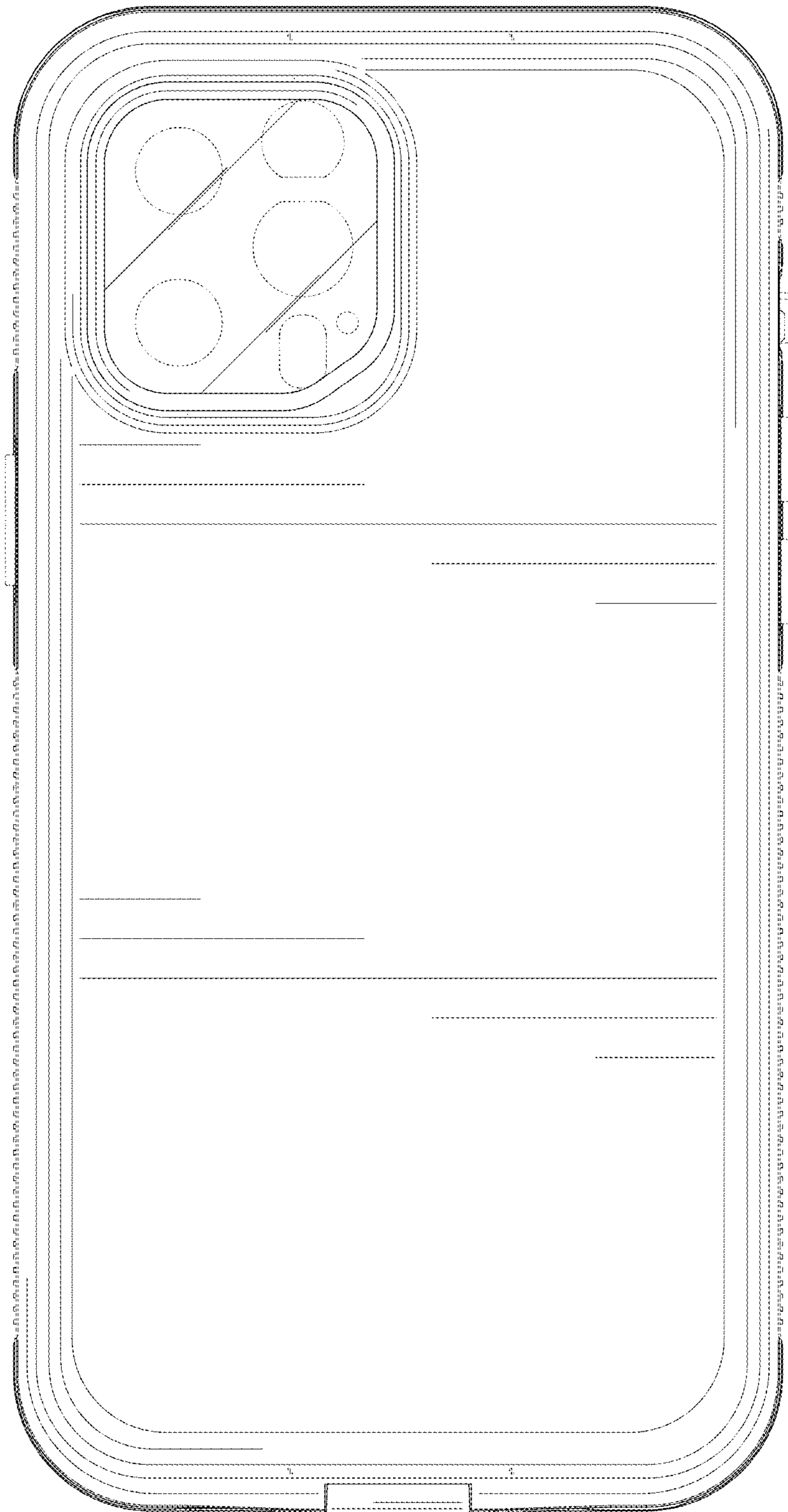


FIG. 4

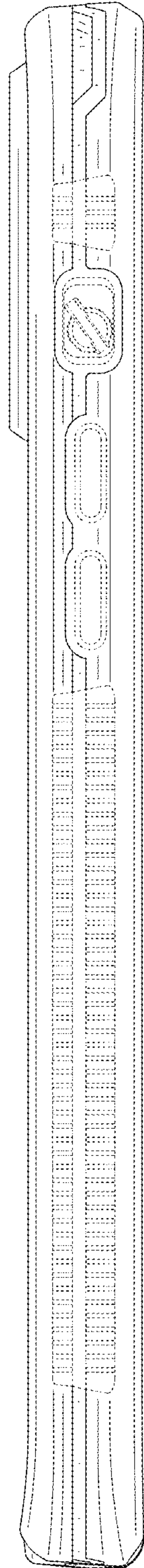


FIG. 5

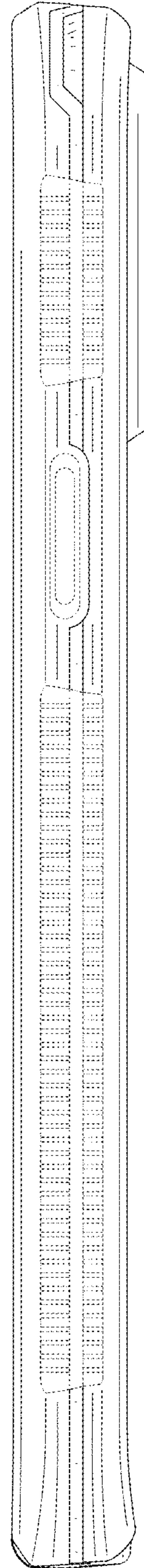


FIG. 6

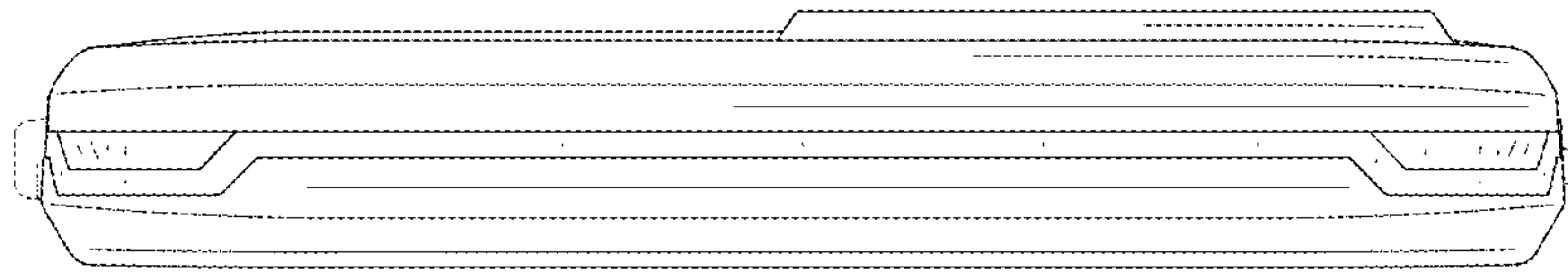


FIG. 7

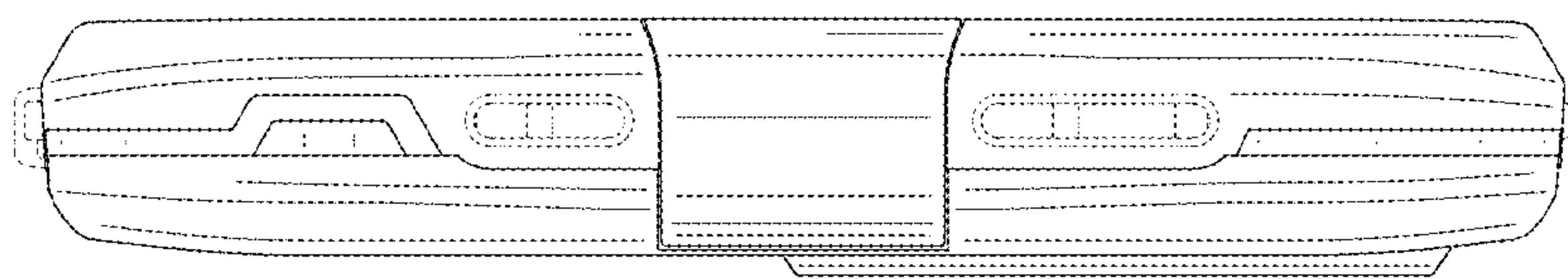


FIG. 8