



US00D929979S

(12) **United States Design Patent**
Hwang et al.

(10) **Patent No.:** **US D929,979 S**
(45) **Date of Patent:** **** Sep. 7, 2021**

- (54) **CASE FOR ELECTRONIC COMMUNICATIONS DEVICE**
- (71) Applicant: **Samsung Electronics Co., Ltd.**,
Suwon-si (KR)
- (72) Inventors: **Ji Su Hwang**, Suwon-si (KR); **Min Ah Koh**,
Suwon-si (KR); **Chong Yoon Chung**, Suwon-si (KR)
- (73) Assignee: **Samsung Electronics Co., Ltd.**,
Suwon-si (KR)
- (**) Term: **15 Years**
- (21) Appl. No.: **29/691,459**
- (22) Filed: **May 16, 2019**
- (30) **Foreign Application Priority Data**
Dec. 21, 2018 (KR) 30-2018-0060845
- (51) **LOC (13) Cl.** **14-03**
- (52) **U.S. Cl.**
USPC **D14/250**
- (58) **Field of Classification Search**
USPC D14/203.3–203.7, 439, 251–253, 447,
D14/217, 240, 238.1, 250, 440, 248;
D13/107–108, 103, 119; D3/201, 218,
D3/247, 249, 269, 273, 301, 303
CPC . H04B 1/3888; A45C 13/02; A45C 2011/002;
A45C 1/06; A45C 11/00; A45F 2005/026;
A45F 2200/0525; A45F 2200/0516;
H04M 1/0283; H04M 1/0202
See application file for complete search history.

(56) **References Cited**

U.S. PATENT DOCUMENTS

- D414,033 S * 9/1999 Rohm D3/249
- D670,293 S * 11/2012 Shimizu D14/440
- D727,331 S * 4/2015 Curran-Blaney D14/440

- D729,812 S * 5/2015 Ahn D14/440
- 9,118,390 B2 * 8/2015 Lin H04M 1/0262
- D739,408 S * 9/2015 Kim D14/440
- D744,489 S * 12/2015 Sirichai D14/440
- D748,084 S * 1/2016 Kim D14/250
- D755,168 S * 5/2016 Kim D14/250
- D757,431 S * 5/2016 Requa D3/247

(Continued)

Primary Examiner — Carla J Wright
(74) *Attorney, Agent, or Firm* — NSIP Law

(57) **CLAIM**

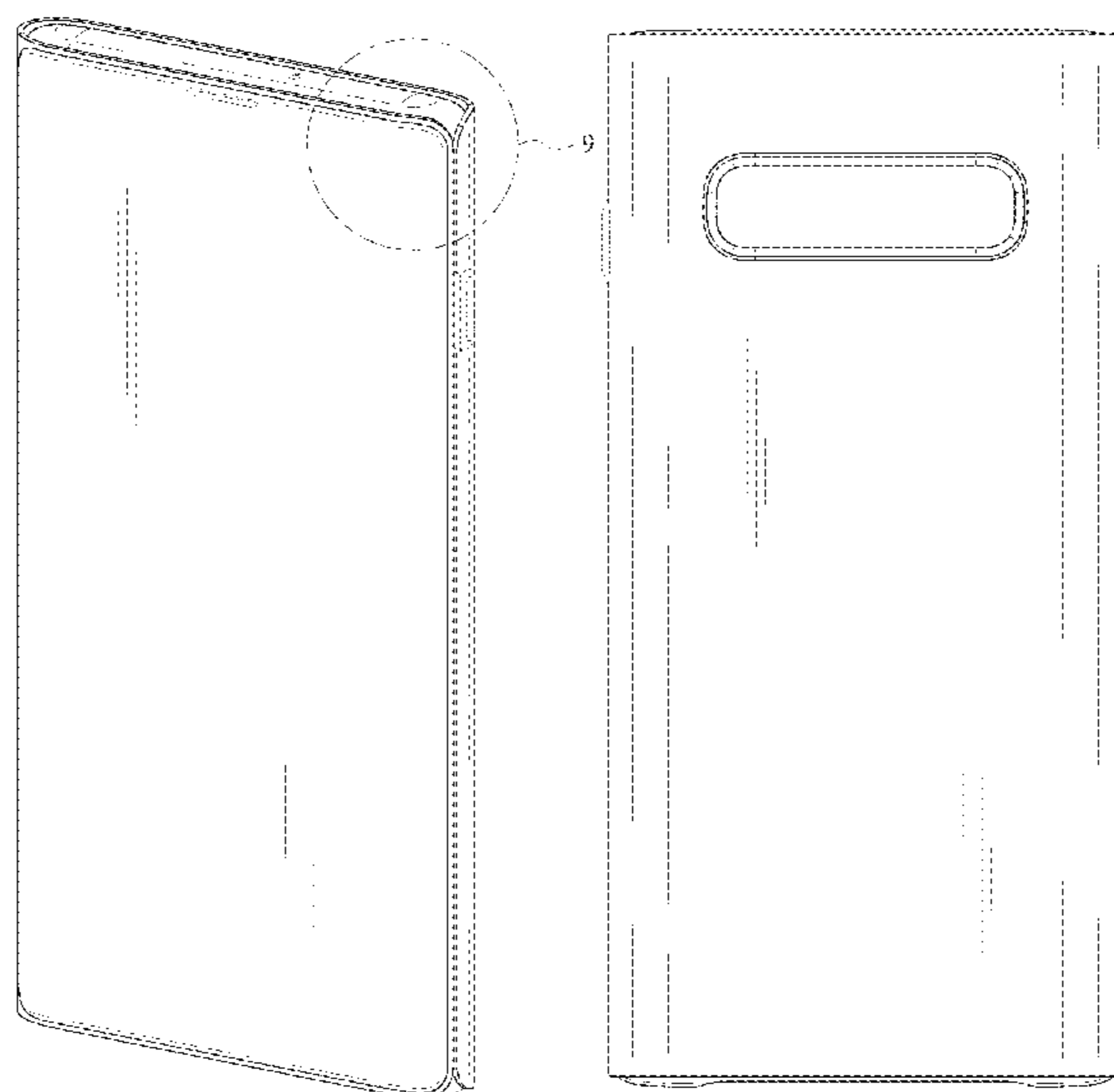
We claim the ornamental design for a case for electronic communications device, as shown and described.

DESCRIPTION

FIG. 1 is a front, right-side, and top perspective view of a case for electronic communications device showing our new design;
 FIG. 2 is a front view thereof;
 FIG. 3 is a rear view thereof;
 FIG. 4 is a left-side view thereof;
 FIG. 5 is a right-side view thereof;
 FIG. 6 is a top view thereof;
 FIG. 7 is a bottom view thereof;
 FIG. 8 is a rear, left-side, and bottom perspective view thereof;
 FIG. 9 is an enlarged view of the encircled portion in FIG. 1;
 FIG. 10 is an enlarged view of the encircled portion in FIG. 5; and,
 FIG. 11 is an enlarged view of the encircled portion in FIG. 7.

The evenly-dashed broken lines in the figures depict portions of the case for electronic communications device which form no part of the claimed design.
 The dot-dash broken lines encircling portions of the claimed design that are illustrated in enlargements form no part of the claimed design.

1 Claim, 11 Drawing Sheets



(56)

References Cited

U.S. PATENT DOCUMENTS

D765,631 S * 9/2016 Harata D14/250
D769,853 S * 10/2016 Kim D14/250
D777,159 S * 1/2017 Lee D14/250
D789,342 S * 6/2017 Sirichai D14/250
D796,515 S * 9/2017 Kim D14/440
D819,007 S * 5/2018 Kim D14/250
D822,989 S * 7/2018 Persson D3/249
D859,389 S * 9/2019 Kim D14/250
D892,125 S * 8/2020 Ham D14/440
D911,322 S * 2/2021 Jeong D14/250
2012/0085679 A1 * 4/2012 Kim A45C 3/001
206/736
2018/0191892 A1 * 7/2018 Kim H04M 1/185

* cited by examiner

FIG. 1

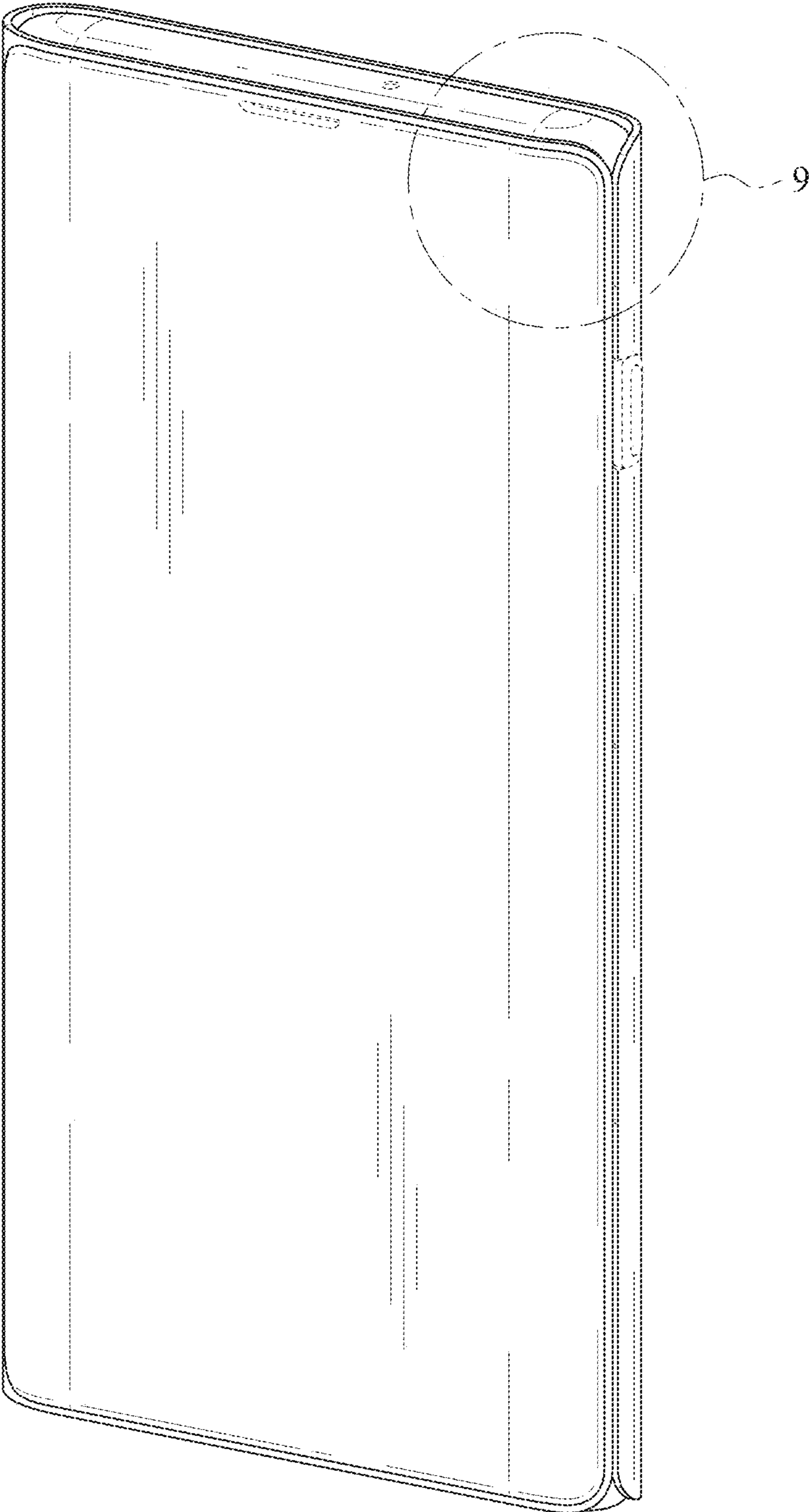


FIG. 2

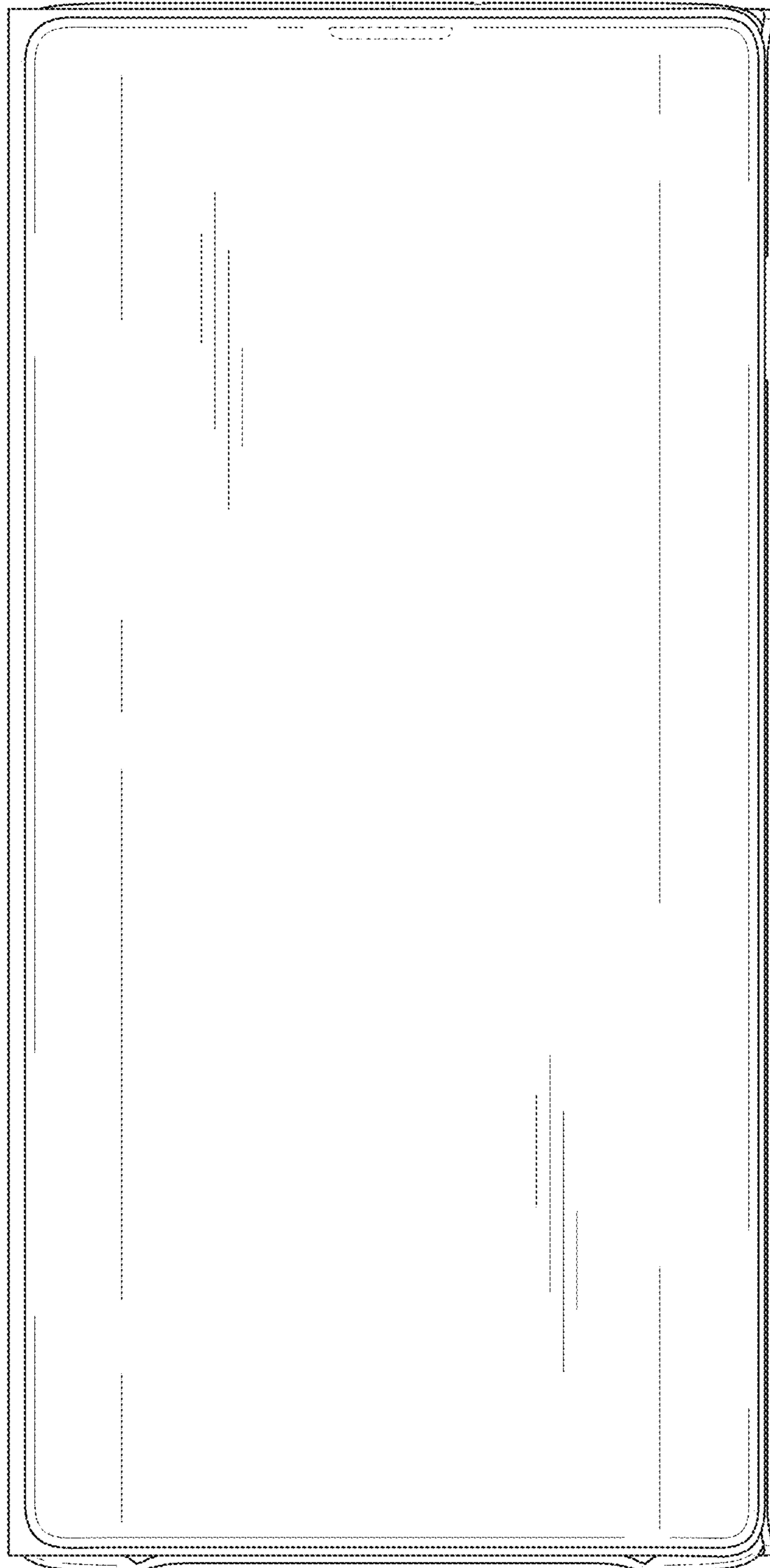


FIG. 3

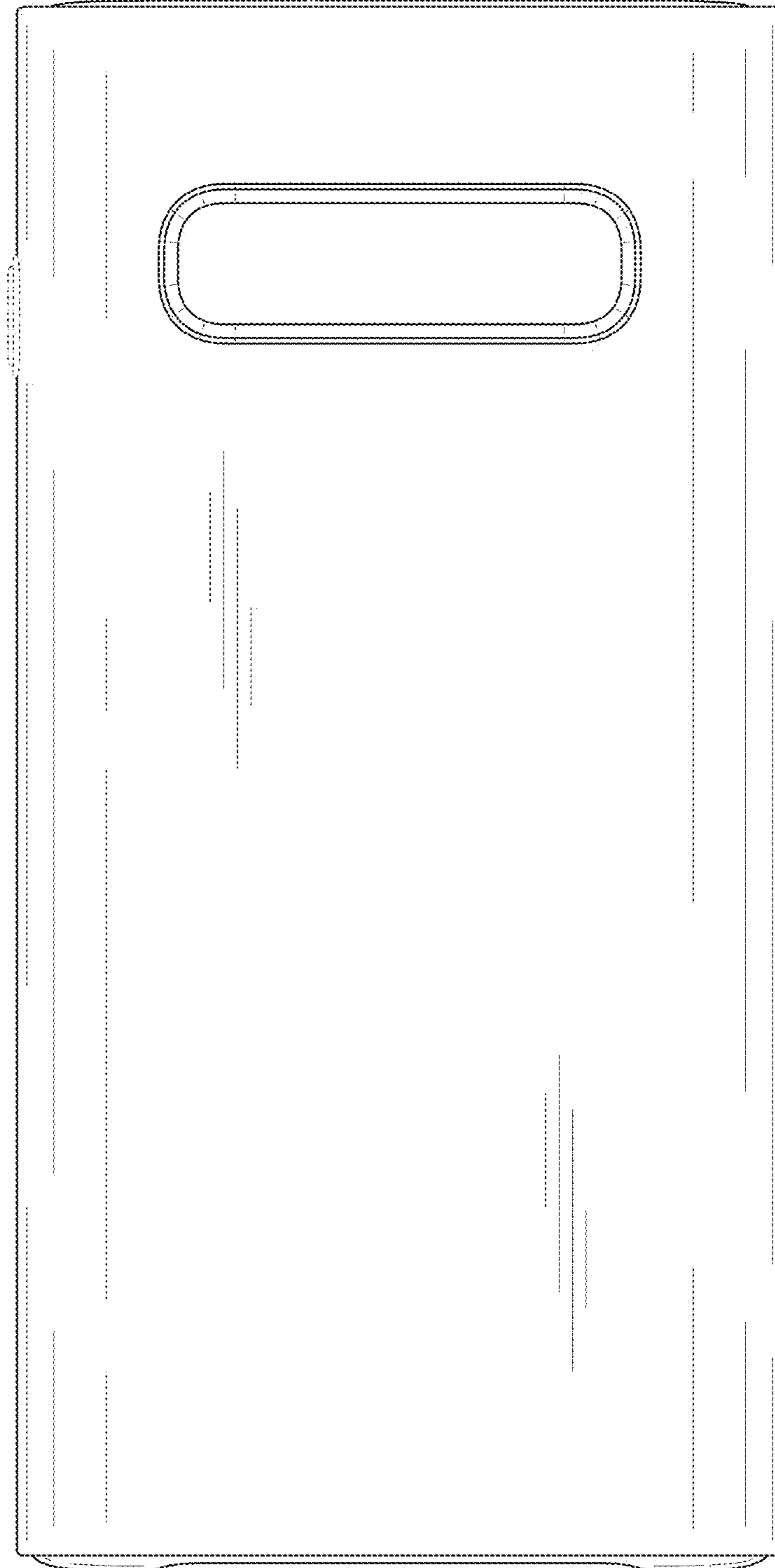


FIG. 4

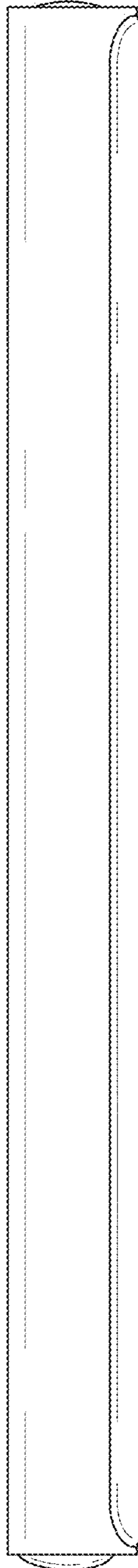


FIG. 5

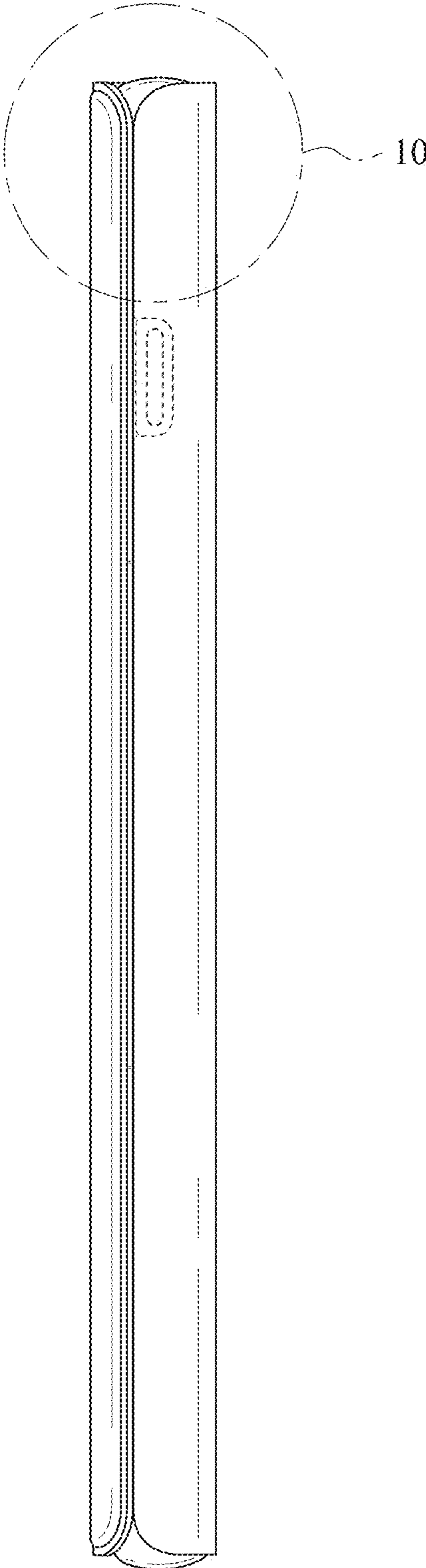


FIG. 6

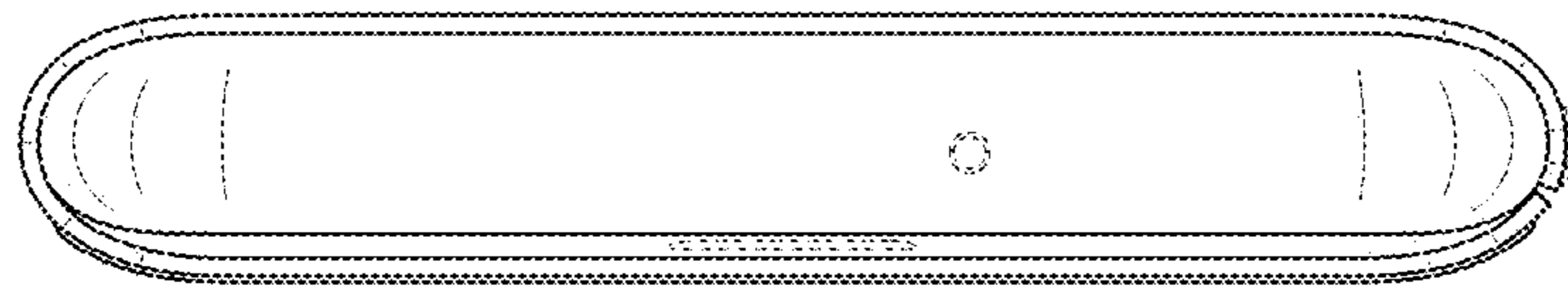


FIG. 7

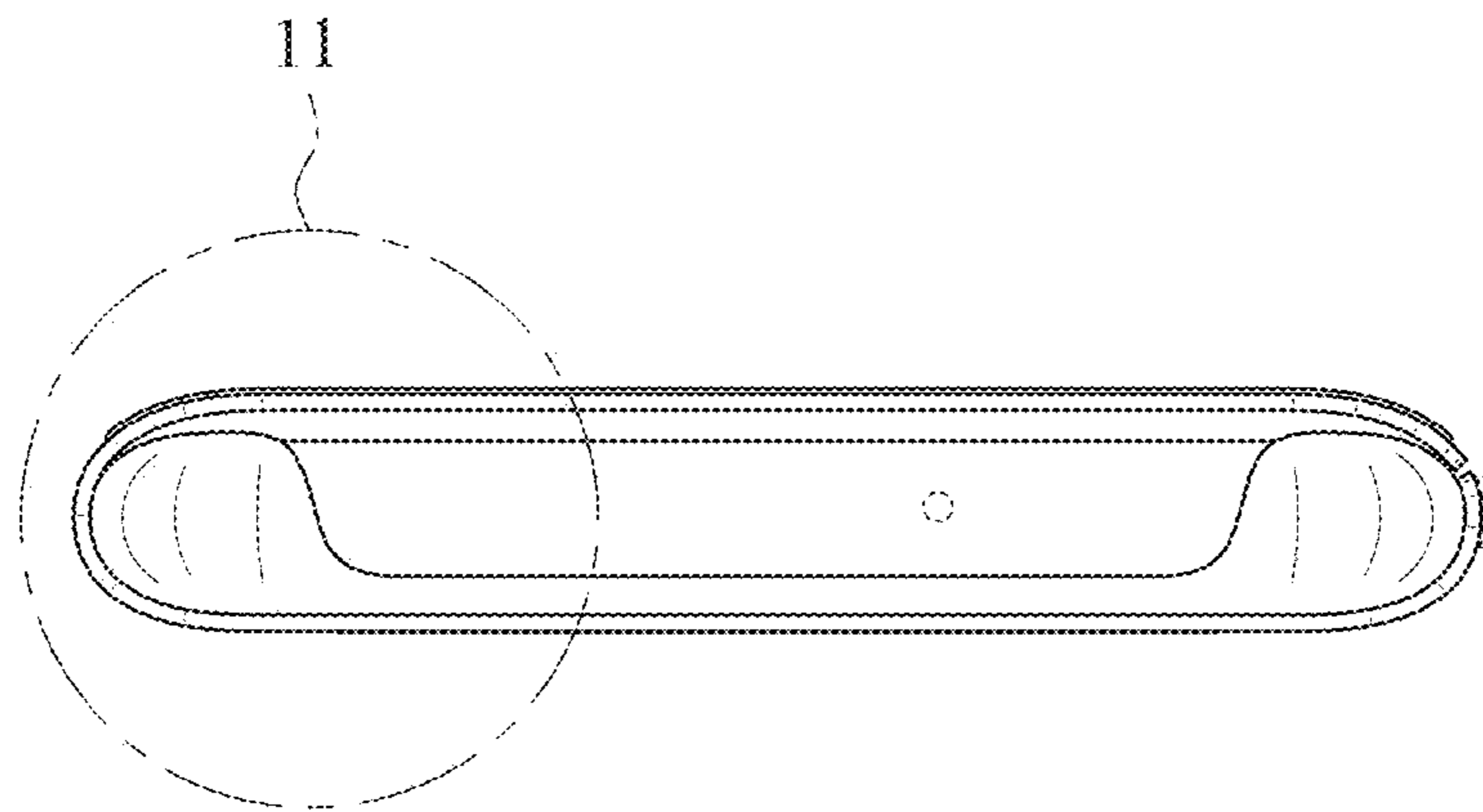


FIG. 8

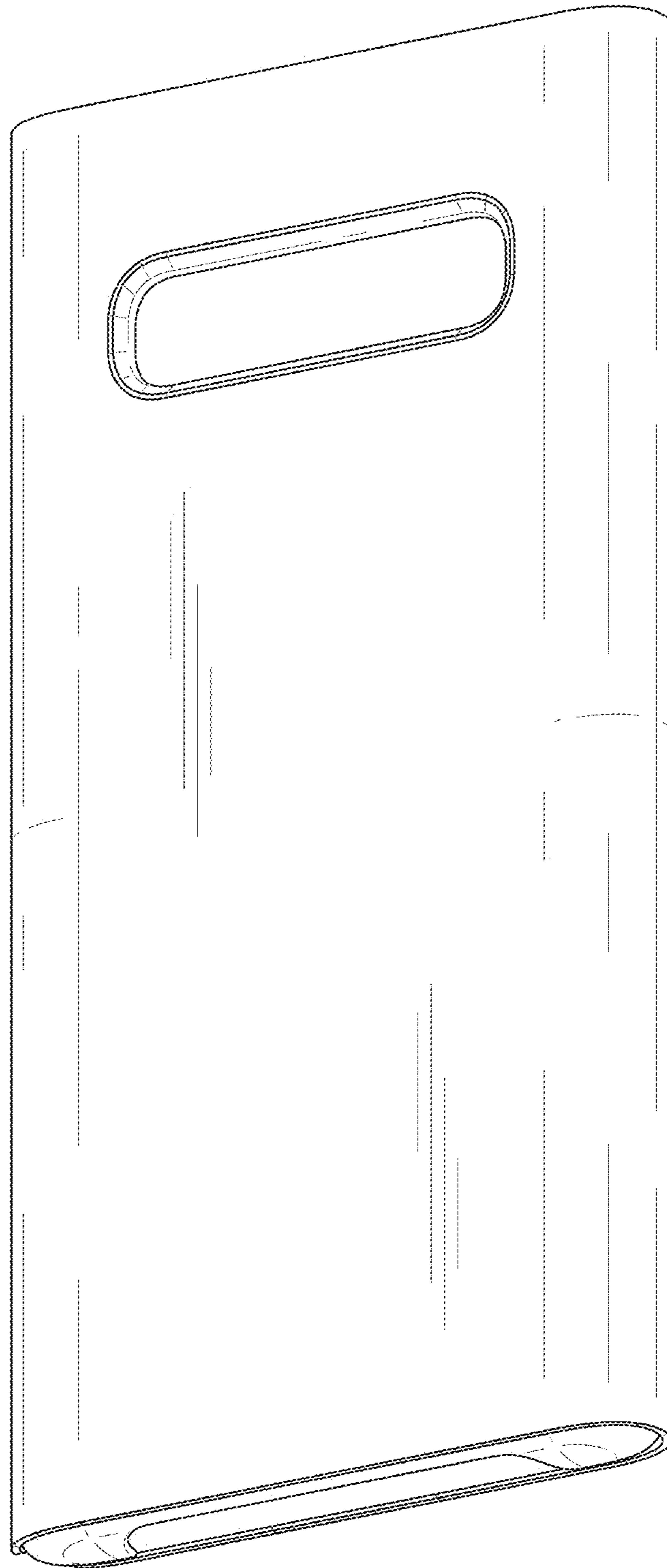


FIG. 9

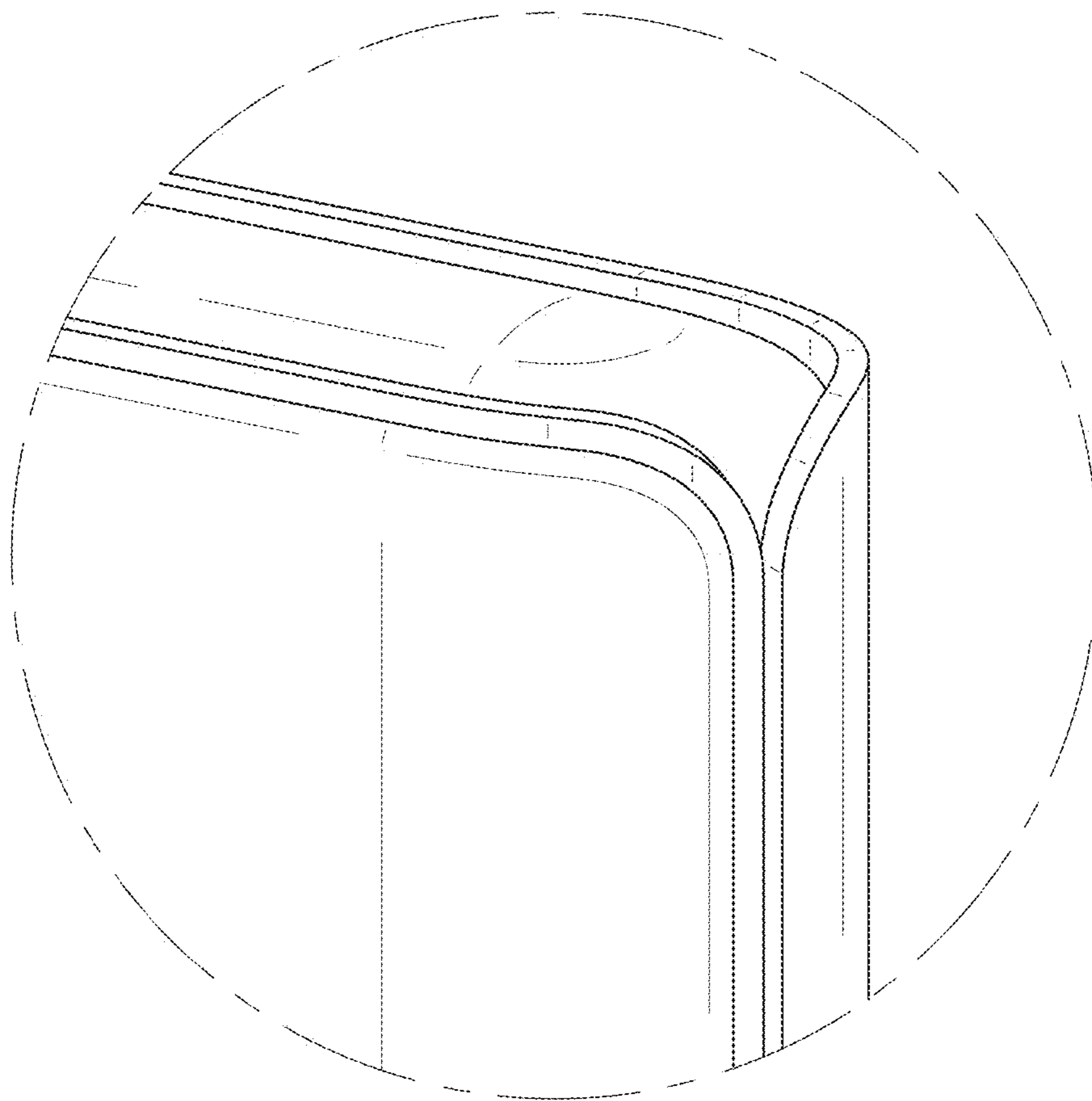


FIG. 10

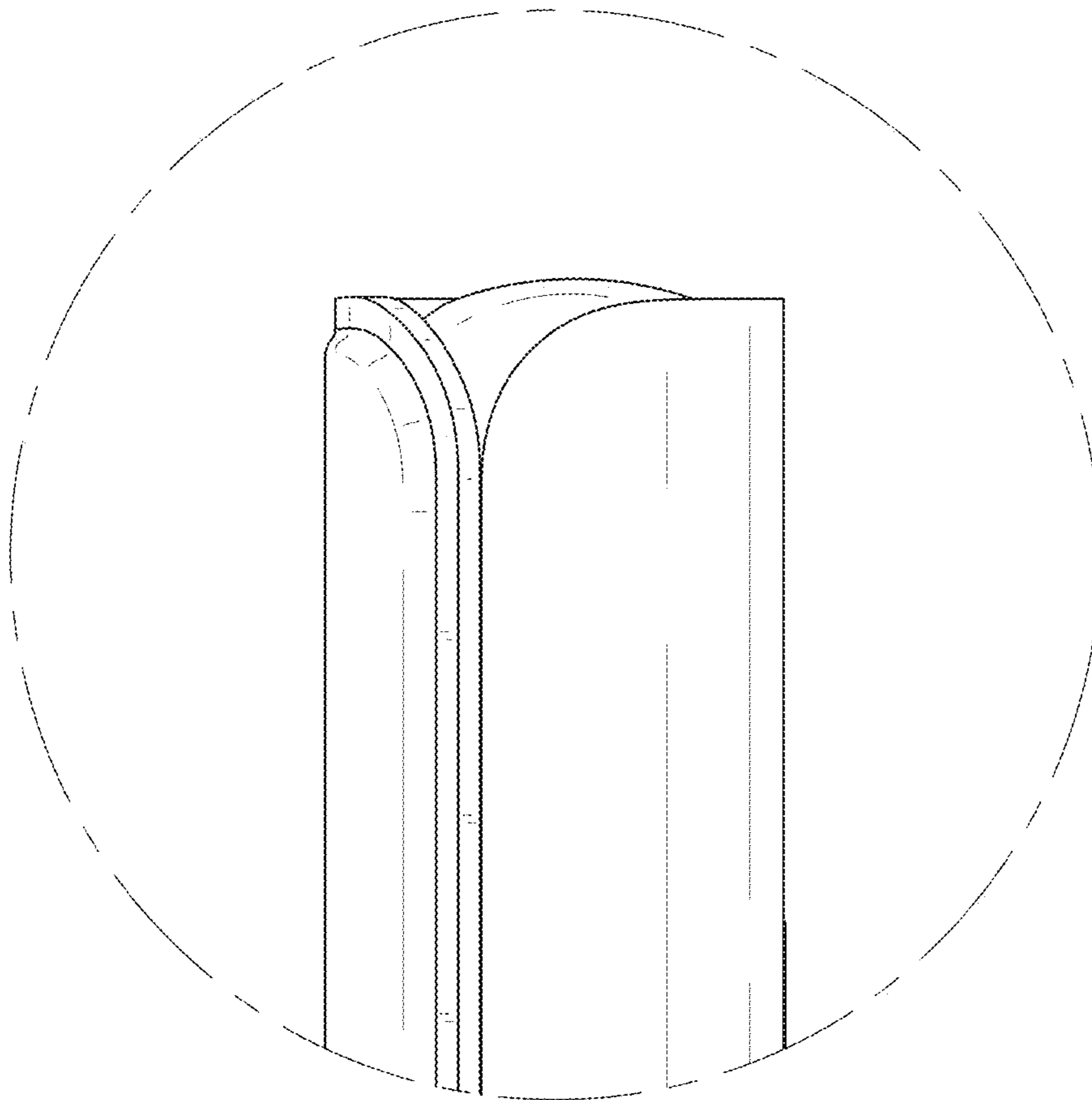


FIG. 11

