



US00D929974S

(12) **United States Design Patent**  
**Suzuki**

(10) **Patent No.:** **US D929,974 S**  
(45) **Date of Patent:** **\*\* Sep. 7, 2021**

(54) **MICROPHONE STAND**  
(71) Applicant: **Audio-Technica Corporation**, Tokyo (JP)  
(72) Inventor: **Shingo Suzuki**, Tokyo (JP)  
(73) Assignee: **AUDIO-TECHNICA CORPORATION**, Tokyo (JP)  
(\*\*) Term: **15 Years**  
(21) Appl. No.: **29/689,710**  
(22) Filed: **May 1, 2019**

2,821,879 A \* 2/1958 Sano ..... G10H 3/20  
84/743  
2,924,364 A \* 2/1960 Raguse ..... A45F 5/02  
224/197  
3,014,396 A \* 12/1961 Terlinde ..... G10H 3/16  
84/376 EA  
3,324,254 A \* 6/1967 Henryw ..... H04R 1/08  
381/363  
D213,567 S \* 3/1969 Kahn ..... D14/228  
3,783,175 A \* 1/1974 Timmons ..... A47B 21/06  
174/500  
3,787,605 A \* 1/1974 Van Gessel ..... A47B 21/06  
174/500  
3,866,473 A \* 2/1975 Teitelbaum ..... G01L 9/0002  
73/726  
3,928,734 A \* 12/1975 Noury, Jr. .... H04R 1/08  
381/364

(30) **Foreign Application Priority Data**

Nov. 13, 2018 (JP) ..... 2018-024818

(51) **LOC (13) Cl.** ..... **14-01**

(52) **U.S. Cl.**  
USPC ..... **D14/229**

(58) **Field of Classification Search**  
USPC ..... D14/225-228, 223, 142, 229; D17/3, 4,  
D17/22; 381/370, 380, 381, 326, 375,  
381/364, 363; 181/130, 135; 84/723,  
84/376 R, 376 A, 376 EA, 743; D8/396,  
D8/354, 355, 382, 387  
CPC ..... H04R 25/00; H04R 19/08; H04R 19/04;  
H04R 1/1083; H04R 1/1066; H04R 1/05;  
F16M 13/00; G10H 1/32; G10H 1/46;  
G06F 17/00  
See application file for complete search history.

(56) **References Cited**

**U.S. PATENT DOCUMENTS**

2,171,665 A \* 9/1939 Meltzer ..... A61G 7/05  
248/316.7  
2,670,870 A \* 3/1954 Fleischer ..... H01R 4/32  
220/3.94  
2,764,051 A \* 9/1956 Terlinde ..... G10H 3/12  
84/723

(Continued)

**FOREIGN PATENT DOCUMENTS**

JP D1497839 \* 4/2014

*Primary Examiner* — Paula Allen Greene  
(74) *Attorney, Agent, or Firm* — W&C IP

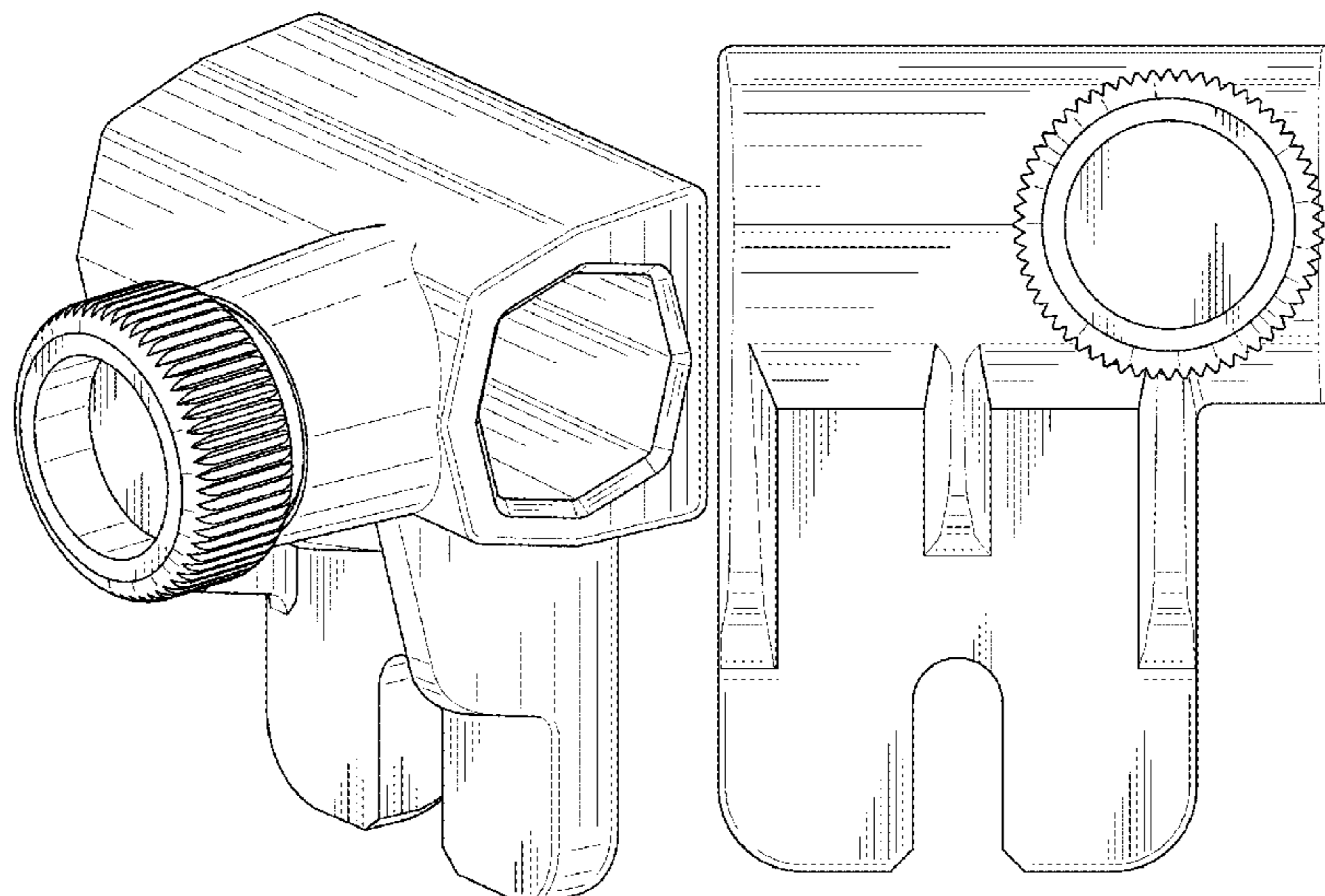
(57) **CLAIM**

The ornamental design for a microphone stand, as shown and described.

**DESCRIPTION**

FIG. 1 is a perspective view of a microphone stand;  
FIG. 2 is a front view thereof;  
FIG. 3 is a rear view thereof;  
FIG. 4 is a top plan view thereof;  
FIG. 5 is a bottom plan view thereof;  
FIG. 6 is a left side view thereof; and,  
FIG. 7 is a right side view thereof.  
The broken lines on the microphone stand represent the bounds of the claimed design; the broken lines form no part of the claimed design.

**1 Claim, 6 Drawing Sheets**



(56)

References Cited

U.S. PATENT DOCUMENTS

3,999,340 A \* 12/1976 Bogese ..... E04H 12/20  
52/147  
4,040,547 A \* 8/1977 Dickey ..... F16M 13/00  
224/247  
D247,115 S \* 1/1978 Cox ..... 381/361  
D278,233 S \* 4/1985 Hardy ..... D14/229  
4,586,221 A \* 5/1986 Wu ..... F16B 2/08  
24/535  
D296,099 S \* 6/1988 Kubota ..... D14/227  
4,788,724 A \* 12/1988 Lazzeroni ..... A42B 3/30  
2/422  
4,796,508 A \* 1/1989 Hoshino ..... F16C 11/106  
84/421  
D302,158 S \* 7/1989 Kubota ..... D14/225  
D310,083 S \* 8/1990 Lazzeroni ..... D14/225  
D350,762 S \* 9/1994 Ohno ..... D17/22  
D368,719 S \* 4/1996 Luther ..... D14/227  
5,799,096 A \* 8/1998 Liao ..... H04R 1/083  
381/355  
6,219,429 B1 \* 4/2001 Chung ..... H04R 1/08  
248/324  
D441,354 S \* 5/2001 Jing ..... D14/228

6,244,553 B1 \* 6/2001 Wang ..... B60R 11/02  
248/278.1  
D448,364 S \* 9/2001 Chung ..... D14/228  
6,290,192 B1 \* 9/2001 Messerli ..... A61M 5/1415  
248/188.5  
6,367,756 B1 \* 4/2002 Wang ..... F16M 11/10  
248/276.1  
D475,038 S \* 5/2003 Jarodsky ..... D14/228  
D475,039 S \* 5/2003 Thornton ..... D14/228  
6,671,382 B2 \* 12/2003 Chen ..... H01R 35/02  
381/189  
D507,591 S \* 7/2005 Kamijima ..... D17/22  
D563,396 S \* 3/2008 Probst ..... D14/228  
D581,971 S \* 12/2008 Nakao ..... D17/22  
D588,114 S \* 3/2009 Ollila ..... D14/225  
8,398,315 B2 \* 3/2013 Johnson ..... G03B 17/566  
396/422  
D719,140 S \* 12/2014 Sanhui ..... D14/225  
9,395,604 B1 \* 7/2016 Fanska ..... B64D 47/08  
D778,912 S \* 2/2017 Akana ..... D14/432  
9,625,089 B1 \* 4/2017 Geer ..... A47K 10/18  
D801,315 S \* 10/2017 Kallas ..... D14/229  
D889,534 S \* 7/2020 Welch ..... D17/22  
2003/0173484 A1 \* 9/2003 Hsieh ..... F16M 11/245  
248/291.1

\* cited by examiner

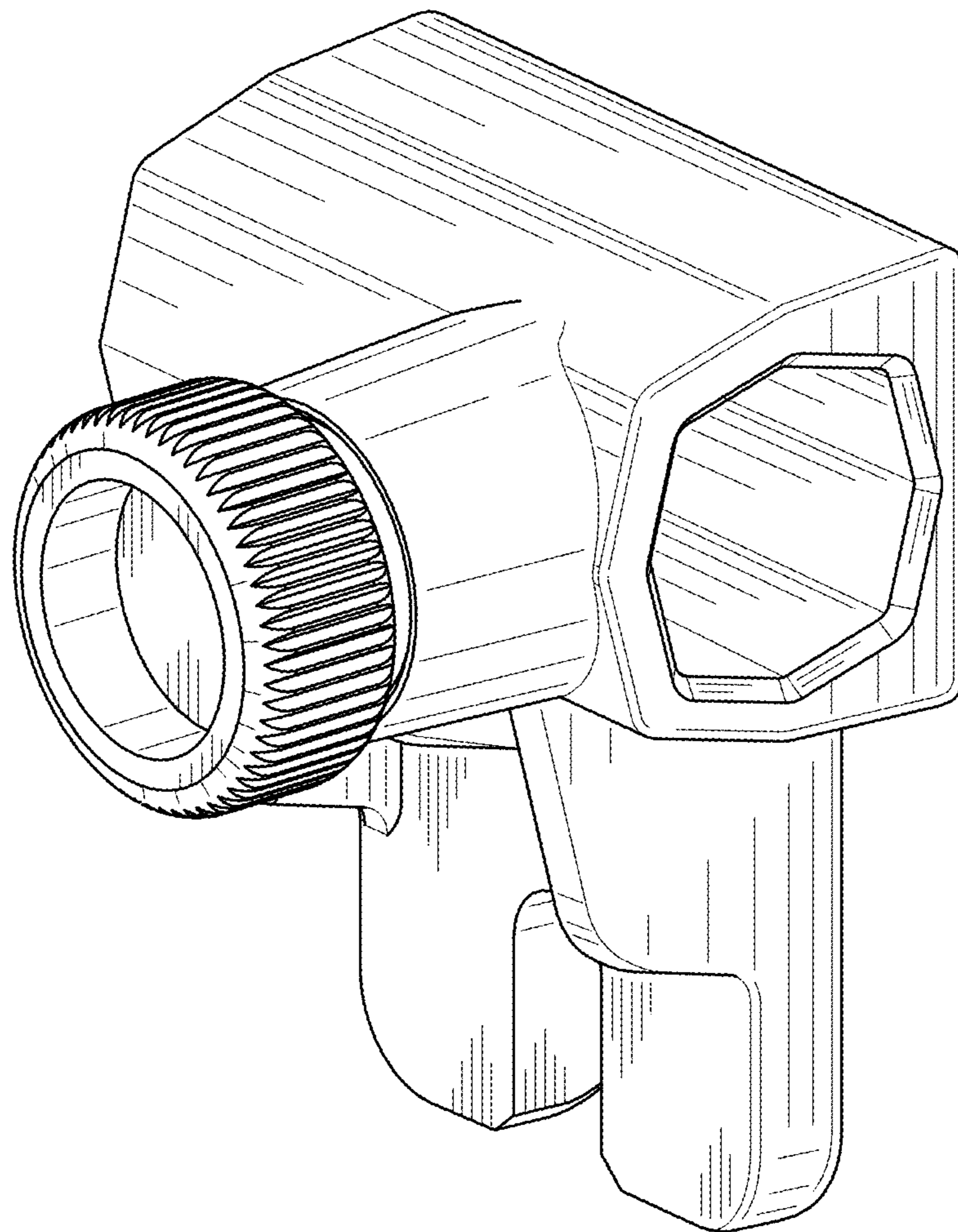


FIG. 1

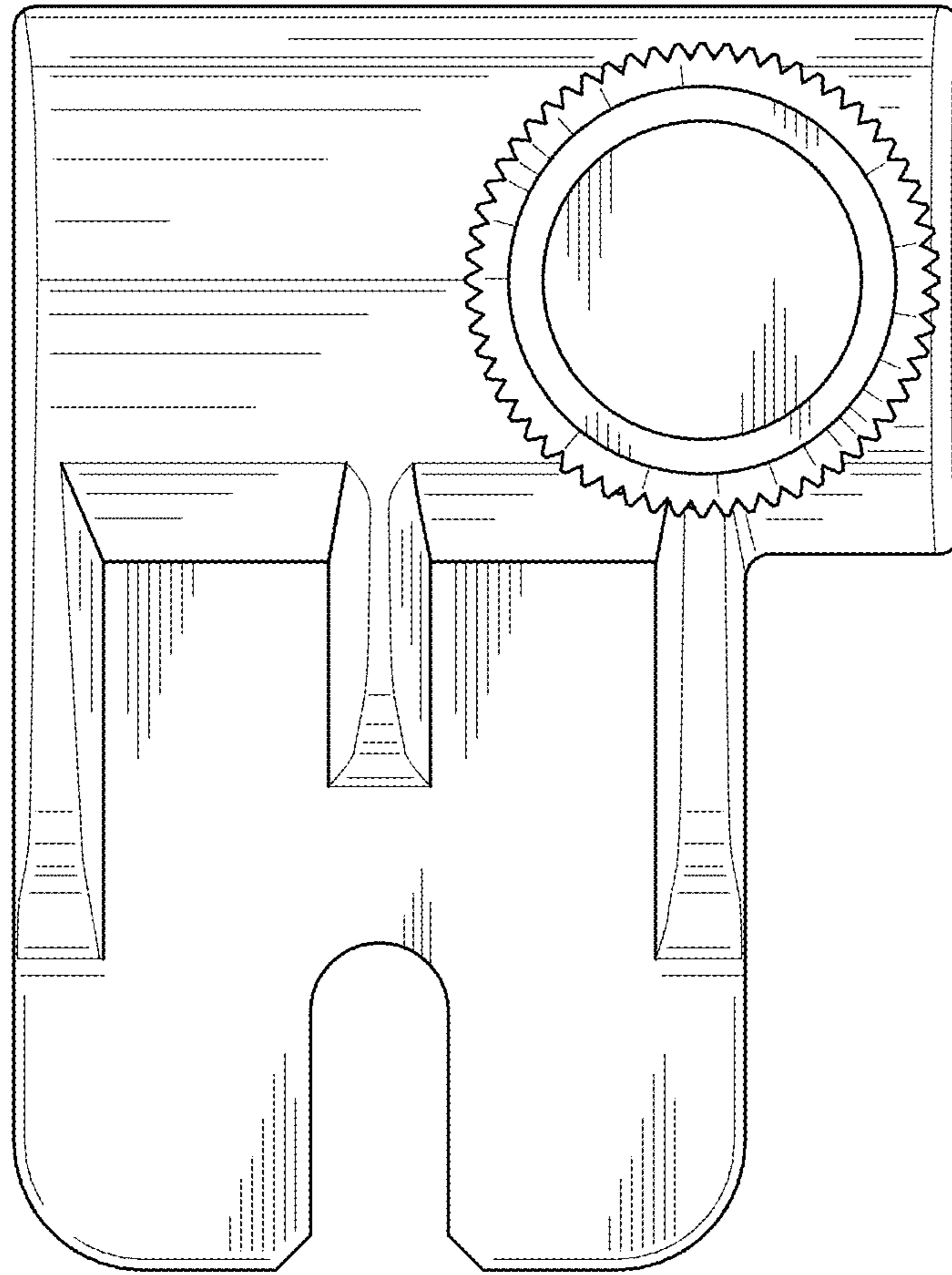


FIG. 2



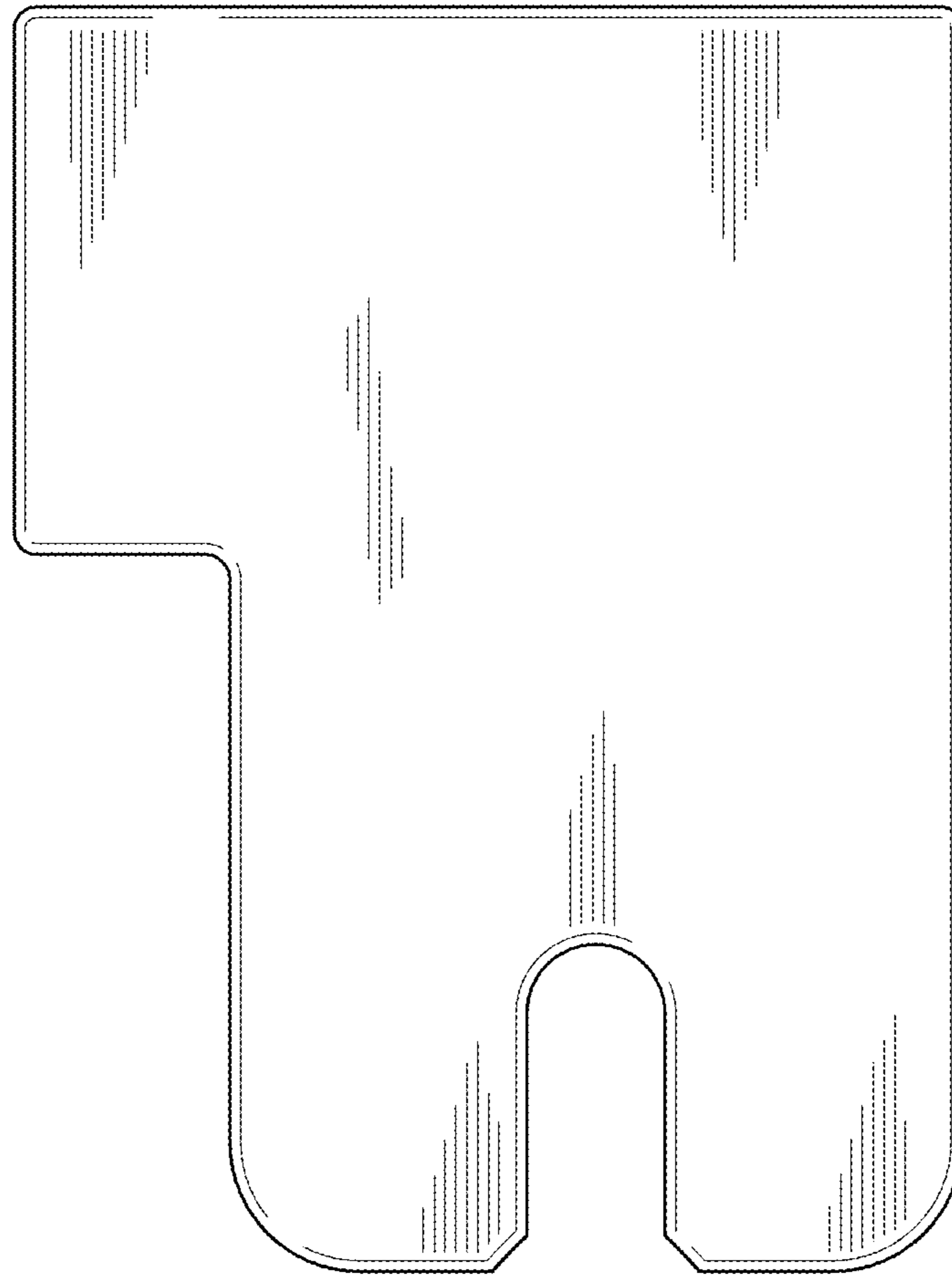


FIG. 3

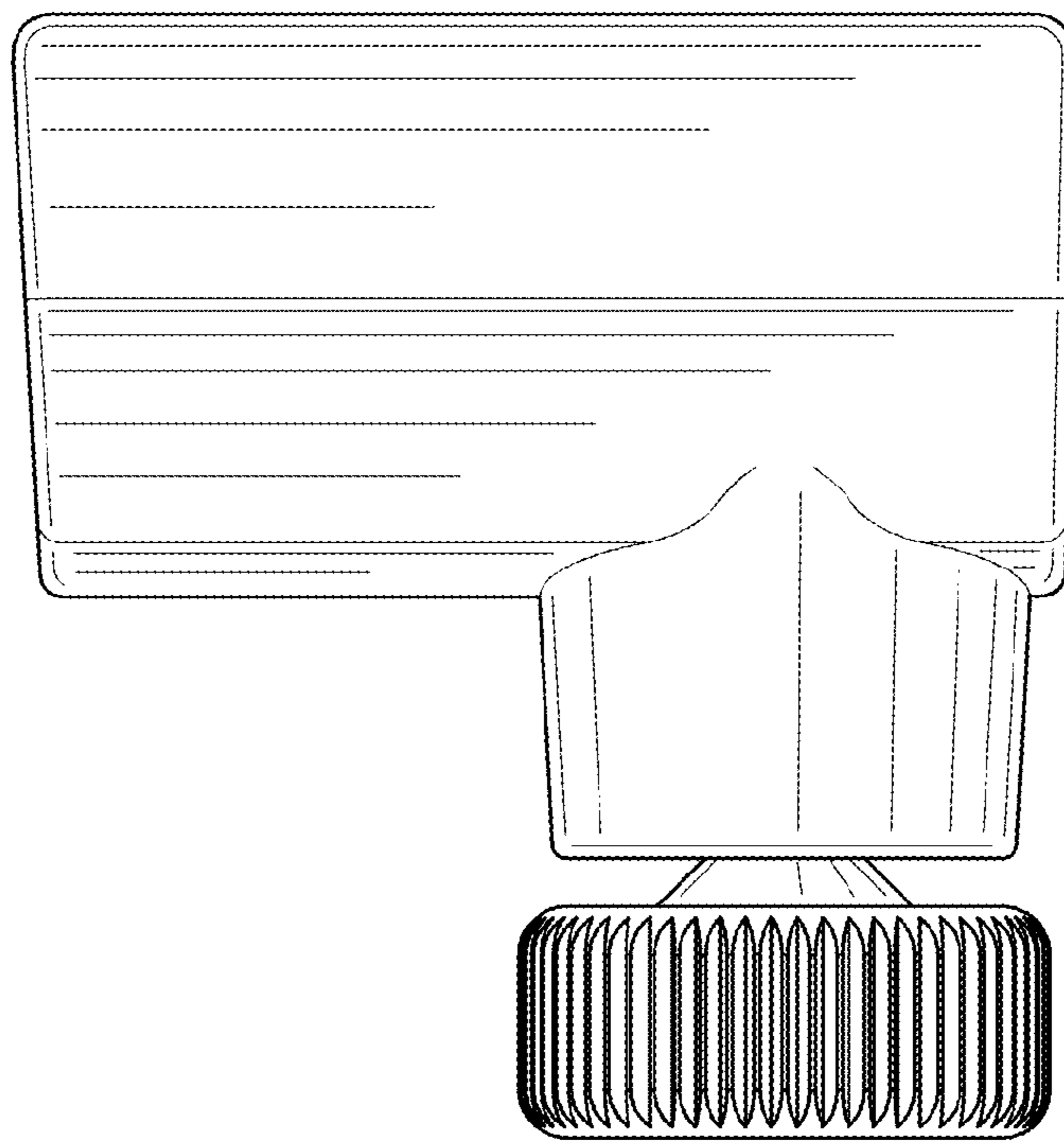


FIG. 4

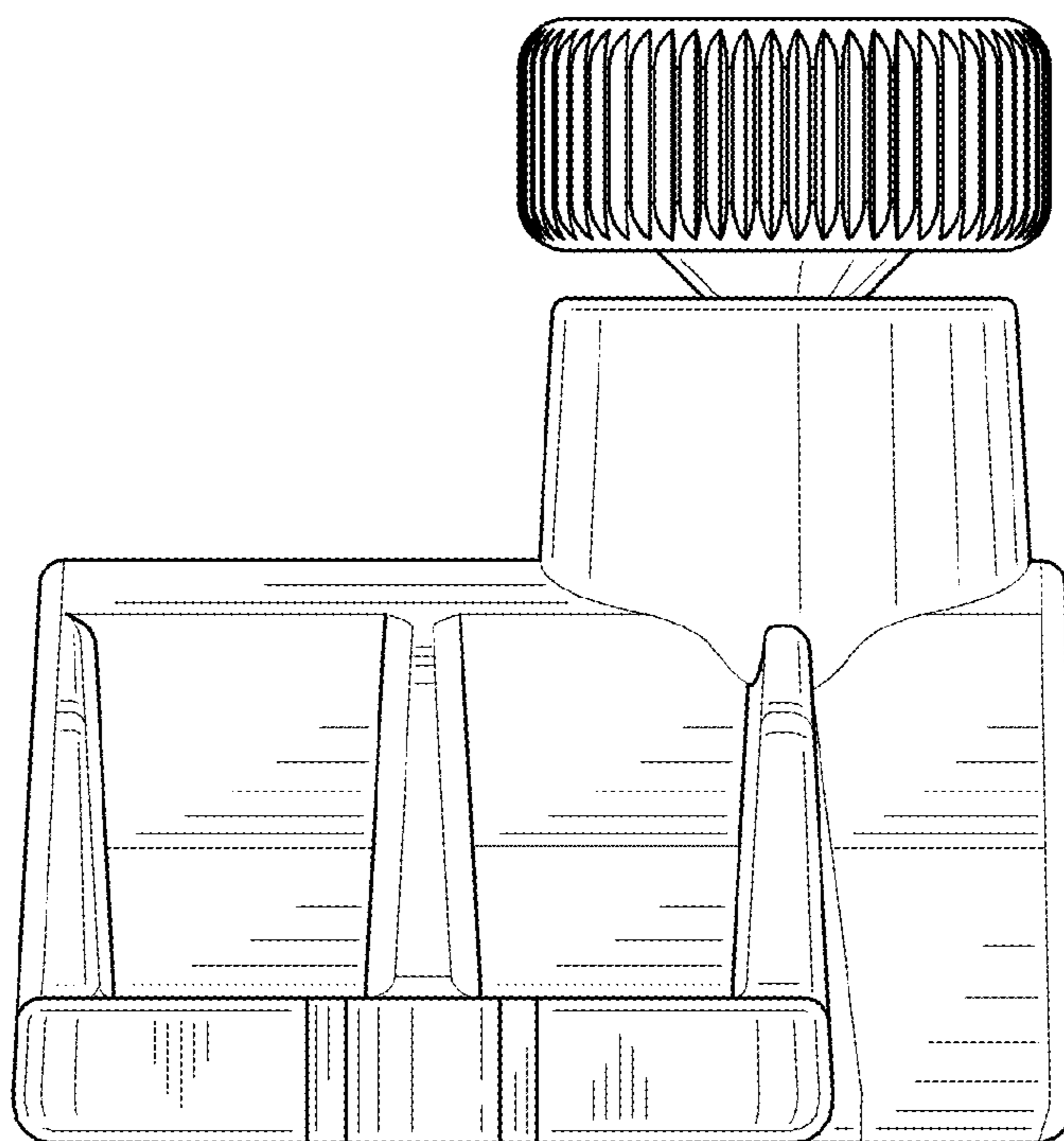


FIG. 5

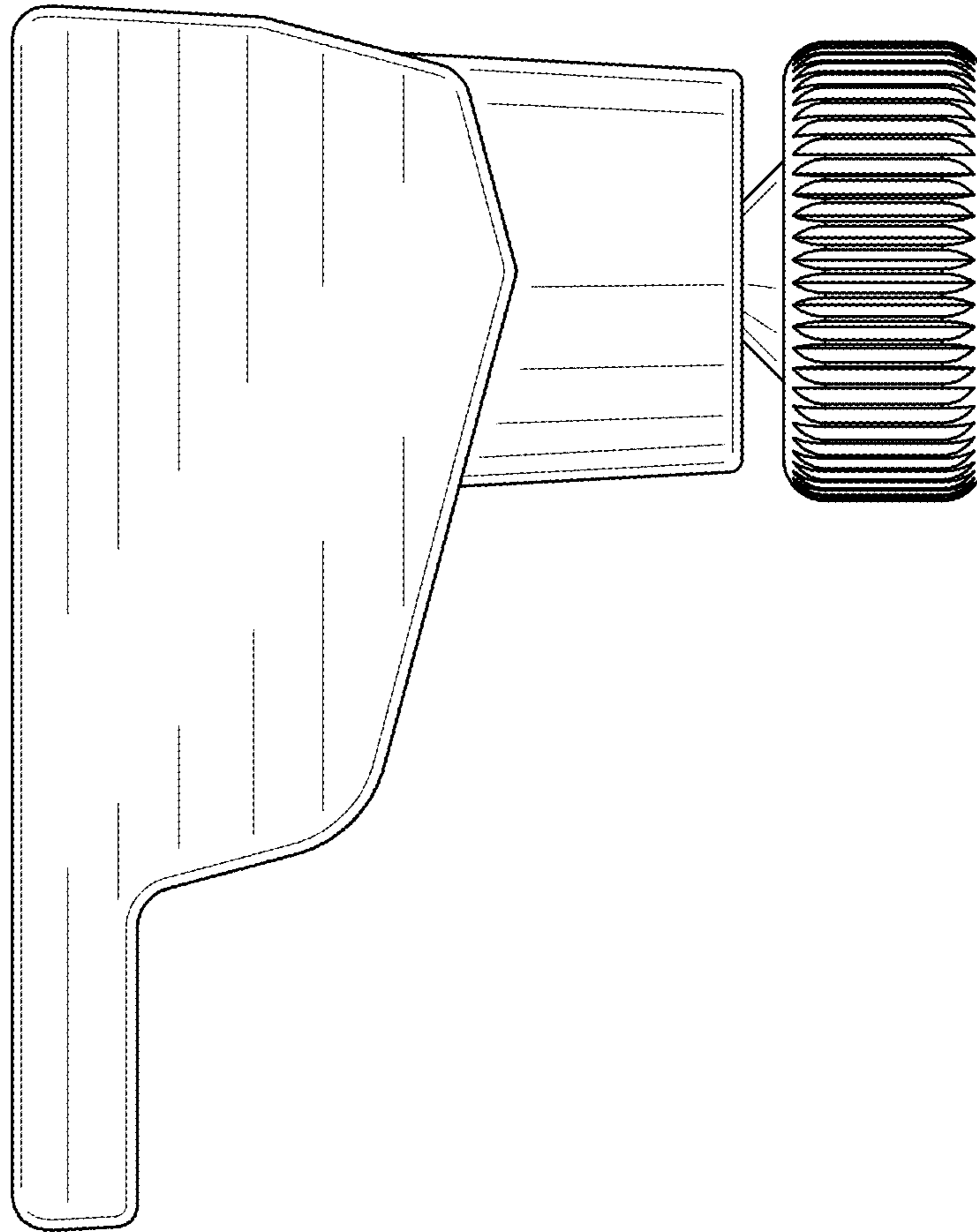


FIG. 6

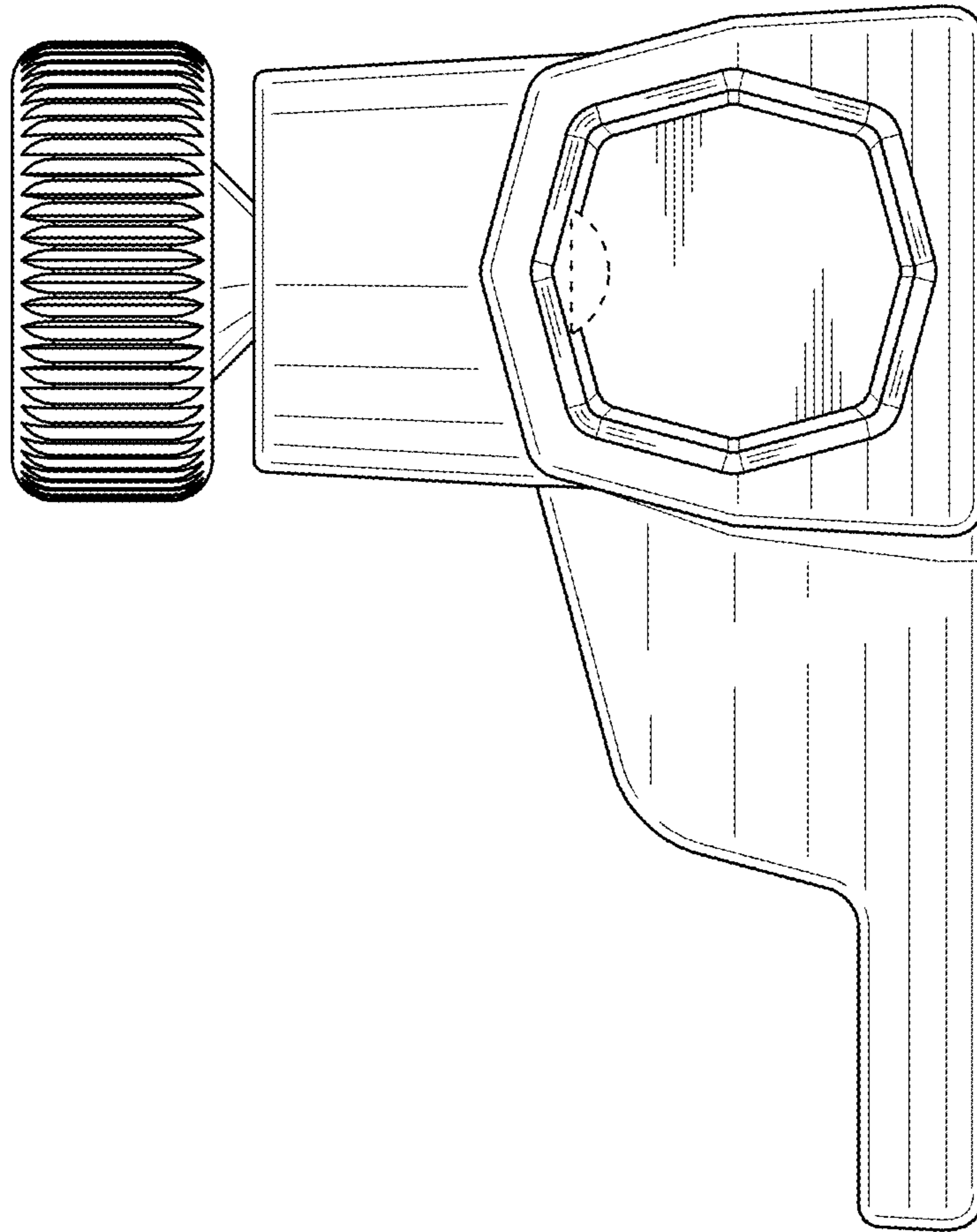


FIG. 7