



US00D929973S

(12) **United States Design Patent**
Mai

(10) **Patent No.:** **US D929,973 S**
(45) **Date of Patent:** **** Sep. 7, 2021**

(54) **MICROPHONE**

(71) Applicant: **SHENZHEN XUNWEIJIA TECHNOLOGY DEVELOPMENT CO., LTD.**, Guangdong (CN)

(72) Inventor: **Qibin Mai**, Guangdong (CN)

(73) Assignee: **SHENZHEN XUNWEIJIA TECHNOLOGY DEVELOPMENT CO., LTD.**, Guangdong (CN)

(**) Term: **15 Years**

(21) Appl. No.: **29/775,486**

(22) Filed: **Mar. 23, 2021**

(51) **LOC (13) Cl.** **14-01**

(52) **U.S. Cl.**
USPC **D14/227**; D14/229

(58) **Field of Classification Search**
USPC D14/225-229; D10/104.1; D13/108, D13/110; D21/483; 381/361-363, 365, 381/366, 355, 375, 359, 369; 248/125.1, 248/166, 185.1, 638, 618; 181/242, 182, 181/158

CPC H04R 9/08; H04R 19/02; H04R 19/04; H04R 25/00; H04R 11/04; H04R 3/00; H04R 1/08; H04R 1/20; H04R 1/02; F16M 11/16; E04B 1/82

See application file for complete search history.

(56) **References Cited**

U.S. PATENT DOCUMENTS

- 2,417,741 A * 3/1947 Dillon F16L 17/04 285/373
- 2,975,243 A * 3/1961 Katella H04R 19/02 381/191
- 3,581,354 A * 6/1971 Usiskin G01B 5/0002 24/569
- D289,138 S * 4/1987 Nead 248/62

- D309,094 S * 7/1990 Donis D23/265
- D310,368 S * 9/1990 Derhaag D14/225
- 5,355,899 A * 10/1994 Kuo-Hua A45D 8/24 132/278
- 5,444,790 A * 8/1995 Kogen H04R 1/086 381/189

(Continued)

FOREIGN PATENT DOCUMENTS

- CN 304762868 * 8/2018
- CN 306531498 * 5/2021

(Continued)

Primary Examiner — Paula Allen Greene

(74) *Attorney, Agent, or Firm* — ScienBiziP, P.C.

(57) **CLAIM**

The ornamental design for a microphone, as shown and described.

DESCRIPTION

FIG. 1 is a front, right, and top perspective view of a microphone, showing my design.

FIG. 2 is a rear, left, and bottom perspective view thereof.

FIG. 3 is a front elevation view thereof.

FIG. 4 is a rear elevation view thereof.

FIG. 5 is a left side elevation view thereof.

FIG. 6 is a right side elevation view thereof.

FIG. 7 is a top plan view thereof.

FIG. 8 is a bottom plan view thereof.

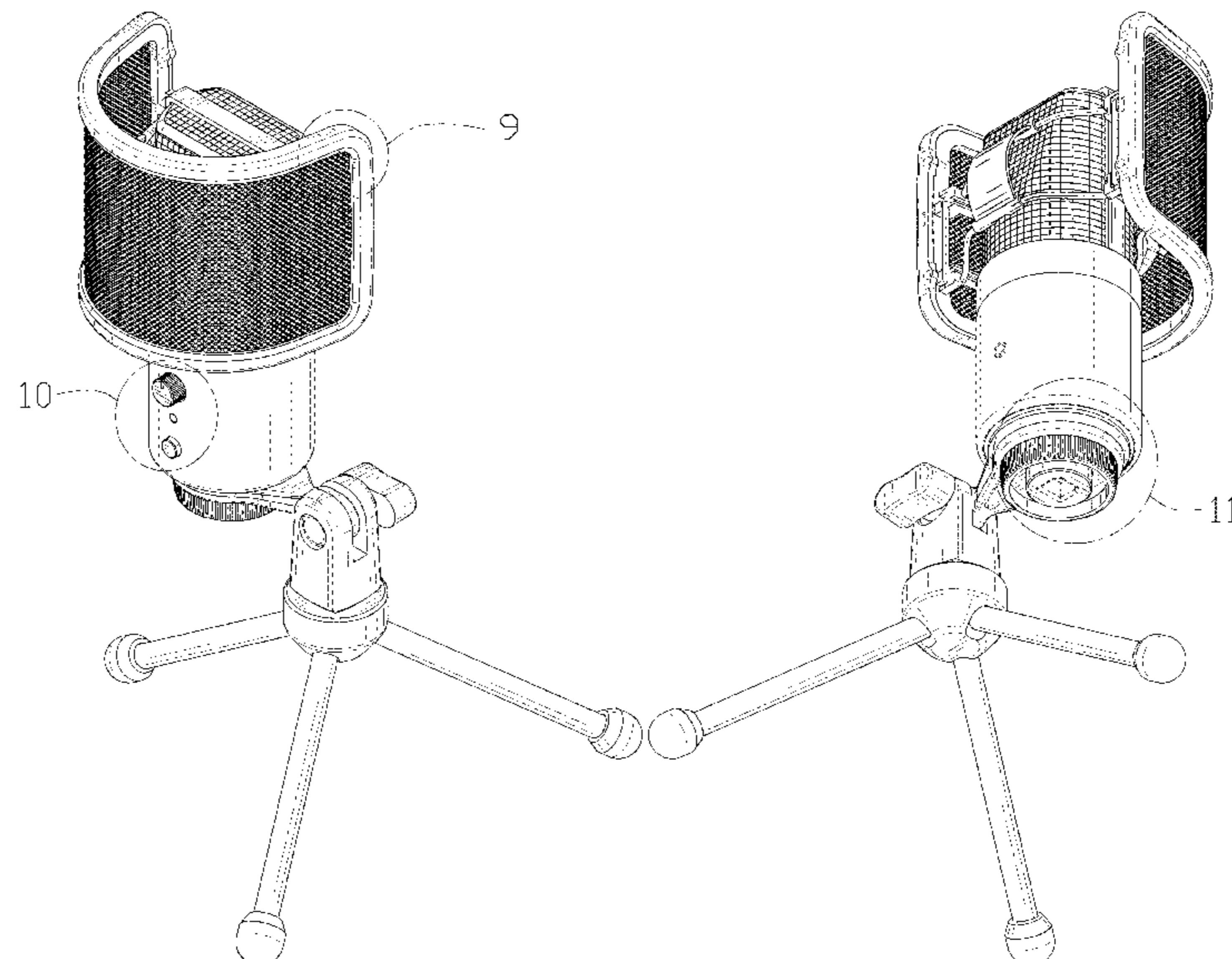
FIG. 9 is a partial enlarged view of an area labeled 9 in FIG. 1 comprising a top right corner of a net cover.

FIG. 10 is a partial enlarged view of an area labeled 10 in FIG. 1 comprising buttons; and,

FIG. 11 is a partial enlarged view of an area labeled 11 in FIG. 2 comprising a bottom of a body.

The broken lines shown in the drawings are included for the purpose of illustrating portions of the microphone that form no part of the claimed design.

1 Claim, 11 Drawing Sheets



(56)

References Cited

U.S. PATENT DOCUMENTS

5,722,437 A * 3/1998 Chang A45D 8/24
 132/275
 D400,540 S * 11/1998 Cruver, IV D14/228
 6,179,943 B1 * 1/2001 Welch B29C 70/08
 156/160
 D439,852 S * 4/2001 Hisatsune D10/104.1
 D442,932 S * 5/2001 Koike D14/155
 D447,131 S * 8/2001 Hough D14/228
 D504,126 S * 4/2005 Saulespurens D14/228
 D516,546 S * 3/2006 Sobol D14/228
 D532,436 S * 11/2006 Kruse D16/244
 7,178,630 B1 * 2/2007 Perdue E04B 1/8209
 181/290
 D551,661 S * 9/2007 Probst D14/225
 D579,928 S * 11/2008 Murata D14/229
 D599,786 S * 9/2009 Metlen D14/225
 D603,849 S * 11/2009 Durrett D14/228
 D604,274 S * 11/2009 Durrett D14/228
 D605,637 S * 12/2009 Sank D14/225
 D634,307 S * 3/2011 Arpe D14/228
 D649,139 S * 11/2011 Waay D14/225
 8,191,678 B2 * 6/2012 Zou H04R 1/342
 181/290
 D673,204 S * 12/2012 Bae D16/244
 8,670,581 B2 * 3/2014 Harman H04R 19/02
 381/191
 D708,170 S * 7/2014 Duek D14/225
 8,848,962 B2 * 9/2014 Akino H04R 19/04
 381/356
 9,020,180 B2 * 4/2015 Levinsohn H04R 1/04
 381/359
 D739,847 S * 9/2015 Mun D14/217
 D745,494 S * 12/2015 Wise D14/227
 D774,494 S * 12/2016 Sunwoo D14/227
 D791,742 S * 7/2017 Lai D14/225
 9,877,113 B2 * 1/2018 Akino H04R 7/122
 D816,622 S * 5/2018 Feng D13/174
 D834,004 S * 11/2018 Chen D14/226
 D834,564 S * 11/2018 Chen D14/226
 D834,566 S * 11/2018 Sunwoo D14/227
 D835,612 S * 12/2018 Tong D14/225
 D839,856 S * 2/2019 Chen D14/228
 D842,846 S * 3/2019 Mai D14/225
 D849,324 S * 5/2019 Bremner D28/40

D849,721 S * 5/2019 Chen D14/227
 D850,423 S * 6/2019 Chen
 D851,073 S * 6/2019 Tong D14/227
 D859,971 S * 9/2019 Tenander D8/394
 D864,921 S * 10/2019 Mai D14/227
 D864,922 S * 10/2019 Mai D14/227
 D868,754 S * 12/2019 Chou D14/225
 D881,168 S * 4/2020 Chen D14/228
 D881,853 S * 4/2020 Horton D14/229
 D889,442 S * 7/2020 Bovin D14/228
 D889,443 S * 7/2020 Renwick D14/229
 D890,141 S * 7/2020 Chen D14/228
 D890,729 S * 7/2020 Chen D14/227
 D890,732 S * 7/2020 Chen D14/227
 D891,402 S * 7/2020 Yoshino D14/228
 D892,090 S * 8/2020 Xiang D14/228
 D892,773 S * 8/2020 McGee D14/229
 D895,583 S * 9/2020 Smith D14/227
 D898,001 S * 10/2020 Chen D14/228
 D898,771 S * 10/2020 You D14/497
 D901,459 S * 11/2020 Zhao D14/229
 D905,022 S * 12/2020 Zheng D14/225
 D917,429 S * 4/2021 Xiang D14/225
 D917,432 S * 4/2021 Mai D14/227
 D917,433 S * 4/2021 Wang D14/228
 D918,184 S * 5/2021 Xiang D14/225
 D918,186 S * 5/2021 Mai D14/227
 2005/0271233 A1 * 12/2005 Uchimura H04R 1/086
 381/359
 2006/0002576 A1 * 1/2006 Akino H04R 1/021
 381/361
 2010/0106101 A1 * 4/2010 Fisher A61M 39/288
 604/250
 2010/0208929 A1 * 8/2010 Heil H04R 11/04
 381/355
 2011/0044477 A1 * 2/2011 Huang H04R 1/083
 381/122
 2013/0310768 A1 * 11/2013 Ebara A61M 39/28
 604/250
 2017/0149121 A1 * 5/2017 Zachara H01Q 1/362

FOREIGN PATENT DOCUMENTS

CN 306541322 * 5/2021
 EM 008549521-0001 * 5/2021

* cited by examiner

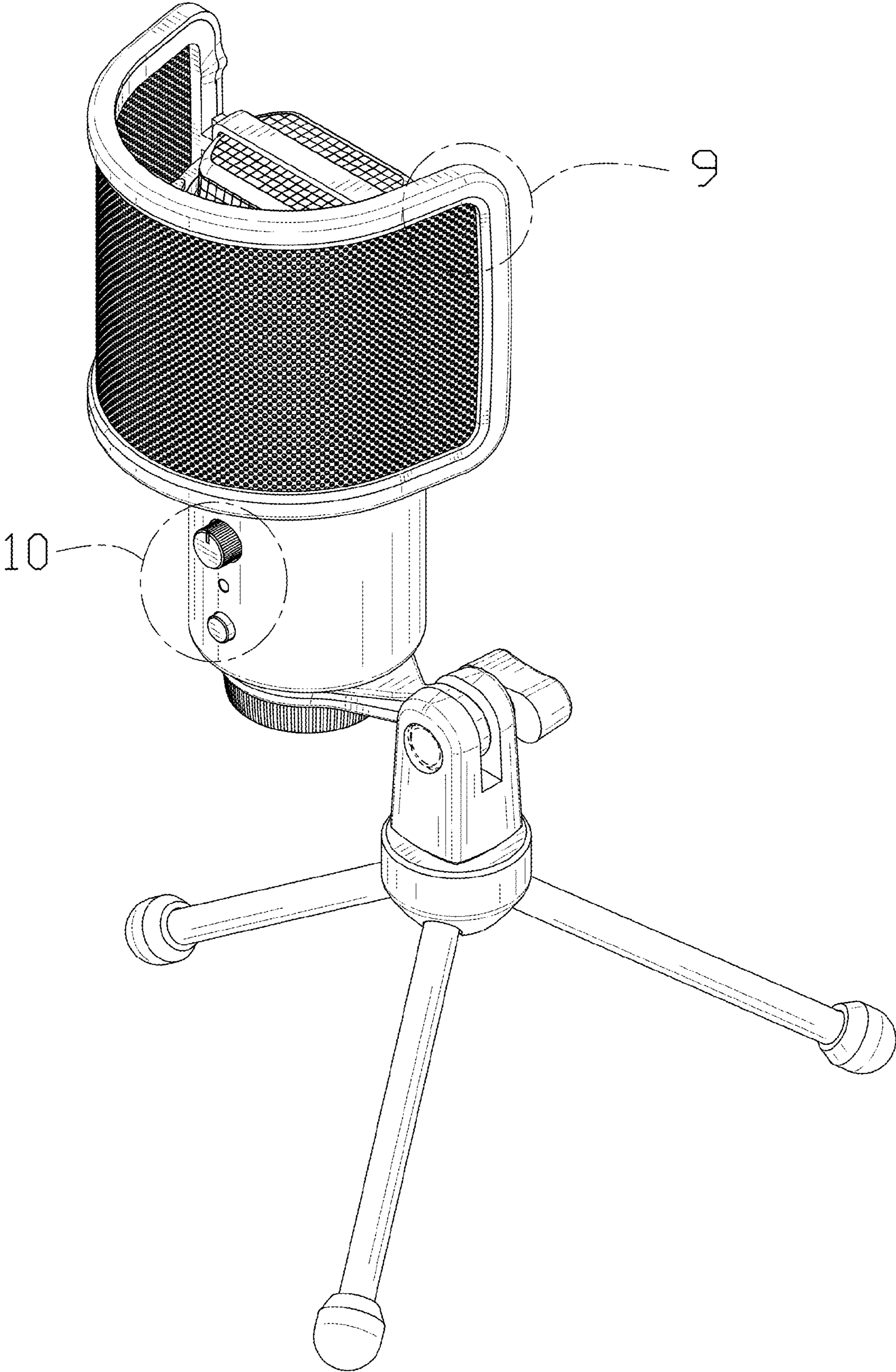


FIG. 1

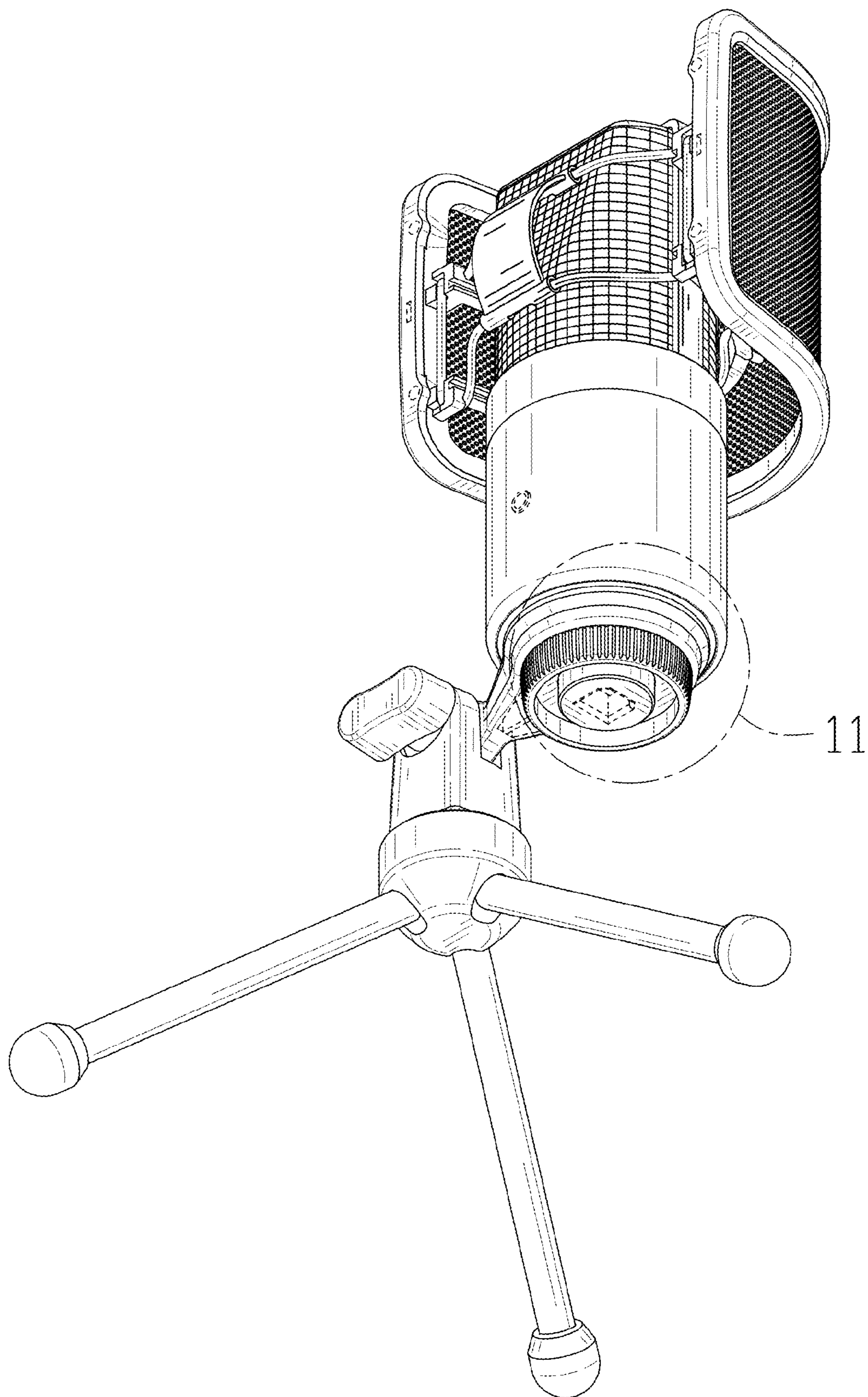


FIG. 2

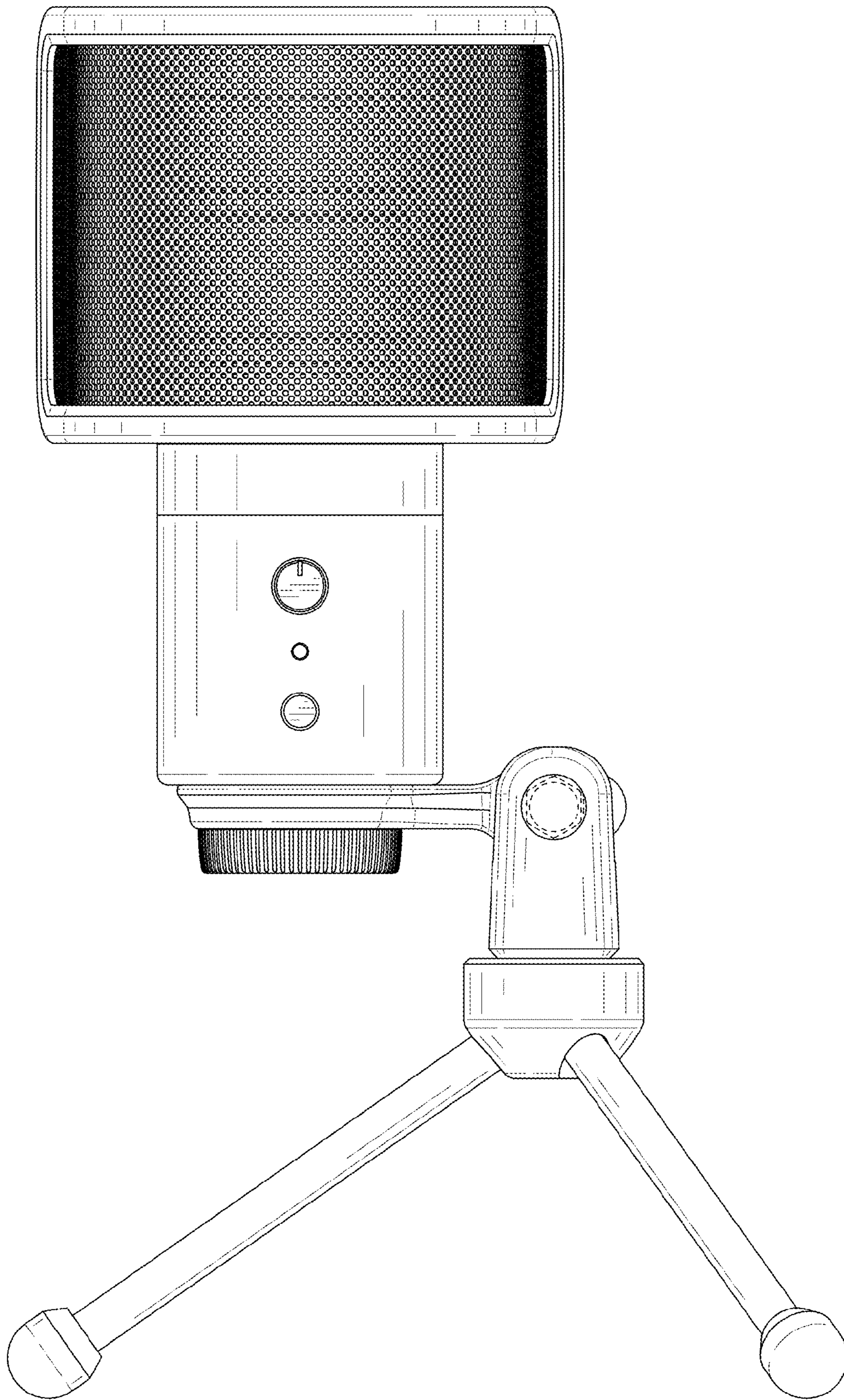


FIG. 3

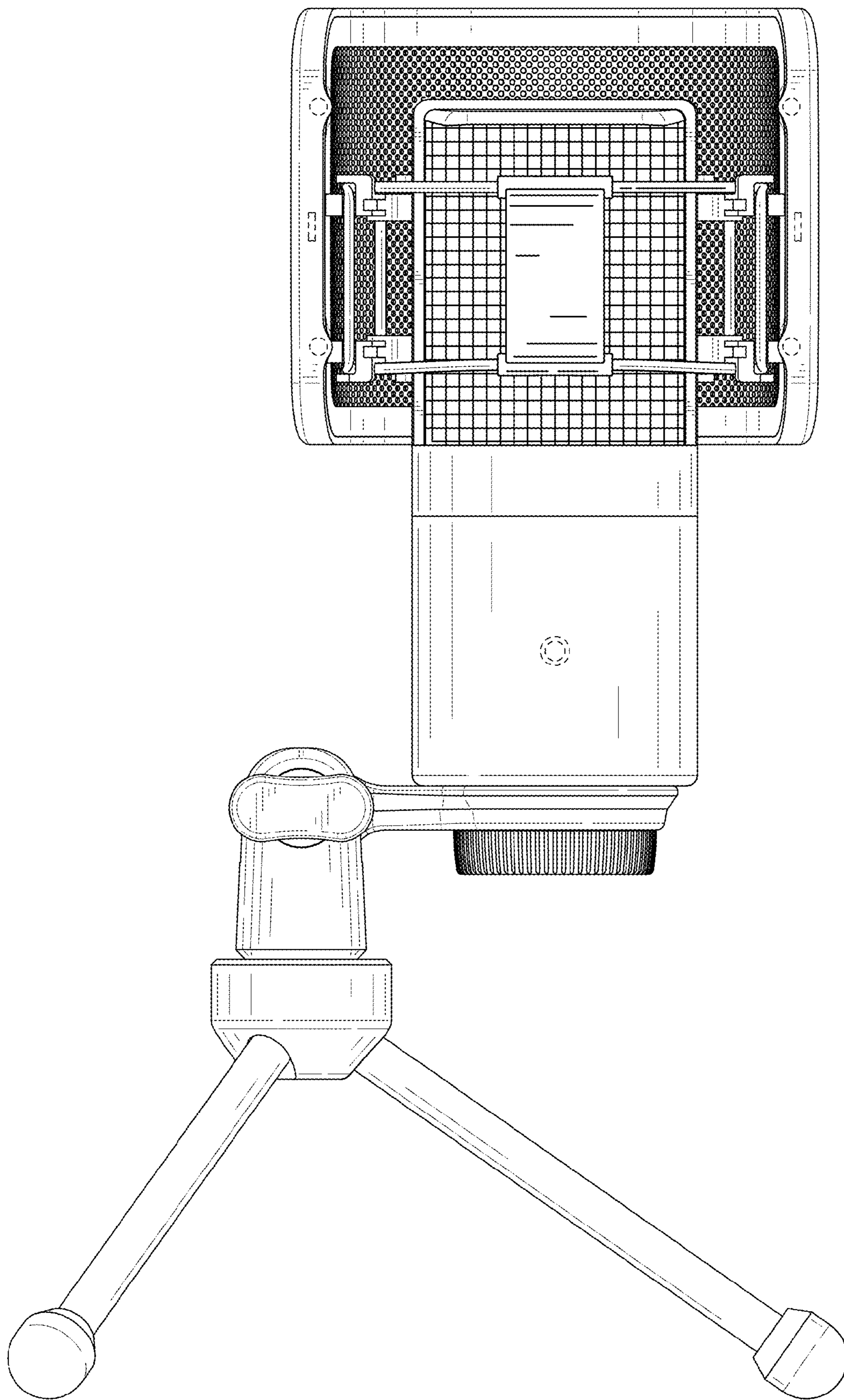


FIG. 4

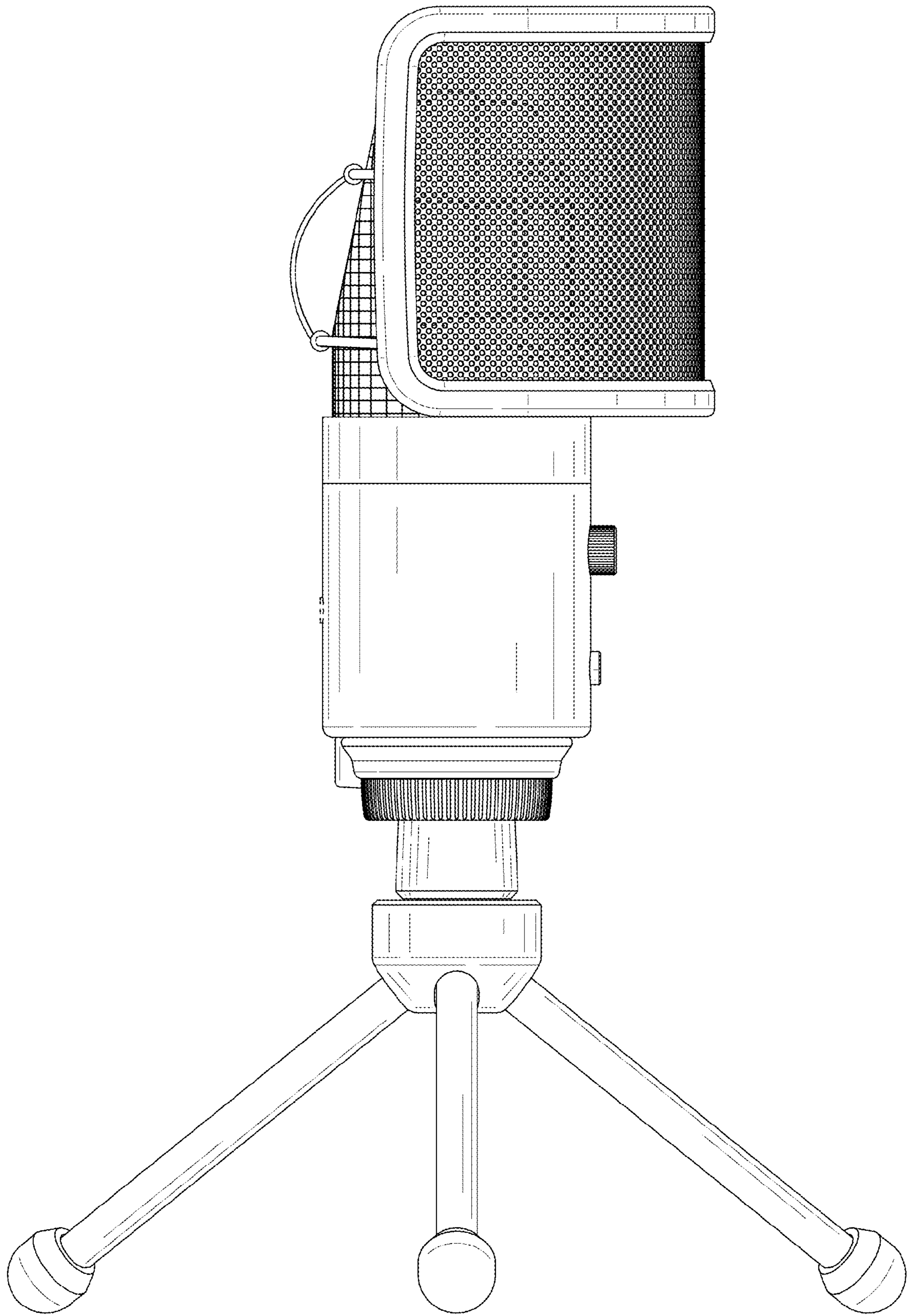


FIG. 5

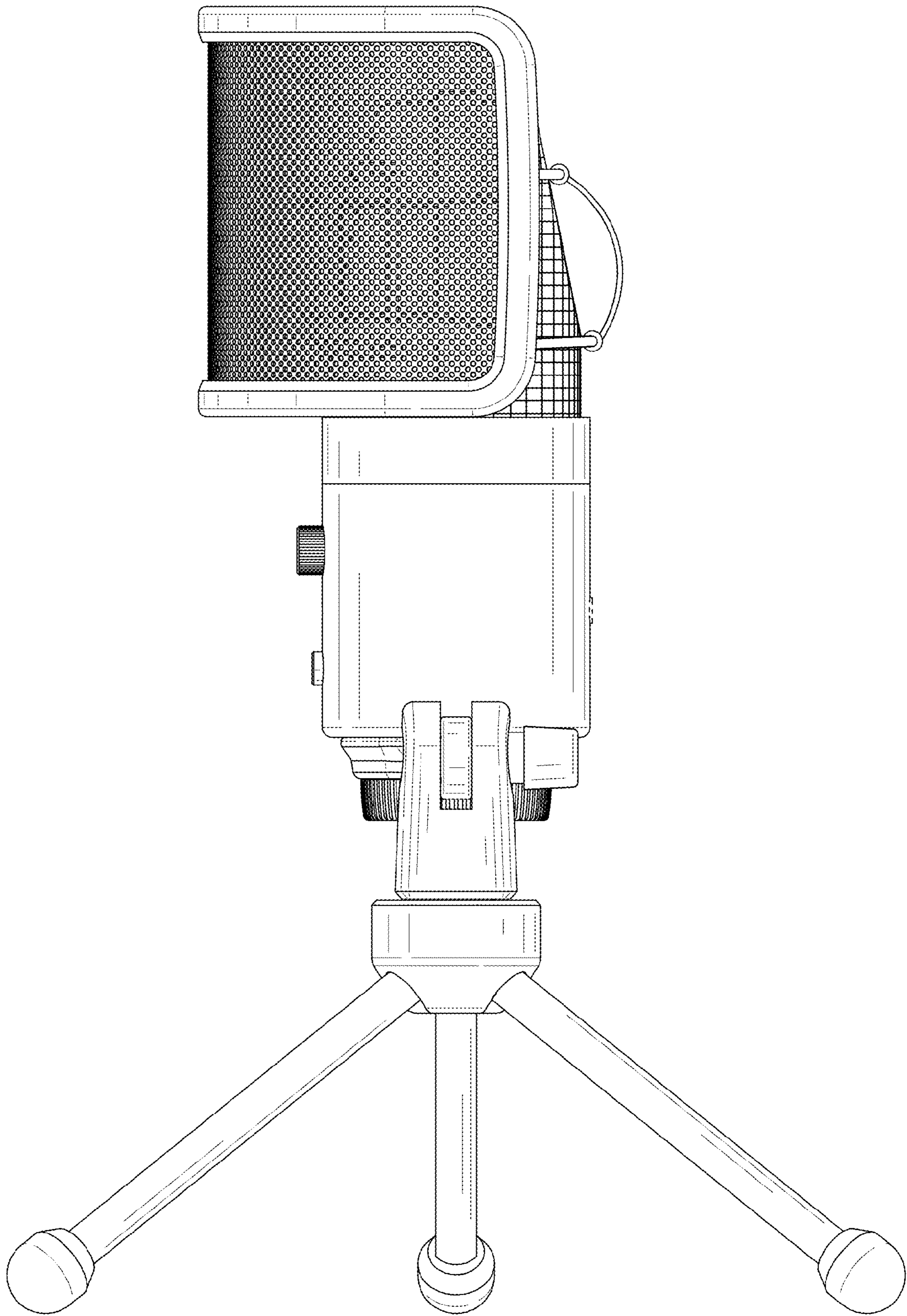


FIG. 6

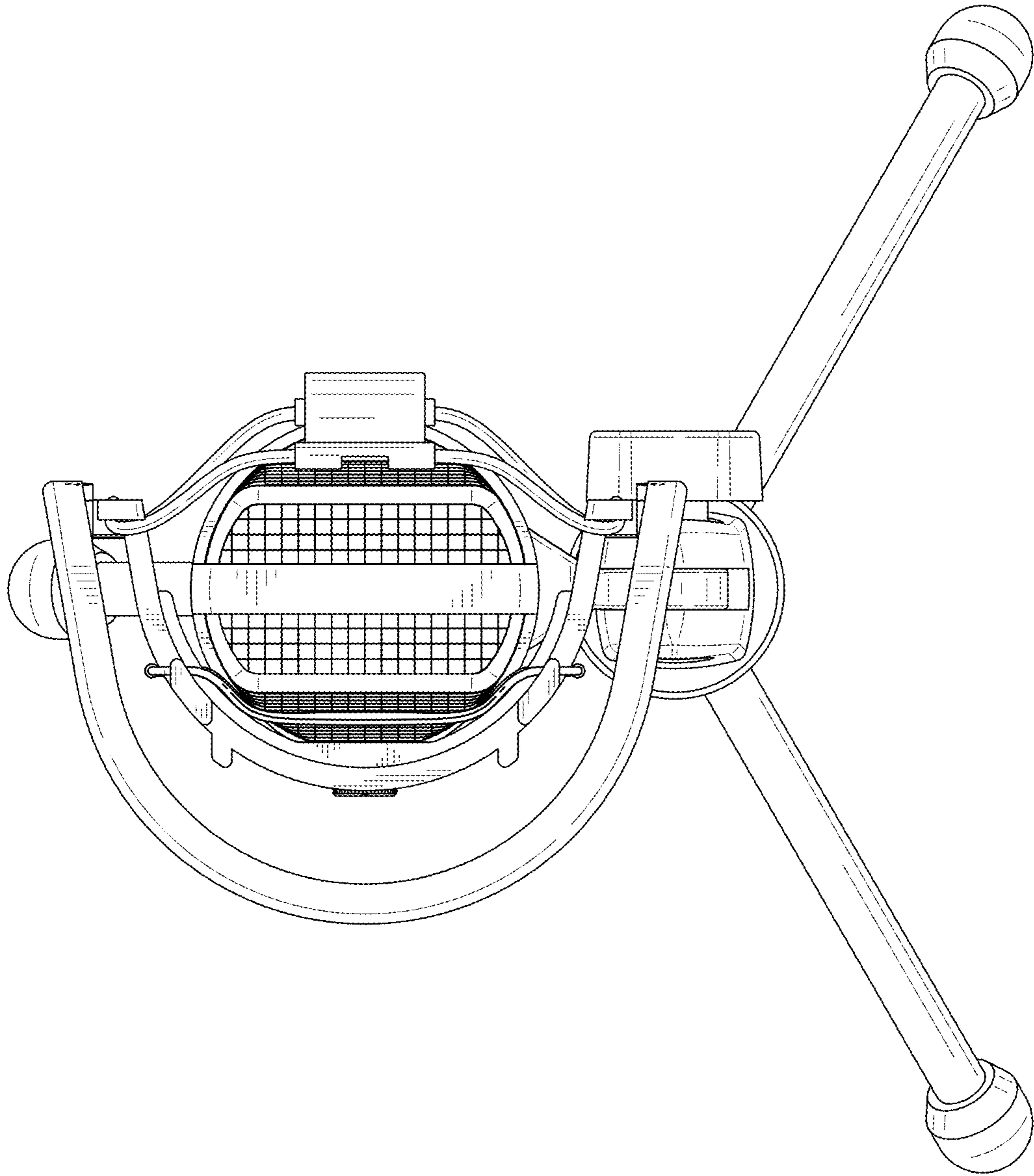


FIG. 7

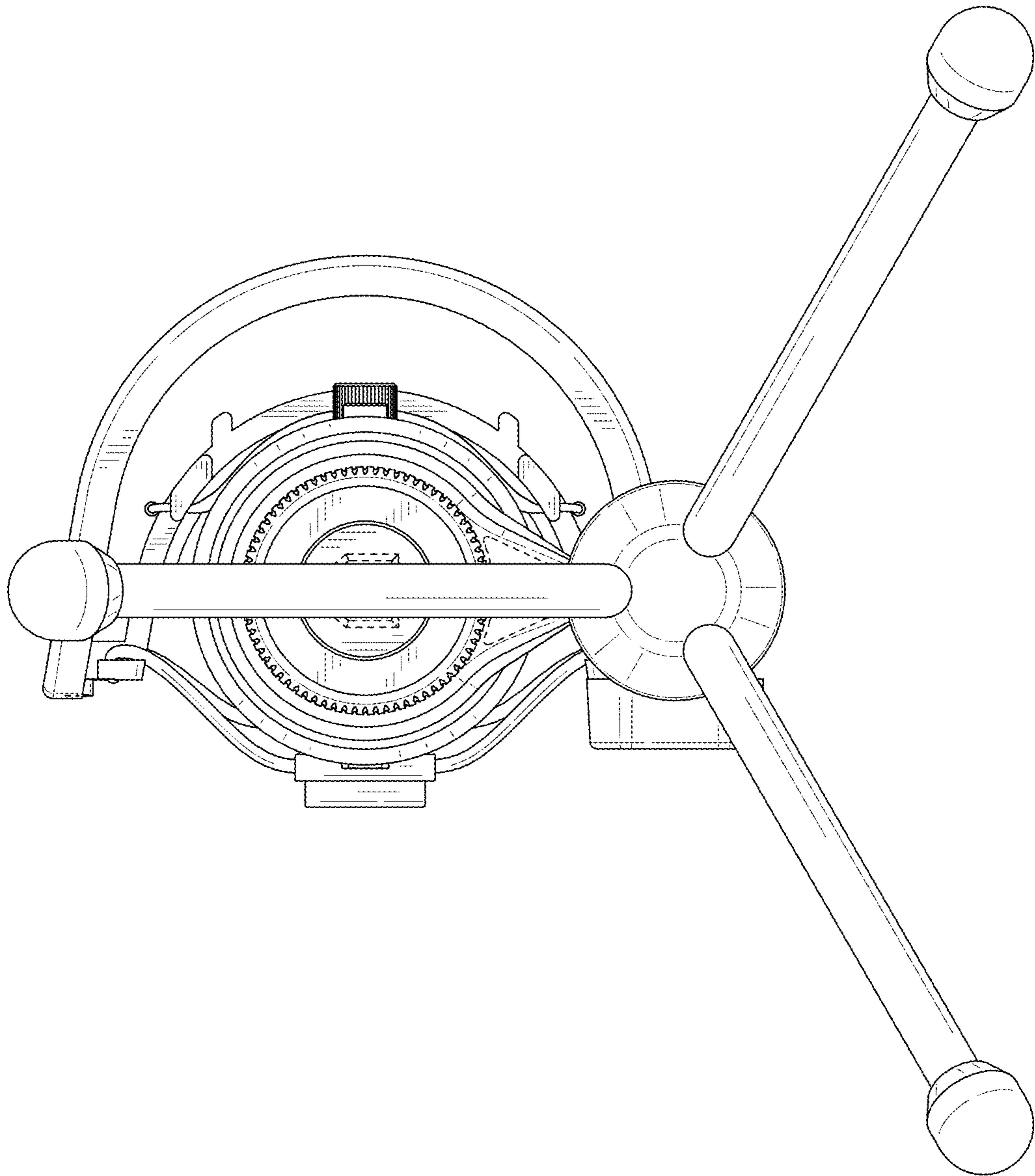


FIG. 8

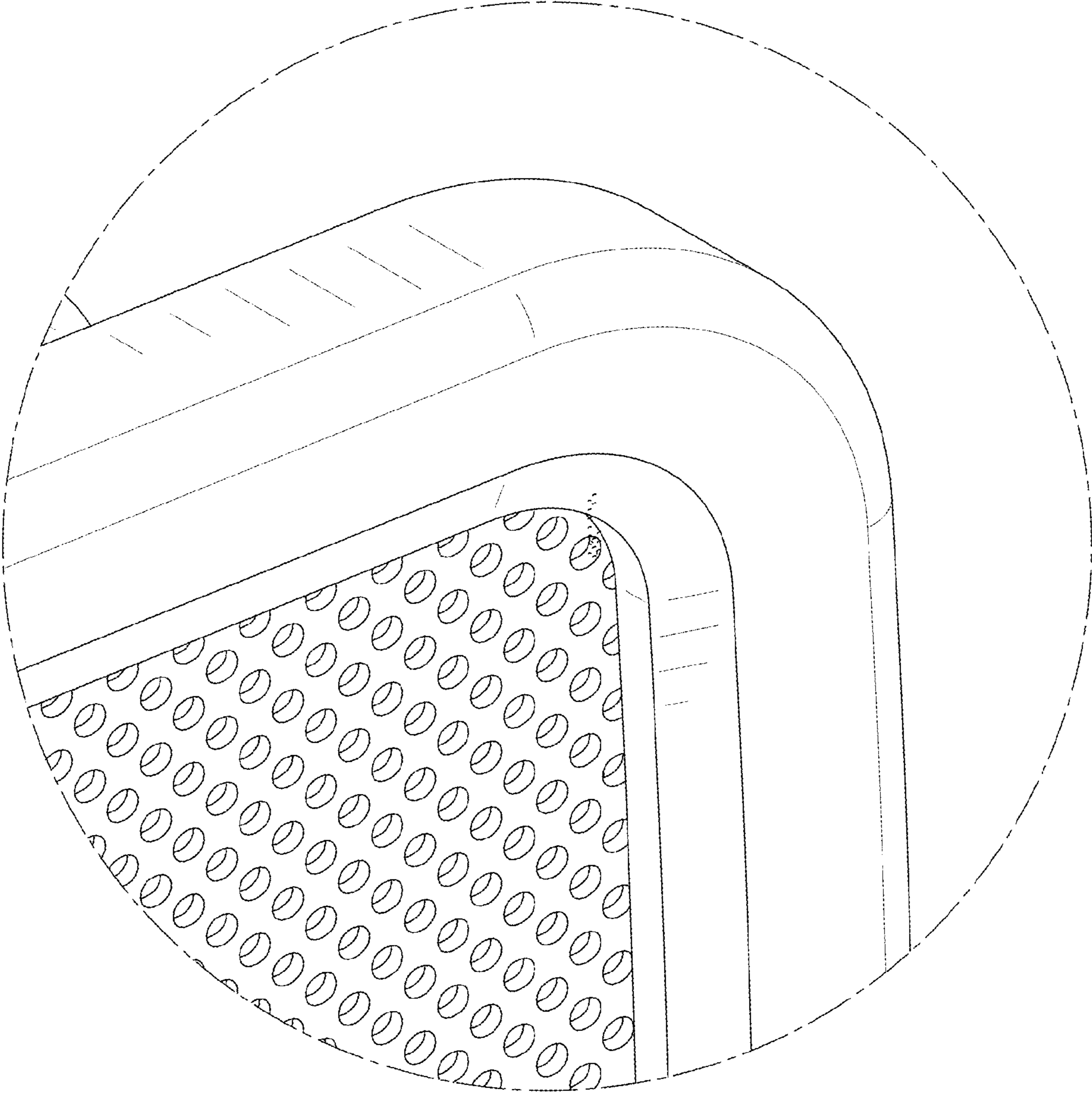


FIG. 9

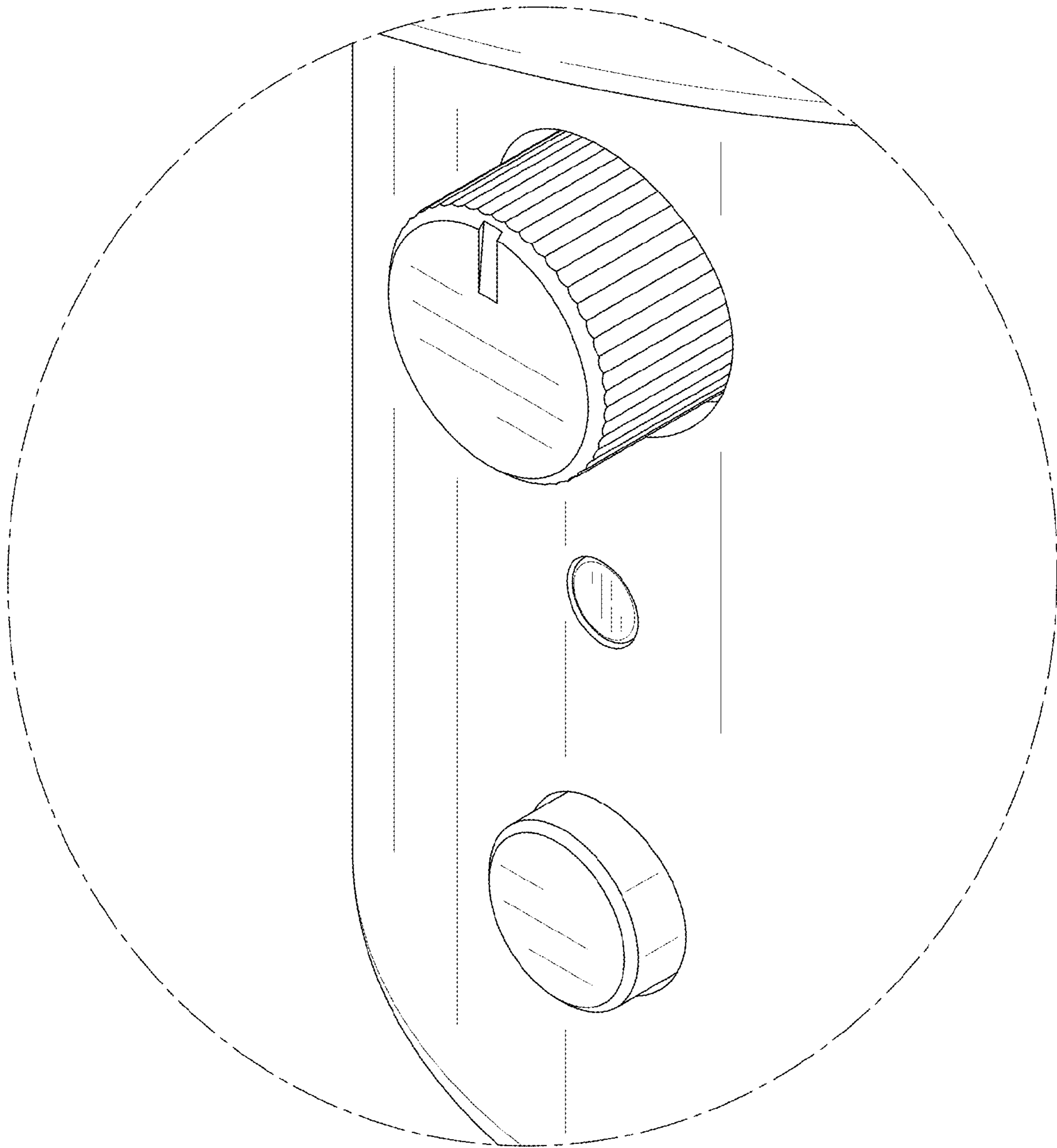


FIG. 10

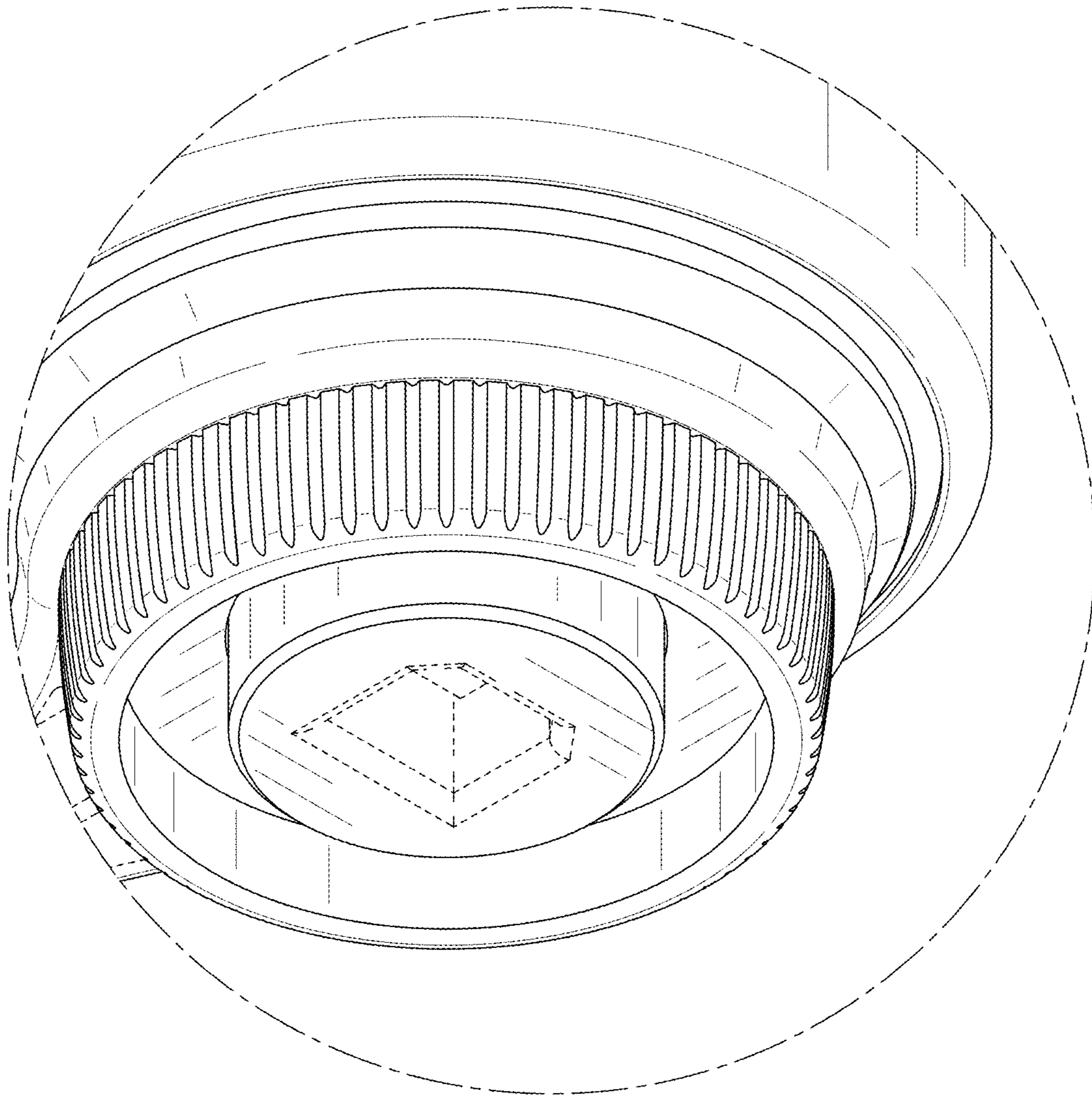


FIG. 11