



US00D929972S

(12) **United States Design Patent** (10) **Patent No.:** **US D929,972 S**  
**Akana et al.** (45) **Date of Patent:** **\*\* Sep. 7, 2021**

(54) **EARPHONE**

(71) Applicant: **Apple Inc.**, Cupertino, CA (US)

(72) Inventors: **Jody Akana**, San Francisco, CA (US); **Molly Anderson**, San Francisco, CA (US); **Bartley K. Andre**, Palo Alto, CA (US); **Shota Aoyagi**, San Francisco, CA (US); **Anthony Michael Ashcroft**, San Francisco, CA (US); **Marine C. Bataille**, San Francisco, CA (US); **Jeremy Bataillou**, San Francisco, CA (US); **Markus Diebel**, San Francisco, CA (US); **M. Evans Hankey**, San Francisco, CA (US); **Julian Hoenig**, San Francisco, CA (US); **Richard P. Howarth**, San Francisco, CA (US); **Jonathan P. Ive**, San Francisco, CA (US); **Julian Jaede**, San Francisco, CA (US); **Duncan Robert Kerr**, San Francisco, CA (US); **Peter Russell-Clarke**, San Francisco, CA (US); **Benjamin Andrew Shaffer**, San Jose, CA (US); **Sung-Ho Tan**, San Francisco, CA (US); **Clement Tissandier**, San Francisco, CA (US); **Eugene Antony Whang**, San Francisco, CA (US); **Rico Zörkendörfer**, San Francisco, CA (US)

(73) Assignee: **Apple Inc.**, Cupertino, CA (US)

(\*\*) Term: **15 Years**

(21) Appl. No.: **29/768,818**

(22) Filed: **Feb. 1, 2021**

**Related U.S. Application Data**

(63) Continuation of application No. 29/706,556, filed on Sep. 20, 2019, now Pat. No. Des. 909,347.

(51) **LOC (13) Cl.** ..... **14-01**

(52) **U.S. Cl.**  
USPC ..... **D14/223**

(58) **Field of Classification Search**

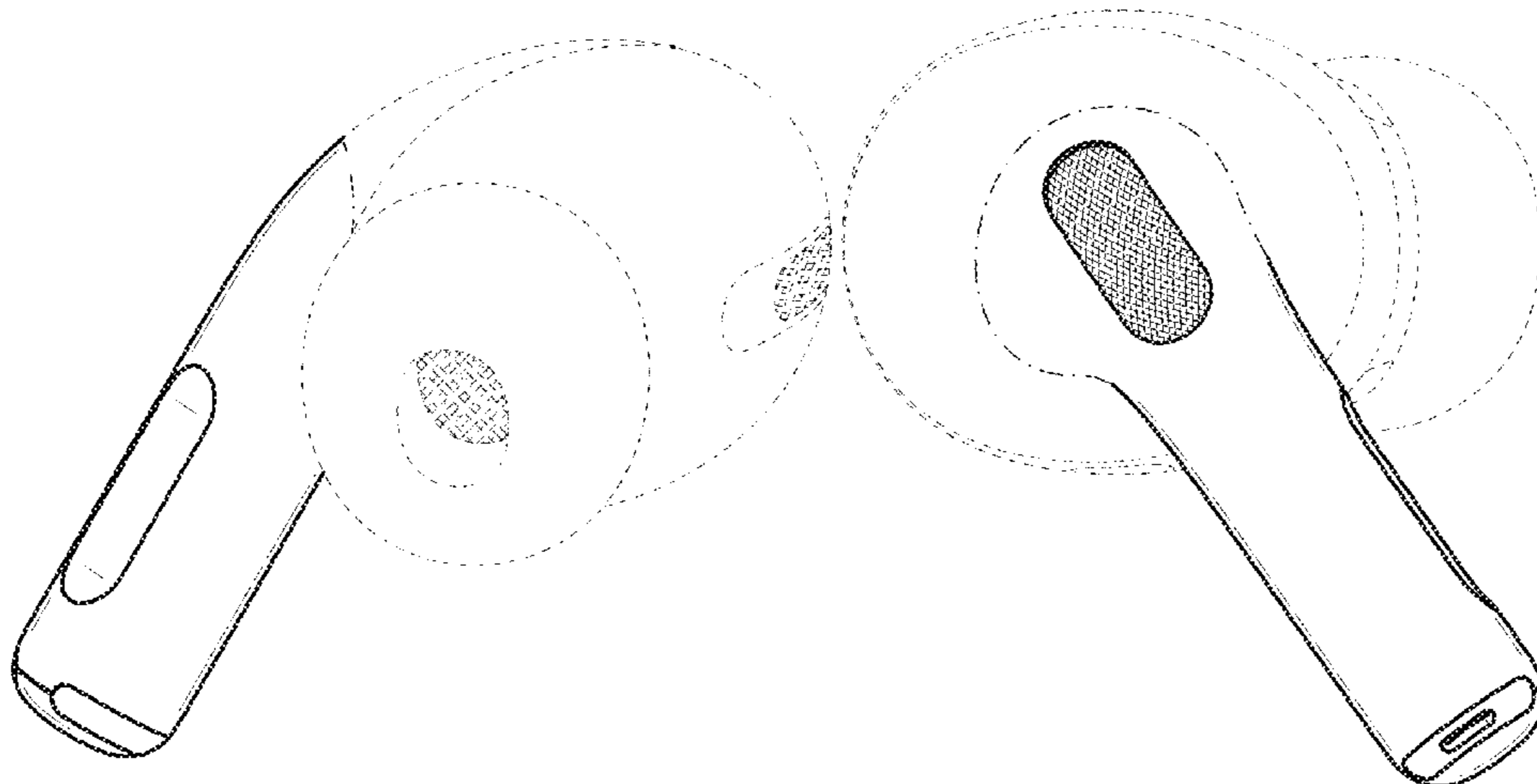
USPC ..... D14/223, 205; D24/174; D13/108;  
128/864, 865, 866; 320/116; 381/380,  
381/381, 374, 74; 455/90.3, 575.1, 569.1  
CPC . H04R 1/10; H04R 1/02; H04R 25/00; H04R  
25/02; H04R 1/1016; H04R 5/033; H04R  
5/0335; H04R 1/1058; H04R 1/1091;  
H04R 9/06; H02J 7/02

See application file for complete search history.

(56) **References Cited**

**U.S. PATENT DOCUMENTS**

2,148,477 A	2/1939	Koch
2,595,489 A	5/1952	Rutter et al.
3,368,644 A	2/1968	Henderson
3,459,902 A	8/1969	Warning
3,588,384 A	6/1971	Negley et al.
3,781,492 A	12/1973	Cragg et al.
4,532,649 A	7/1985	Bellafiore
4,672,672 A	6/1987	Eggert et al.
4,677,675 A	6/1987	Killion et al.
4,736,430 A	4/1988	Schroeder
4,742,887 A	5/1988	Yamagishi
D296,435 S	6/1988	Kubota
4,889,303 A	12/1989	Wolf
4,893,344 A	1/1990	Traegardh et al.
4,965,838 A	10/1990	Kamon et al.
4,972,492 A	11/1990	Tanaka et al.
D316,550 S	4/1991	Sogabe
D331,057 S	11/1992	Isonaga
D331,061 S	11/1992	Hyohgo
D337,118 S	7/1993	Seikita
D337,589 S	7/1993	Wada
D344,800 S	3/1994	Lamby
D353,379 S	12/1994	Nakamura et al.
5,420,935 A	5/1995	Shinohara et al.
D410,079 S	5/1999	Falco et al.
6,122,369 A	9/2000	Hwang et al.
D463,789 S	10/2002	Dekalb et al.
D469,753 S	2/2003	Andre et al.
6,574,345 B1	6/2003	Huang
D479,837 S	9/2003	Sundquist et al.
6,690,807 B1	2/2004	Meyer
D488,460 S	4/2004	Alwicker et al.
6,731,772 B1	5/2004	Byun
D499,397 S	12/2004	Hlas et al.
D505,132 S	5/2005	Linville et al.
D506,744 S	6/2005	Andre et al.
D515,070 S	2/2006	Andre et al.



# US D929,972 S

Page 2

D518,008 S	3/2006	Peng	9,961,431 B2 *	5/2018	McPeak .....	H04R 9/06
D523,846 S	6/2006	Lee	D820,809 S	6/2018	Akana et al.	
D533,868 S	12/2006	Koizumi	10,003,880 B2 *	6/2018	Wagman .....	A45C 13/02
D540,313 S	4/2007	Rausch et al.	D823,835 S	7/2018	Loermann et al.	
D554,109 S	10/2007	Ledbetter et al.	D828,823 S	9/2018	Lin	
D557,689 S	12/2007	Huang	D830,345 S	10/2018	Cai	
D566,687 S	4/2008	Duarte et al.	D847,125 S *	4/2019	Akana .....	D14/223
D568,291 S	5/2008	Andre et al.	D849,401 S *	5/2019	Akana .....	D3/274
D573,977 S	7/2008	Ledbetter et al.	D865,720 S *	11/2019	Deng .....	D14/223
D575,269 S	8/2008	Ledbetter et al.	D869,445 S *	12/2019	Hu .....	D14/223
D578,518 S	10/2008	Ewert	D878,045 S *	3/2020	Akana .....	D3/274
D579,923 S	11/2008	Andre et al.	D883,260 S *	5/2020	Hu .....	D14/223
D587,677 S	3/2009	Andre et al.	D896,206 S *	9/2020	Xu .....	D14/223
D589,028 S	3/2009	Haapapuro et al.	D896,788 S *	9/2020	Akana .....	D14/223
D589,491 S	3/2009	Andre et al.	D897,997 S *	10/2020	Zhang .....	D14/223
D589,498 S	3/2009	Komiyama	D897,998 S *	10/2020	Ma .....	D14/223
D590,375 S	4/2009	Komiyama	D906,297 S	12/2020	Akana et al.	
D593,537 S	6/2009	Arimoto	D907,009 S *	1/2021	Akana .....	D14/223
D596,616 S	7/2009	Andre et al.	D907,010 S *	1/2021	Akana .....	D14/223
D599,330 S	9/2009	Andre et al.	D909,347 S *	2/2021	Akana .....	D14/223
D601,134 S	9/2009	Elabidi et al.	2010/0246879 A1 *	9/2010	Siahaan .....	H04R 1/1058
D616,874 S	6/2010	Matsuoka				381/380
D618,209 S	6/2010	Andre et al.	2011/0051978 A1 *	3/2011	Chen .....	H04R 1/12
D618,210 S	6/2010	Andre et al.				381/380
D618,219 S	6/2010	Burgett et al.	2012/0003937 A1 *	1/2012	Zhong .....	H04R 1/1091
D620,482 S	7/2010	Chen				455/41.3
D622,265 S	8/2010	Rye	2012/0155692 A1	6/2012	Chen	
D626,948 S	11/2010	Nault	2012/0237074 A1	9/2012	Aase	
D627,766 S	11/2010	Arimoto	2013/0004011 A1	1/2013	Hayashida et al.	
D628,193 S	11/2010	Zheng	2013/0010998 A1 *	1/2013	Seo .....	H04R 1/1058
D632,282 S	2/2011	Kitayama				381/380
D633,086 S	2/2011	Chen	2013/0343593 A1	12/2013	Howes et al.	
D635,960 S	4/2011	Gondo et al.	2013/0343594 A1 *	12/2013	Howes .....	H04R 1/1016
D639,279 S	6/2011	Andre et al.				381/380
D641,738 S	7/2011	Perez	2013/0343595 A1	12/2013	Zorkendorfer et al.	
D643,416 S	8/2011	Chong et al.	2015/0382100 A1	12/2015	Azmi et al.	
D652,823 S	1/2012	Chen	2017/0026733 A1 *	1/2017	Armstrong .....	H04R 1/1016
D656,481 S	3/2012	McManigal	2017/0164087 A1	6/2017	Kurtz	
D662,493 S	6/2012	Chen	2017/0201821 A1 *	7/2017	McAuliffe .....	H01Q 1/273
D662,495 S	6/2012	Andre et al.	2018/0077481 A1 *	3/2018	Kim .....	H04R 1/1016
D664,523 S	7/2012	Naitou	2020/0068285 A1 *	2/2020	Dang .....	H04R 1/1016
D666,580 S	9/2012	Lee et al.	2020/0107098 A1 *	4/2020	DiFonzo .....	H01F 41/0246
D669,058 S	10/2012	Lee et al.	2020/0245049 A1 *	7/2020	Karayiannis .....	H04R 1/1016
D669,453 S	10/2012	Katsuraku et al.	2020/0275182 A1 *	8/2020	Ettensberger .....	H04R 1/1016
D674,781 S	1/2013	Sakata	2020/0282856 A1 *	9/2020	Samojeden .....	B60L 53/64
D675,194 S	1/2013	Andre et al.				
8,345,912 B2	1/2013	Akihiko et al.				
D676,427 S	2/2013	Yang				
8,391,533 B2 *	3/2013	Sim .....				H04R 1/1041
						381/380
D681,015 S	4/2013	Akana et al.				
D687,418 S	8/2013	Godfrey				
D687,419 S	8/2013	Andre et al.				
8,515,116 B2	8/2013	Lee				
D691,594 S	10/2013	Akana et al.				
D694,220 S	11/2013	Lee et al.				
D706,643 S	6/2014	Akana et al.				
D707,206 S	6/2014	Akana et al.				
D711,857 S	8/2014	Burgett et al.				
8,800,712 B2	8/2014	Campbell et al.				
D712,279 S	9/2014	Akana et al.				
D718,284 S	11/2014	Shibusawa				
D718,285 S	11/2014	Shibusawa				
8,965,030 B2	2/2015	Aase				
D728,533 S	5/2015	Poulsen et al.				
D732,007 S	6/2015	Oksman et al.				
D732,008 S	6/2015	Akana et al.				
D733,101 S	6/2015	Pi et al.				
D733,689 S	7/2015	Narita				
D738,864 S	9/2015	Lee				
D741,287 S *	10/2015	Harata .....				D14/205
D747,295 S	1/2016	Eastwood et al.				
D755,759 S	5/2016	Cai				
D757,682 S	5/2016	Perez				
D777,149 S	1/2017	Bonahoom et al.				
D780,153 S	2/2017	Lukic et al.				
D781,268 S	3/2017	Magi				
D798,844 S	10/2017	Nokuo				
D801,314 S *	10/2017	Akana .....				D14/223

## FOREIGN PATENT DOCUMENTS

CN	301938367 S	5/2012
CN	302414771 S	4/2013
CN	302672007 S	12/2013
CN	303180712 S	4/2015
CN	303634602 S	4/2016
CN	303640496 S	4/2016
CN	303701471 S	6/2016
CN	306603656	* 6/2021
CN	306637741	* 6/2021
EM	007742713-0001	* 3/2020
EM	007742713-0004	* 3/2020
EM	007742713-0013	* 3/2020

## OTHER PUBLICATIONS

IBlink WLP3 Earbuds—100Hz-10kHz, Noise Isolation, 3.5mm Jack, LED Light (Pink), White, TigerDirect.com, accessed at [http://www.tigerdirect.com/applications/SearchTools/item-details.asp?EdpNo=3988300&csid=\\_61](http://www.tigerdirect.com/applications/SearchTools/item-details.asp?EdpNo=3988300&csid=_61), available at least as early as Jan. 31, 2013.

Japanese Patent Office Document HJ 21000610, dated Jul. 26, 2017.

Japanese Patent Office Document HJ 27054573, dated Jul. 26, 2017.

Philips SHE2650/37 In-Ear Earbuds with Twin Vents, ShoppingNexus.com, accessed at <http://www.shoppingnexus.com/electronics/pr-philips-she265037-in-ear-earbuds-with-twin-vents1.html>, available at least as early as Jan. 31, 2013.

\* cited by examiner

*Primary Examiner* — Paula Allen Greene  
(74) *Attorney, Agent, or Firm* — Sterne, Kessler,  
Goldstein & Fox P.L.L.C.

(57) **CLAIM**

The ornamental design for an earphone, as shown and described.

**DESCRIPTION**

FIG. 1 is a front perspective view of an earphone showing the claimed design;

FIG. 2 is a rear perspective view thereof;

FIG. 3 is a front view thereof;

FIG. 4 is a rear view thereof;

FIG. 5 is a left side view thereof;

FIG. 6 is a right side view thereof;

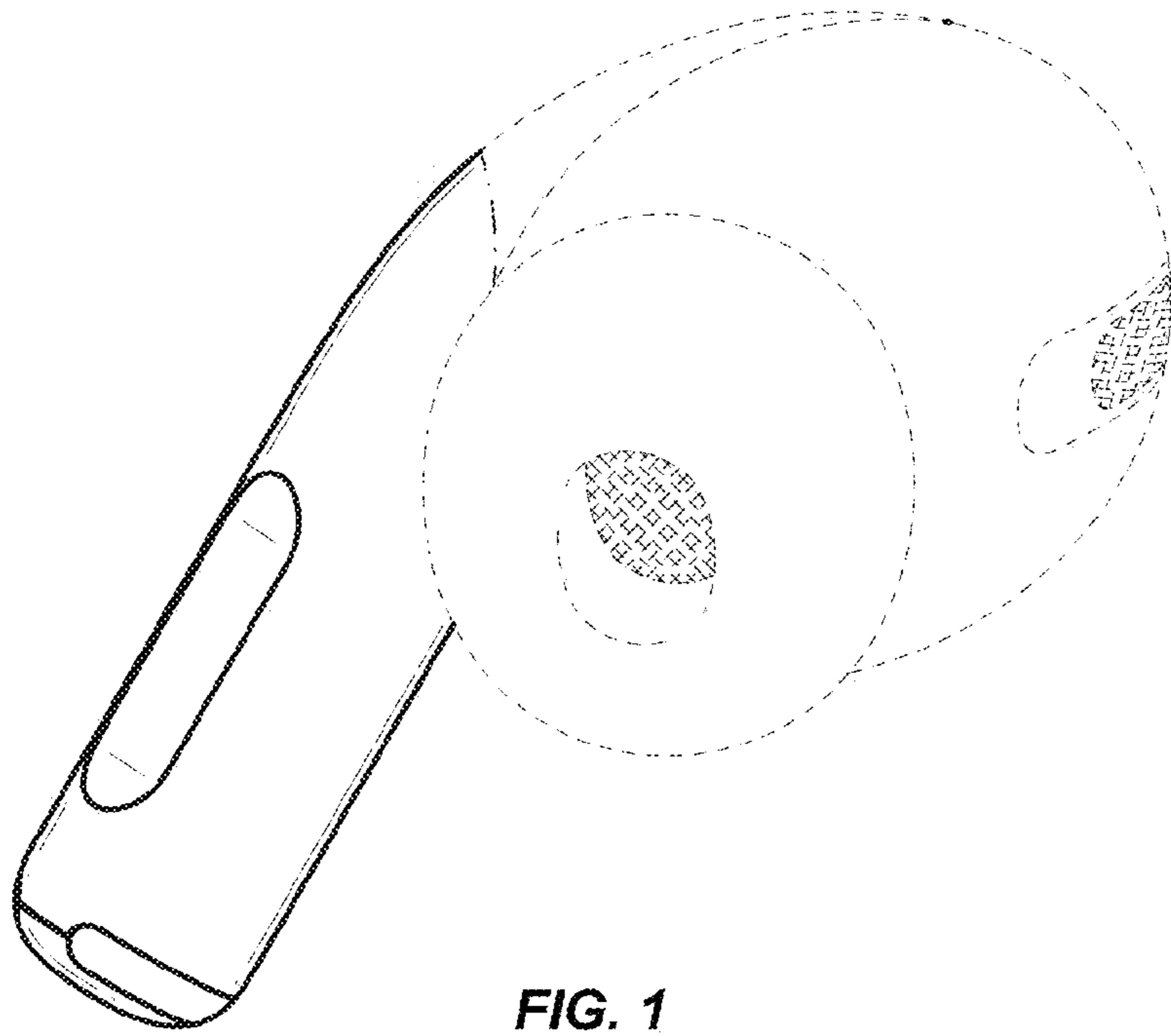
FIG. 7 is a top view thereof; and,

FIG. 8 is a bottom view thereof.

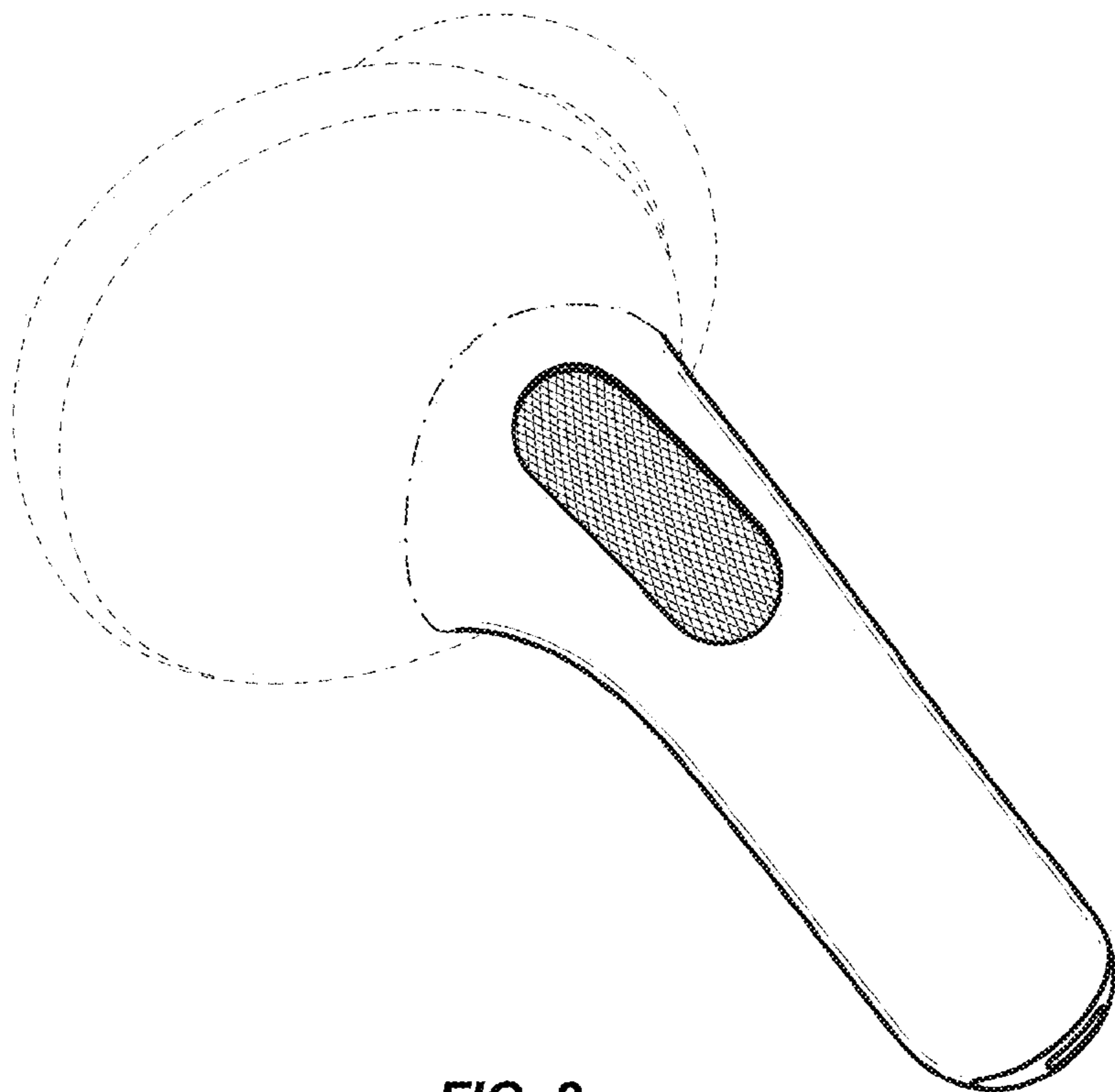
The dashed broken lines in the figures show portions of the earphone that form no part of the claimed design.

The dot-dash broken lines in the figures show boundaries that form no part of the claimed design.

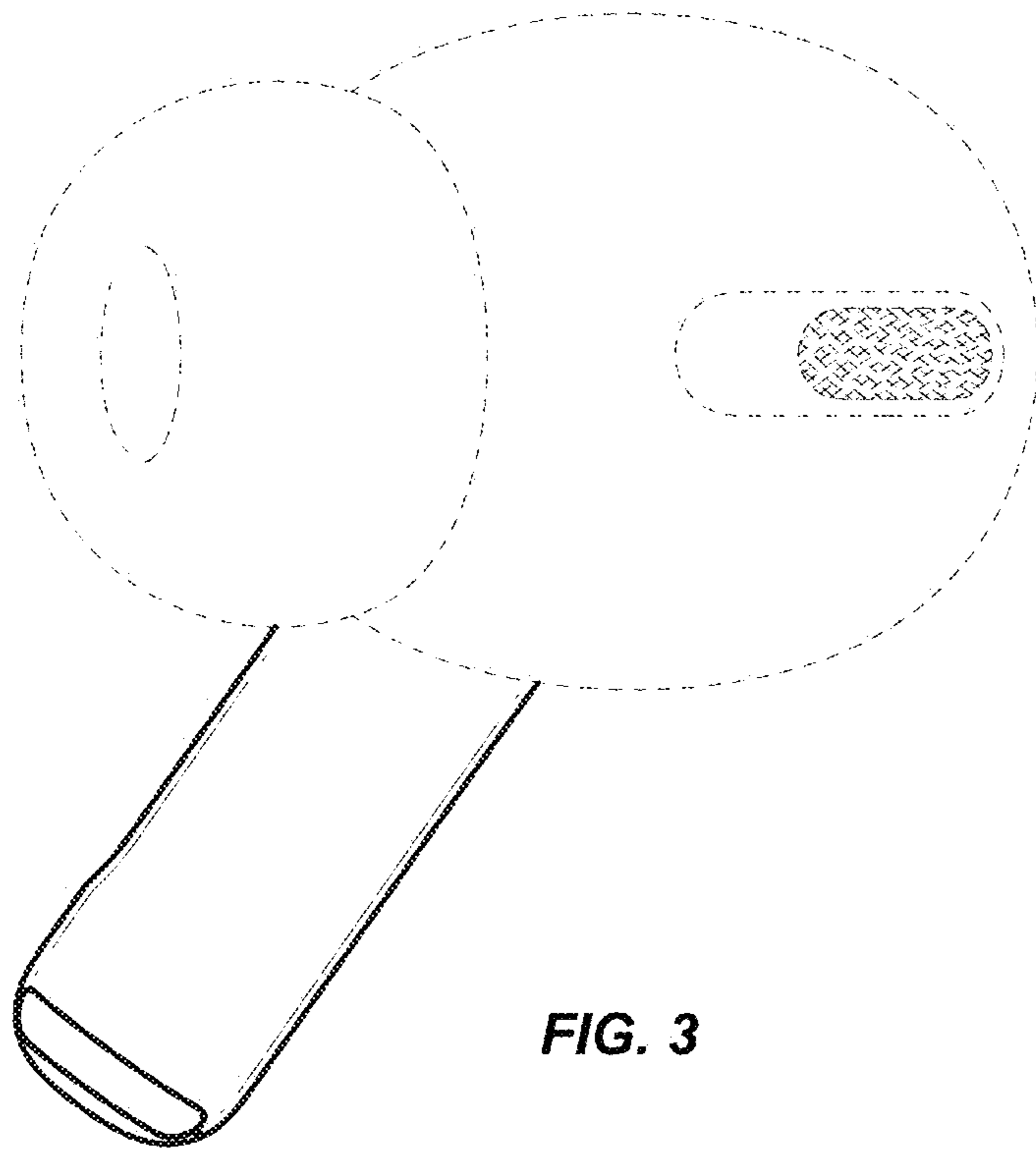
**1 Claim, 4 Drawing Sheets**



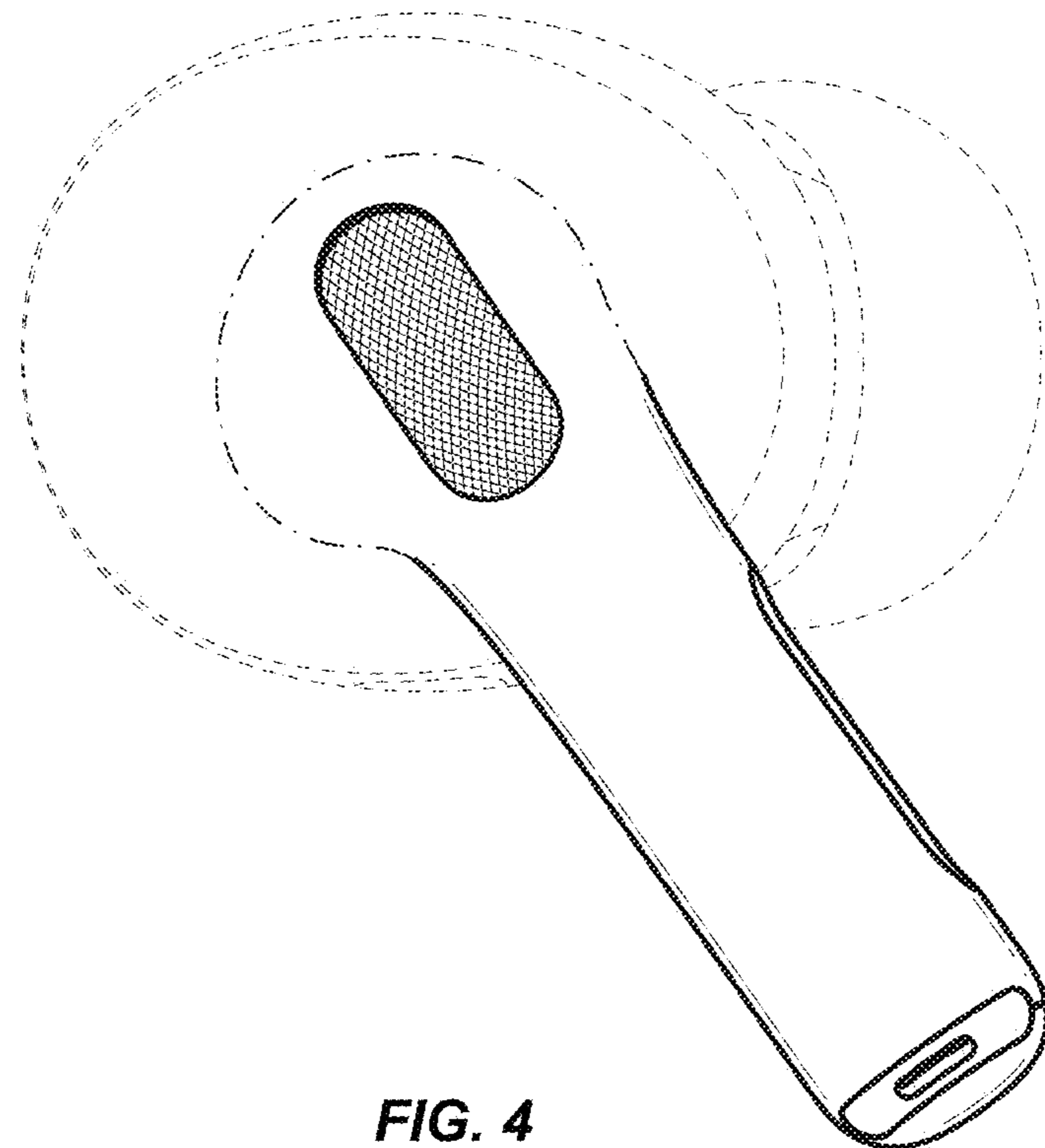
**FIG. 1**



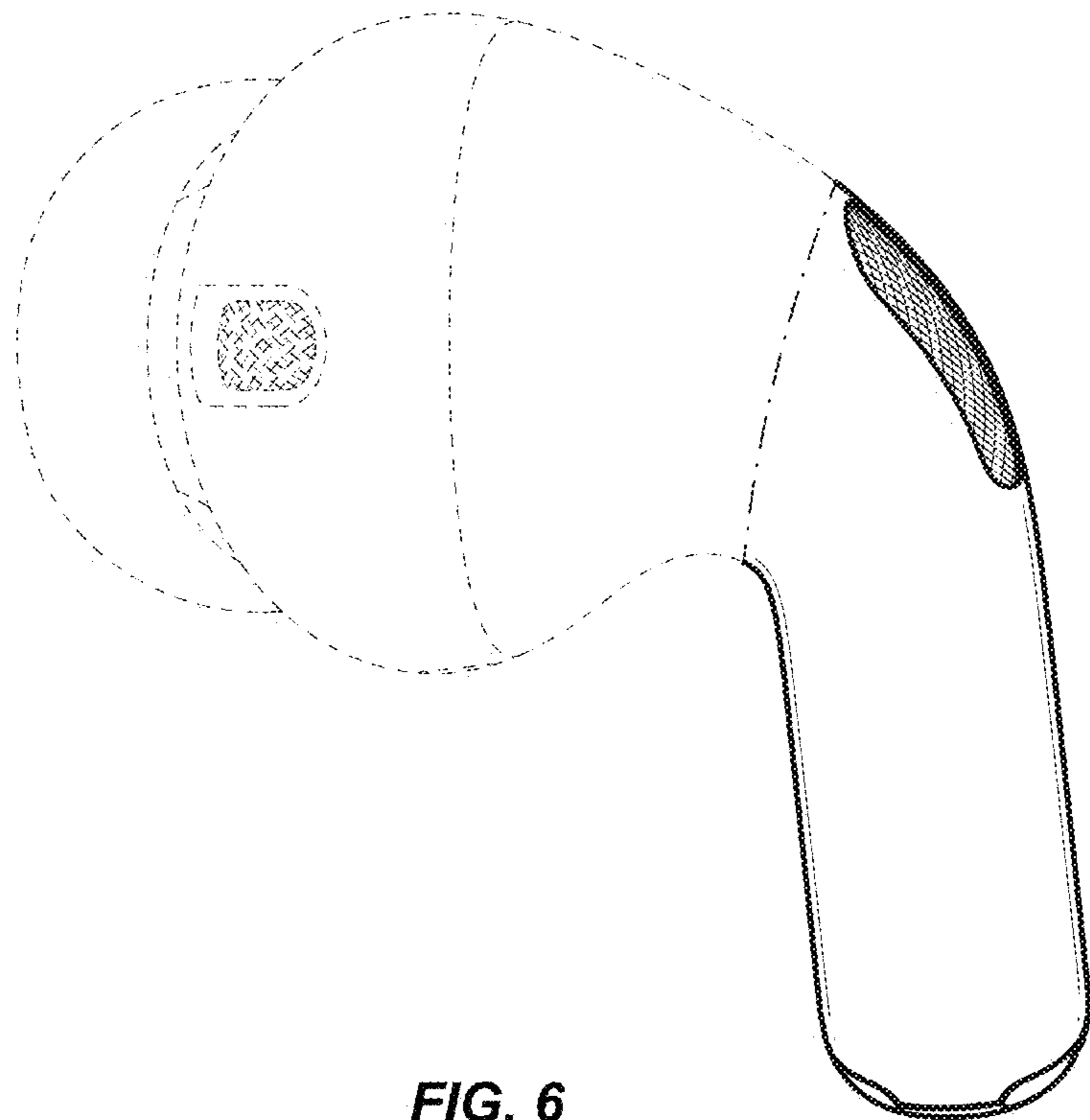
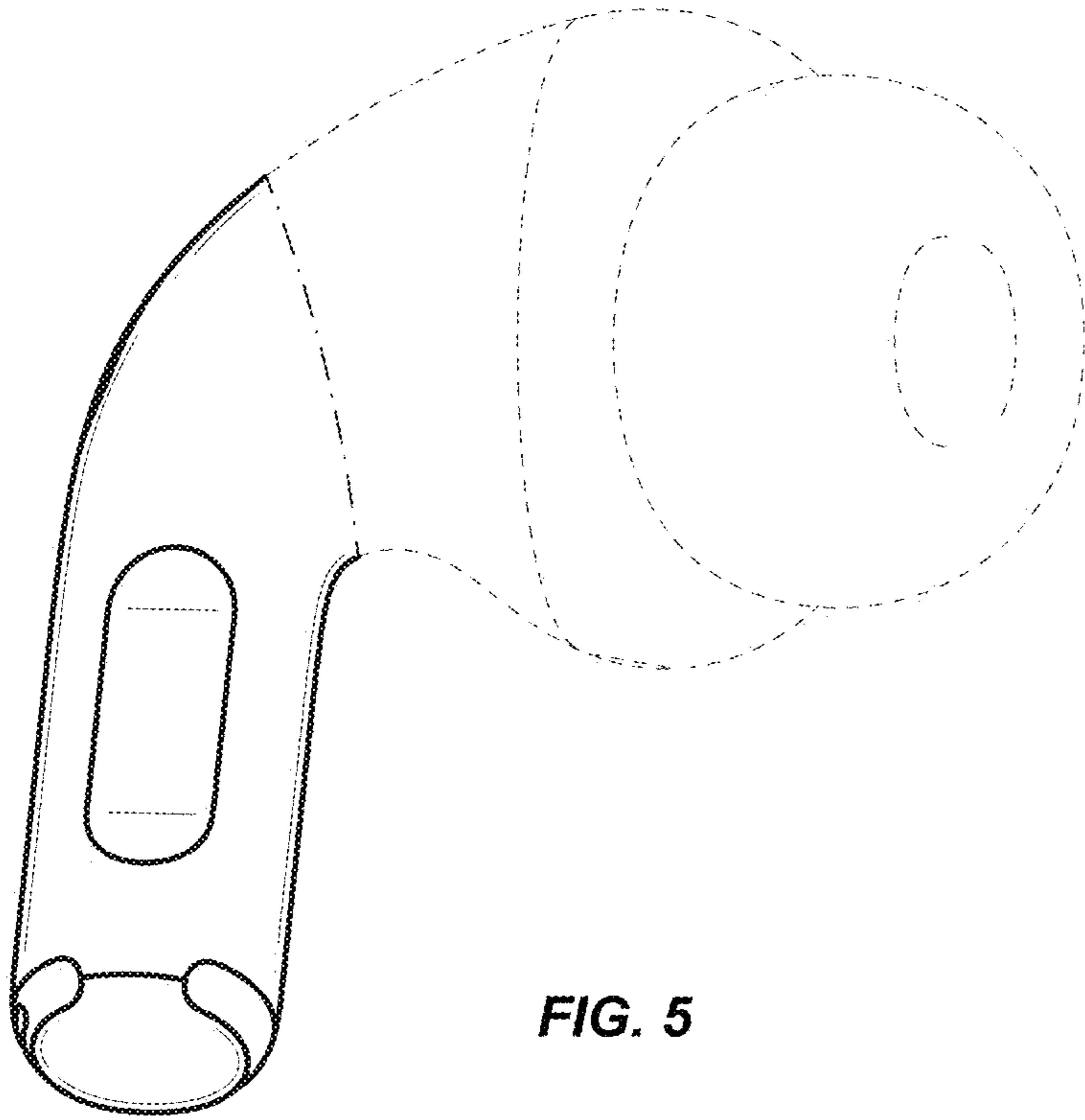
**FIG. 2**

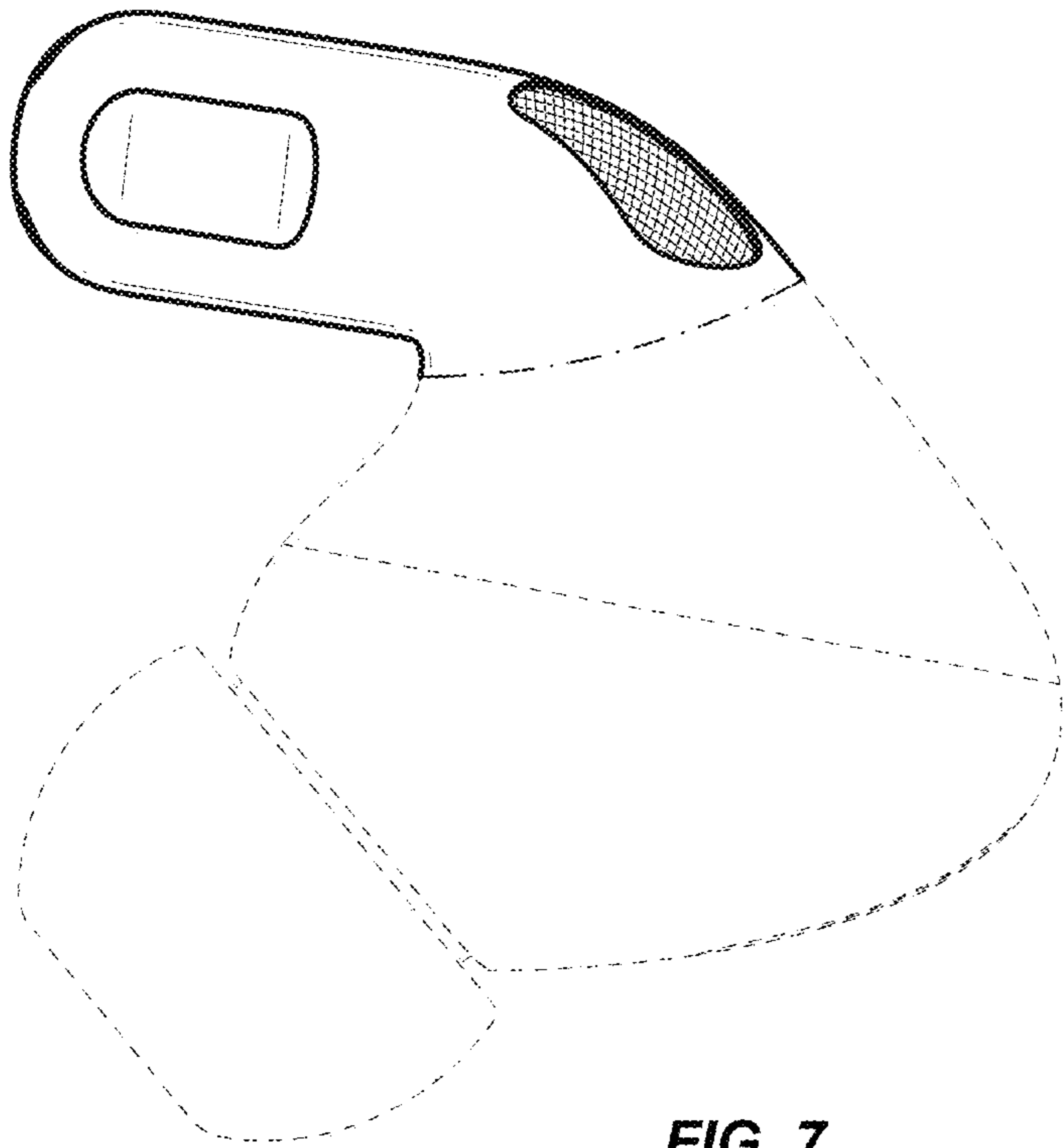


**FIG. 3**

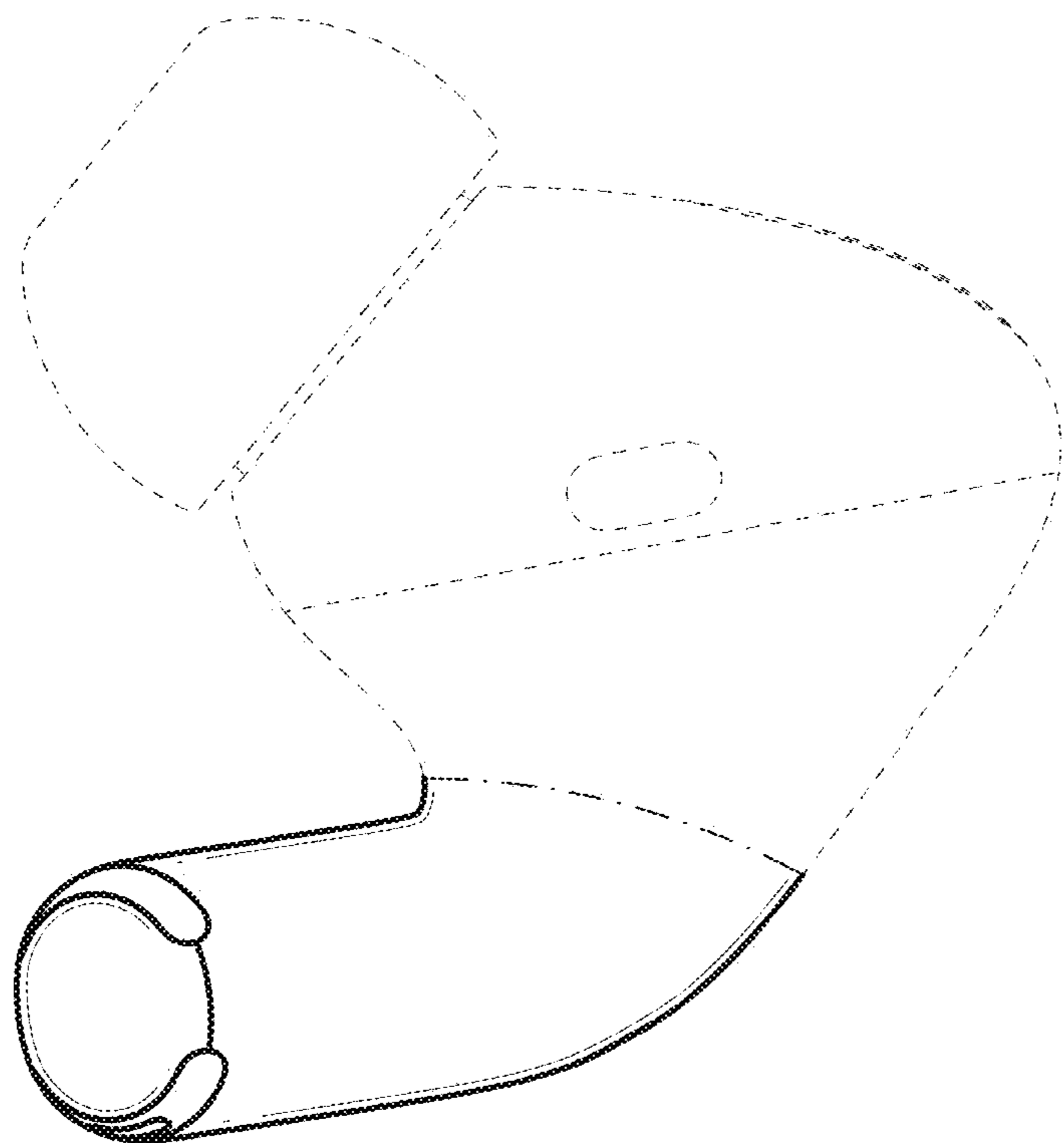


**FIG. 4**





**FIG. 7**



**FIG. 8**