



US00D929970S

(12) **United States Design Patent**
Lin

(10) **Patent No.:** **US D929,970 S**
(45) **Date of Patent:** **** Sep. 7, 2021**

- (54) **PAIR OF EARPHONES**
- (71) Applicant: **Shenzhen Qian Hai Woer Technology Limited., Guangdong (CN)**
- (72) Inventor: **Qi Lin, Guangdong (CN)**
- (73) Assignee: **Shenzhen Qian Hai Woer Technology Limited, Shenzhen (CN)**
- (**) Term: **15 Years**
- (21) Appl. No.: **29/746,076**
- (22) Filed: **Aug. 11, 2020**
- (51) **LOC (13) Cl.** **14-01**
- (52) **U.S. Cl.**
USPC **D14/223**
- (58) **Field of Classification Search**
USPC D14/223, 205; D24/174; 128/864, 865, 128/866; 381/380, 381, 322, 328; D13/108; 320/113; 455/90.3, 575.1, 455/569.1
CPC H04R 1/10; H04R 25/00; H04R 25/02; H04R 1/1066; H04R 1/1016; H04R 5/033; H04R 5/0335; H04R 1/105; H04R 1/1058; H04R 1/1083; H04R 1/1091
See application file for complete search history.

D711,356 S *	8/2014	Yang	D14/223
D719,139 S *	12/2014	Henry	D14/223
D719,550 S *	12/2014	Yang	D14/223
D725,082 S *	3/2015	Palmberg	D14/223
D726,145 S *	4/2015	Hsieh	D14/205
D727,871 S *	4/2015	Orbach	D14/205
D728,107 S *	4/2015	Torres Martin	D24/174
D733,102 S *	6/2015	Palmberg	D14/223
D733,103 S *	6/2015	Jeong	D14/224
D735,169 S *	7/2015	Shieh	D14/223
D742,861 S *	11/2015	Miyake	D14/223
D764,445 S *	8/2016	Czaniecki	D14/223
D773,032 S *	11/2016	Palmberg	D24/106
D773,439 S *	12/2016	Walker	D14/223
D777,710 S *	1/2017	Palmberg	D14/223

(Continued)

FOREIGN PATENT DOCUMENTS

EM	006309324-0001	*	3/2019
EM	008099535-0001	*	8/2020

(Continued)

Primary Examiner — Paula Allen Greene

(57) **CLAIM**

The ornamental design for an pair of earphones, as shown and described.

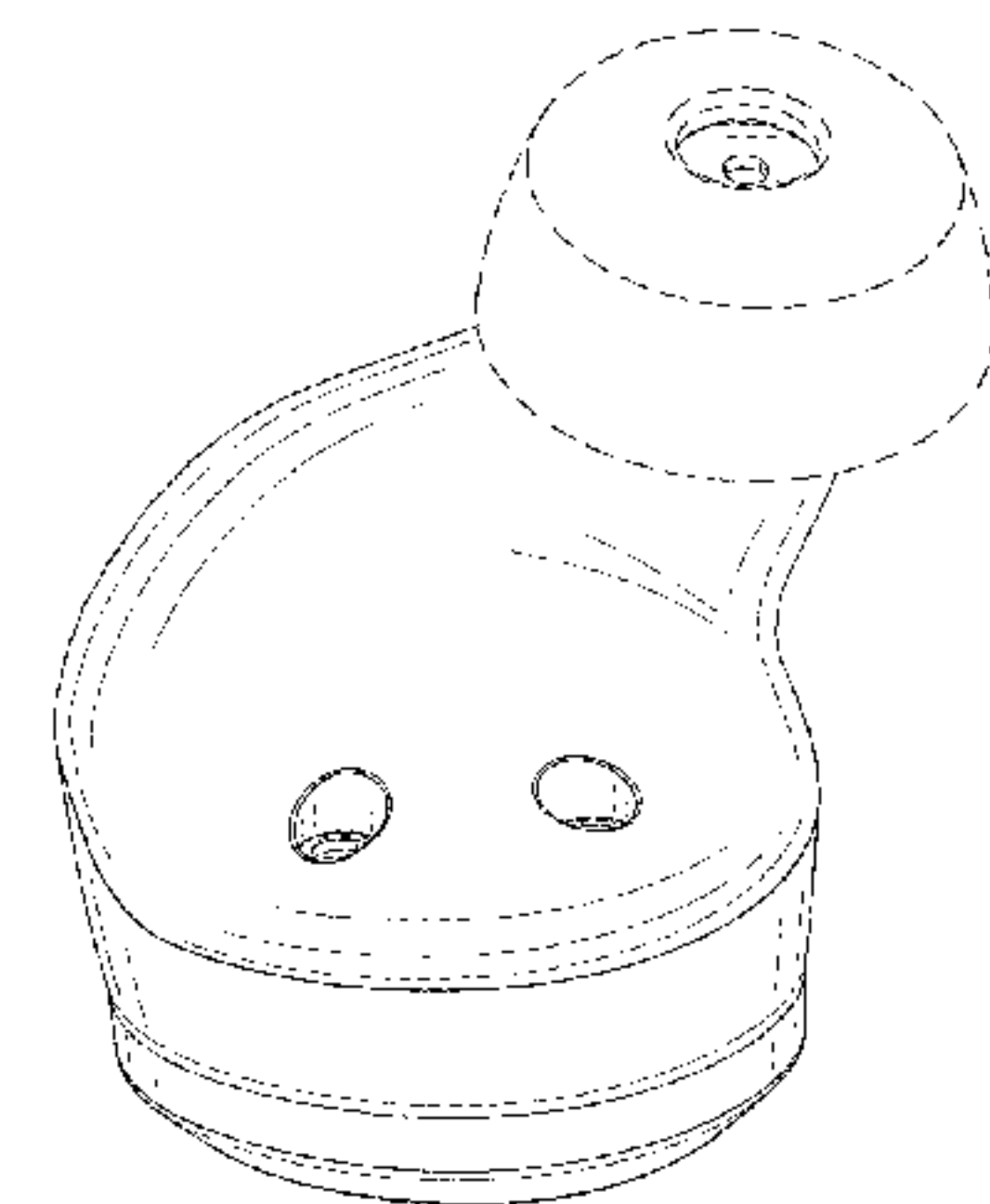
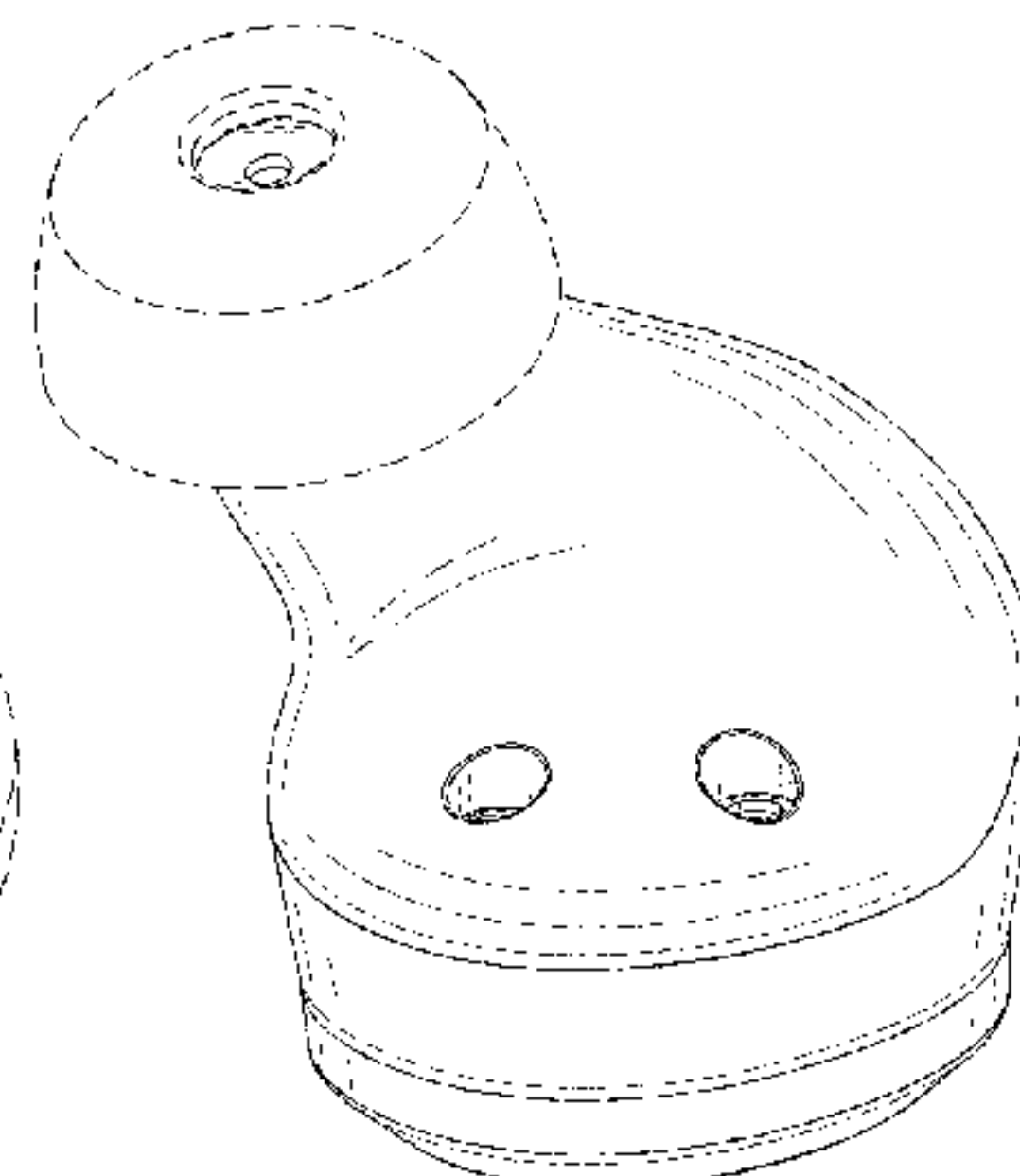
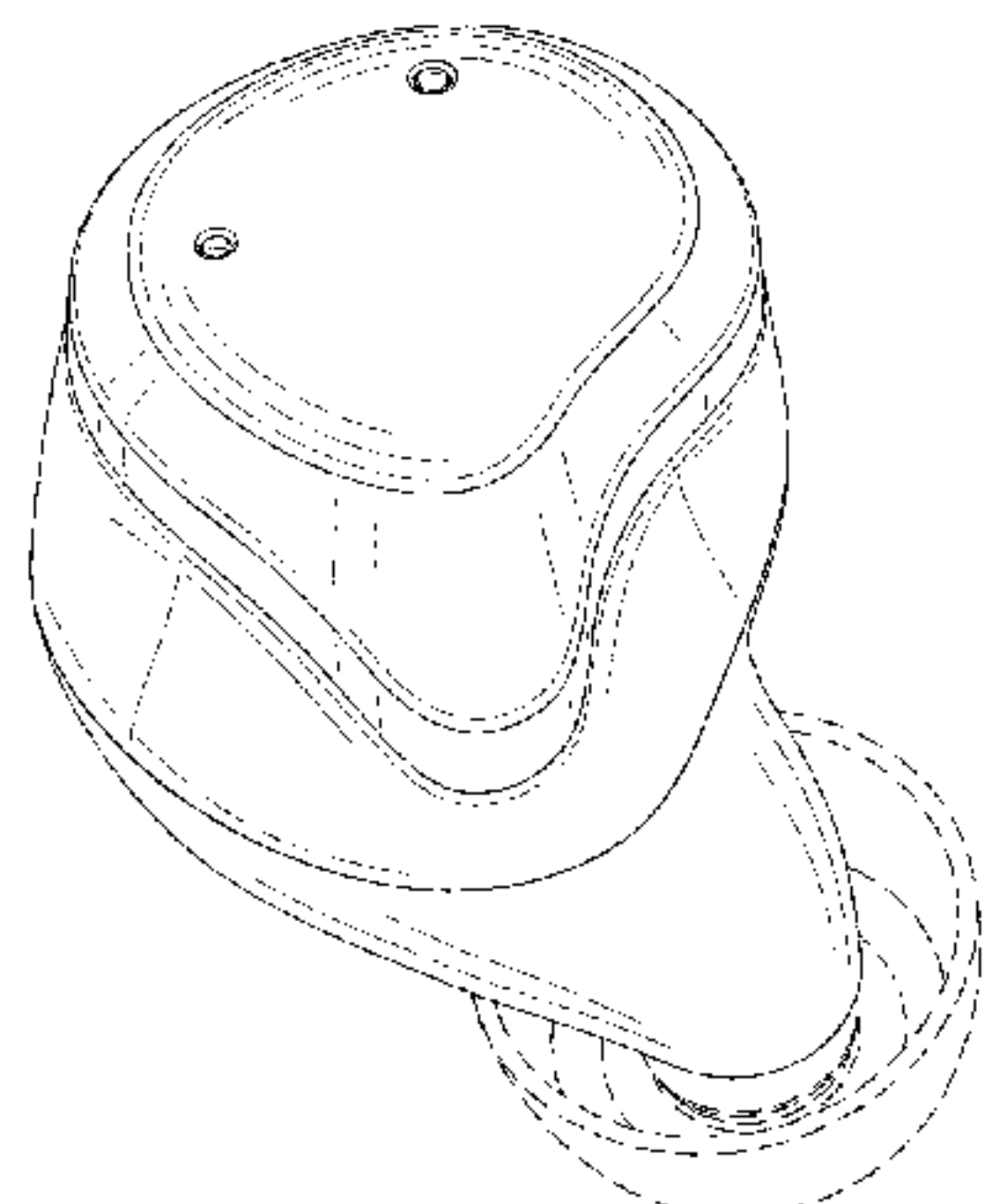
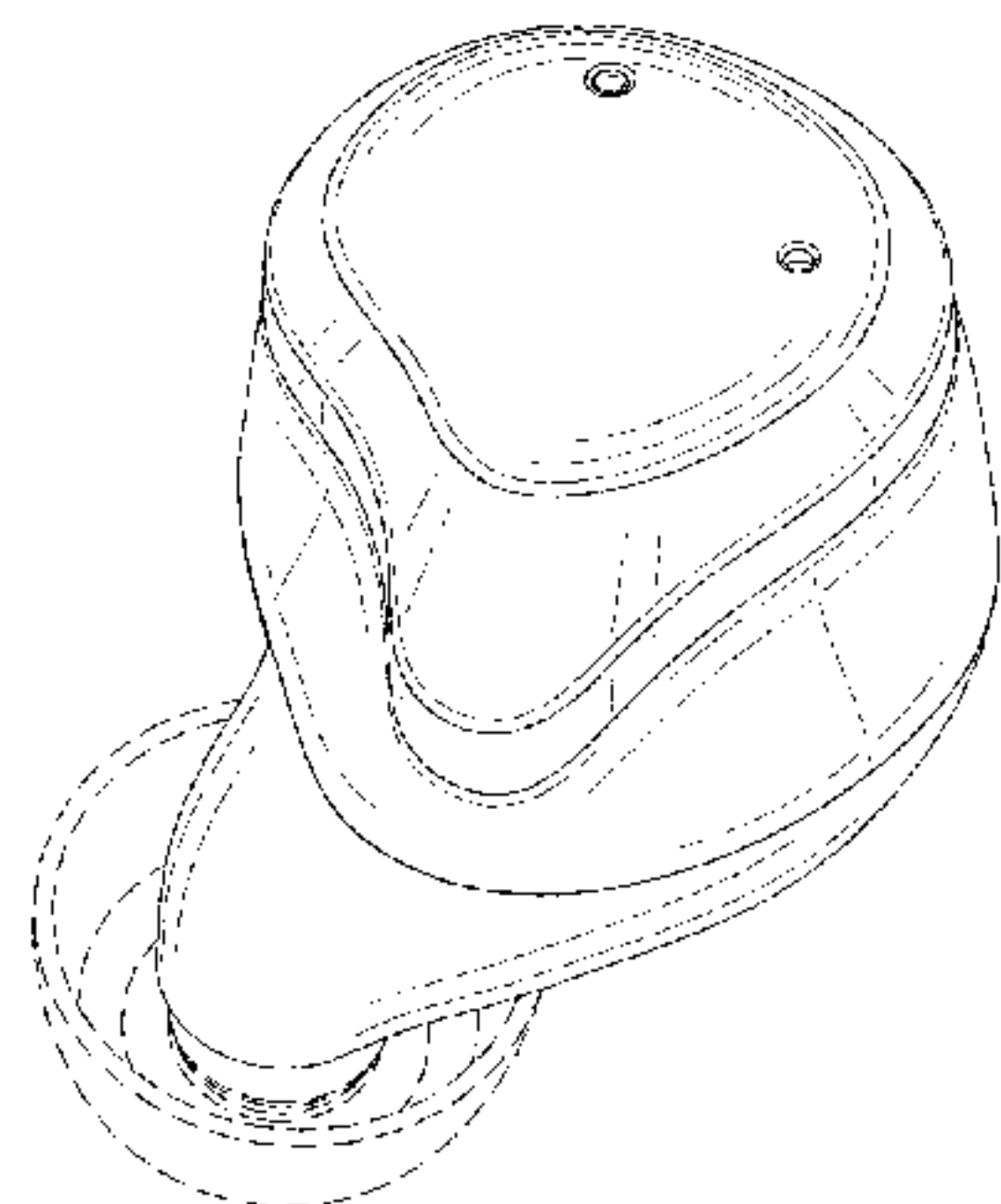
DESCRIPTION

FIG. 1 is a perspective view of an pair of earphones showing my new design;
 FIG. 2 is another perspective view thereof;
 FIG. 3 is a front elevation view thereof;
 FIG. 4 is a back elevation view thereof;
 FIG. 5 is a left side view thereof;
 FIG. 6 is a right side view thereof;
 FIG. 7 is a top plan view thereof; and,
 FIG. 8 is a bottom plan view thereof.
 The broken lines in the drawing depict environmental subject matter only and form no part of the claimed design.

1 Claim, 8 Drawing Sheets

(56) **References Cited**
U.S. PATENT DOCUMENTS

D519,108 S *	4/2006	Yang	D14/223
D588,111 S *	3/2009	Komiyama	D14/223
D603,380 S *	11/2009	Hutchieson	D14/223
D641,010 S *	7/2011	Kwon	D14/223
D652,822 S *	1/2012	Lee	D14/223
D654,056 S *	2/2012	Hoggarth	D14/223
D666,581 S *	9/2012	Perez	D14/223
D685,764 S *	7/2013	Coulter	D14/205
D699,226 S *	2/2014	Yoon	D14/223



(56)

References Cited

U.S. PATENT DOCUMENTS

D778,267 S * 2/2017 Hsieh D14/223
 D781,269 S * 3/2017 Choe D14/223
 D782,997 S * 4/2017 Shin D14/205
 D782,998 S * 4/2017 Shin D14/205
 D788,079 S * 5/2017 Son D14/223
 D798,843 S * 10/2017 Valenzuela D14/223
 D800,097 S * 10/2017 Chen D14/223
 D803,432 S 11/2017 Choi
 D805,060 S * 12/2017 Loermann D14/223
 D806,879 S * 1/2018 Horbinski D24/174
 D810,054 S * 2/2018 Yuan D14/223
 D812,042 S * 3/2018 Xiao D14/223
 D813,206 S * 3/2018 Tang D14/223
 D817,309 S * 5/2018 Czaniecki D14/223
 D838,015 S 1/2019 McMahan et al.
 D838,883 S 1/2019 Ko
 D841,626 S * 2/2019 Tang D14/223
 D841,627 S * 2/2019 Wen D14/223
 D843,354 S * 3/2019 Kumano D14/223
 D845,932 S * 4/2019 Lu D14/223
 D846,532 S * 4/2019 Xiao D14/223
 D855,589 S * 8/2019 Madsen D14/223
 D864,167 S * 10/2019 Wu D14/223
 D870,707 S * 12/2019 Yang D14/223
 D873,248 S * 1/2020 Weicheng D14/223
 D880,457 S * 4/2020 Zhu D14/223
 D887,395 S * 6/2020 Wang D14/223
 D889,441 S * 7/2020 Lin D14/223
 D892,086 S * 8/2020 Bonahoom D14/223
 D892,769 S * 8/2020 Cai D14/223
 D894,123 S * 8/2020 Xiong D13/108
 D895,580 S * 9/2020 Yu D14/223
 D896,207 S * 9/2020 He D14/223

D897,319 S * 9/2020 Wang D14/223
 D897,322 S * 9/2020 Wei D14/223
 D897,575 S 9/2020 Manzoni
 D897,996 S * 10/2020 Mei D14/223
 D899,405 S * 10/2020 Vaclavik D14/223
 D900,064 S * 10/2020 Laffon de Mazieres D14/223
 D902,182 S * 11/2020 Wang D14/223
 D902,184 S * 11/2020 Yang D14/223
 D903,638 S * 12/2020 Li D14/223
 D904,350 S * 12/2020 Zhou D14/223
 D905,664 S * 12/2020 He D14/223
 D908,667 S * 1/2021 He D14/223
 D909,995 S * 2/2021 Cai D14/223
 D914,650 S * 3/2021 Hu D14/223
 D915,358 S * 4/2021 Ma D14/223
 D917,425 S * 4/2021 Wang D14/223
 D918,177 S * 5/2021 Kosaka D14/223
 D918,181 S * 5/2021 Bailey D14/223
 D918,873 S * 5/2021 Deng D14/223
 D920,288 S * 5/2021 Vautour D14/223
 D920,958 S * 6/2021 Ye D14/223
 2011/0155147 A1 * 6/2011 McIntosh A61F 11/08
 128/864
 2020/0177981 A1 * 6/2020 Ma H04R 1/1016
 2020/0186906 A1 * 6/2020 Birch H04R 1/1016
 2020/0374632 A1 * 11/2020 Wang H04R 5/033
 2021/0037307 A1 * 2/2021 Huang H04R 1/1058

FOREIGN PATENT DOCUMENTS

EM 008166235-0002 * 9/2020
 EM 008312557-0002 * 12/2020
 EM 008534457-0001 * 5/2021
 GB 9008265250-0001 * 11/2020

* cited by examiner

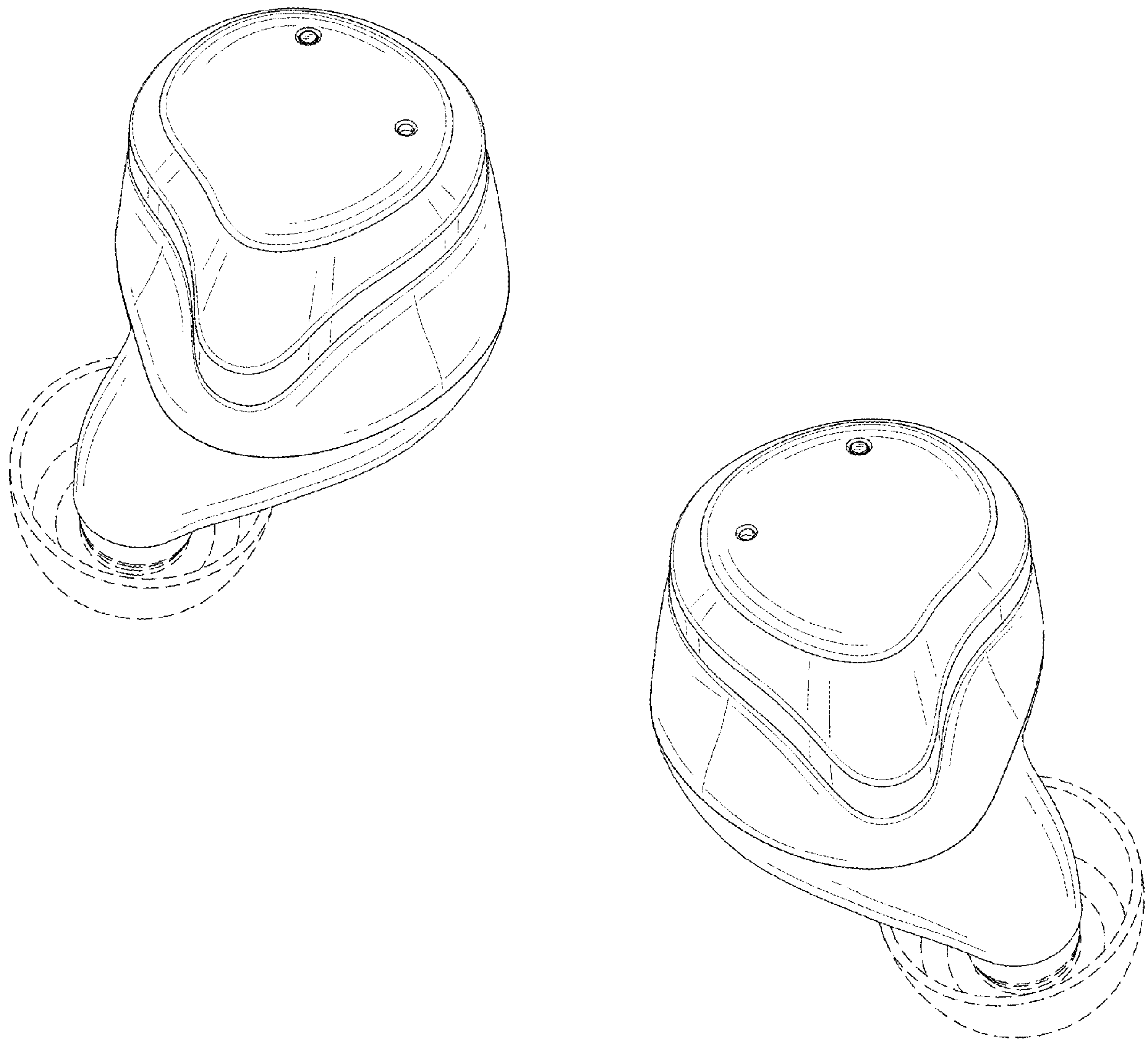


FIG. 1

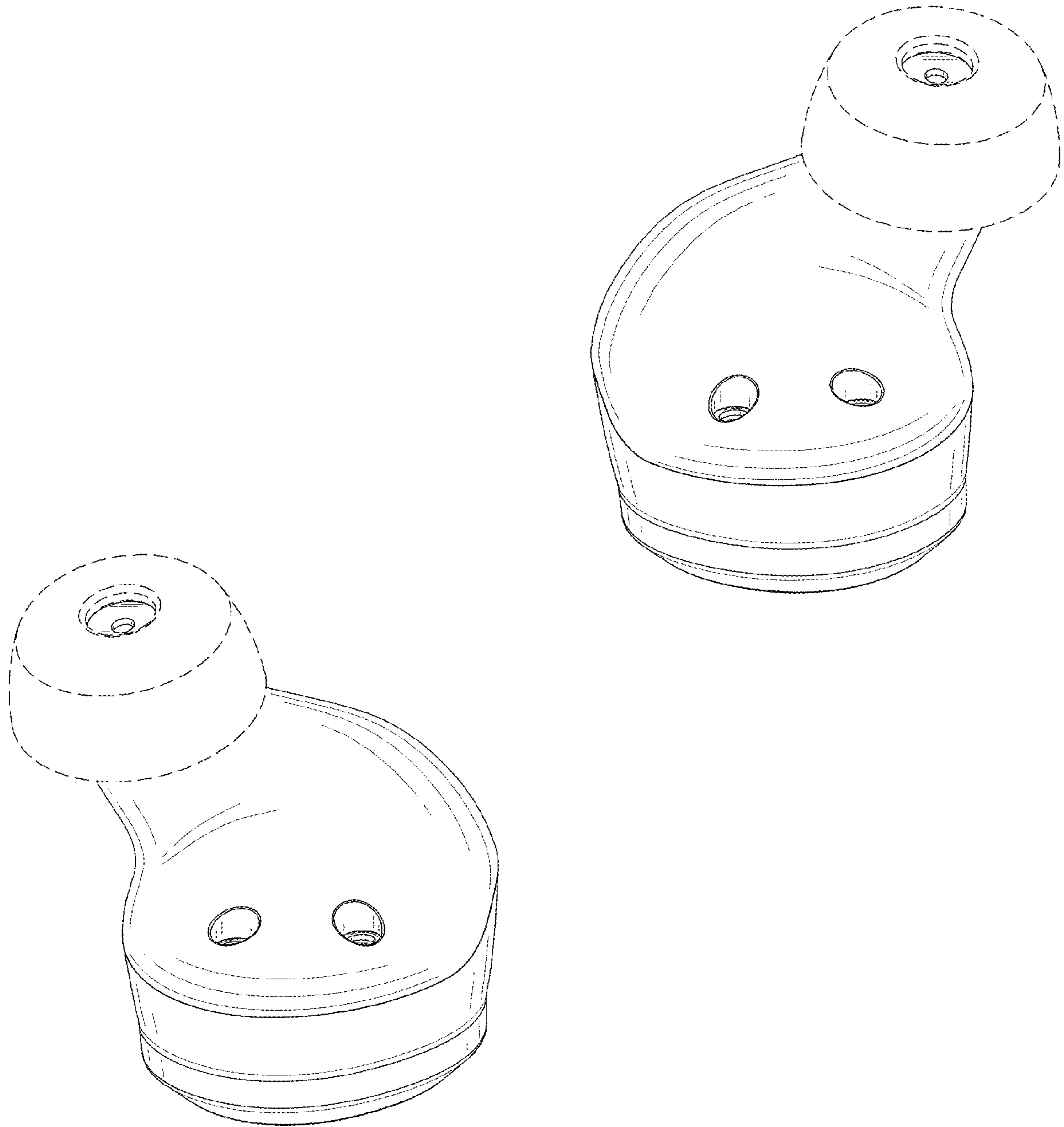


FIG. 2

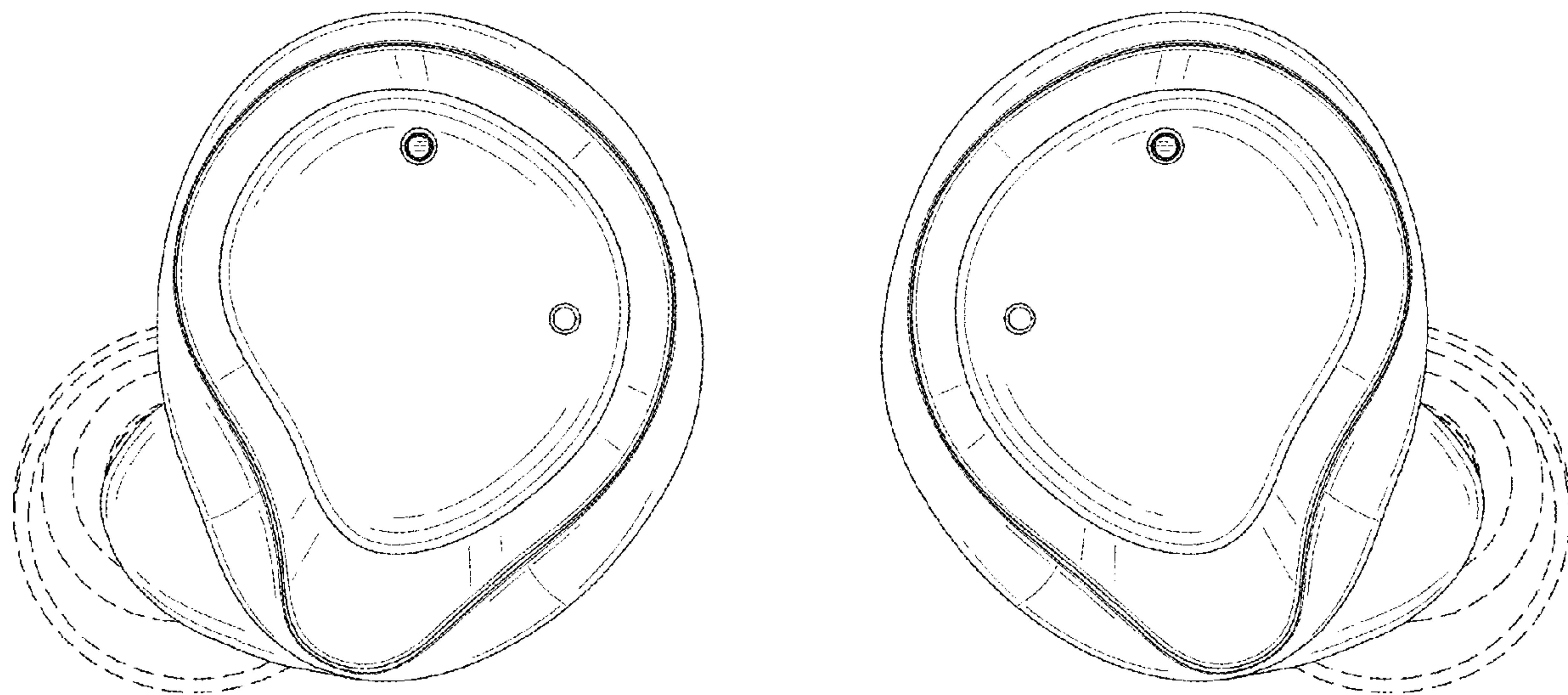


FIG. 3

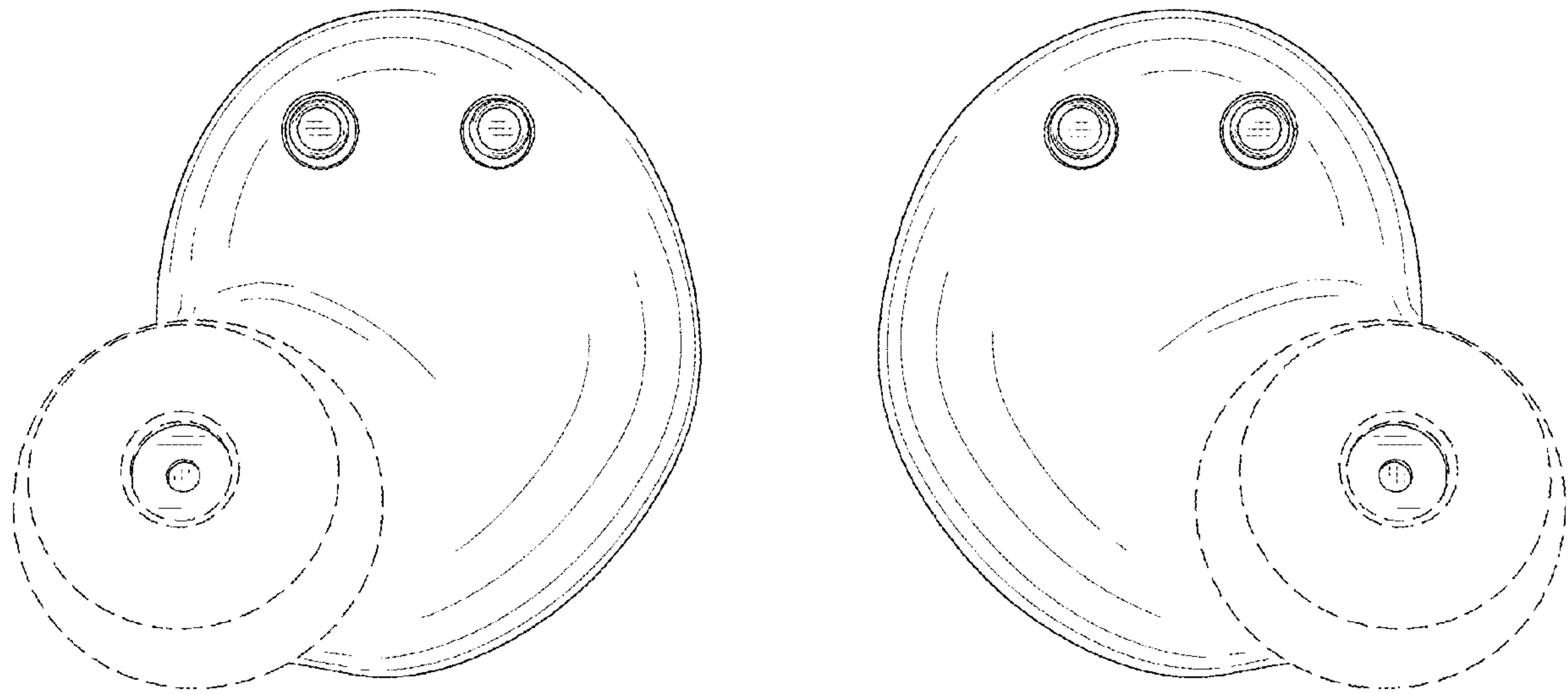


FIG. 4

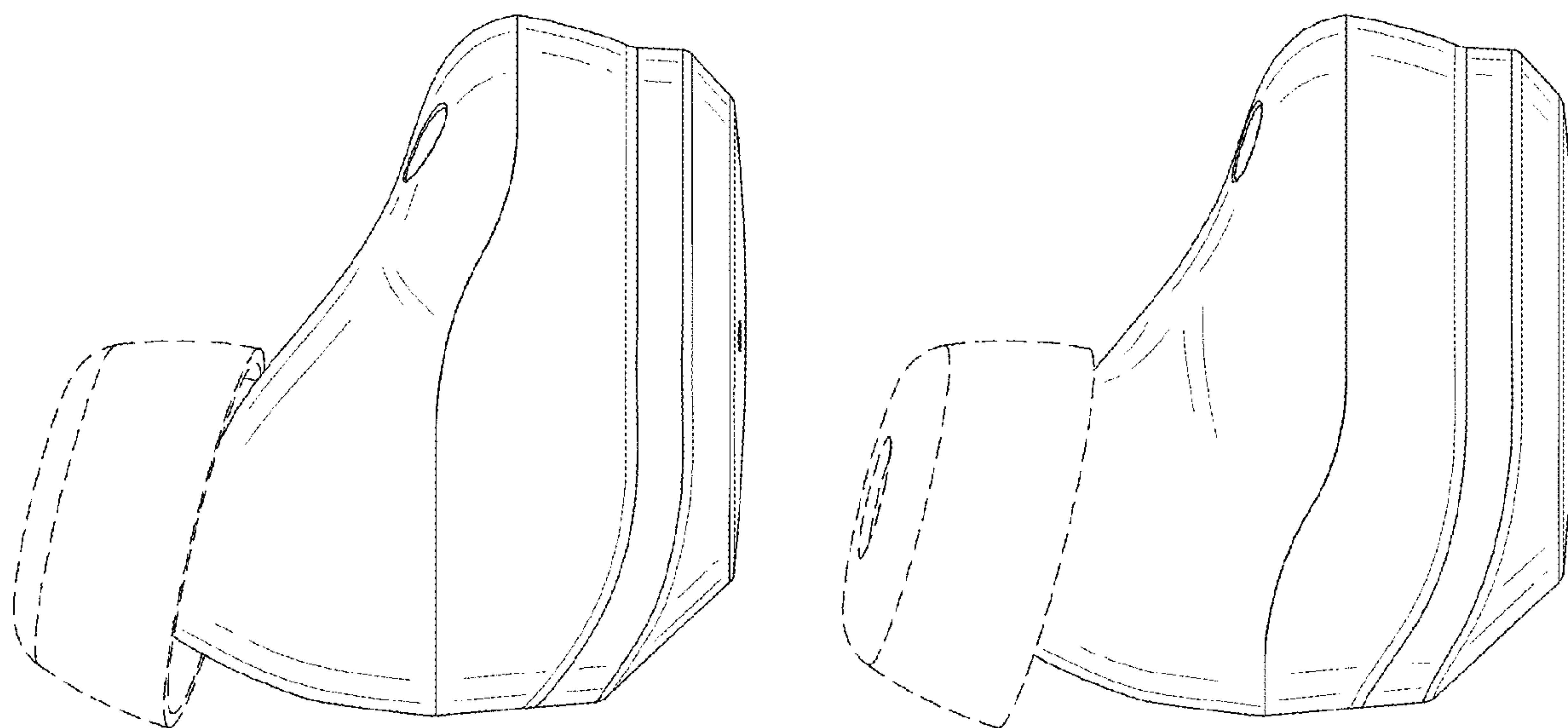


FIG. 5

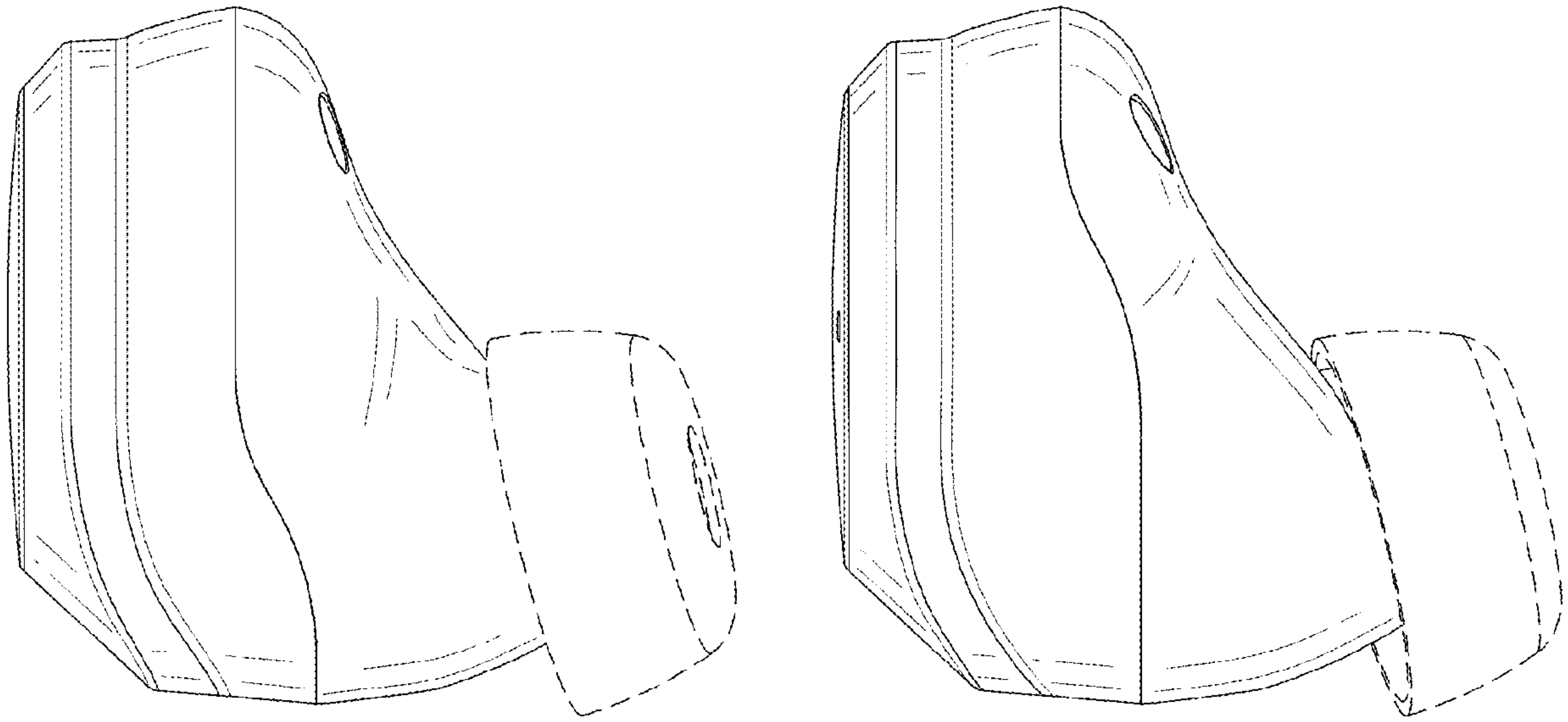


FIG. 6

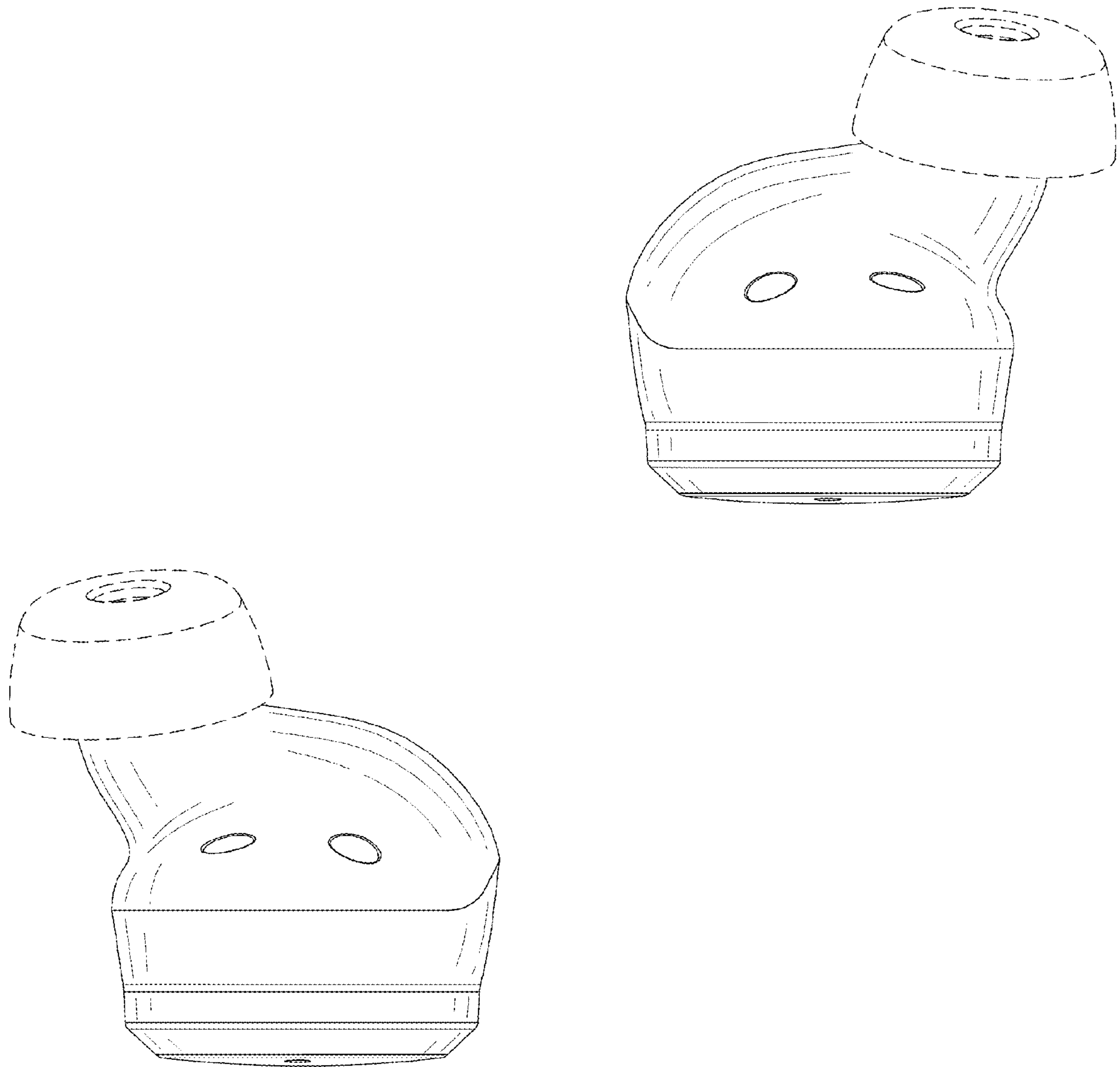


FIG. 7

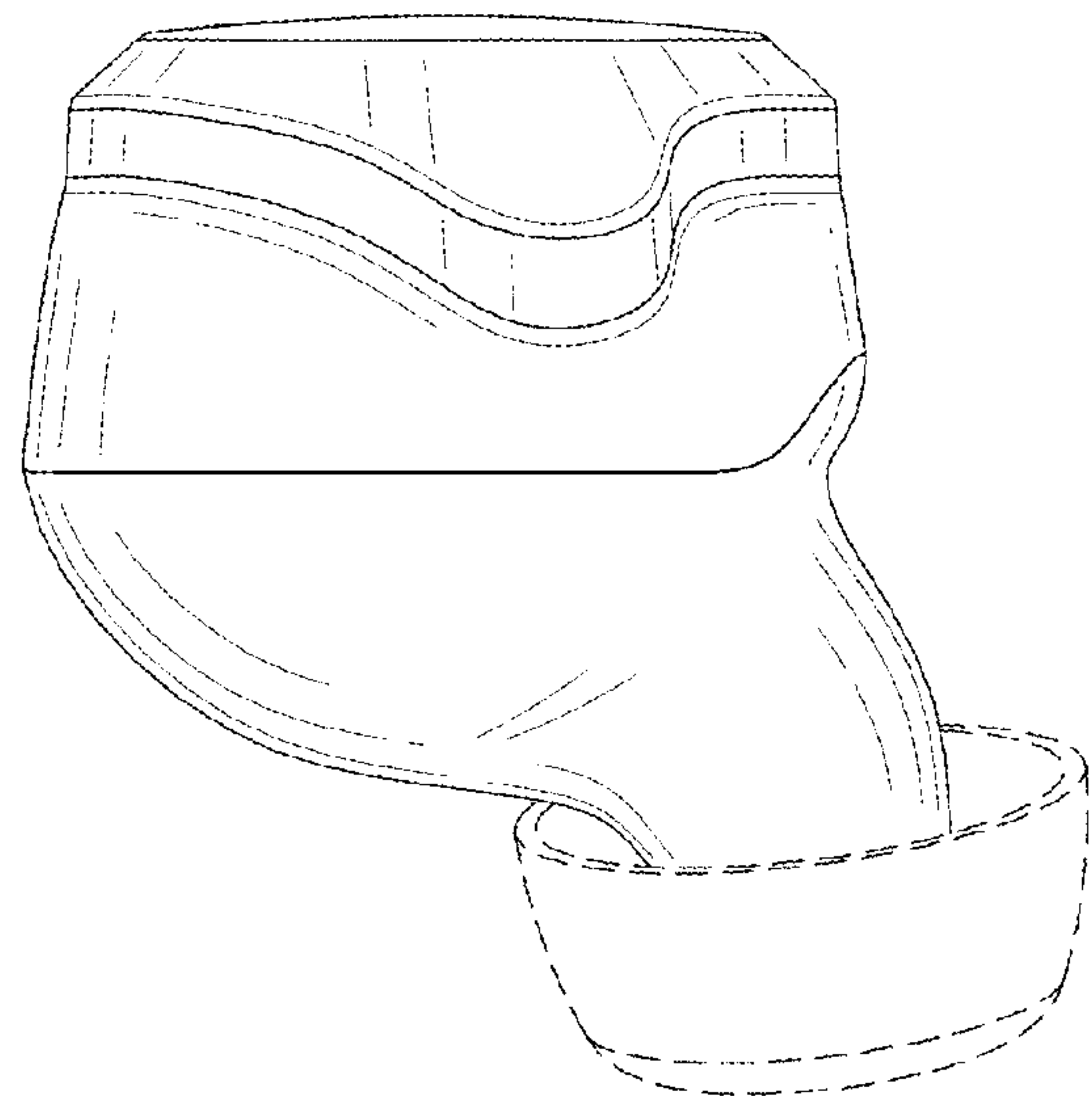
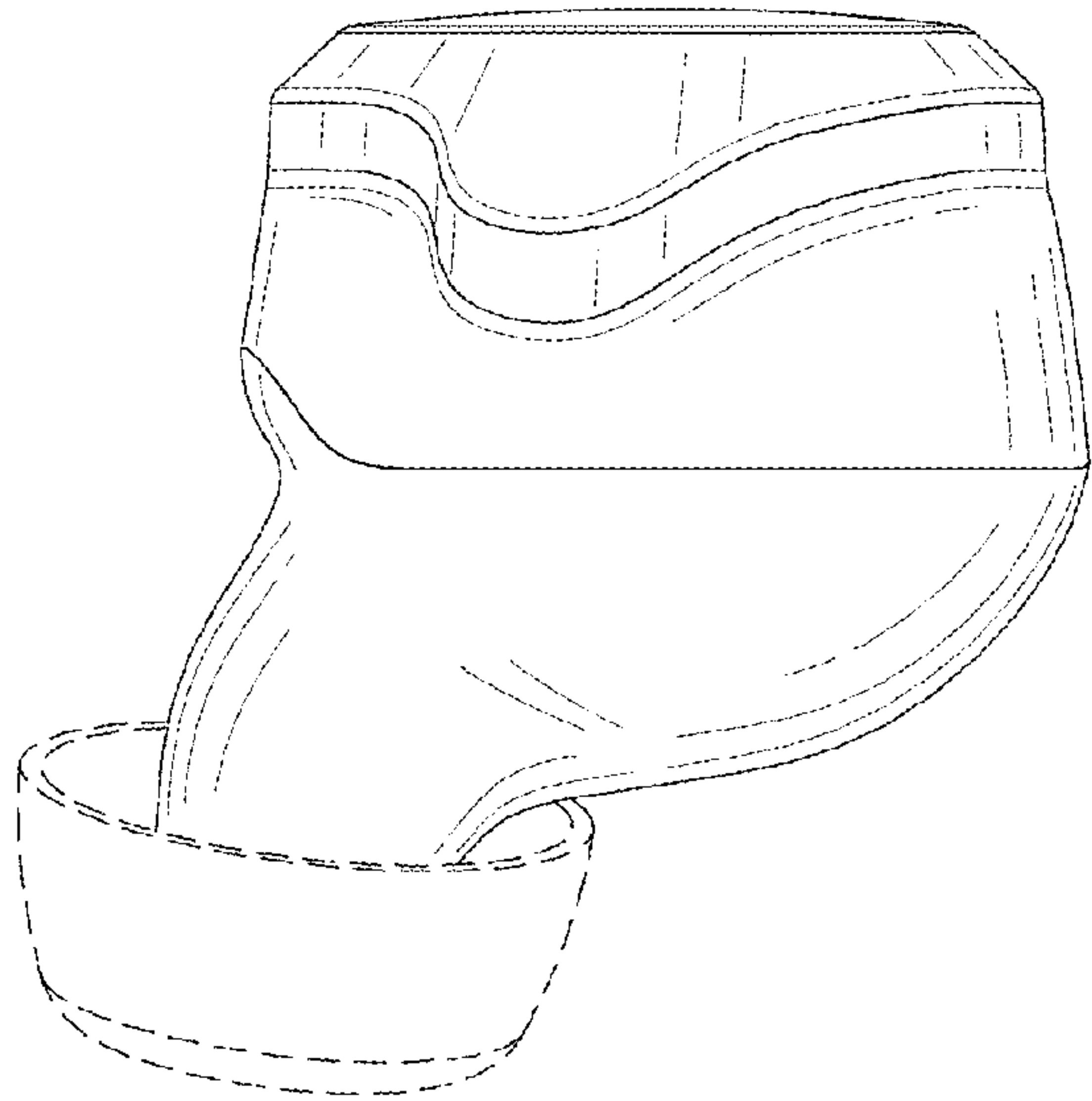


FIG. 8