



US00D929968S

(12) **United States Design Patent** (10) **Patent No.:** **US D929,968 S**  
**Yan** (45) **Date of Patent:** **\*\* Sep. 7, 2021**

(54) **WIRELESS HEADSET**

(71) Applicant: **SHENZHEN FUSHIKE ELECTRONIC CO., LTD**, Shenzhen (CN)

(72) Inventor: **Xiaohuang Yan**, Fuzhou (CN)

(73) Assignee: **SHENZHEN FUSHIKE ELECTRONIC CO., LTD**, Shenzhen (CN)

(\*\*) Term: **15 Years**

(21) Appl. No.: **29/719,549**

(22) Filed: **Jan. 6, 2020**

(51) **LOC (13) Cl.** ..... **14-01**

(52) **U.S. Cl.**  
USPC ..... **D14/223**

(58) **Field of Classification Search**  
USPC ... D14/205, 207, 217, 221, 223, 224, 224.1, D14/225; D24/173, 174  
CPC ..... H04R 1/10; H04R 1/1016; H04R 1/1066; H04R 1/105; H04R 1/1033; H04R 1/08; H04R 5/033; H04R 5/0335; H04R 25/00  
See application file for complete search history.

(56) **References Cited**

**U.S. PATENT DOCUMENTS**

D512,984 S *	12/2005	Ham	.....	D14/205
D521,492 S *	5/2006	Ham	.....	D14/205
D535,980 S *	1/2007	Bentley	.....	D14/225
D539,266 S *	3/2007	Bentley	.....	D14/205
D612,840 S *	3/2010	Yang	.....	D14/223
D647,877 S *	11/2011	Son	.....	D14/206
D657,347 S *	4/2012	Chung	.....	D14/206
D681,002 S *	4/2013	Ham	.....	D14/205
D681,003 S *	4/2013	Ham	.....	D14/206
D681,014 S *	4/2013	Ham	.....	D14/223
RE45,056 E *	8/2014	Yang	.....	D14/206
D725,637 S *	3/2015	Nakajima	.....	D14/223
D784,290 S *	4/2017	Paterson	.....	D14/205

D784,291 S *	4/2017	Paterson	.....	D14/206
D789,331 S *	6/2017	Paterson	.....	D14/225
D797,076 S *	9/2017	Zhang	.....	D14/206

(Continued)

**FOREIGN PATENT DOCUMENTS**

CN	304030015	*	2/2017
CN	304321811	*	10/2017

(Continued)

**OTHER PUBLICATIONS**

Bluetooth Headset, announced Nov. 5, 2019 [online], retrieved Feb. 23, 2021, retrieved from internet, <https://www.amazon.com/Bluetooth-Cancelling-Earpiece-Talktime-Hands-Free/dp/B0811SQ8KM>.\*

(Continued)

*Primary Examiner* — Dana K Weiland  
*Assistant Examiner* — Messina L Smith  
(74) *Attorney, Agent, or Firm* — Li & Cai Intellectual Property (USA) Office

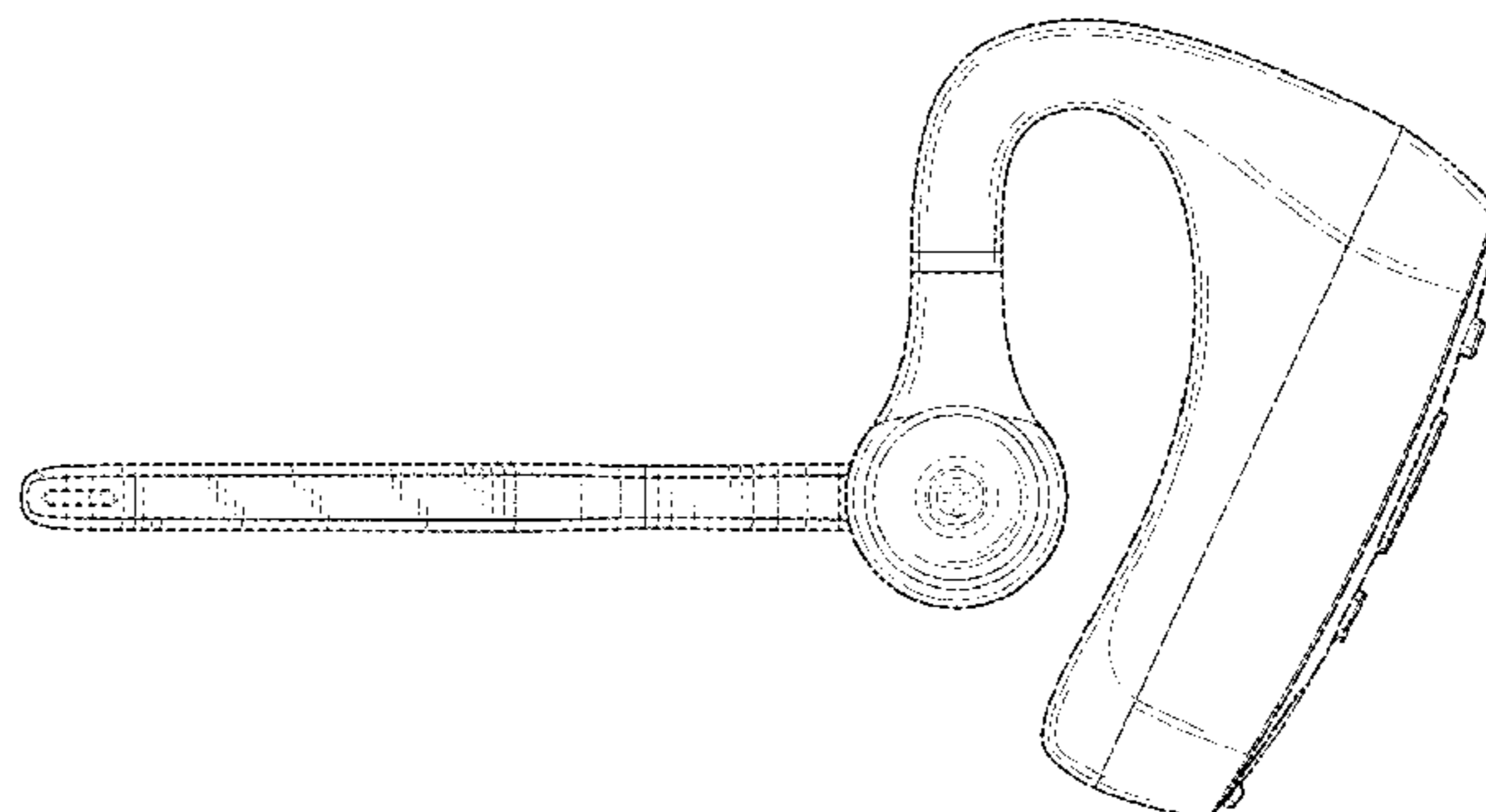
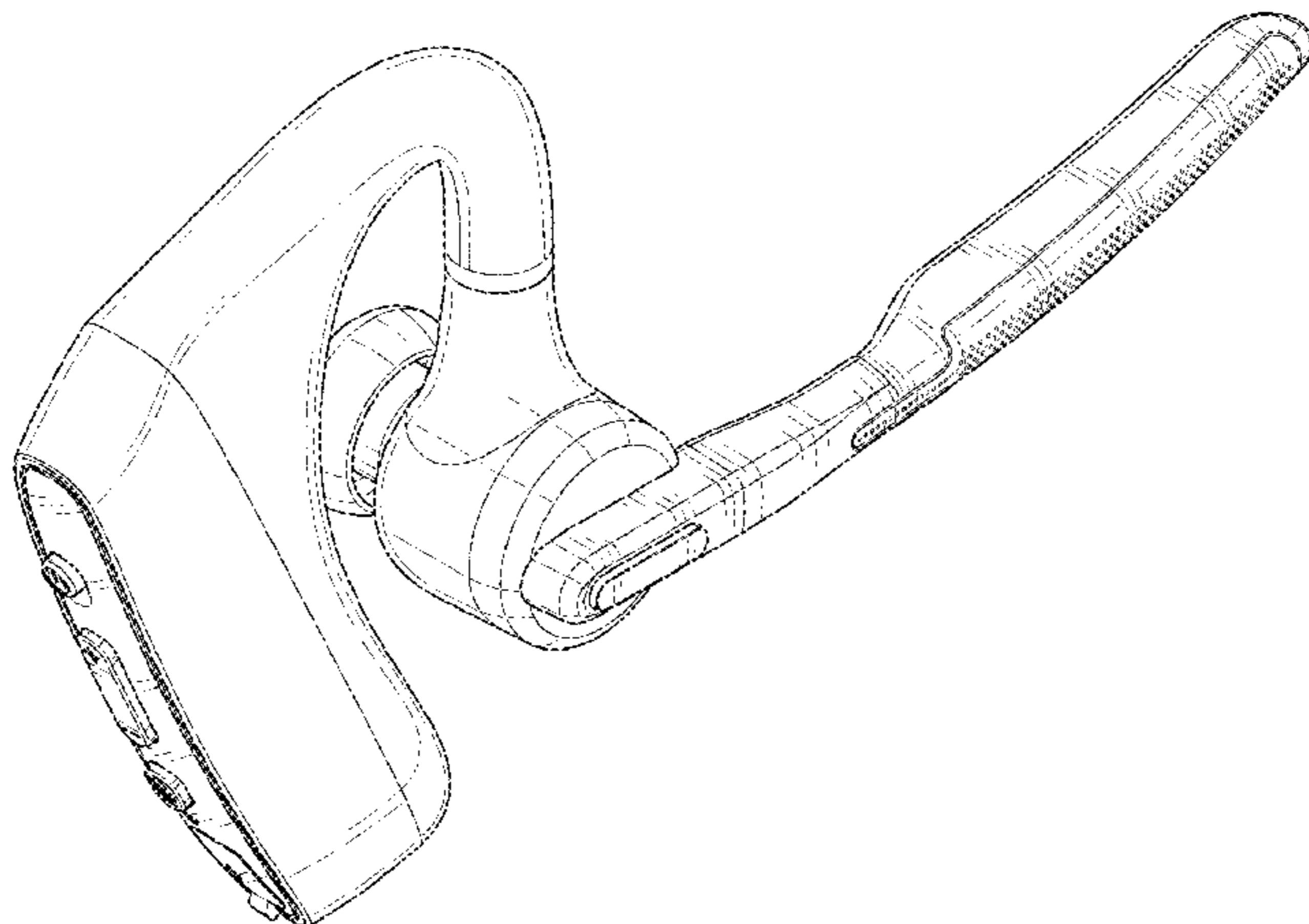
(57) **CLAIM**

The ornamental design for a wireless headset, as shown and described.

**DESCRIPTION**

FIG. 1 is a front, top and right perspective view of a wireless headset showing my new design;  
FIG. 2 is a front elevational view thereof;  
FIG. 3 is a rear elevational view thereof;  
FIG. 4 is a left side elevational view thereof;  
FIG. 5 is a right side elevational view thereof;  
FIG. 6 is a top plan view thereof; and,  
FIG. 7 is a bottom plan view thereof.  
The broken lines depict portions of the wireless headset in which the design is embodied that forms no part of the claimed design.

**1 Claim, 7 Drawing Sheets**



(56)

References Cited

U.S. PATENT DOCUMENTS

D800,692 S \* 10/2017 Tan ..... D14/206  
 D804,034 S \* 11/2017 Gabathuler ..... D24/174  
 D804,035 S \* 11/2017 Gabathuler ..... D24/174  
 D812,040 S \* 3/2018 Yan ..... D14/206  
 D830,338 S \* 10/2018 Yan ..... D14/206  
 D836,599 S \* 12/2018 Duan ..... D14/206  
 D838,688 S \* 1/2019 Liu ..... D14/206  
 D851,065 S \* 6/2019 Yan ..... D14/206  
 D855,036 S \* 7/2019 Yan ..... D14/206  
 10,382,851 B1 \* 8/2019 Smith ..... H04R 1/1016  
 D863,254 S \* 10/2019 Hu ..... D14/206  
 D870,697 S \* 12/2019 Guo ..... D14/206  
 D872,707 S \* 1/2020 Liu ..... D14/206  
 D879,068 S \* 3/2020 Yan ..... D14/206  
 D883,951 S \* 5/2020 Yan ..... D14/206  
 D886,798 S \* 6/2020 Yan ..... D14/206  
 D900,784 S \* 11/2020 Yan ..... D14/206  
 D903,634 S \* 12/2020 Lu ..... D14/206  
 D903,635 S \* 12/2020 Liu ..... D14/206  
 2007/0172091 A1 \* 7/2007 Tsai ..... H04R 1/1025  
 381/381  
 2008/0152183 A1 \* 6/2008 Janik ..... H04M 1/05  
 381/375  
 2009/0318081 A1 \* 12/2009 Winter ..... H04M 1/2535  
 455/41.2  
 2010/0197227 A1 \* 8/2010 Heo ..... H04R 1/1041  
 455/41.2  
 2011/0053509 A1 \* 3/2011 Ham ..... H04M 1/6066  
 455/41.3  
 2012/0244813 A1 \* 9/2012 Liao ..... H04R 1/1091  
 455/41.3

2013/0345170 A1 \* 12/2013 Eddy ..... A01N 55/00  
 514/63  
 2015/0189419 A1 \* 7/2015 Davie ..... H04R 1/105  
 381/381  
 2020/0137476 A1 \* 4/2020 Shinmen ..... H04R 1/105

FOREIGN PATENT DOCUMENTS

CN 304380341 \* 12/2017  
 CN 304641996 \* 5/2018  
 CN 304762898 \* 8/2018

OTHER PUBLICATIONS

Bluetooth Headset with Mic, announced © 2020 [online], retrieved Feb. 23, 2021, retrieved from internet, <https://www.ambartraders.com/bluetooth-headset-with-mic/>.  
 Business Voyager Plus Easy Val.You Business Bluetooth Headset, announced Nov. 23, 2018 [online], retrieved Feb. 23, 2021, retrieved from internet, <https://www.amazon.in/Business-Voyager-Val-You-Bluetooth-Headset/dp/B07931S622>.  
 New Behind-the-ear sports business Bluetooth headset, announced © 2021 [online], retrieved Feb. 23, 2021, retrieved from internet, <https://www.globalsources.com/Wireless-earphone/High-quality-Bluetooth-headset-1172918510p.htm#1172918510>.  
 2021 Newest K10 Bluetooth Earphones Stereo Handsfree, announced Aug. 28, 2020 [online], retrieved Feb. 23, 2021, retrieved from internet, <https://www.aliexpress.com/item/32827030567.html>.  
 V8S Wireless Bluetooth Headset, announced © 2012-2021 [online], retrieved Feb. 23, 2021, retrieved from internet, <https://www.geekbuying.com/item/V8S-Wireless-Bluetooth-Headset-with-Mic-Black-380738.html>.

\* cited by examiner

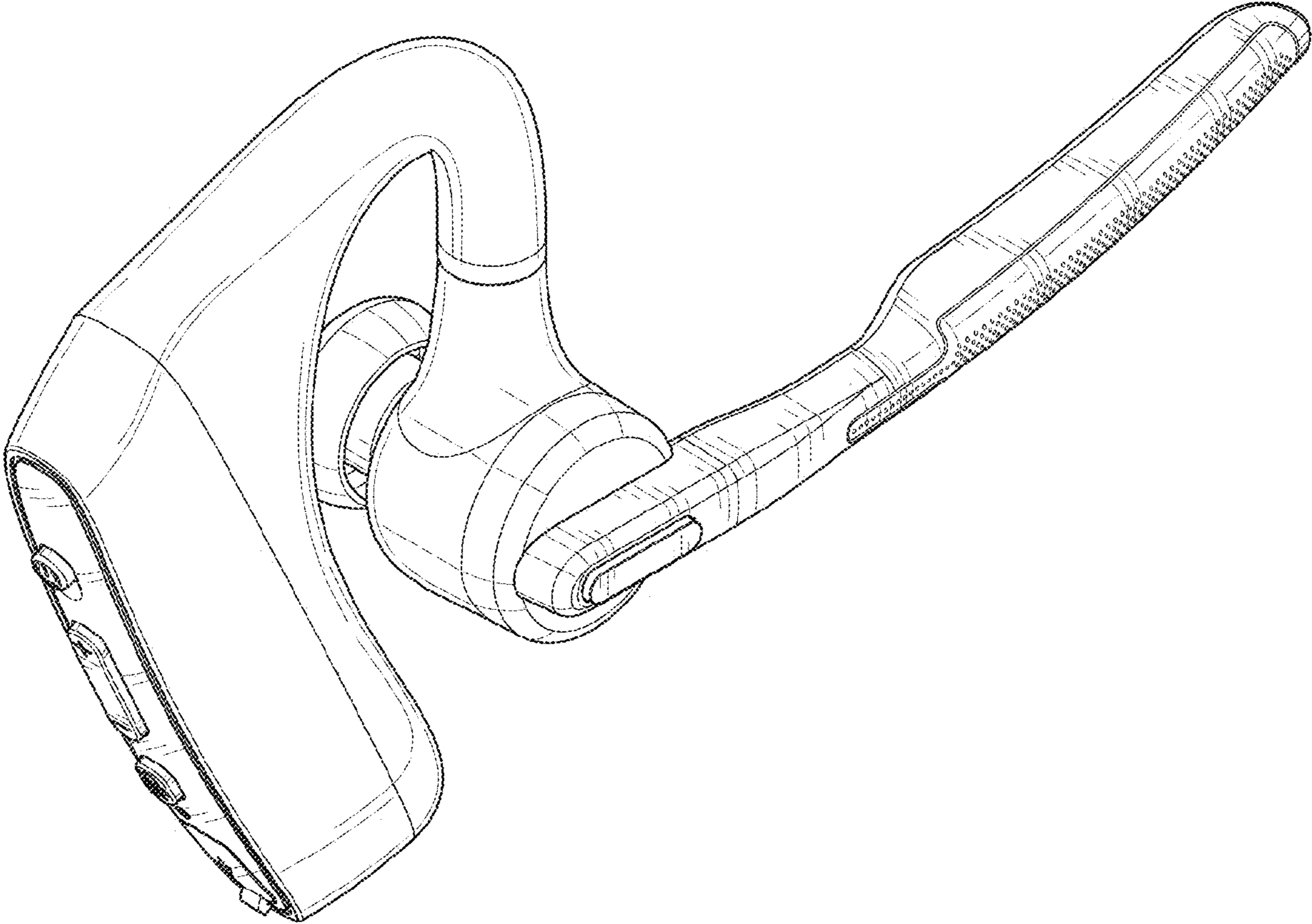


FIG. 1

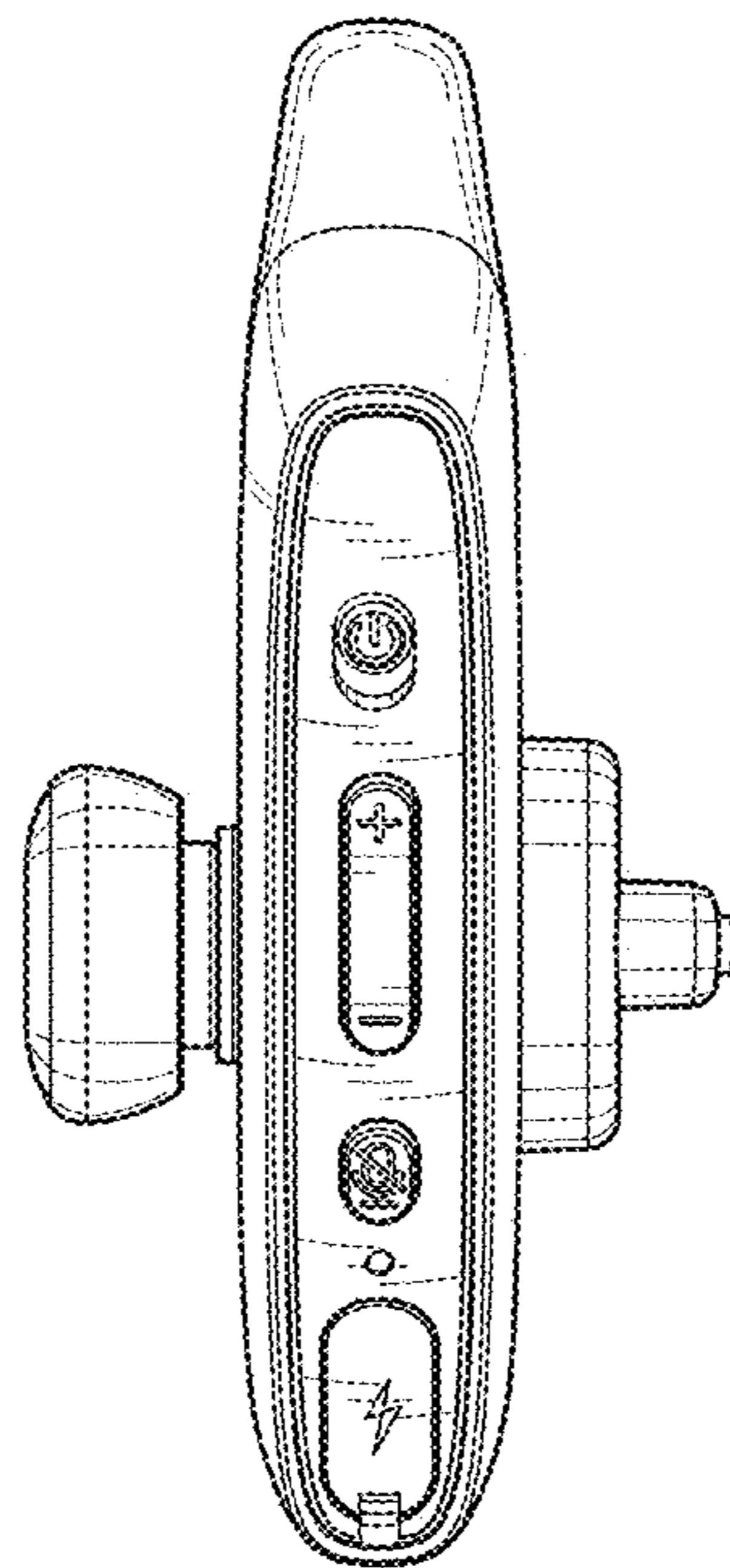


FIG. 2

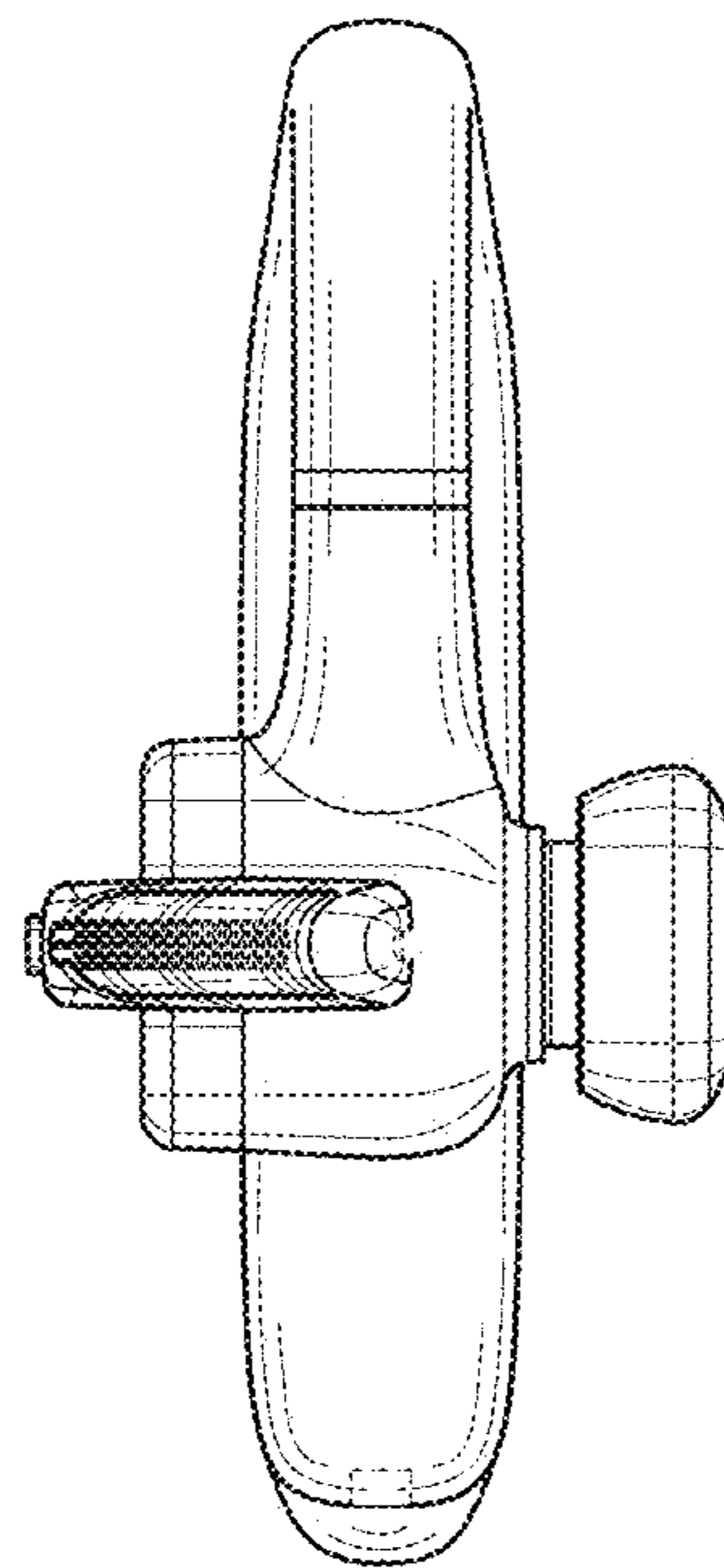


FIG. 3

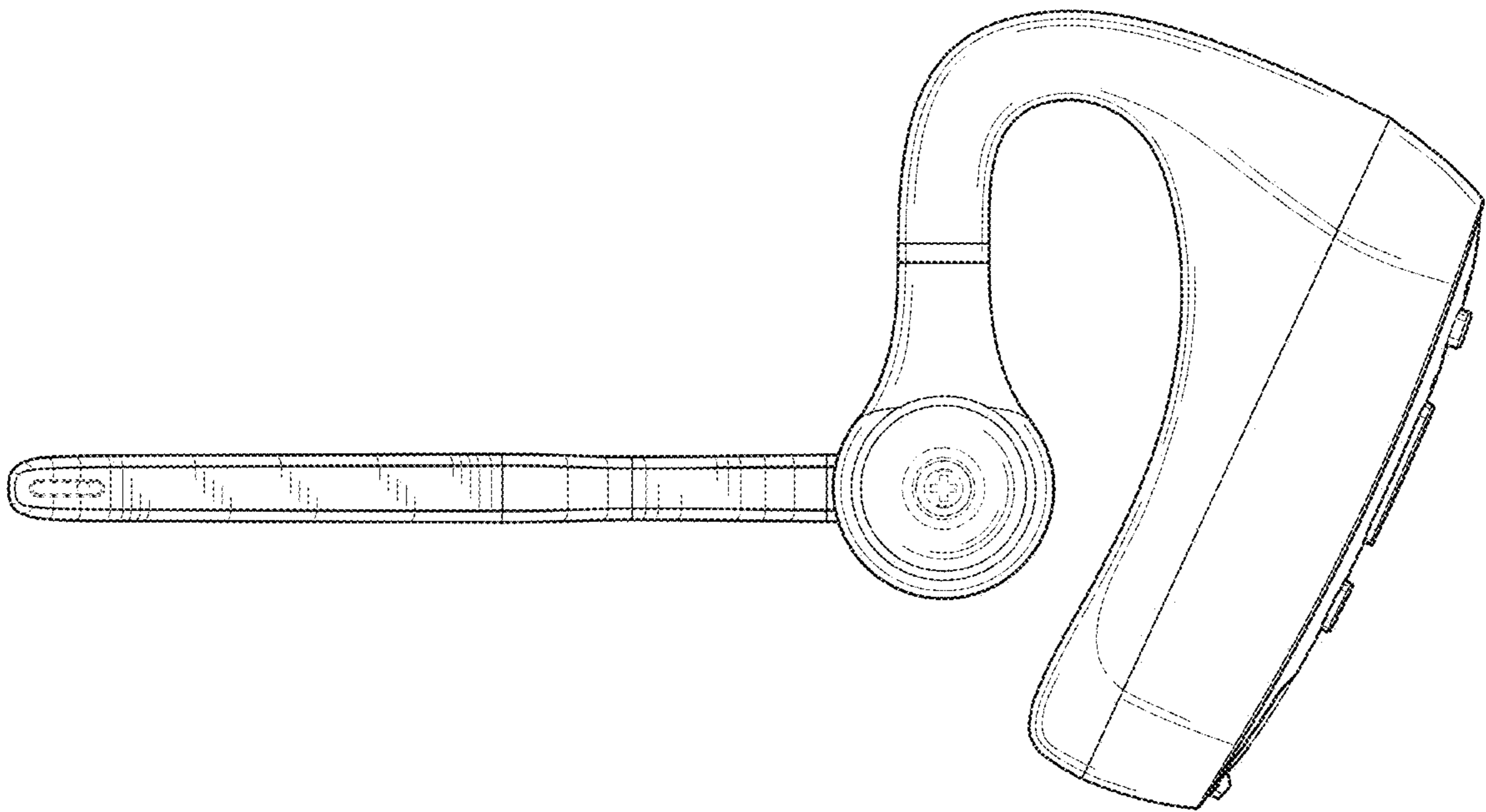


FIG. 4

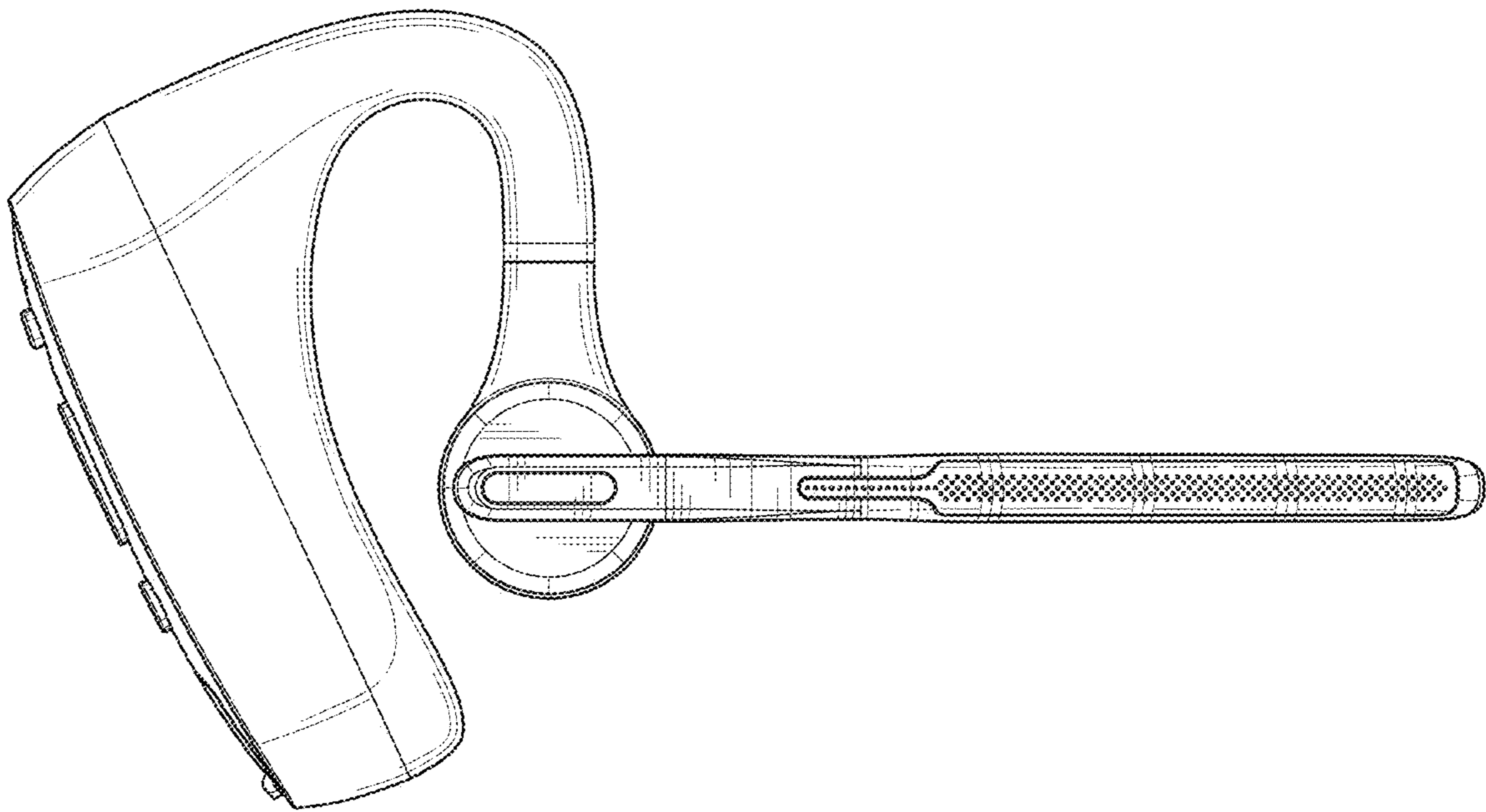


FIG. 5

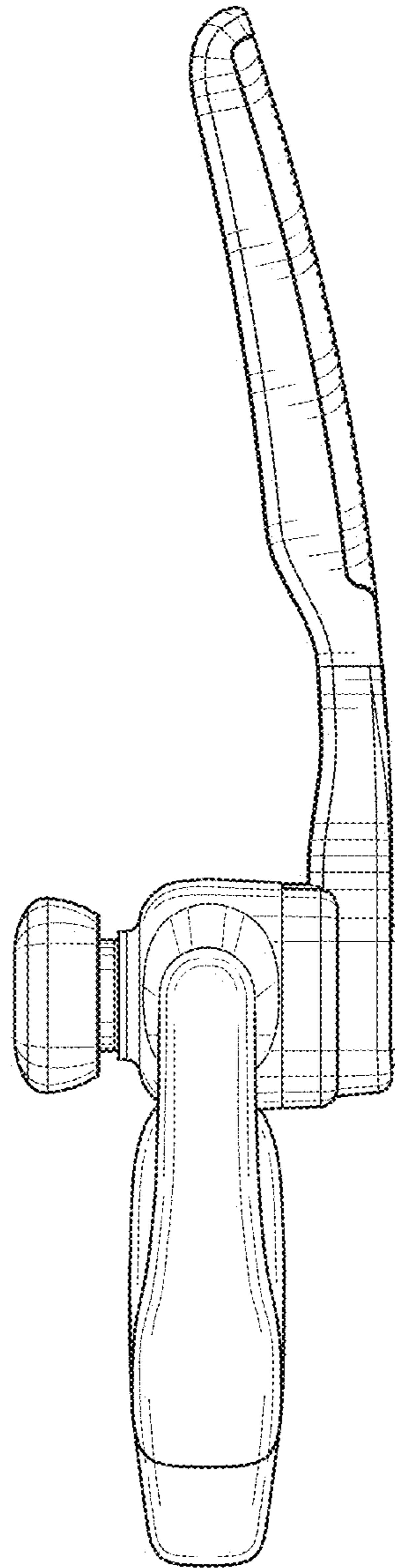


FIG. 6



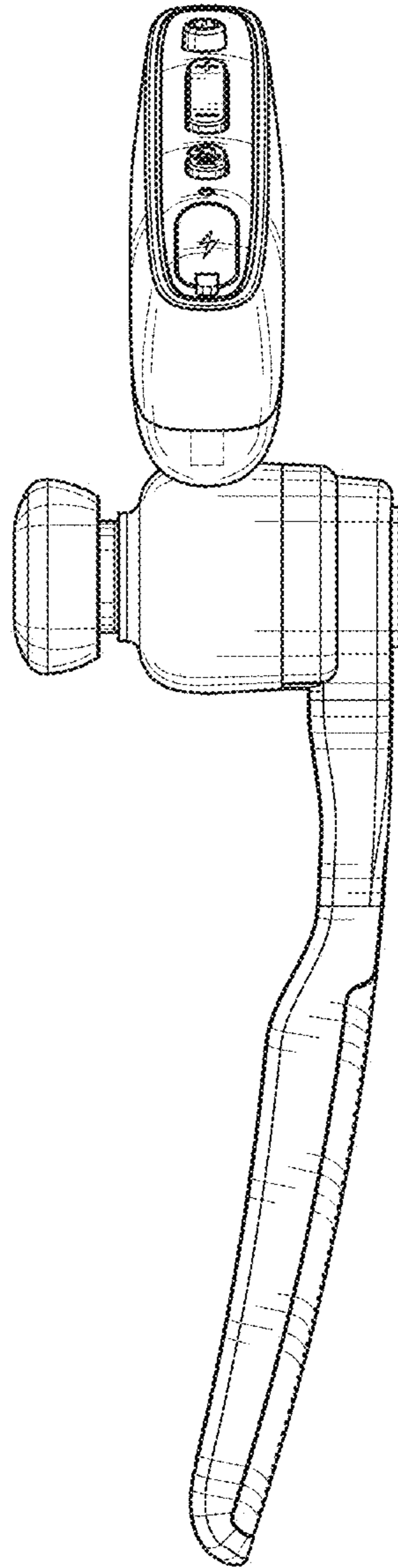


FIG. 7