



US00D929966S

(12) **United States Design Patent**
Arimoto

(10) **Patent No.:** **US D929,966 S**

(45) **Date of Patent:** **** Sep. 7, 2021**

(54) **EARPHONE**

(71) Applicant: **JVCKENWOOD Corporation,**
Yokohama (JP)

(72) Inventor: **Takuya Arimoto,** Yokohama (JP)

(73) Assignee: **JVCKENWOOD Corporation,**
Yokohama (JP)

(**) Term: **15 Years**

(21) Appl. No.: **29/706,254**

(22) Filed: **Sep. 19, 2019**

(30) **Foreign Application Priority Data**

Jul. 30, 2019 (JP) 2019-016998

(51) **LOC (13) Cl.** **14-01**

(52) **U.S. Cl.**
USPC **D14/223**

(58) **Field of Classification Search**
USPC ... D14/205, 207, 217, 221, 223, 224, 224.1,
D14/225, 216; D24/173, 174
CPC H04R 1/10; H04R 1/1016; H04R 1/1066;
H04R 1/105; H04R 1/1033; H04R 1/08;
H04R 5/033; H04R 5/0335; H04R 25/00
See application file for complete search history.

(56) **References Cited**

U.S. PATENT DOCUMENTS

D739,851 S * 9/2015 Donohue, II D14/223
D818,989 S * 5/2018 Silva D14/205
D853,994 S * 7/2019 Lin D14/223
D866,529 S * 11/2019 Yoshimura D14/223
D875,071 S * 2/2020 Wei D14/205
D877,721 S * 3/2020 Jung D14/223
10,701,472 B1 * 6/2020 Xu H02J 7/0044
D890,139 S * 7/2020 Park D14/223
D894,158 S * 8/2020 Gu D14/223
D895,572 S * 9/2020 Maeda D14/205

D897,321 S * 9/2020 Wei D14/223
D899,405 S * 10/2020 Vaclavik D14/223
D904,349 S * 12/2020 Saxton D14/223
D904,350 S * 12/2020 Zhou D14/223

(Continued)

FOREIGN PATENT DOCUMENTS

CN 305912585 * 7/2020
CN 305933353 * 7/2020

(Continued)

OTHER PUBLICATIONS

HA-AE5T, no announcement date [online], retrieved May 5, 2021,
retrieved from internet, http://www.us.jvc.com/headphones/wireless_for_sports/ha_ae5t/.*

(Continued)

Primary Examiner — Dana K Weiland

Assistant Examiner — Messina L Smith

(74) *Attorney, Agent, or Firm* — Amin, Turocy & Watson,
LLP

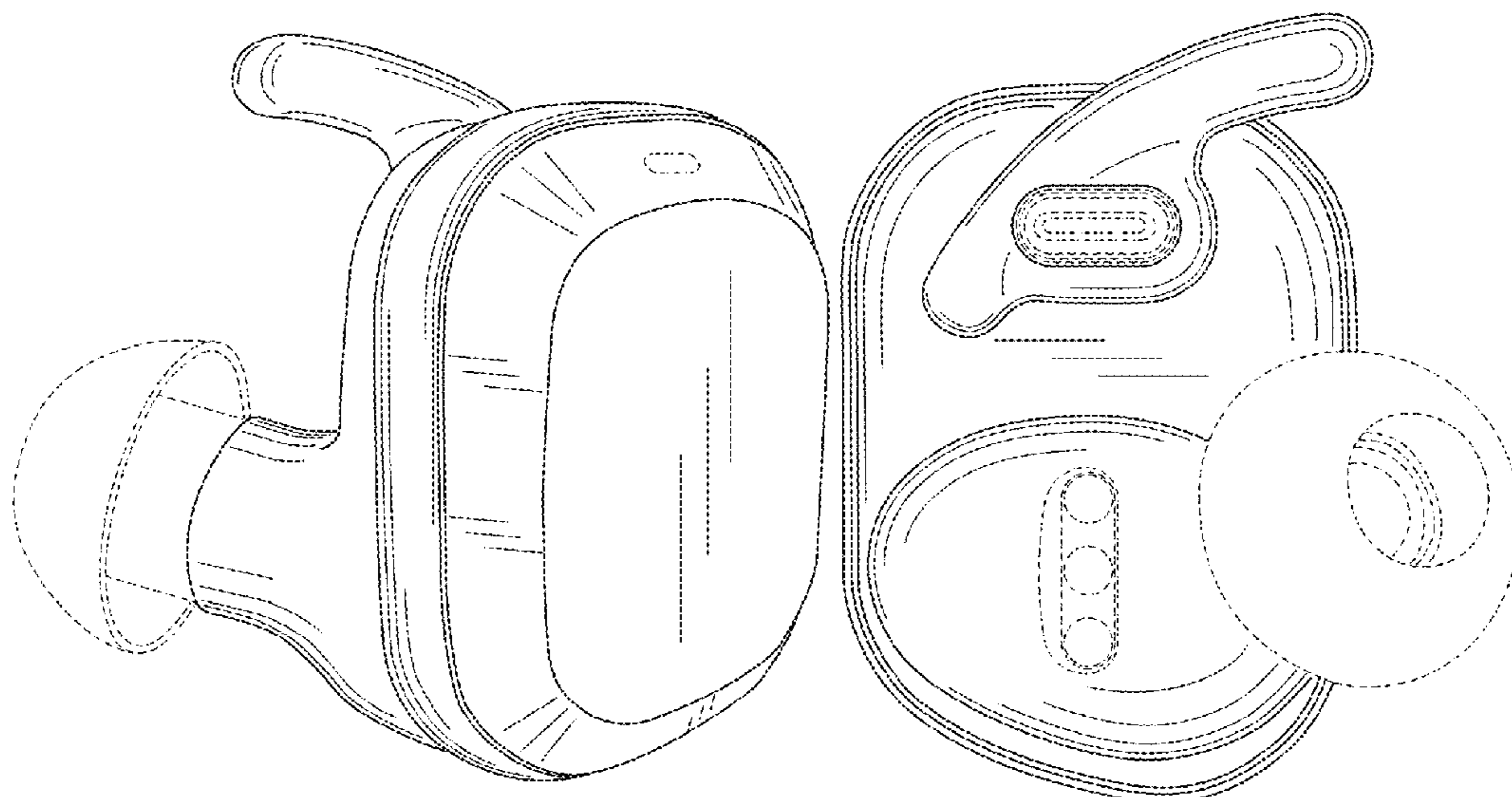
(57) **CLAIM**

The ornamental design for an earphone, as shown and
described.

DESCRIPTION

FIG. 1 is a left, front, and top perspective view of an
earphone showing my new design;
FIG. 2 is a front elevational view thereof;
FIG. 3 is a rear elevational view thereof;
FIG. 4 is a top plan view thereof;
FIG. 5 is a bottom plan view thereof;
FIG. 6 is a left side elevational view thereof; and,
FIG. 7 is a right side elevational view thereof.
The broken lines in the drawings are for the purpose of
illustrating portions of the earphone that form no part of the
claimed design.

1 Claim, 4 Drawing Sheets



(56)

References Cited

U.S. PATENT DOCUMENTS

| | | | | | |
|------------|---|---------|------------|-------|---------|
| D906,293 S | * | 12/2020 | Williamson | | D14/223 |
| D909,346 S | * | 2/2021 | Wang | | D14/223 |
| D912,648 S | * | 3/2021 | Williamson | | D14/223 |
| D914,650 S | * | 3/2021 | Hu | | D14/223 |

FOREIGN PATENT DOCUMENTS

| | | | |
|----|-----------|---|--------|
| CN | 305981055 | * | 8/2020 |
| CN | 306273295 | * | 1/2021 |
| CN | 306451023 | * | 4/2021 |

OTHER PUBLICATIONS

JVC HA-AE5TB AE Sport Truly Wireless Earbuds, announced May 30, 2020 [online], retrieved May 5, 2021, retrieved from internet, <https://www.amazon.com/JVC-HA-AE5TB-Sport-Wireless-Earbuds/dp/B0899JHH52?th=1>.*

JVC HA-ET45T and JVC HA-AE5T—Two new True Wireless Bluetooth headphones, announced Jul. 19, 2020 [online], retrieved May 5, 2021, retrieved from internet, <https://www.hifi.blog/jvc-ha-et45t-and-jvc-ha-ae5t-two-new-true-wireless-bluetooth-headphones/>.*

Anker Soundcore Liberty 2 Pro True Wireless Earbuds, announced Dec. 23, 2019 [online], retrieved May 5, 2021, retrieved from

internet, https://www.amazon.com/dp/B0832NPNYB/ref=sspa_dk_detail_1?psc=1&pd_rd_i=B0832NPNYB&pd_rd_w=hZD0C&pf_rd_p=cbc856ed-1371-4f23-b89d-d3fb30edf66d&pd_rd_wg=Lbt97&pf_rd_r=2YK BXZCQGJ9WQ6VTG933&pd_rd_r=742cc7d6-2f48-40cc-bd3c-08e8e6b64a32&spLa=ZW5jcnlwdGVkUXVhbGlmaWVyPUFFtFHTUk2QjBRNyZlbnNyeXB0ZWRJZD1BMDA4OTlyNjM5SEVOM0xQRIQ3NFYmZW5jcnlwdGVkQWRJZD1BMDA1NzgzOTFTWjJPR1JCU1BBM1Emd2lkZ2V0TmFtZT1zcF9kZXRhaWxfdGhlbWF0aWMMYWN0aW9uPWNsaWNrUmVkaXJlY3QmZG9Ob3RMb2dDbGljaz10cnVI.*

New SOUL S-Nano True Wireless Earbuds, announced Nov. 18, 2020 [online], retrieved May 5, 2021, retrieved from internet, https://www.amazon.com/dp/B08QDP6T7F/ref=sspa_dk_detail_8?psc=1&pd_rd_i=B08QDP6T7F&pd_rd_w=hZD0C&pf_rd_p=cbc856ed-1371-4f23-b89d-d3fb30edf66d&pd_rd_wg=Lbt97&pf_rd_r=2YK BXZCQGJ9WQ6VTG933&pd_rd_r=742cc7d6-2f48-40cc-bd3c-08e8e6b64a32&spLa=ZW5jcnlwdGVkUXVhbGlmaWVyPUFFtFHTUk2QjBRNyZlbnNyeXB0ZWRJZD1BMDA4OTlyNjM5SEVOM0xQRIQ3NFYmZW5jcnlwdGVkQWRJZD1BMDU1ODgwMTNISzlaUFVQR01KQVImd2lkZ2V0TmFtZT1zcF9kZXRhaWxfdGhlbWF0aWMMYWN0aW9uPWNsaWNrUmVkaXJlY3QmZG9Ob3RMb2dDbGljaz10cnVI.*

NUARL N6 Pro Truly Wireless Stereo Earbuds, announced © 2021 [online], retrieved May 5, 2021, retrieved from internet, <https://www.aptx.com/products/nuarl-n6-pro-truly-wireless-stereo-earbuds>.*

* cited by examiner

Fig. 1

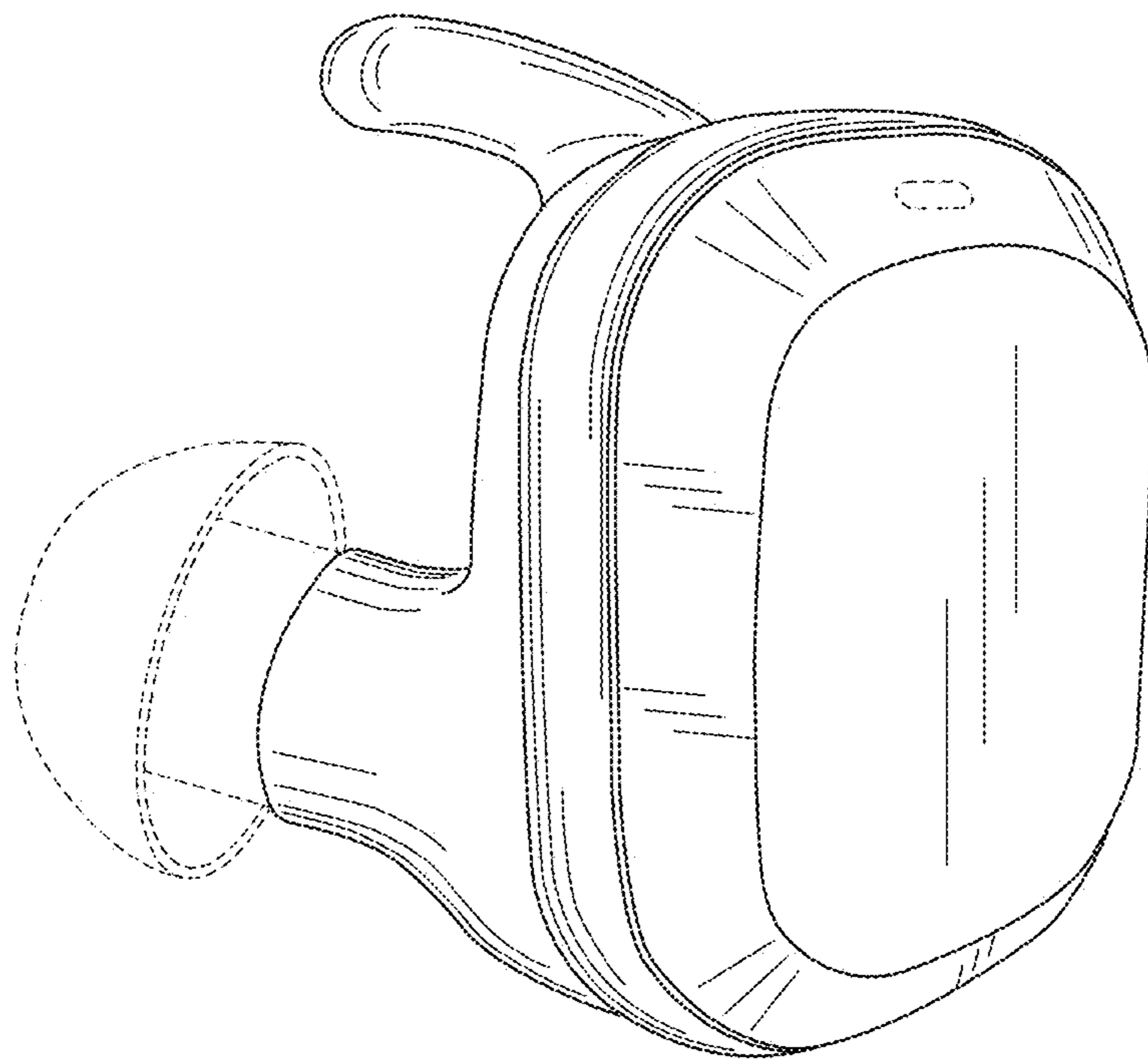


Fig.2

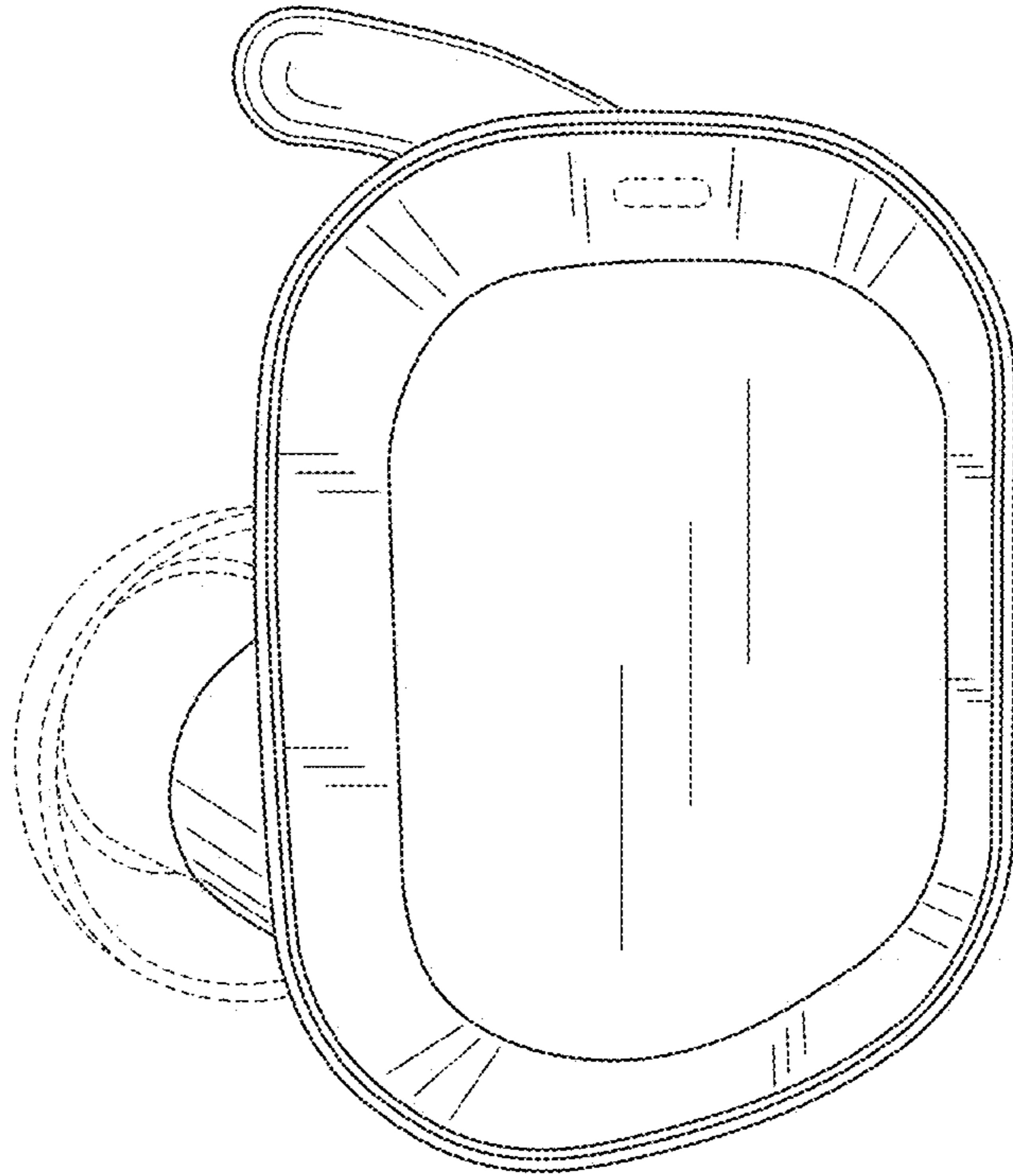


Fig.3

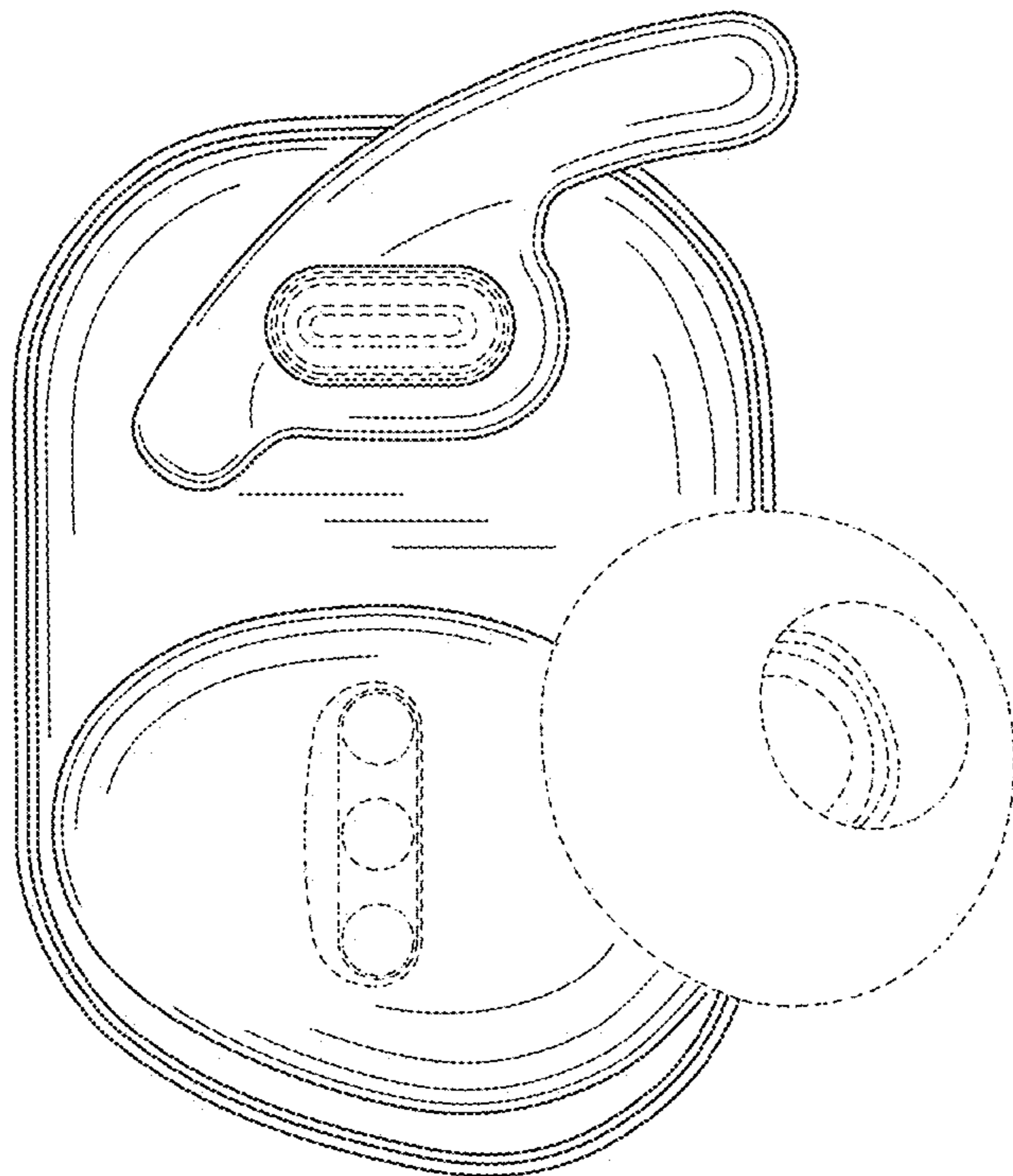


Fig.4

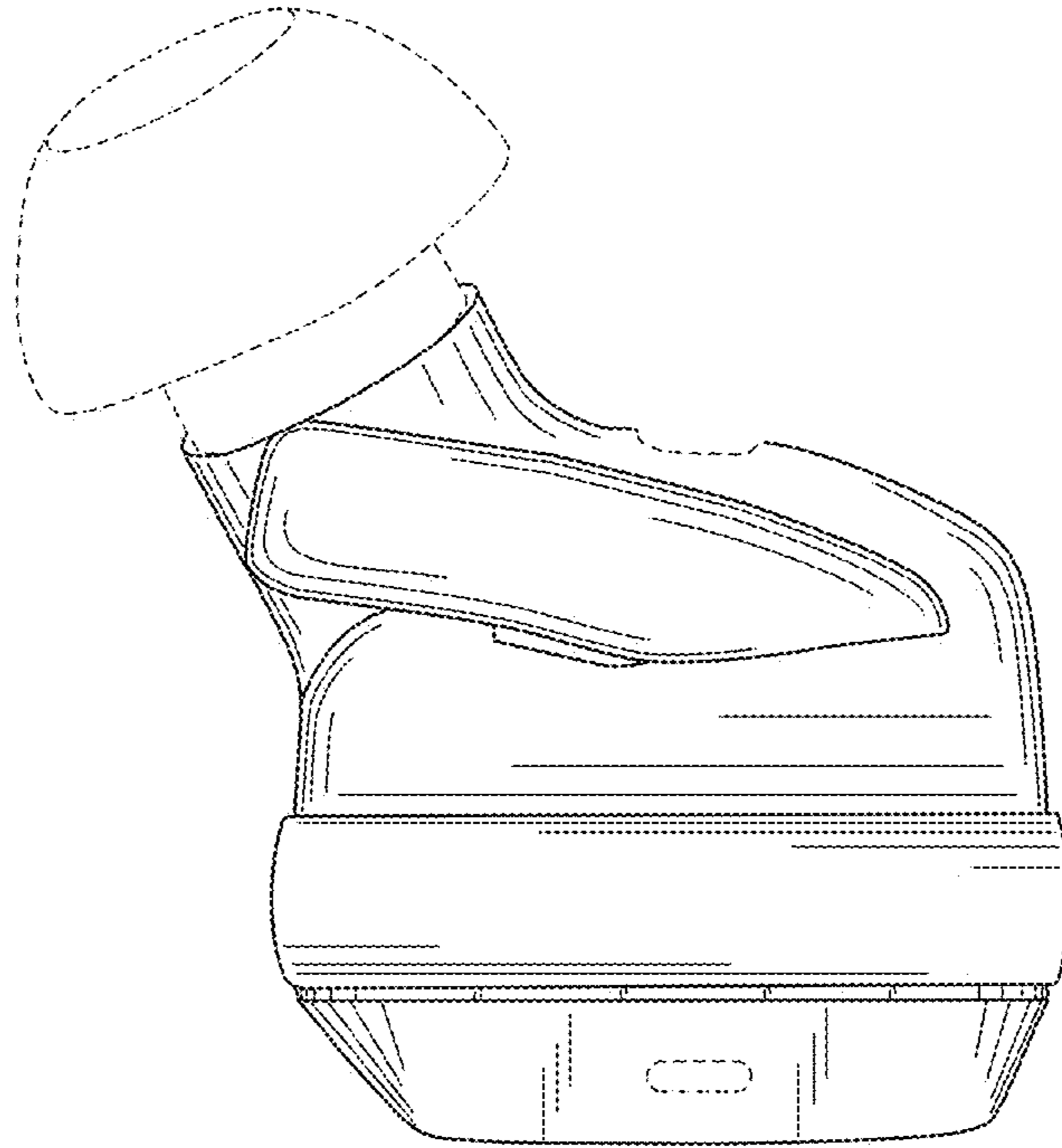


Fig.5

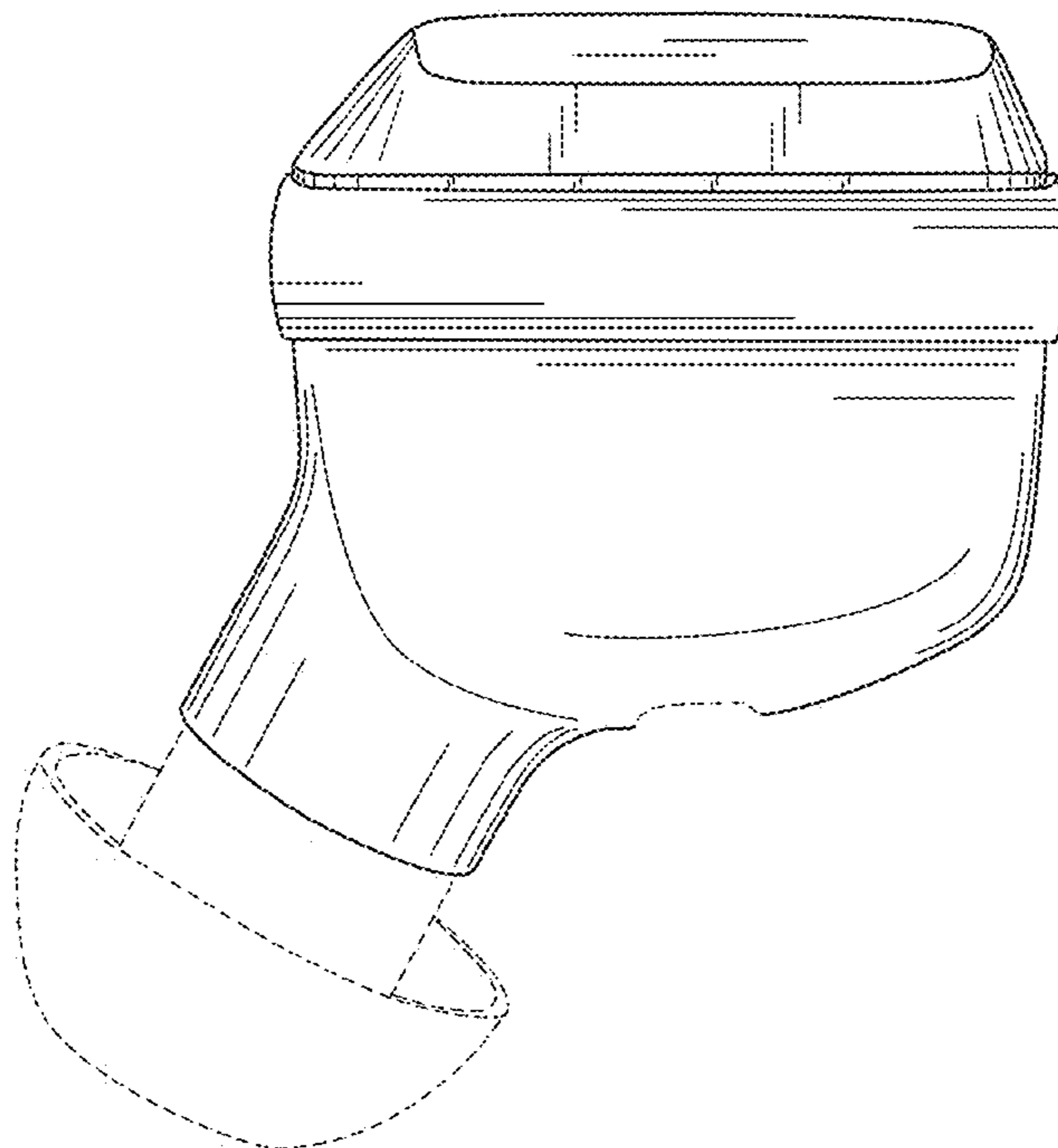


Fig.6

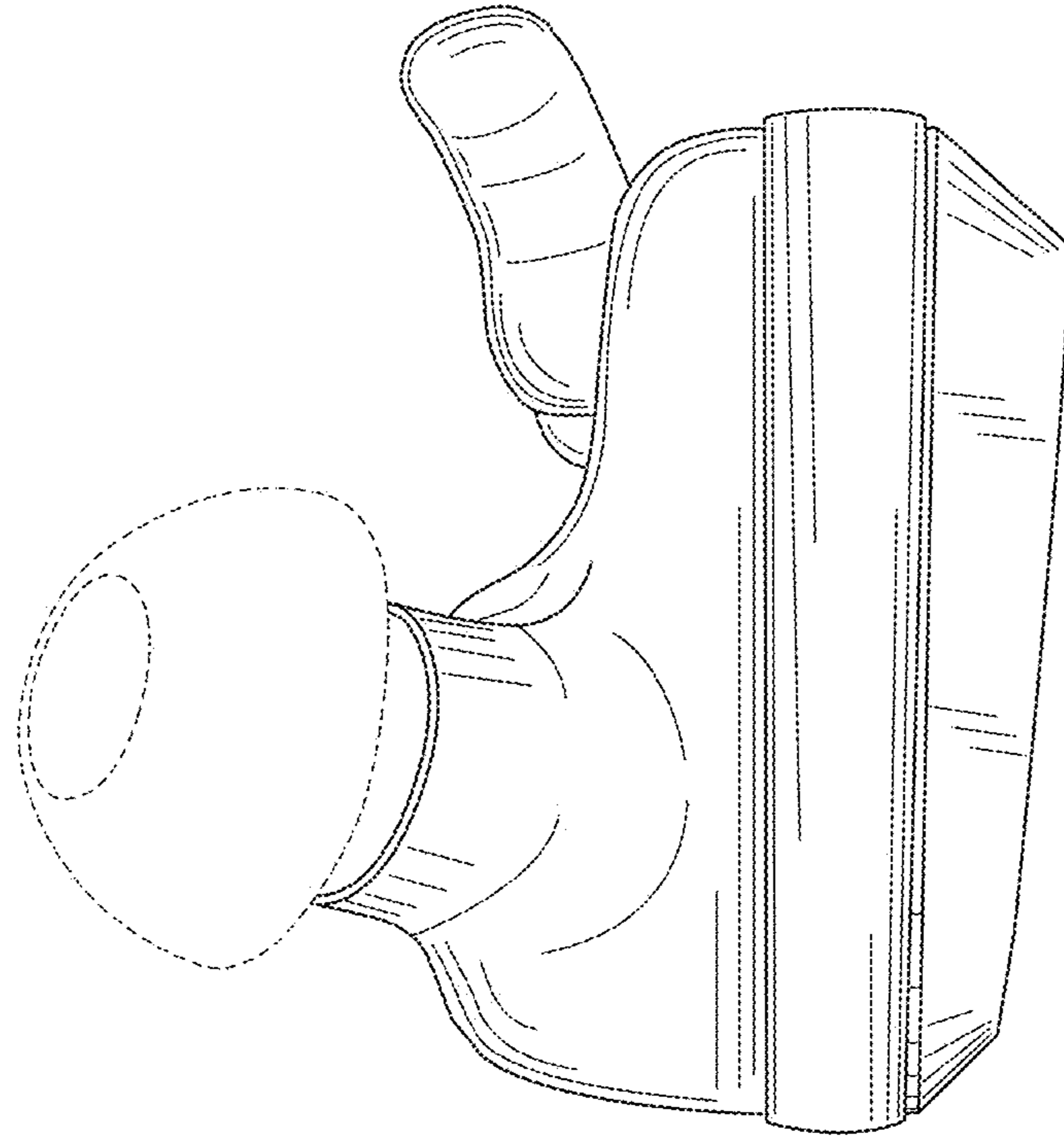


Fig.7

