



US00D929963S

(12) **United States Design Patent** (10) **Patent No.:** **US D929,963 S**
Park et al. (45) **Date of Patent:** **** Sep. 7, 2021**

(54) **EARBUD CASE**

(74) *Attorney, Agent, or Firm* — Birch, Stewart, Kolasch & Birch, LLP

(71) Applicant: **LG Electronics Inc.**, Seoul (KR)

(72) Inventors: **Soonhyun Park**, Seoul (KR); **Gayeong Lee**, Seoul (KR); **Byunghyun Yi**, Seoul (KR)

(57) **CLAIM**

The ornamental design for an earbud case, as shown and described.

(73) Assignee: **LG ELECTRONICS INC.**, Seoul (KR)

(**) Term: **15 Years**

DESCRIPTION

(21) Appl. No.: **35/509,602**

- 1. Earbud case
- 1.1 : Perspective
- 1.2 : Front
- 1.3 : Back
- 1.4 : Left
- 1.5 : Top
- 1.6 : Bottom
- 1.7 : Perspective view 2
- 1.8 : Front view 2
- 1.9 : Back view 2
- 1.10 : Left view 2
- 1.11 : Top view 2
- 1.12 : Bottom view 2
- 1.13 : Reference view

(22) Filed: **Dec. 11, 2019**

(80) **Hague Agreement Data**

Int. Filing Date: **Dec. 11, 2019**
 Int. Reg. No.: **DM/205803**
 Int. Reg. Date: **Dec. 11, 2019**
 Int. Reg. Pub. Date: **Jun. 12, 2020**

(30) **Foreign Application Priority Data**

Jun. 11, 2019 (KR) 30-2019-0027666

(51) **LOC (13) Cl.** **14-03**

(52) **U.S. Cl.**
USPC **D14/217**

(58) **Field of Classification Search**
USPC D3/273, 274, 275, 276, 281, 284, 292,
D3/294, 295, 296, 297, 298, 299;
(Continued)

(56) **References Cited**

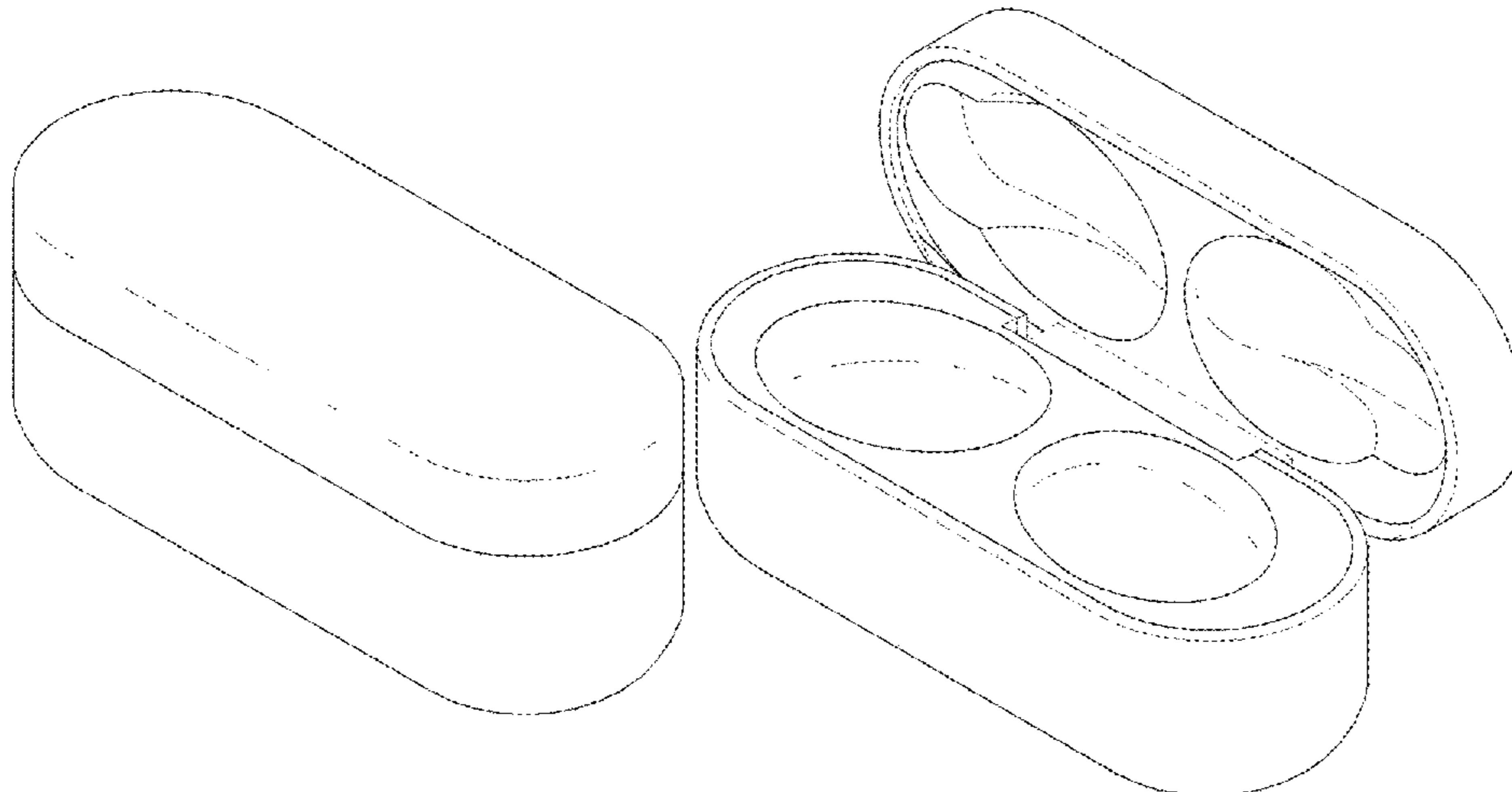
U.S. PATENT DOCUMENTS

D870,451 S * 12/2019 Birger D3/201
 D876,834 S * 3/2020 Breen D3/298
 (Continued)

The broken lines depict portions of earbud case that form no part of the claimed design; reproduction 1.1 is a front perspective view of the earbud case in a condition that the cover has been closed; reproduction 1.2 is a front view thereof; reproduction 1.3 is a back view thereof; reproduction 1.4 is a left side view thereof where the right side view is a mirror image; reproduction 1.5 is a top view thereof; reproduction 1.6 is a bottom view thereof; reproduction 1.7 is a front perspective view of the earbud case in a condition that the cover has been opened; reproduction 1.8 is a front view of reproduction 1.7; reproduction 1.9 is a back view of reproduction 1.7; reproduction 1.10 is a left view of reproduction 1.7 where the right side view is a mirror image; reproduction 1.11 is a top view of reproduction 1.7; reproduction 1.12 is a bottom view of reproduction 1.7; reproduction 1.13 is a reference view showing the state in which earbuds have been stored in internal groove of the claimed

(Continued)

Primary Examiner — Khawaja Anwar



design; this design is for an earbud case; as shown in reproduction **1.13**, earbuds can be stored in internal groove of the claimed design.

1 Claim, 13 Drawing Sheets

25/558; H04R 25/602; H04R 25/603;
 H04R 25/70; H04R 29/001; H04R 31/00;
 H04R 31/006; H04R 3/00; H04R 3/12;
 H04R 5/027; H04R 5/0335

See application file for complete search history.

(58) Field of Classification Search

USPC D13/103, 107–110, 118, 119, 184;
 D14/217, 251, 253, 432, 433, 434
 CPC .. H04R 1/1016; H04R 1/1008; H04R 1/1041;
 H04R 1/105; H04R 5/033; H04R 1/1058;
 H04R 1/1083; H04R 2420/07; H04R
 3/005; H04R 5/02; H04R 1/1033; H04R
 2201/023; H04R 2201/028; H04R
 2460/13; H04R 3/04; H04R 5/04; H04R
 1/00; H04R 1/025; H04R 1/026; H04R
 1/028; H04R 1/08; H04R 1/10; H04R
 1/1025; H04R 1/24; H04R 1/2823; H04R
 1/2826; H04R 1/288; H04R 1/406; H04R
 2201/025; H04R 2201/105; H04R
 2201/107; H04R 2201/401; H04R
 2205/022; H04R 2205/024; H04R
 2225/021; H04R 2225/41; H04R 2225/43;
 H04R 2225/55; H04R 2410/05; H04R
 2420/09; H04R 2430/23; H04R 2460/15;
 H04R 2499/11; H04R 2499/15; H04R
 25/50; H04R 25/505; H04R 25/552;
 H04R 25/554; H04R 25/556; H04R

(56)

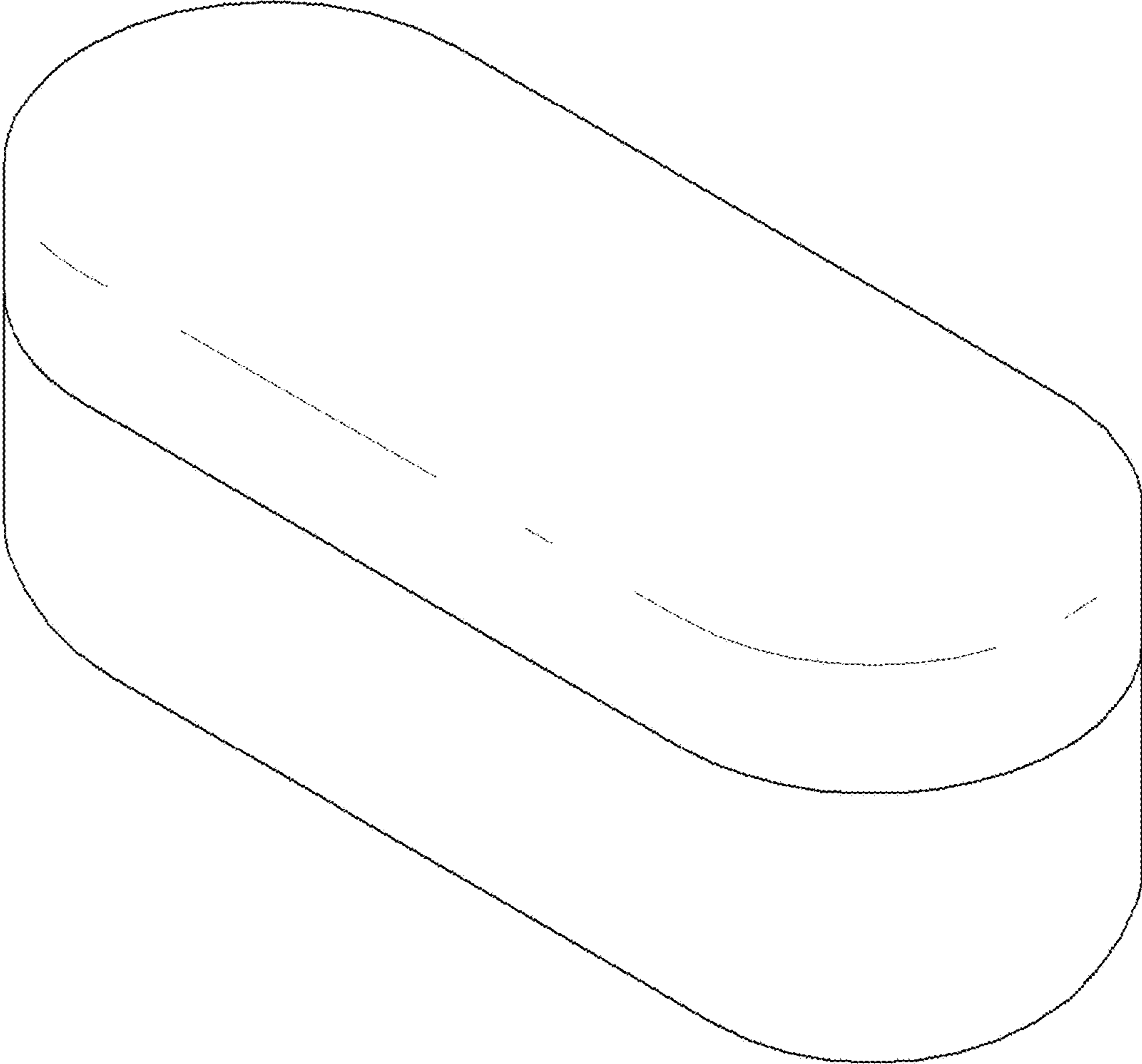
References Cited

U.S. PATENT DOCUMENTS

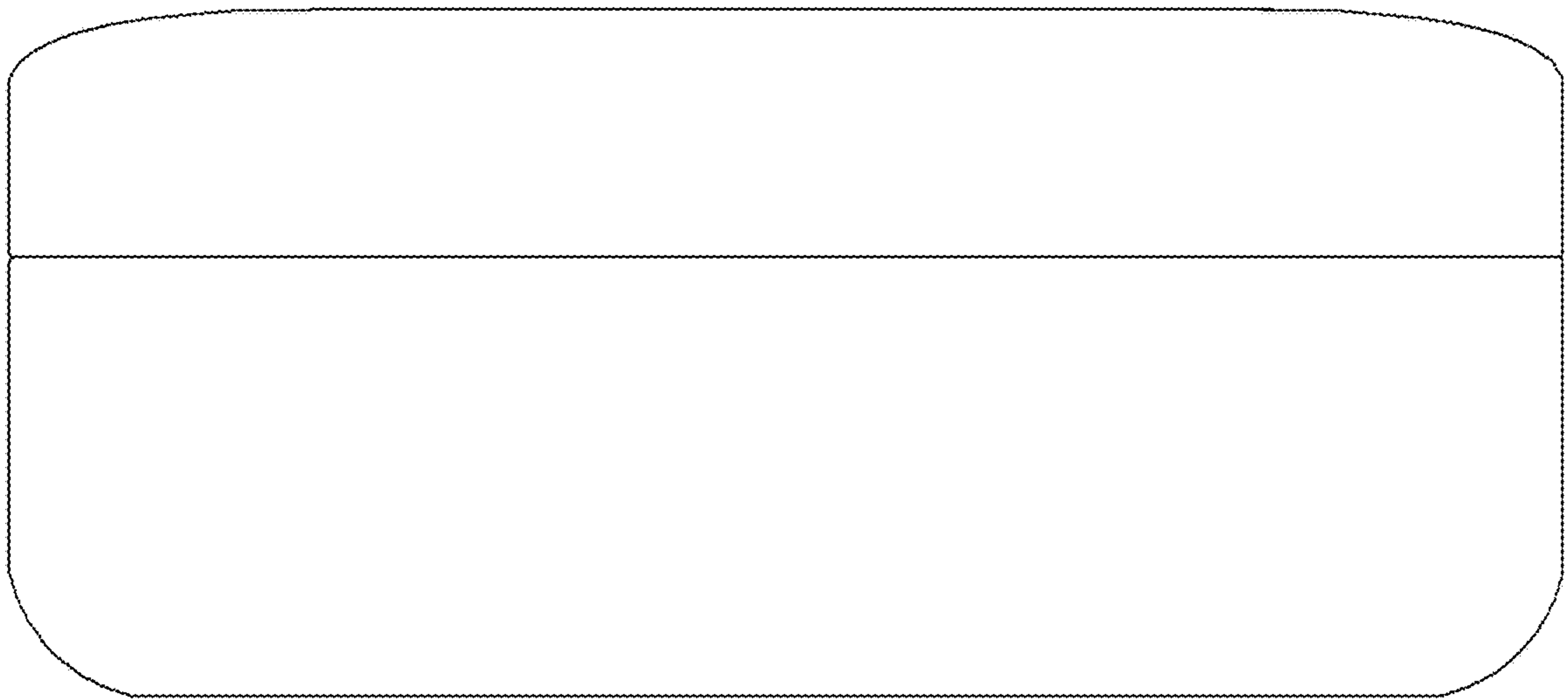
D886,453	S	*	6/2020	Wright	D3/294
D891,774	S	*	8/2020	Yu	D3/294
D892,497	S	*	8/2020	Wright	D3/294
D892,498	S	*	8/2020	Wright	D3/294
D892,499	S	*	8/2020	Wright	D3/303
D893,184	S	*	8/2020	Liu	D3/294
D893,185	S	*	8/2020	Liu	D3/294
D901,177	S	*	11/2020	Wei	D3/294
D901,382	S	*	11/2020	Zhang	D13/108
D902,588	S	*	11/2020	Zhang	D3/294
D902,589	S	*	11/2020	Li	D3/295
D911,027	S	*	2/2021	Liang	D3/274
D911,274	S	*	2/2021	Ding	D13/108
D911,944	S	*	3/2021	Gao	D13/108
D911,945	S	*	3/2021	Xian	D13/108
D912,622	S	*	3/2021	Zhou	D13/108
D913,292	S	*	3/2021	Brown	D14/440
D916,291	S	*	4/2021	Fernando	D24/169
D916,460	S	*	4/2021	Xu	D3/273
D918,213	S	*	5/2021	Miyatake	D14/440
2020/0068285	A1	*	2/2020	Dang	H04R 1/1016

* cited by examiner

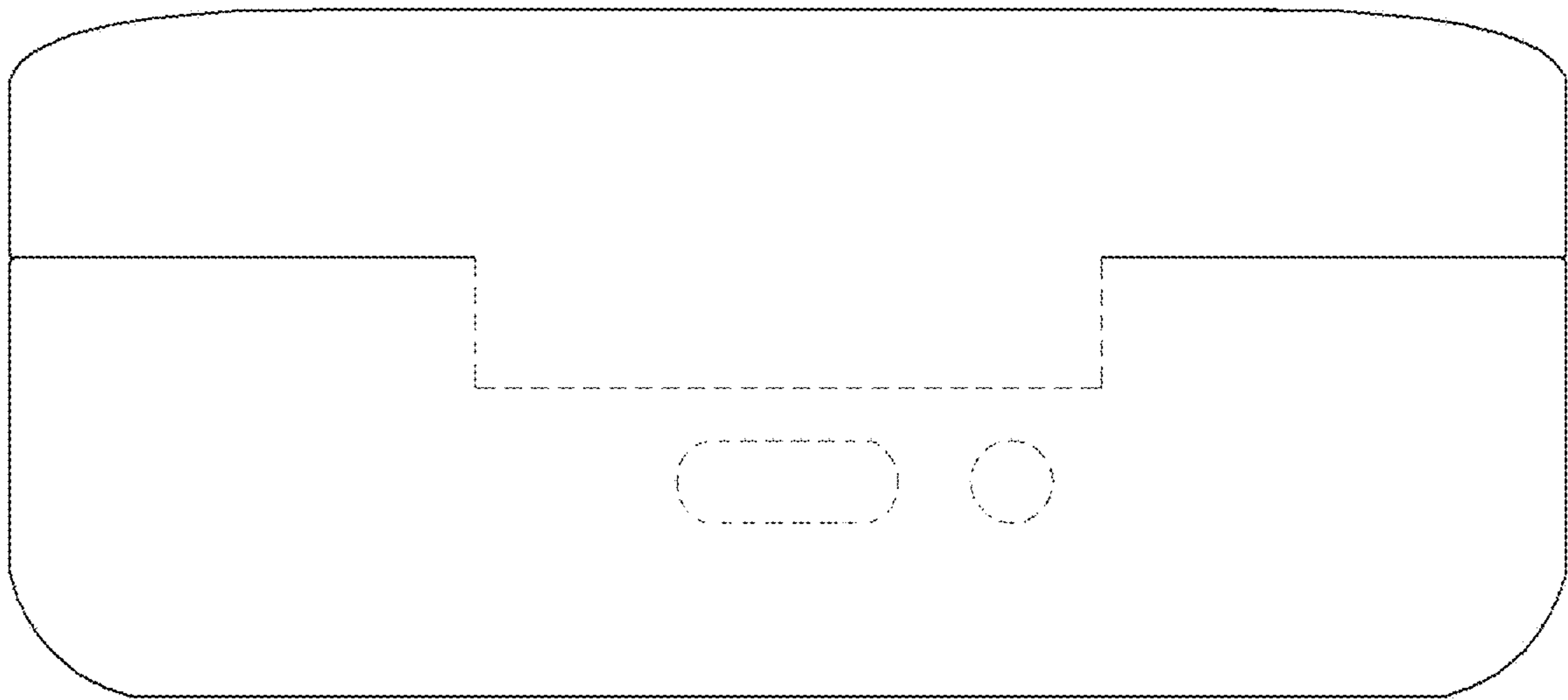
1.1



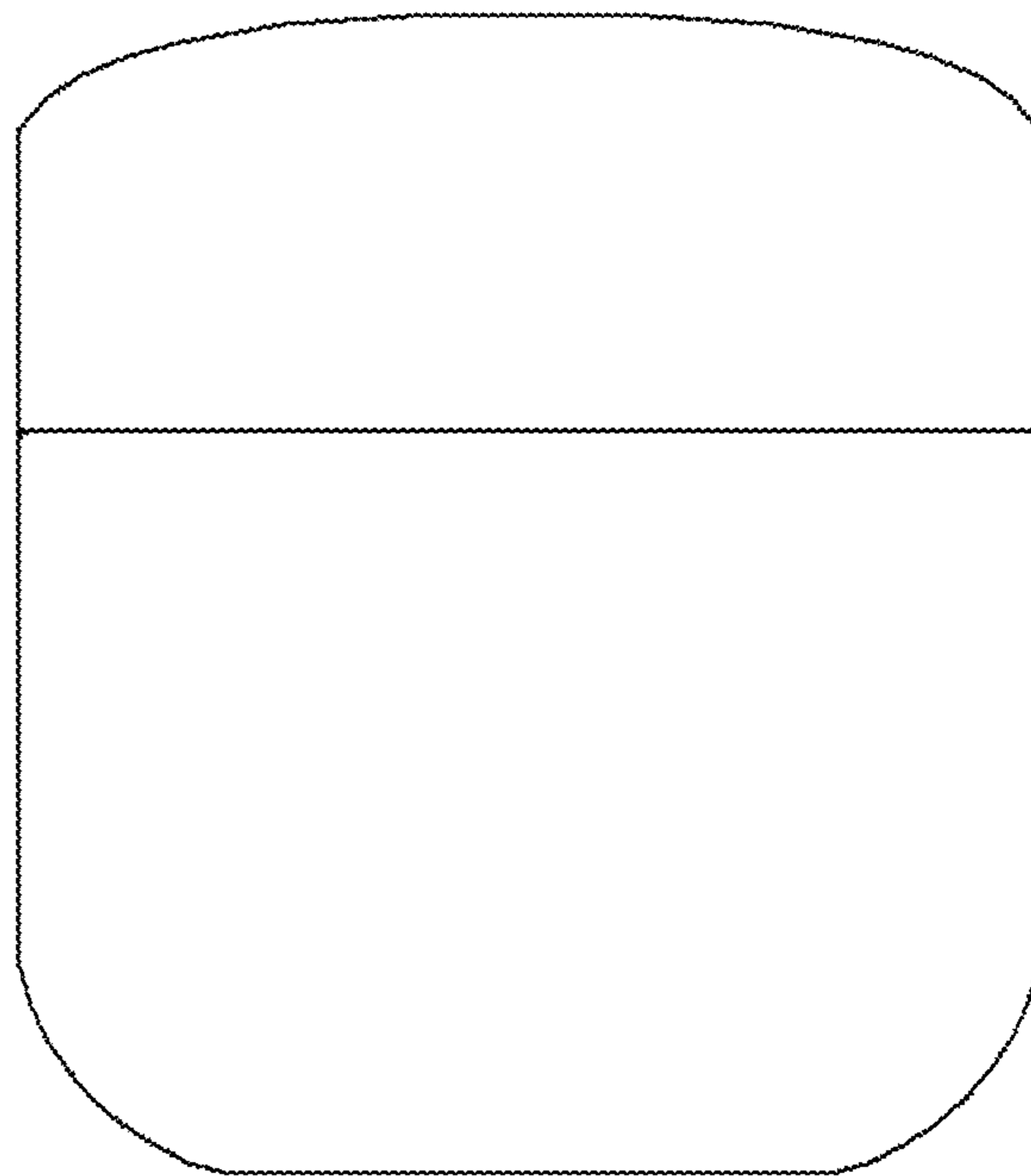
1.2



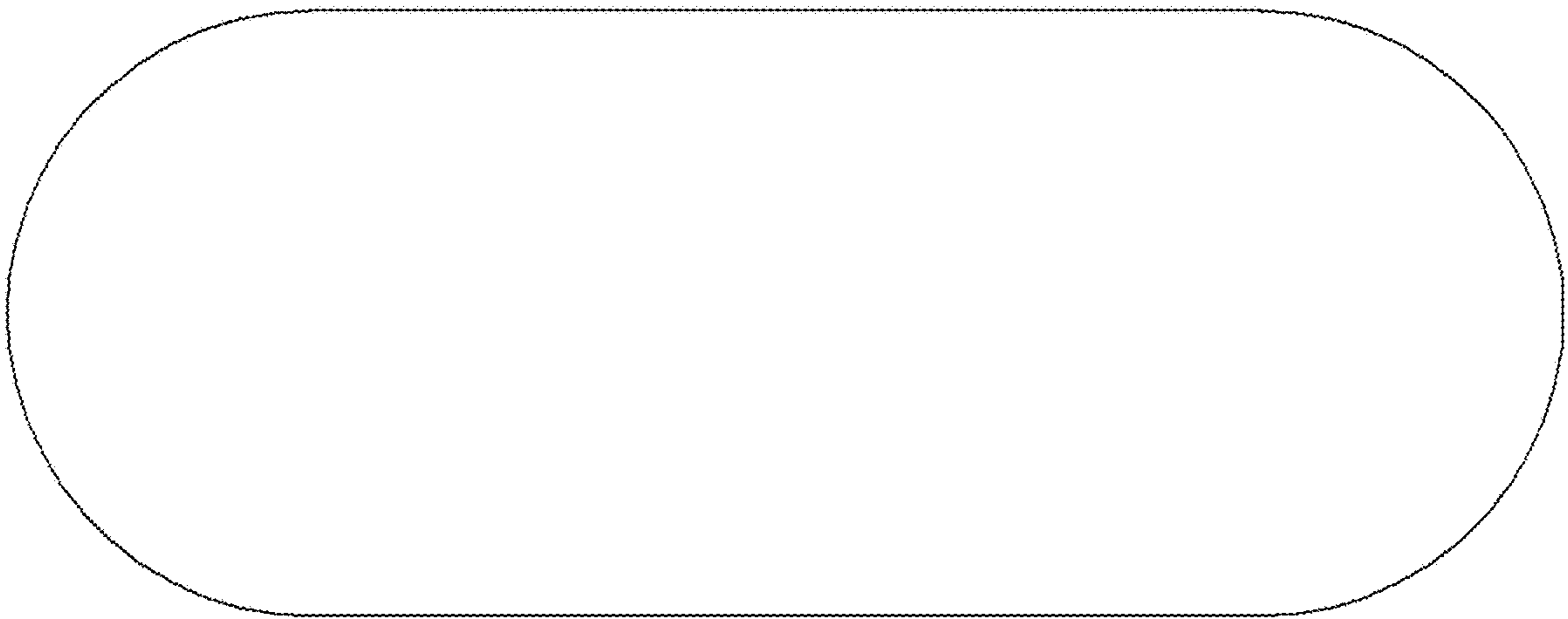
1.3



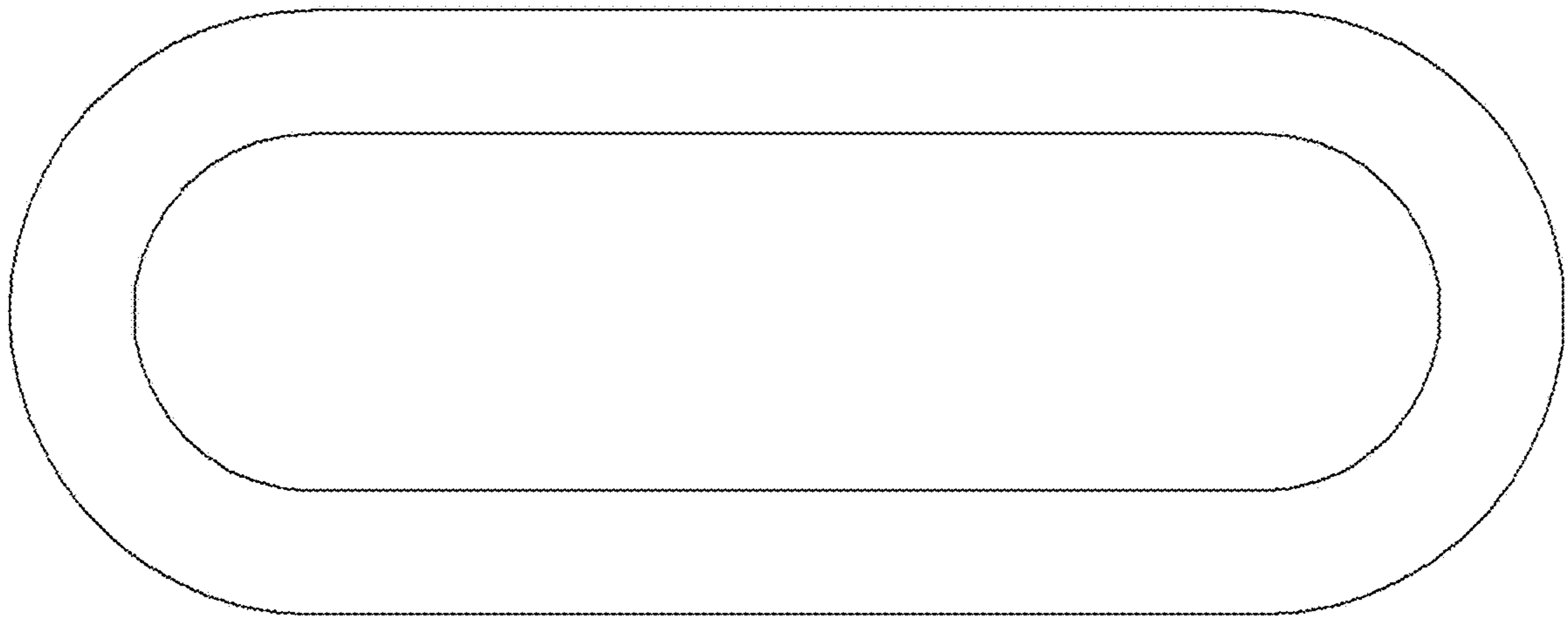
1.4



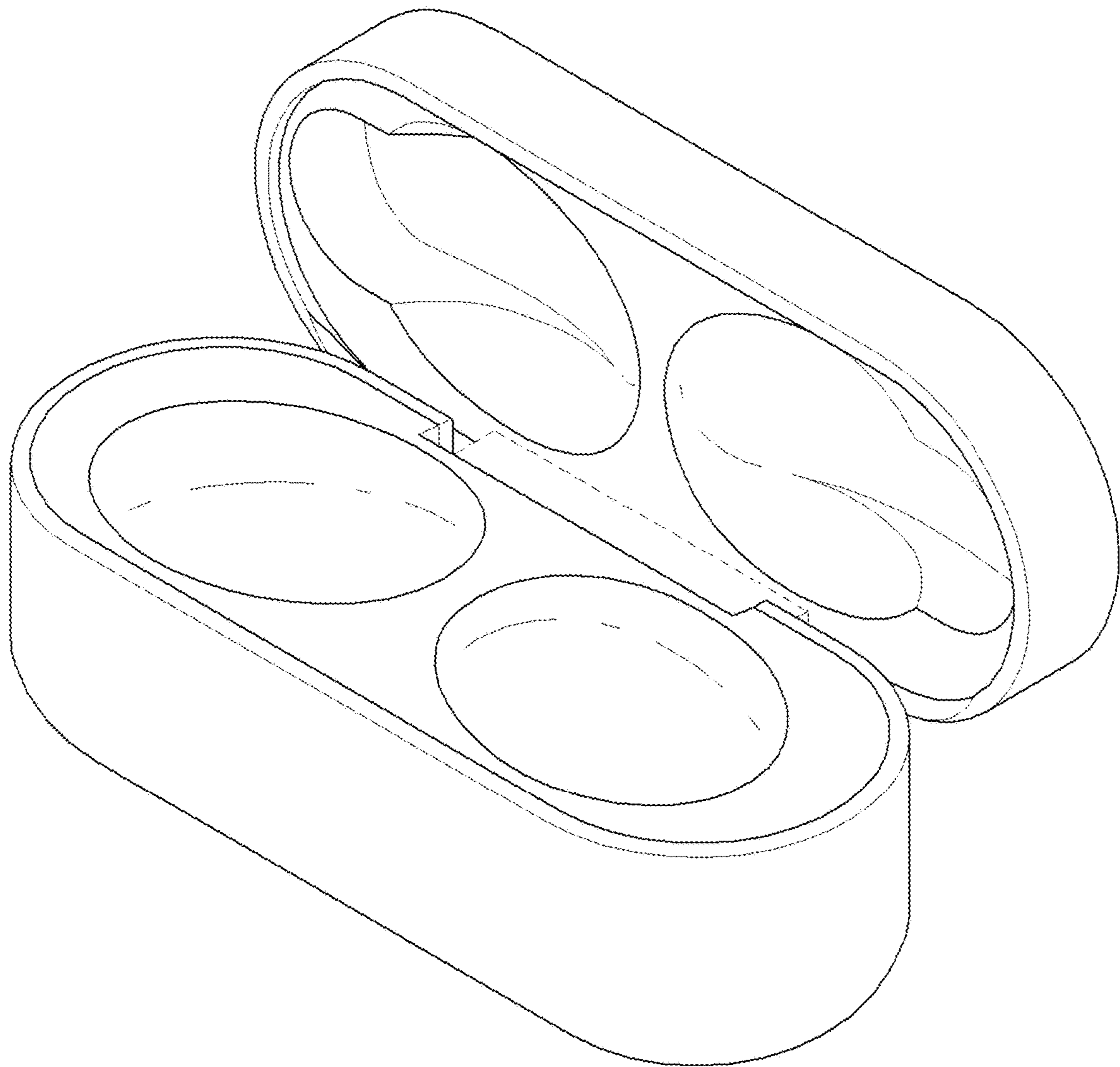
1.5



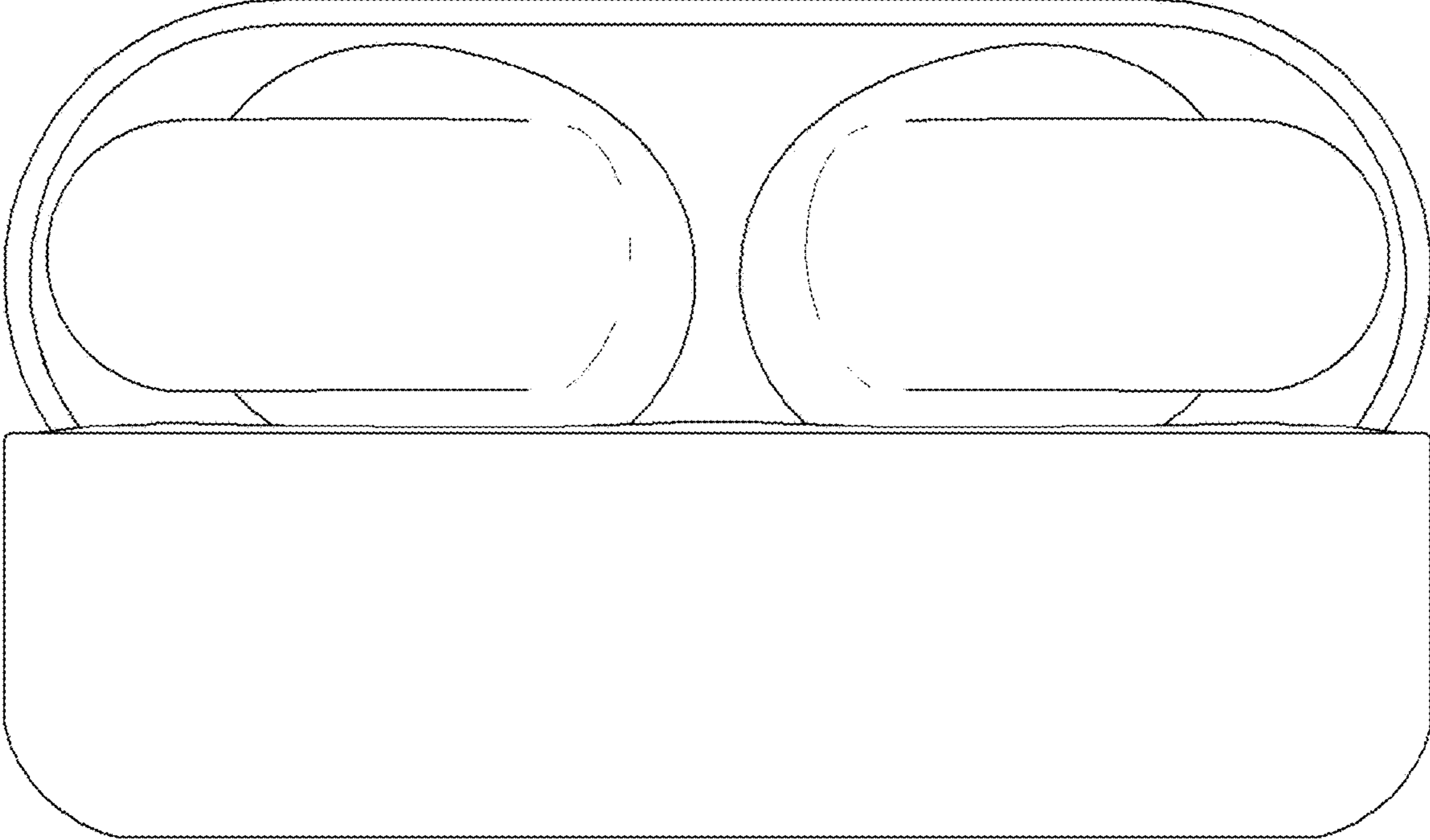
1.6



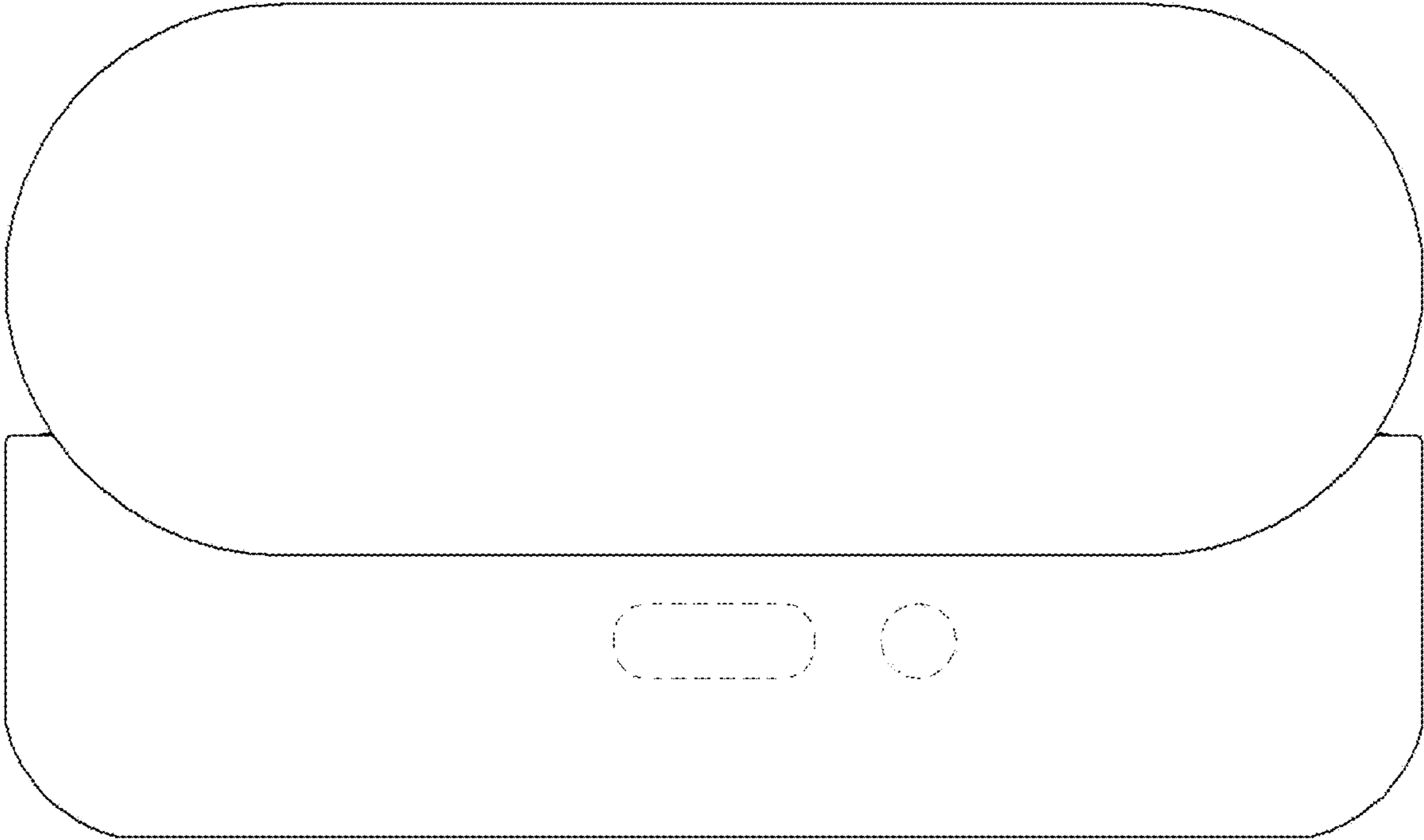
1.7



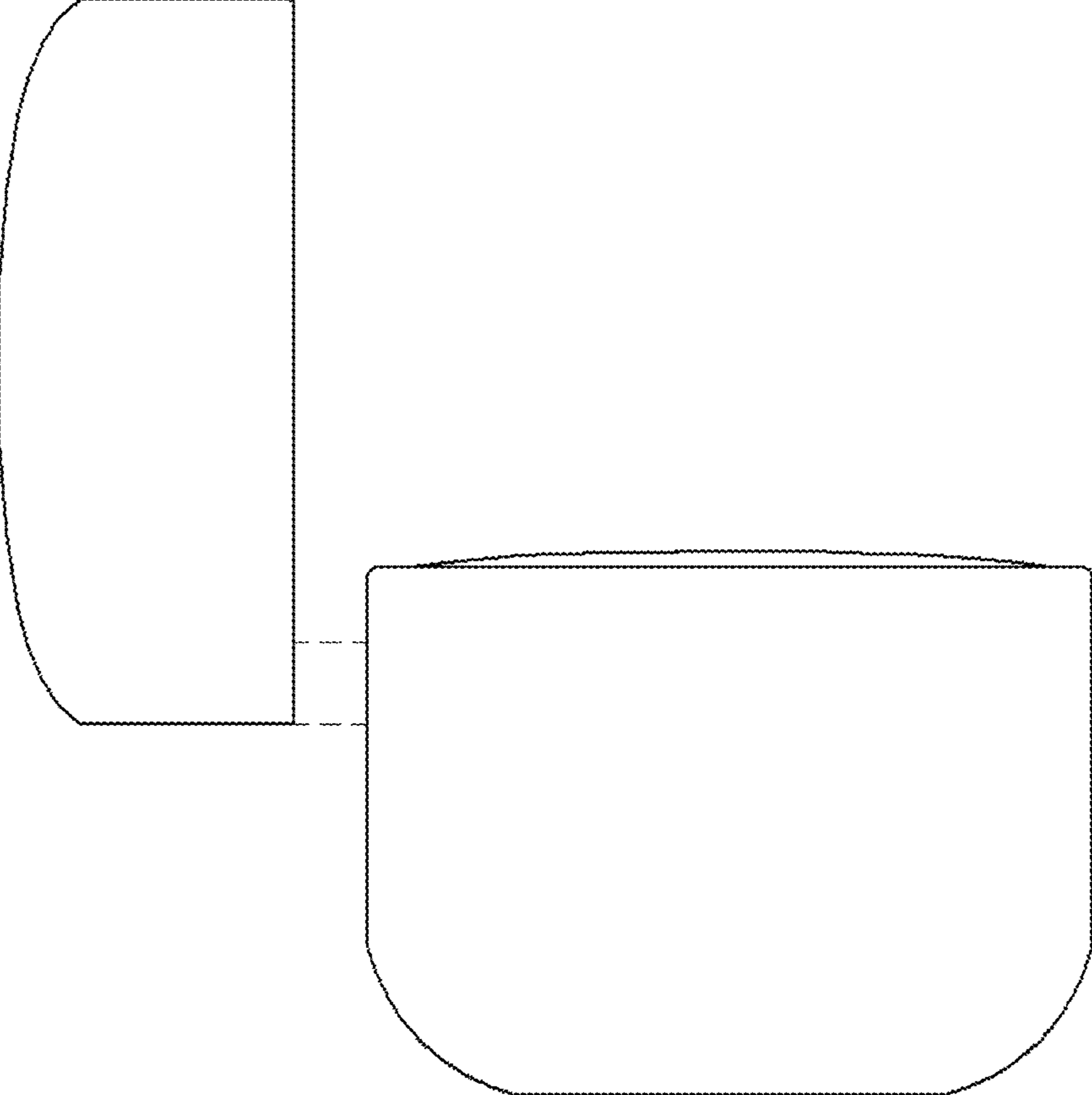
1.8



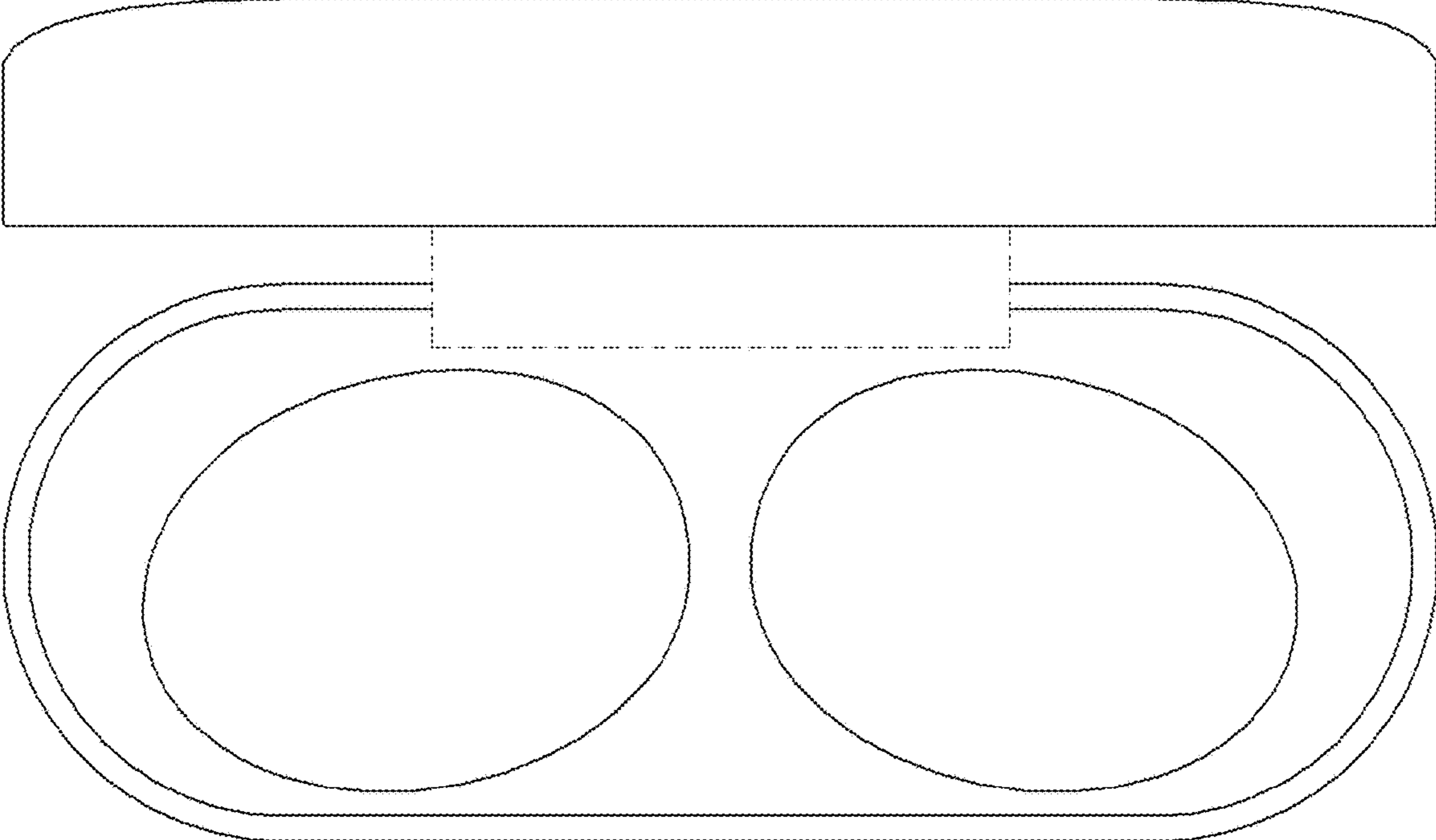
1.9



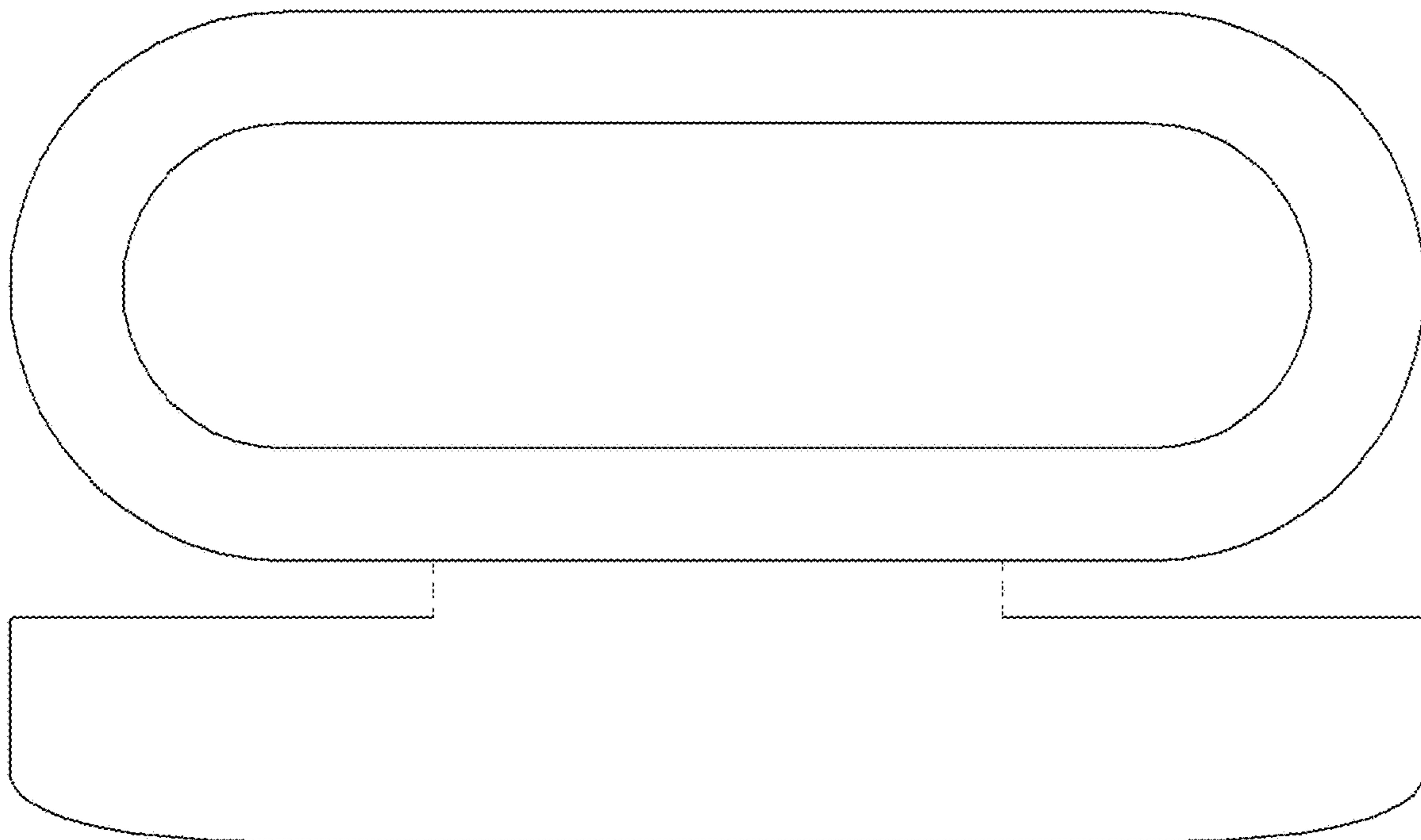
1.10



1.11



1.12



1.13

