



US00D929962S

(12) **United States Design Patent** (10) **Patent No.:** **US D929,962 S**
Yi et al. (45) **Date of Patent:** **** Sep. 7, 2021**

(54) **EARBUD CASE**

(71) Applicant: **LG Electronics Inc.**, Seoul (KR)

(72) Inventors: **Byunghyun Yi**, Seoul (KR); **Soonhyun Park**, Seoul (KR); **Gayeong Lee**, Seoul (KR)

(73) Assignee: **LG ELECTRONICS INC.**, Seoul (KR)

(**) Term: **15 Years**

(21) Appl. No.: **35/509,575**

(22) Filed: **Dec. 11, 2019**

(80) **Hague Agreement Data**

Int. Filing Date: **Dec. 11, 2019**
Int. Reg. No.: **DM/205968**
Int. Reg. Date: **Dec. 11, 2019**
Int. Reg. Pub. Date: **Jun. 12, 2020**

(30) **Foreign Application Priority Data**

Jun. 11, 2019 (KR) 30-2019-0027692

(51) **LOC (13) Cl.** **14-03**

(52) **U.S. Cl.**
USPC **D14/217**

(58) **Field of Classification Search**
USPC D3/273, 274, 275, 276, 281, 284, 292,
D3/294, 295, 296, 297, 298, 299;
(Continued)

(56) **References Cited**

U.S. PATENT DOCUMENTS

D870,451 S * 12/2019 Birger D3/201
D876,834 S * 3/2020 Breen D3/298
(Continued)

Primary Examiner — Khawaja Anwar

(74) *Attorney, Agent, or Firm* — Birch, Stewart, Kolasch & Birch, LLP

(57) **CLAIM**

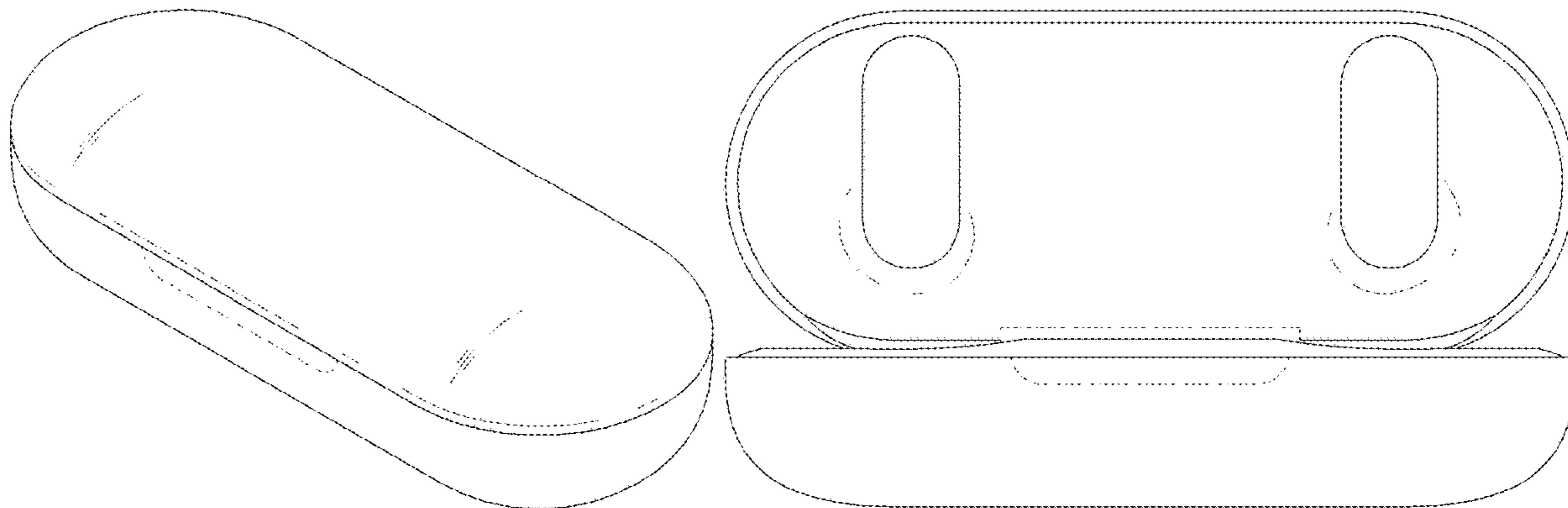
The ornamental design for an earbud case, as shown and described.

DESCRIPTION

- 1. Earbud case
- 1.1 : Perspective
- 1.2 : Front
- 1.3 : Back
- 1.4 : Left
- 1.5 : Top
- 1.6 : Perspective view 2
- 1.7 : Front view 2
- 1.8 : Back view 2
- 1.9 : Left view 2
- 1.10 : Top view 2
- 1.11 : Bottom view 2
- 1.12 : Reference view

The broken lines depict portions of earbud case that form no part of the claimed design; reproduction 1.1 is a front perspective view of the earbud case in a condition that the cover for earbud has been closed; reproduction 1.2 is a front view thereof; reproduction 1.3 is a back view thereof; reproduction 1.4 a left side view thereof where the right side view is a mirror image thereof; reproduction 1.5 is a top view thereof where the bottom view is a mirror image thereof; reproduction 1.6 is a front perspective view of the earbud case in a condition that the cover for earbud has been opened; reproduction 1.7 is a front view of reproduction 1.6; reproduction 1.8 is a back view of reproduction 1.6; reproduction 1.9 is a left side view of reproduction 1.6 where the right side view is a mirror image; reproduction 1.10 is a top view of reproduction 1.6; reproduction 1.11 is a bottom view of reproduction 1.6; reproduction 1.12 is a reference view showing the state in which earbuds have stored in internal groove of the claimed design; this design is for an earbud case; as shown in reproduction 1.12, earbuds can be stored in internal groove of the claimed design.

1 Claim, 12 Drawing Sheets



(58) **Field of Classification Search**

USPC D13/103, 107-110, 118, 119, 184;
 D14/217, 251, 253, 432, 433, 434
 CPC .. H04R 1/1016; H04R 1/1008; H04R 1/1041;
 H04R 1/105; H04R 5/033; H04R 1/1058;
 H04R 1/1083; H04R 2420/07; H04R
 3/005; H04R 5/02; H04R 1/1033; H04R
 2201/023; H04R 2201/028; H04R
 2460/13; H04R 3/04; H04R 5/04; H04R
 1/00; H04R 1/025; H04R 1/026; H04R
 1/028; H04R 1/08; H04R 1/10; H04R
 1/1025; H04R 1/24; H04R 1/2823; H04R
 1/2826; H04R 1/288; H04R 1/406; H04R
 2201/025; H04R 2201/105; H04R
 2201/107; H04R 2201/401; H04R
 2205/022; H04R 2205/024; H04R
 2225/021; H04R 2225/41; H04R 2225/43;
 H04R 2225/55; H04R 2410/05; H04R
 2420/09; H04R 2430/23; H04R 2460/15;
 H04R 2499/11; H04R 2499/15; H04R
 25/50; H04R 25/505; H04R 25/552;
 H04R 25/554; H04R 25/556; H04R
 25/558; H04R 25/602; H04R 25/603;
 H04R 25/70; H04R 29/001; H04R 31/00;
 H04R 31/006; H04R 3/00; H04R 3/12;

H04R 5/027; H04R 5/0335

See application file for complete search history.

(56)

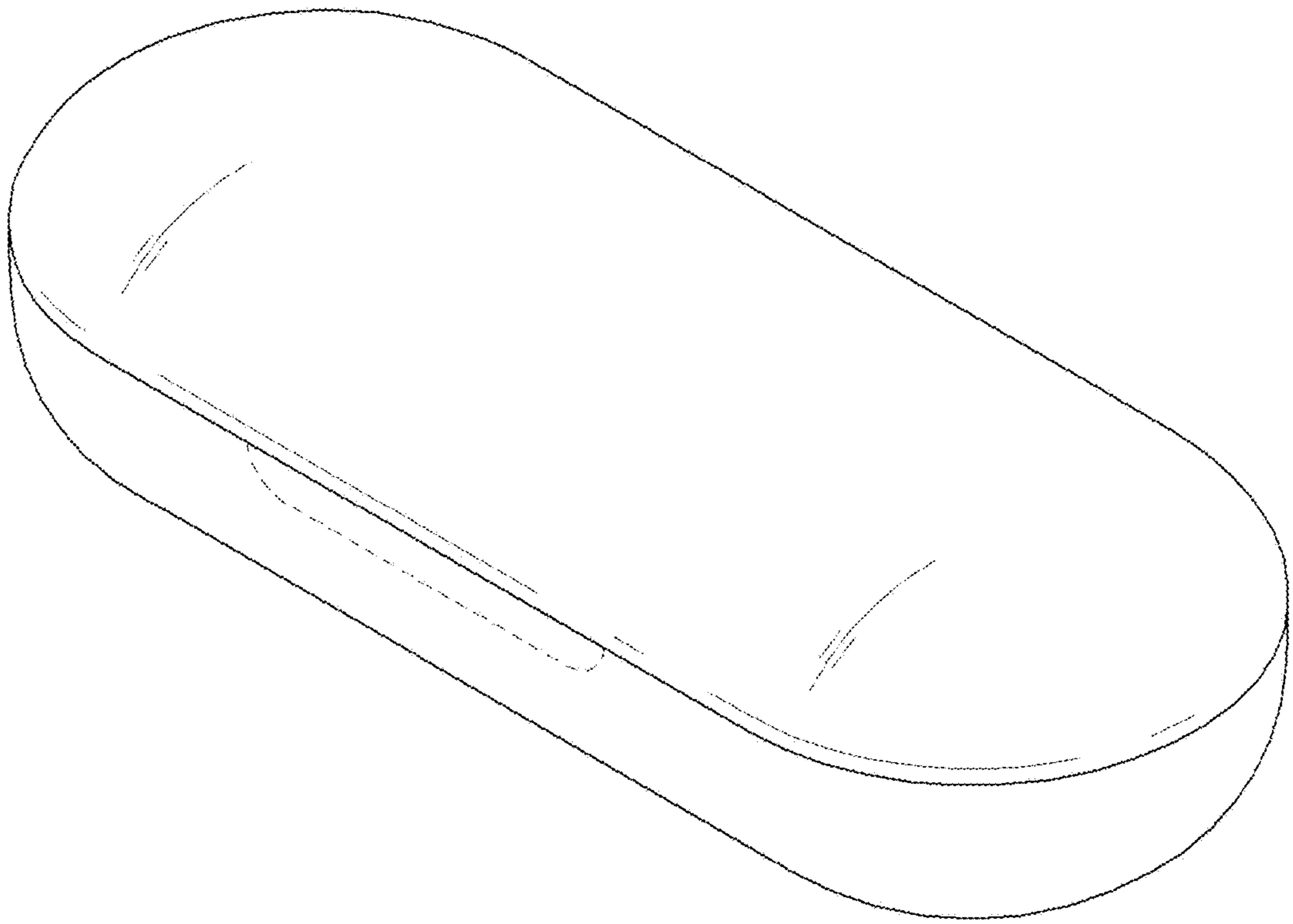
References Cited

U.S. PATENT DOCUMENTS

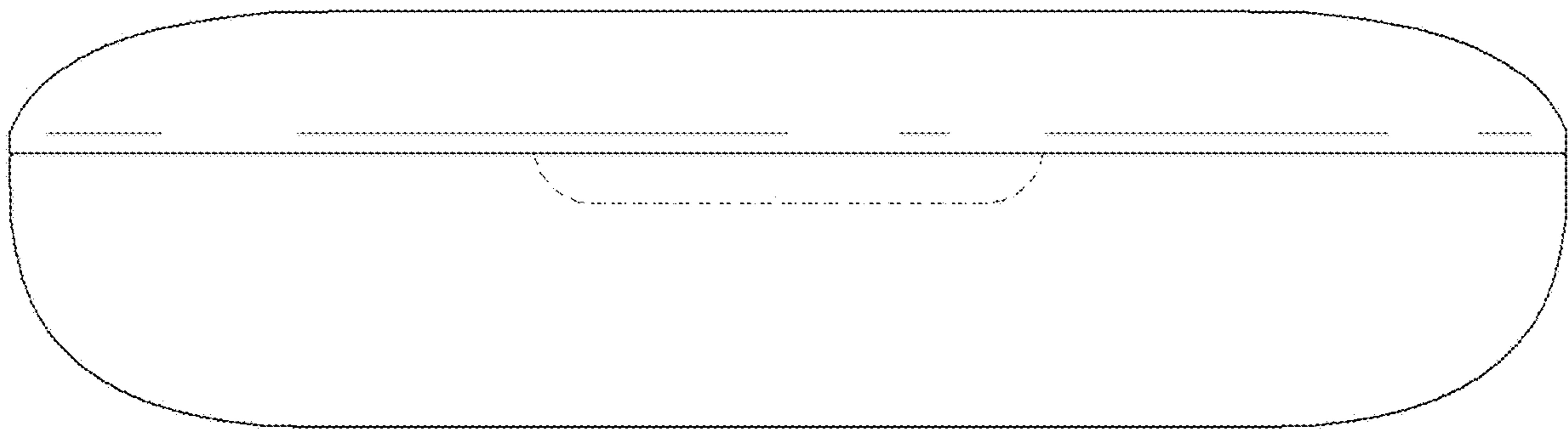
D886,453 S * 6/2020 Wright D3/294
 D891,774 S * 8/2020 Yu D3/294
 D892,497 S * 8/2020 Wright D3/294
 D892,498 S * 8/2020 Wright D3/294
 D892,499 S * 8/2020 Wright D3/303
 D893,184 S * 8/2020 Liu D3/294
 D893,185 S * 8/2020 Liu D3/294
 D901,177 S * 11/2020 Wei D3/294
 D901,382 S * 11/2020 Zhang D13/108
 D902,588 S * 11/2020 Zhang D3/294
 D902,589 S * 11/2020 Li D3/295
 D911,027 S * 2/2021 Liang D3/274
 D911,274 S * 2/2021 Ding D13/108
 D911,944 S * 3/2021 Gao D13/108
 D911,945 S * 3/2021 Xian D13/108
 D912,622 S * 3/2021 Zhou D13/108
 D913,292 S * 3/2021 Brown D14/440
 D916,291 S * 4/2021 Fernando D24/169
 D916,460 S * 4/2021 Xu D3/273
 D918,213 S * 5/2021 Miyatake D14/440
 2020/0068285 A1 * 2/2020 Dang H04R 1/1016

* cited by examiner

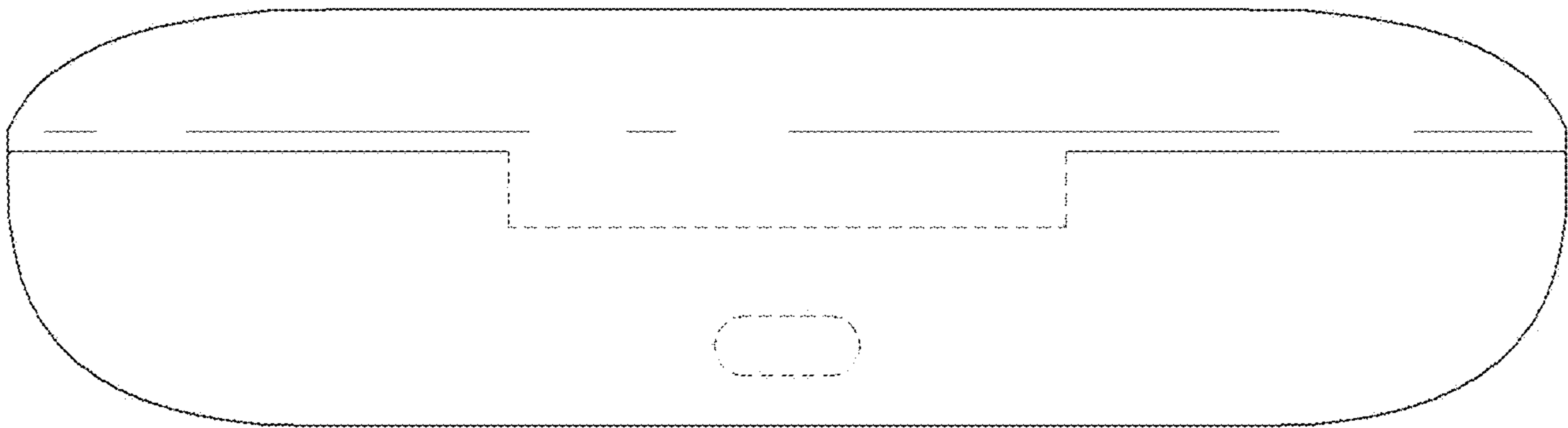
1.1



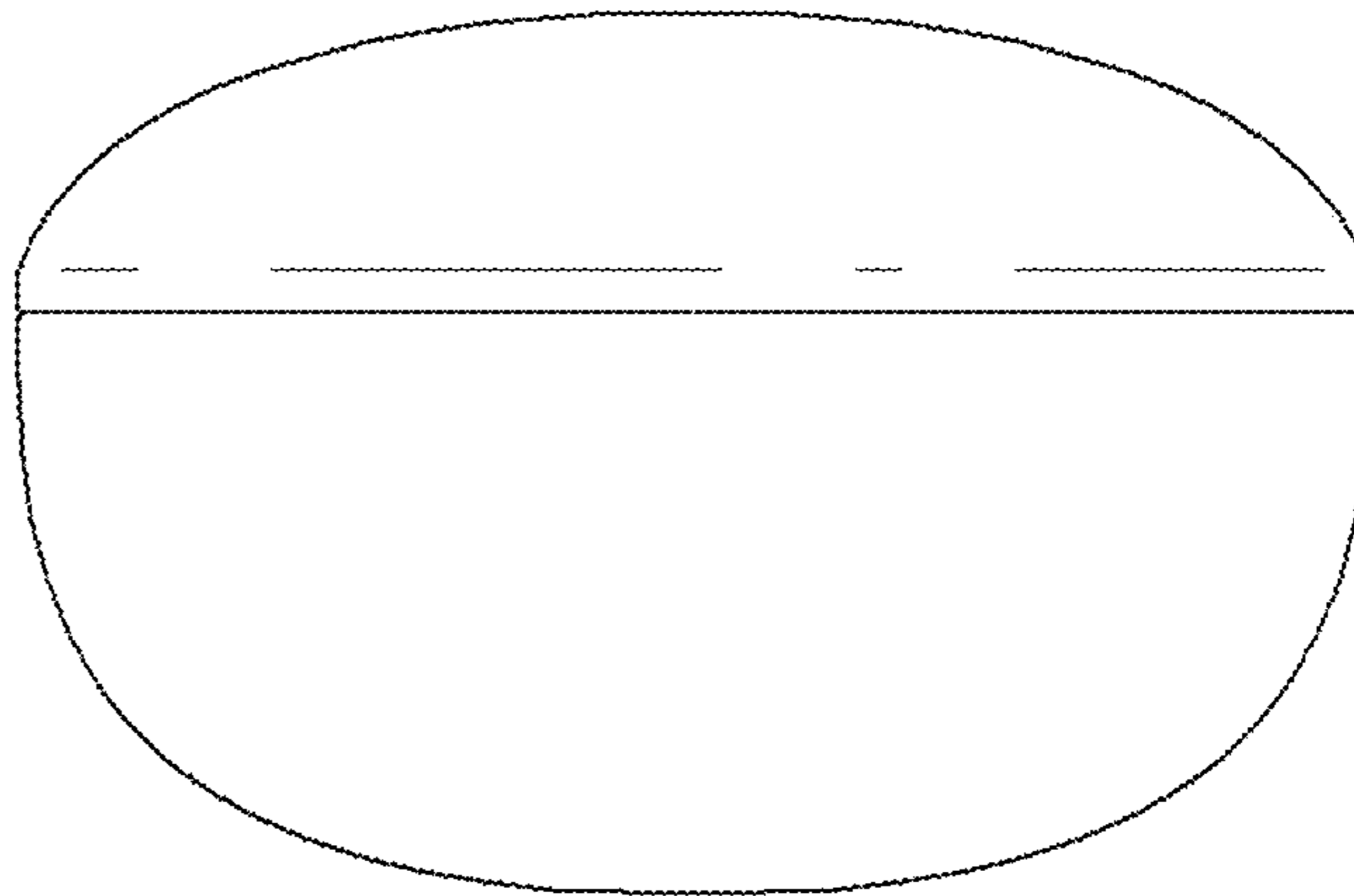
1.2



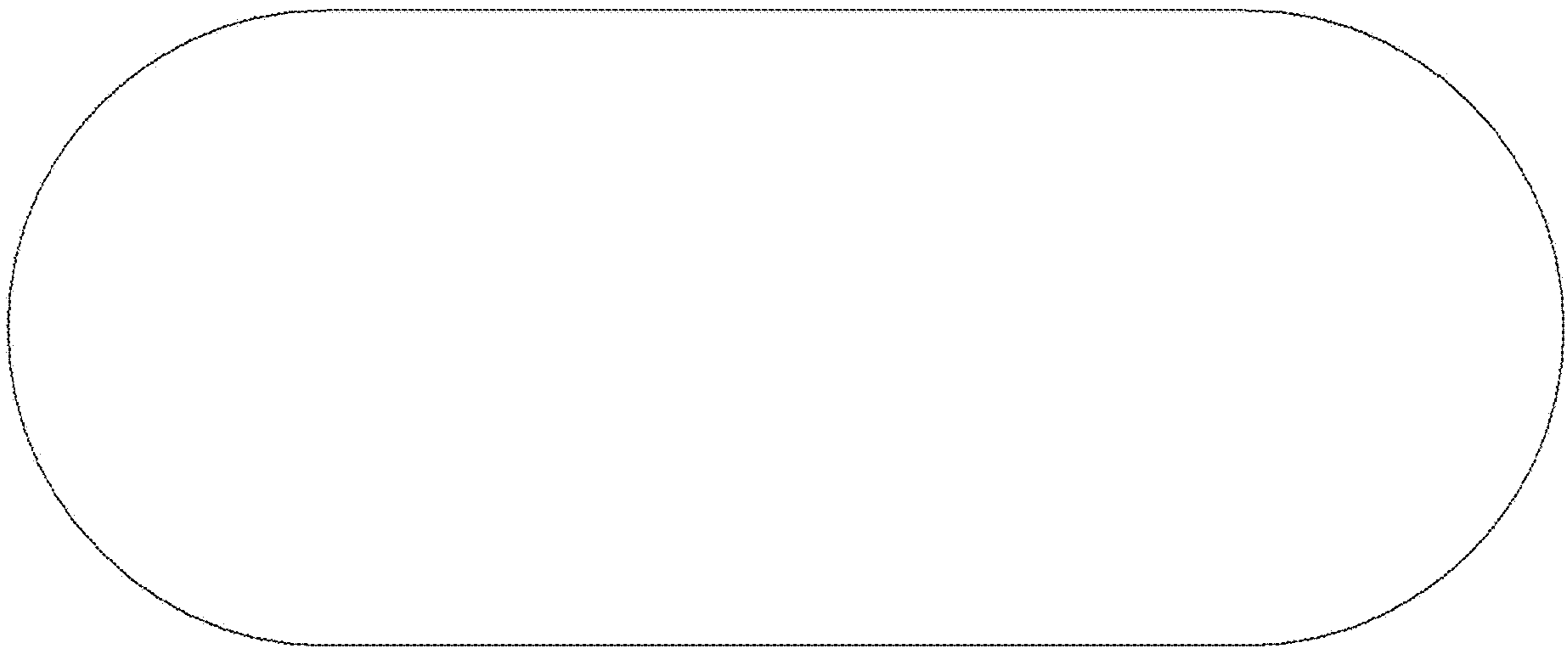
1.3



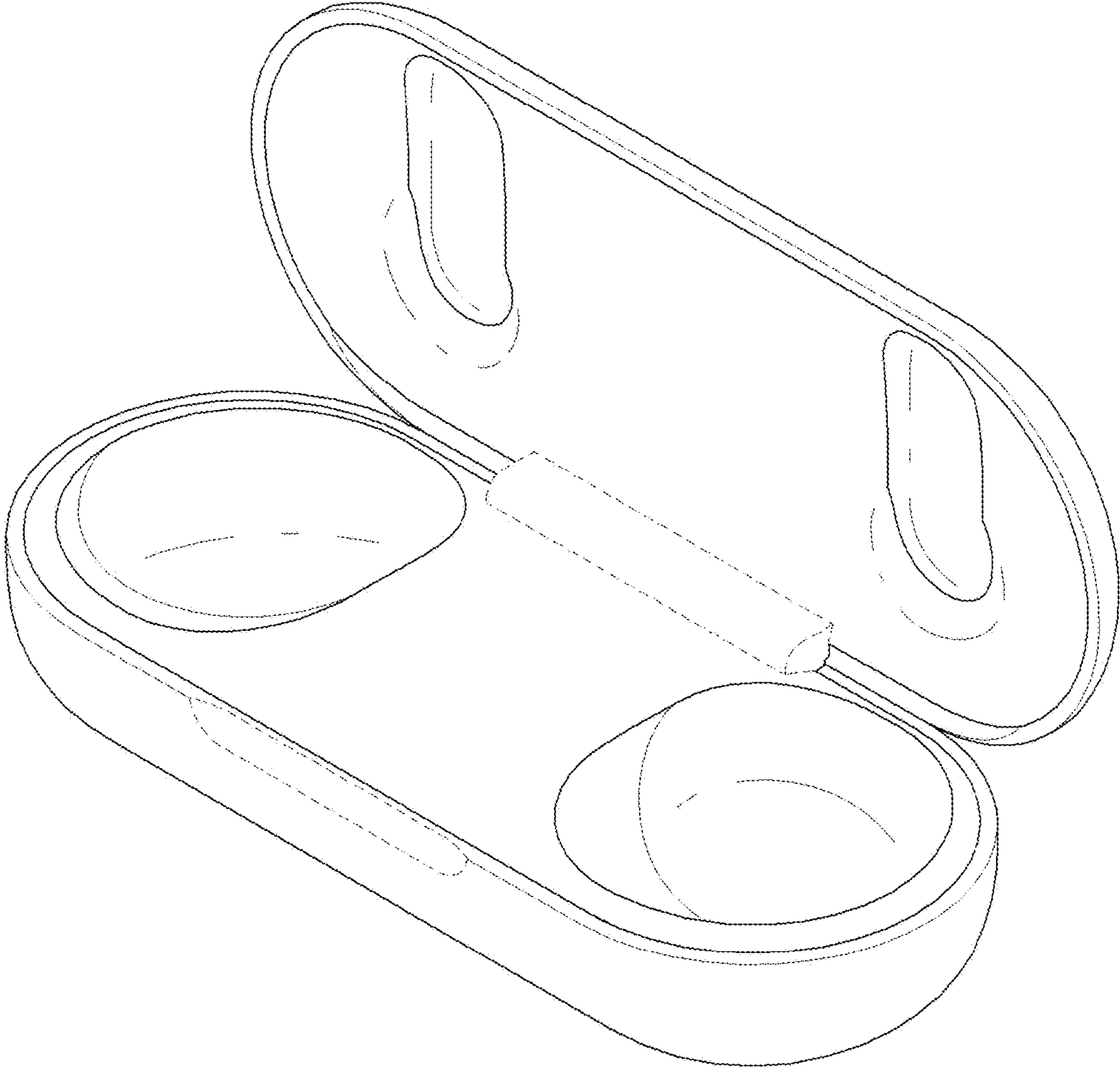
1.4



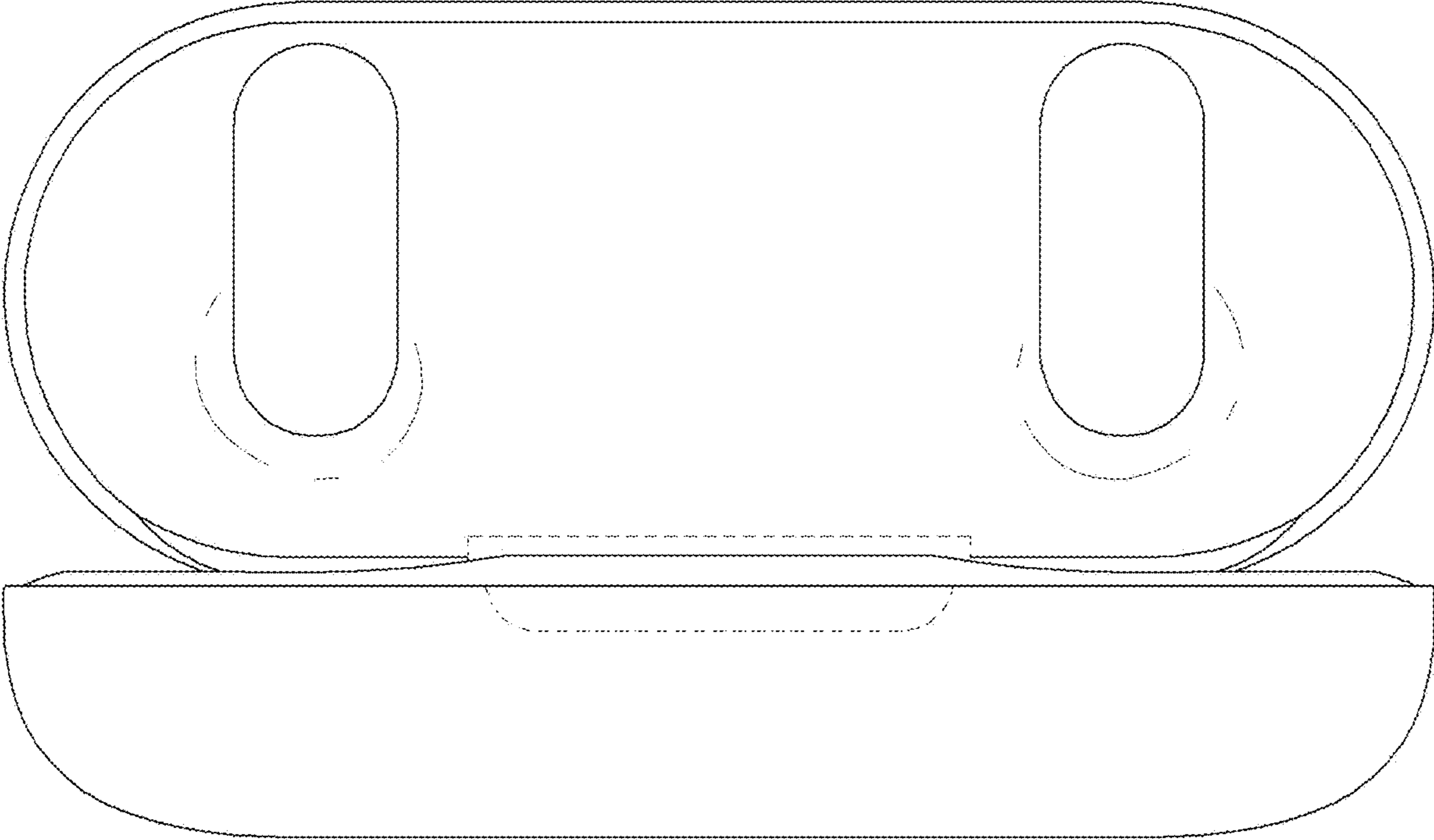
1.5



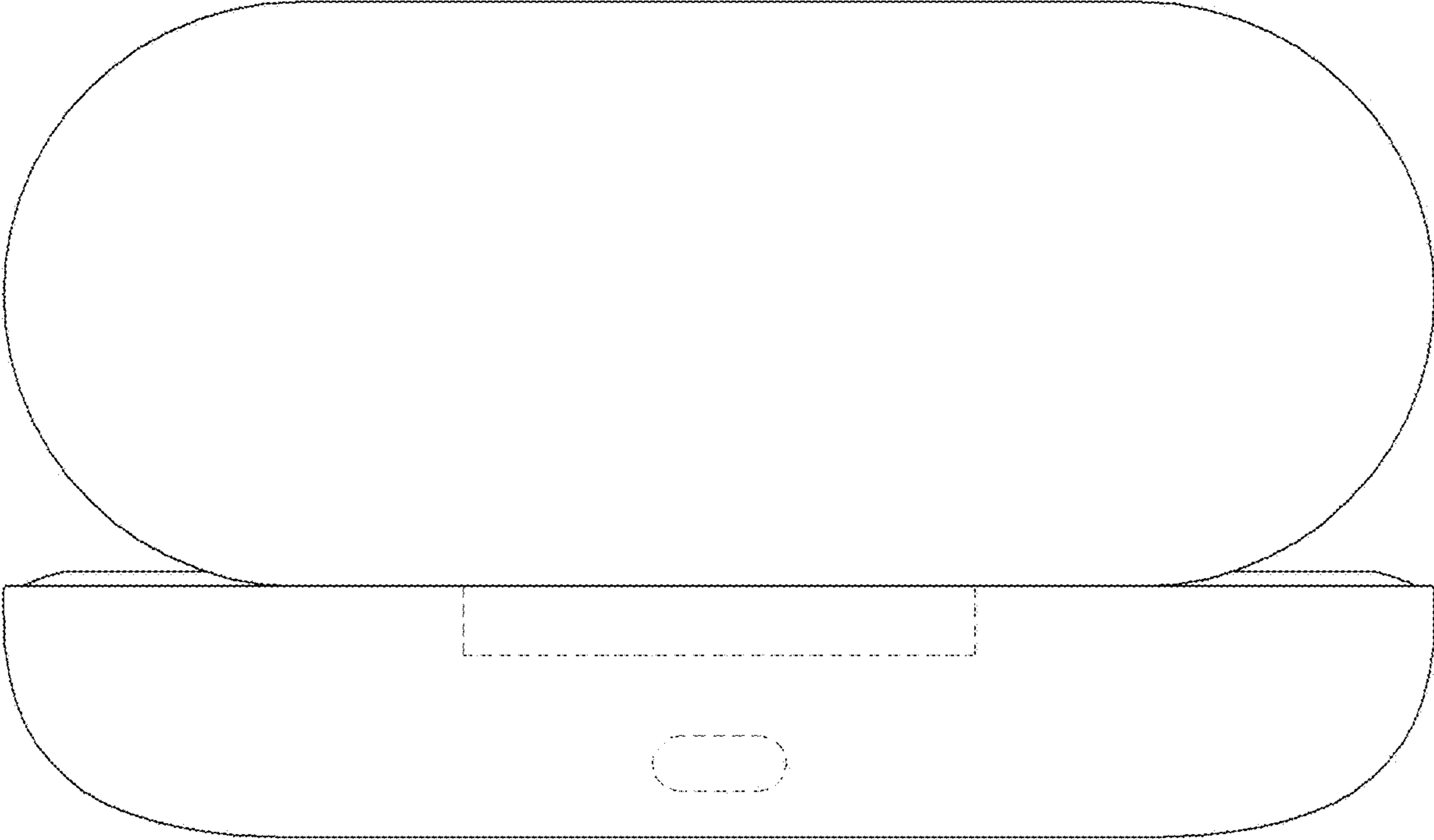
1.6



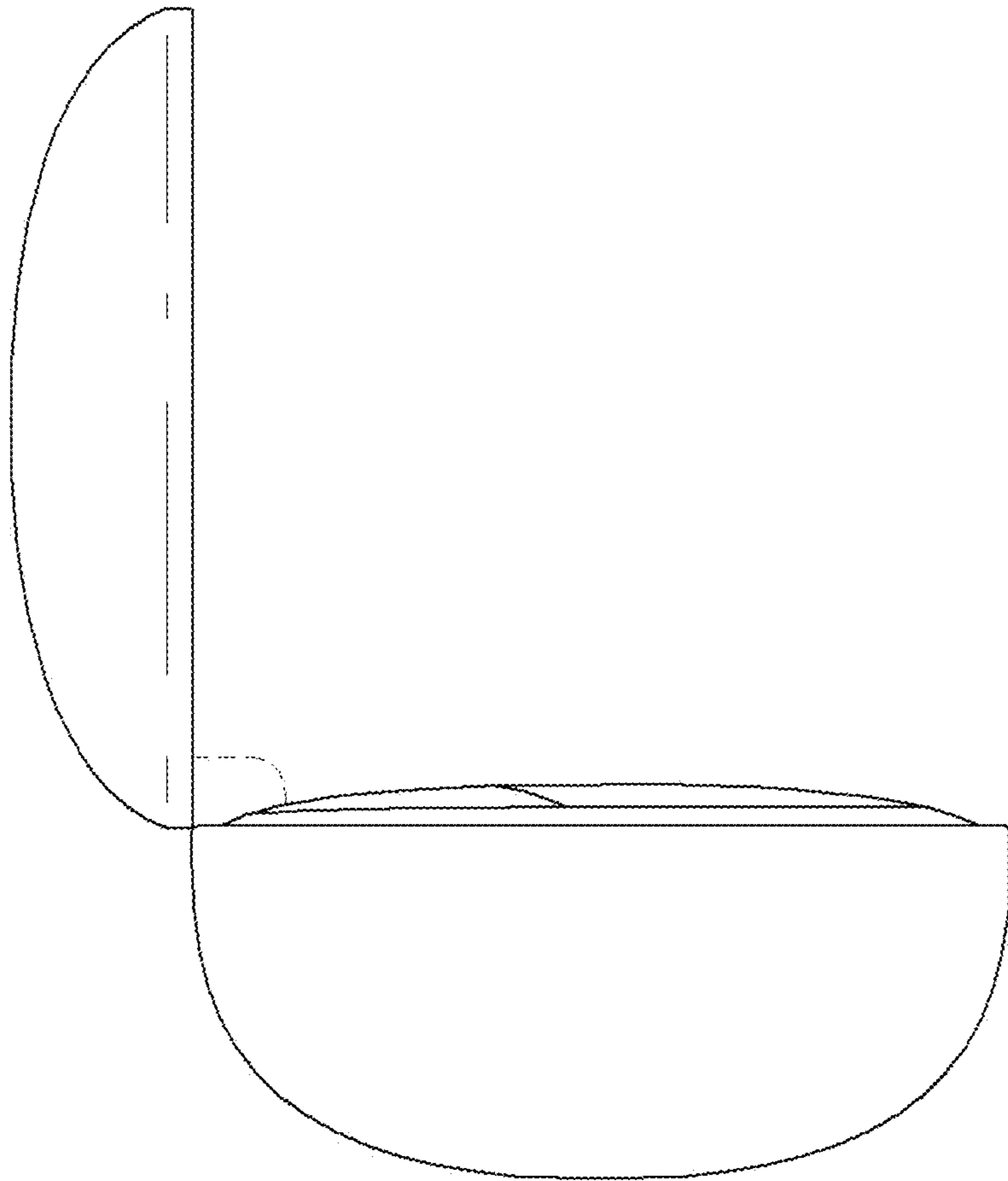
1.7



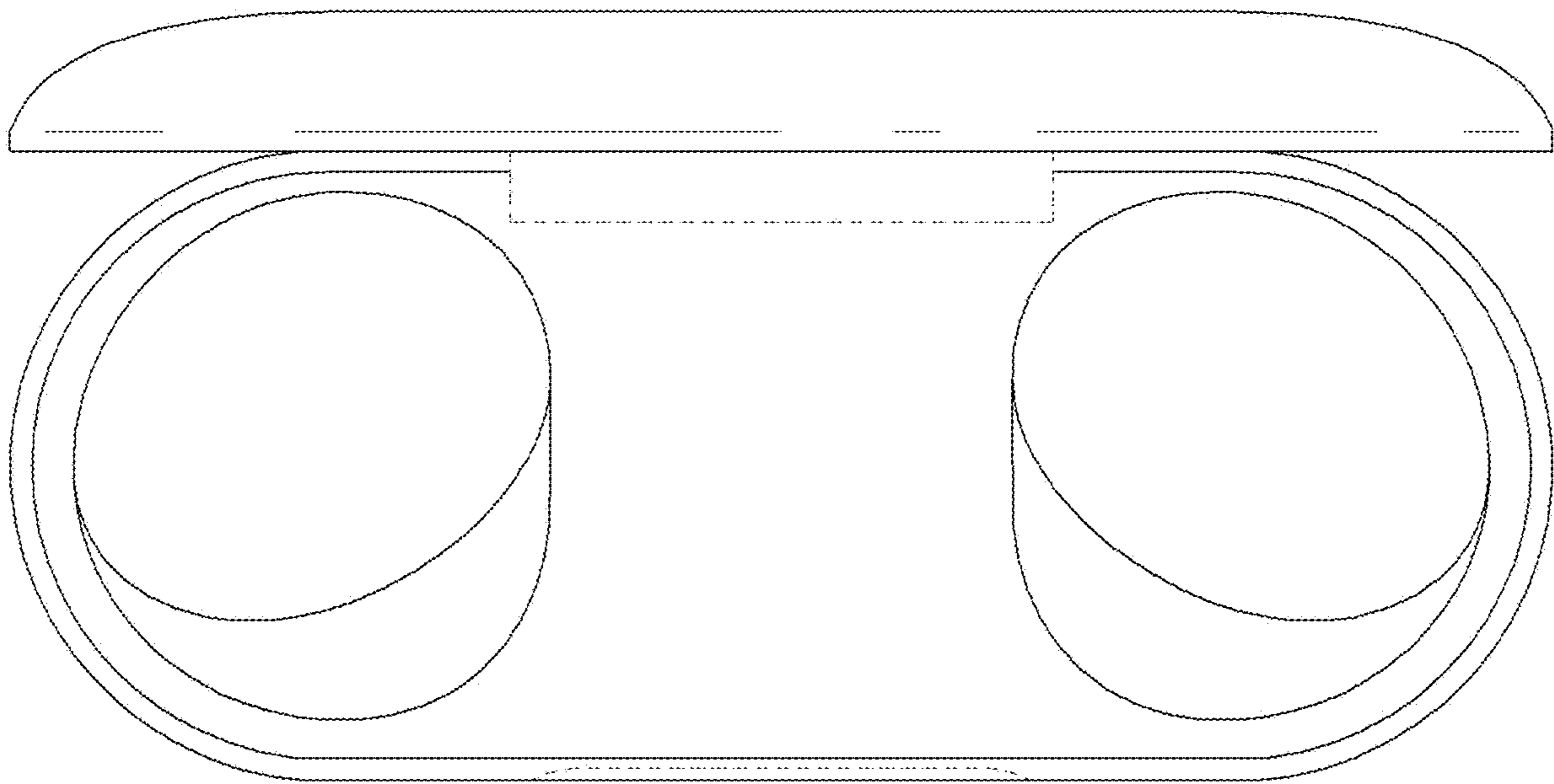
1.8



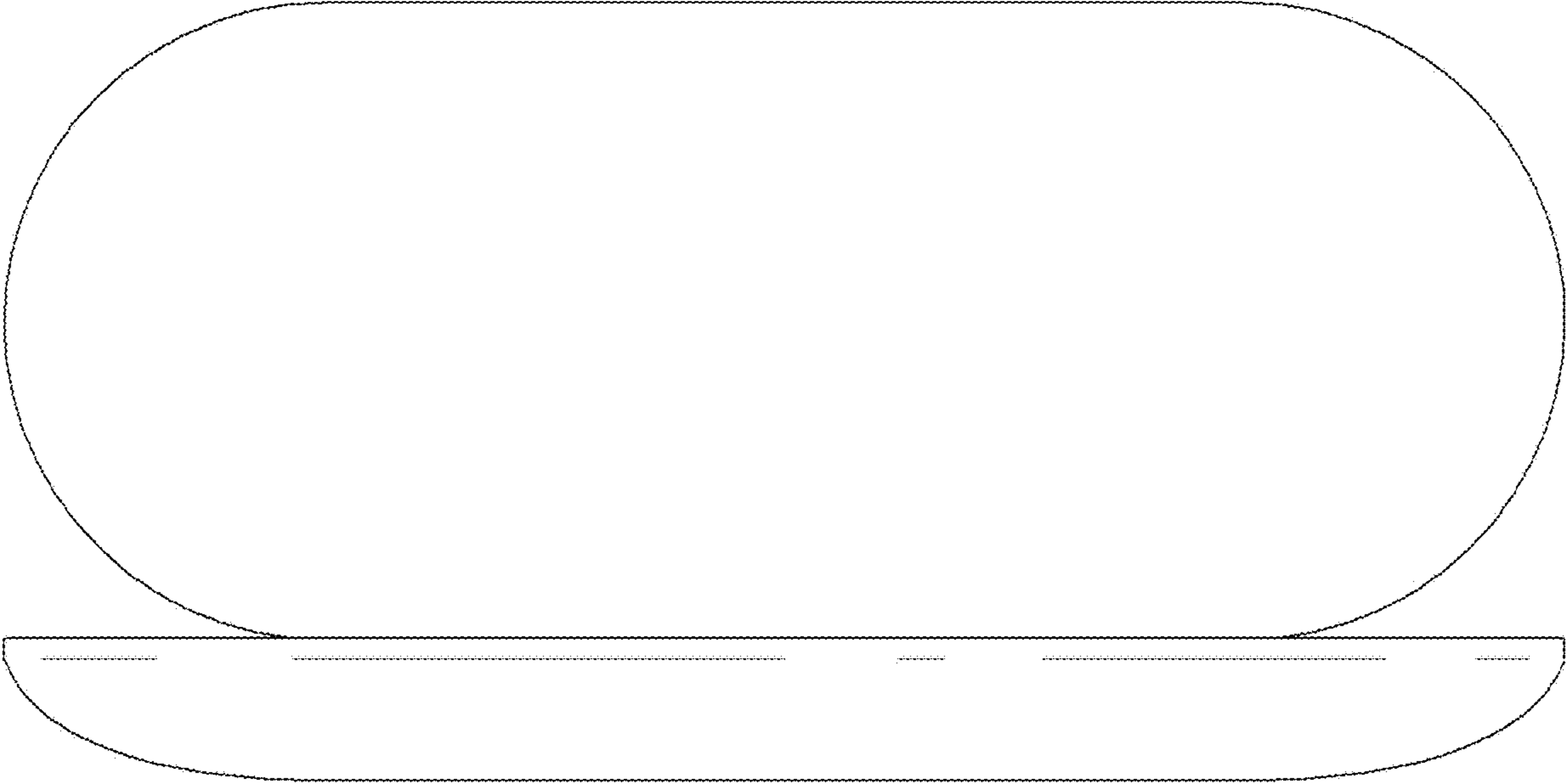
1.9



1.10



1.11



1.12

