



US00D929960S

(12) **United States Design Patent**  
**Susterman**

(10) **Patent No.:** **US D929,960 S**

(45) **Date of Patent:** **\*\* Sep. 7, 2021**

- (54) **DOUBLE TOWER SPEAKER**
- (71) Applicant: **Spirit, LLC**, Miami Gardens, FL (US)
- (72) Inventor: **Alberto Susterman**, Miami Gardens, FL (US)
- (73) Assignee: **Spirit LLC**, Miami Gardens, FL (US)
- (\*\*) Term: **15 Years**
- (21) Appl. No.: **29/716,334**
- (22) Filed: **Dec. 9, 2019**
- (51) **LOC (13) Cl.** ..... **14-01**
- (52) **U.S. Cl.**  
USPC ..... **D14/216**
- (58) **Field of Classification Search**  
USPC ..... D14/209–219, 167–168, 170–172, 188,  
D14/199, 194–196, 204, 221–222, 224,  
D14/496, 265; D21/516, 513  
CPC ..... H04R 1/02; H04R 1/021; H04R 1/023;  
H04R 5/00; H04R 9/06; H04R 2420/07  
See application file for complete search history.

(56) **References Cited**

**U.S. PATENT DOCUMENTS**

|                 |         |            |       |           |
|-----------------|---------|------------|-------|-----------|
| D504,675 S *    | 5/2005  | Dayan      | ..... | D14/216   |
| D513,747 S *    | 1/2006  | Chin       | ..... | D14/216   |
| D552,516 S *    | 10/2007 | Files      | ..... | D12/114   |
| D575,273 S *    | 8/2008  | Cherry, II | ..... | D14/216   |
| D584,717 S *    | 1/2009  | Files      | ..... | D12/114   |
| D644,207 S *    | 8/2011  | Odell      | ..... | D14/216   |
| D670,676 S *    | 11/2012 | Diedrich   | ..... | D14/204   |
| D676,418 S *    | 2/2013  | Suzuki     | ..... | D14/209.1 |
| D759,632 S *    | 6/2016  | Fischer    | ..... | D14/216   |
| D876,397 S *    | 2/2020  | Susterman  | ..... | D14/219   |
| D900,058 S *    | 10/2020 | Fay        | ..... | D14/209   |
| 10,841,689 B2 * | 11/2020 | Fay        | ..... | H04R 3/14 |

|                   |         |          |       |            |
|-------------------|---------|----------|-------|------------|
| 2017/0223439 A1 * | 8/2017  | Cross    | ..... | F16B 2/08  |
| 2018/0184183 A1 * | 6/2018  | Kaplan   | ..... | H04R 1/023 |
| 2019/0215588 A1 * | 7/2019  | Morisaki | ..... | H04R 9/06  |
| 2020/0363054 A1 * | 11/2020 | Wilson   | ..... | H04R 1/028 |

**OTHER PUBLICATIONS**

Hydro 2-WAY Marine Wakeboard , ds18.com, [online], [site visited Nov. 24, 2020], Available from internet URL: <https://ds18.com/collections/marine-towers/products/hydro-6-5-2-way-marine-wakeboard-pod-tower-speakers-with-1-compression-driver-and-integrated-rgb-lights-4> (Year: 2020).\*

Monster Bluetooth Speaker, first available Jan. 11, 2020, amazon.com, [online], [site visited Nov. 24, 2020], Available from internet URL: [https://www.amazon.com/Monster-Bluetooth-Adventurer-Waterproof-Microphone/dp/B083QYF81D/ref=sr\\_1\\_528?crid=3BYZX6SGZSU3J&dchild=1&%E2%80%A6](https://www.amazon.com/Monster-Bluetooth-Adventurer-Waterproof-Microphone/dp/B083QYF81D/ref=sr_1_528?crid=3BYZX6SGZSU3J&dchild=1&%E2%80%A6) (Year: 2020).\*

\* cited by examiner

*Primary Examiner* — Samantha Q Lawrence

*Assistant Examiner* — Holly M Rodriguez

(74) *Attorney, Agent, or Firm* — Bay State IP, LLC

(57) **CLAIM**

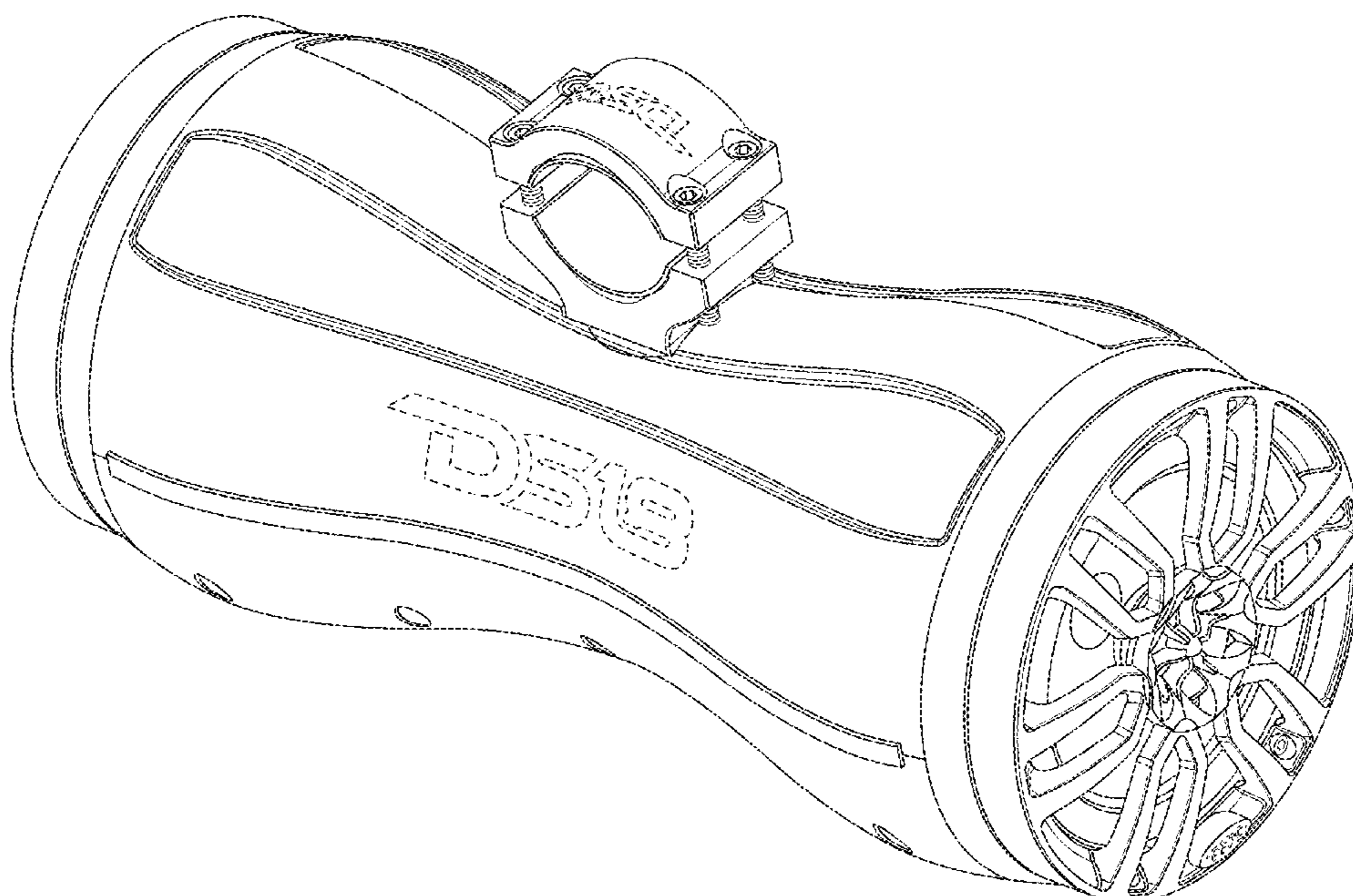
The ornamental design for a double tower speaker, as shown and described.

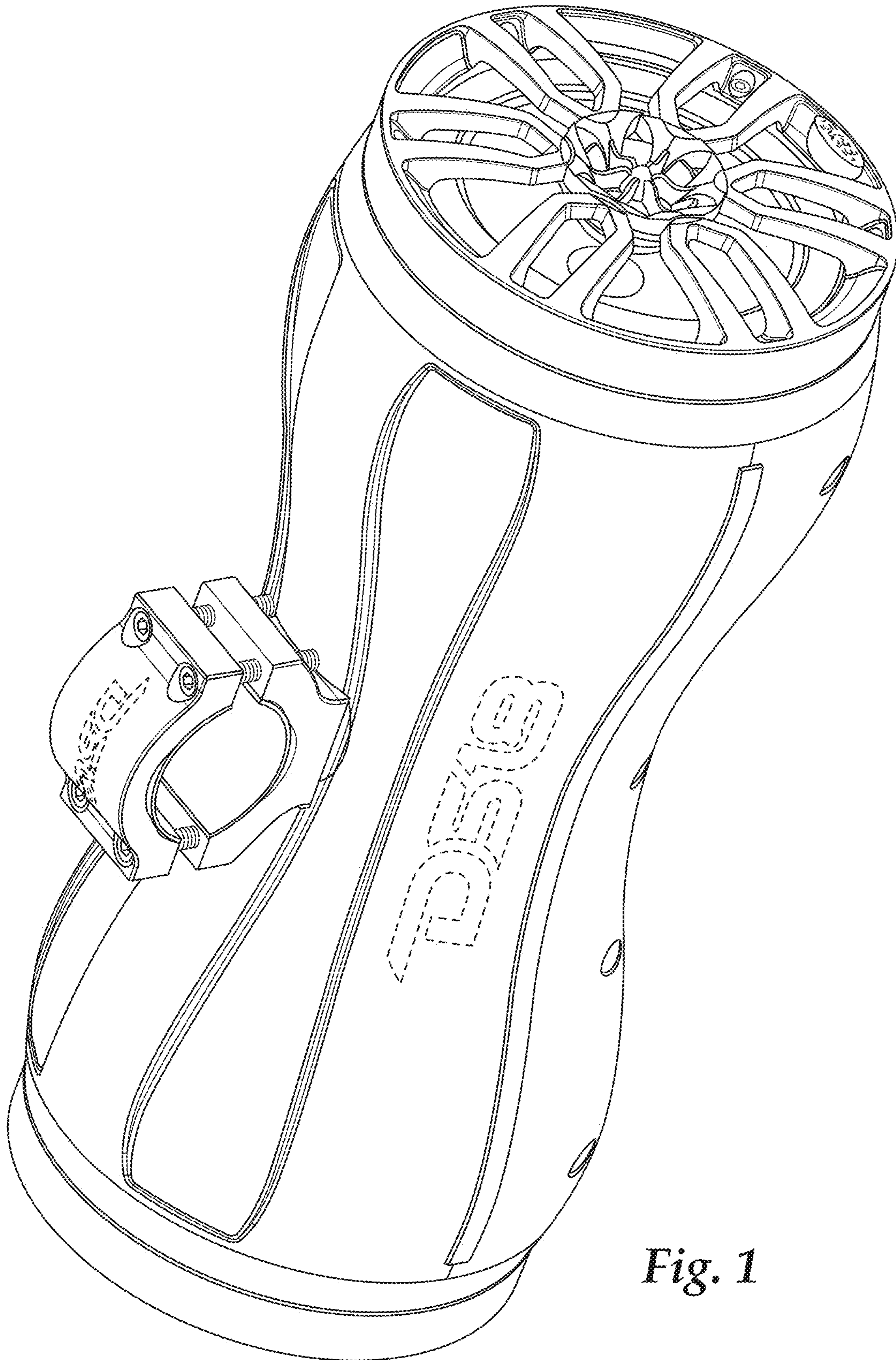
**DESCRIPTION**

FIG. 1 is a top perspective view showing my new design; FIG. 2 is a bottom perspective view thereof; FIG. 3 is a front view thereof; FIG. 4 is a left side view thereof; FIG. 5 is a right view thereof; and, FIG. 6 is a top view thereof.

The broken lines in the drawings depict portions of the double tower speaker that form no part of the claimed design.

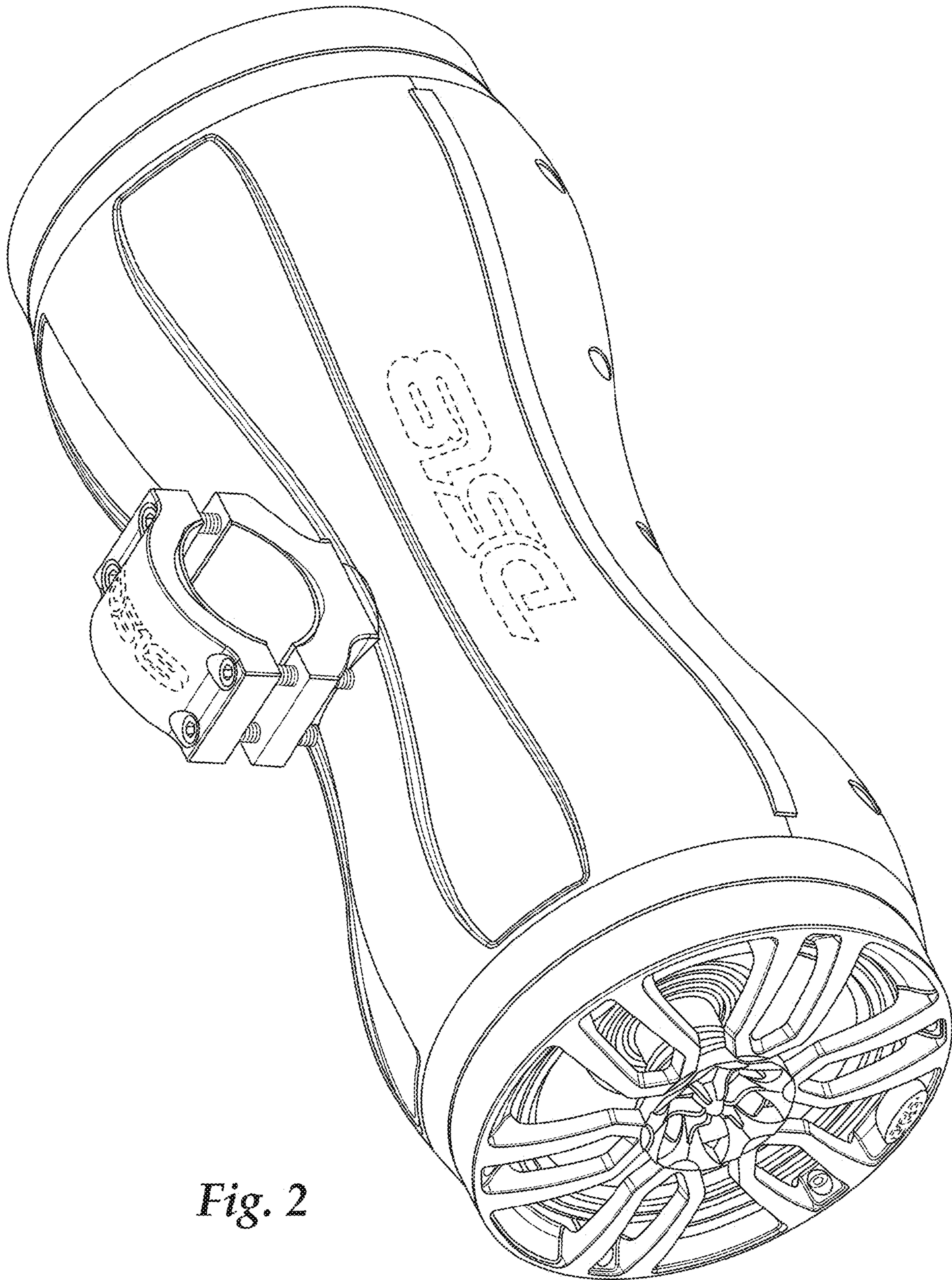
**1 Claim, 6 Drawing Sheets**



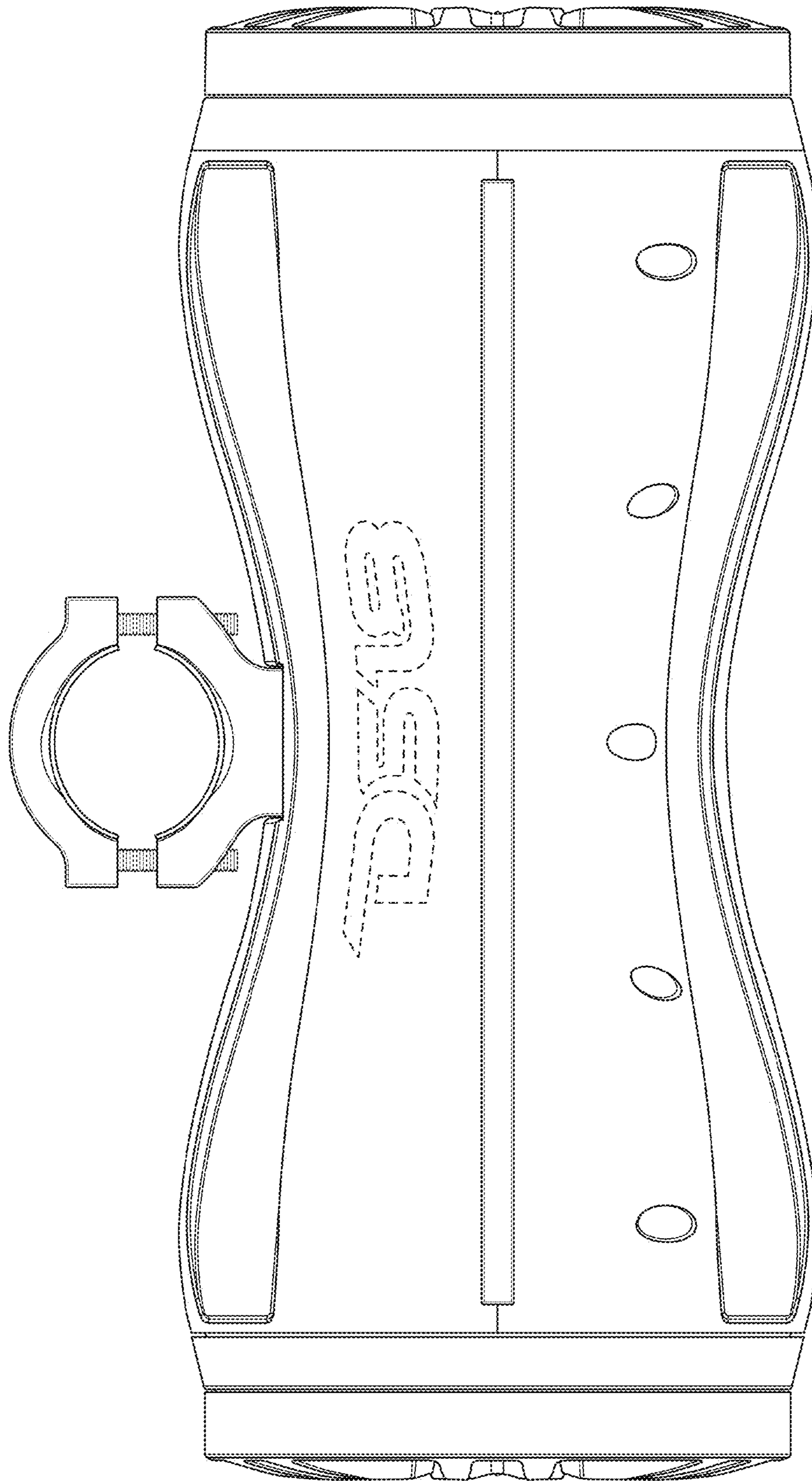


*Fig. 1*

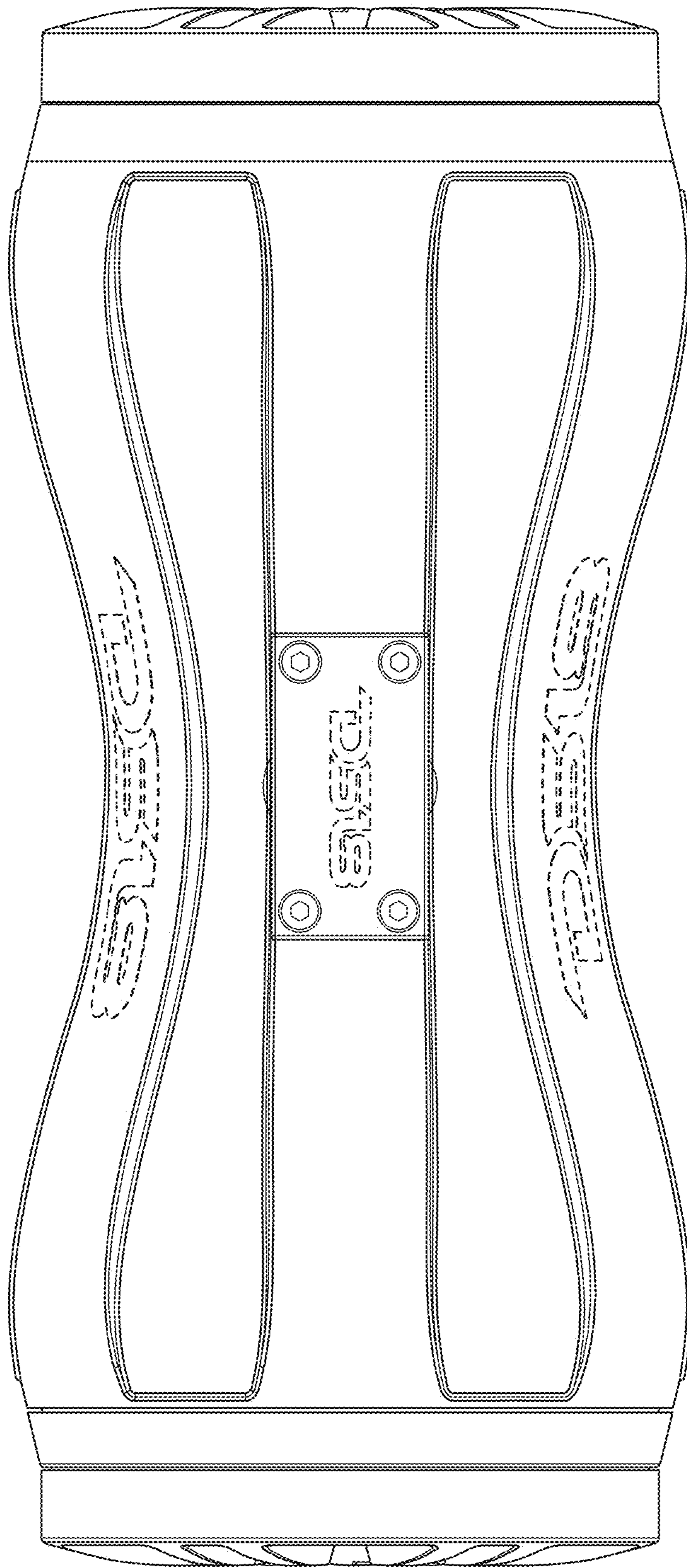




*Fig. 2*

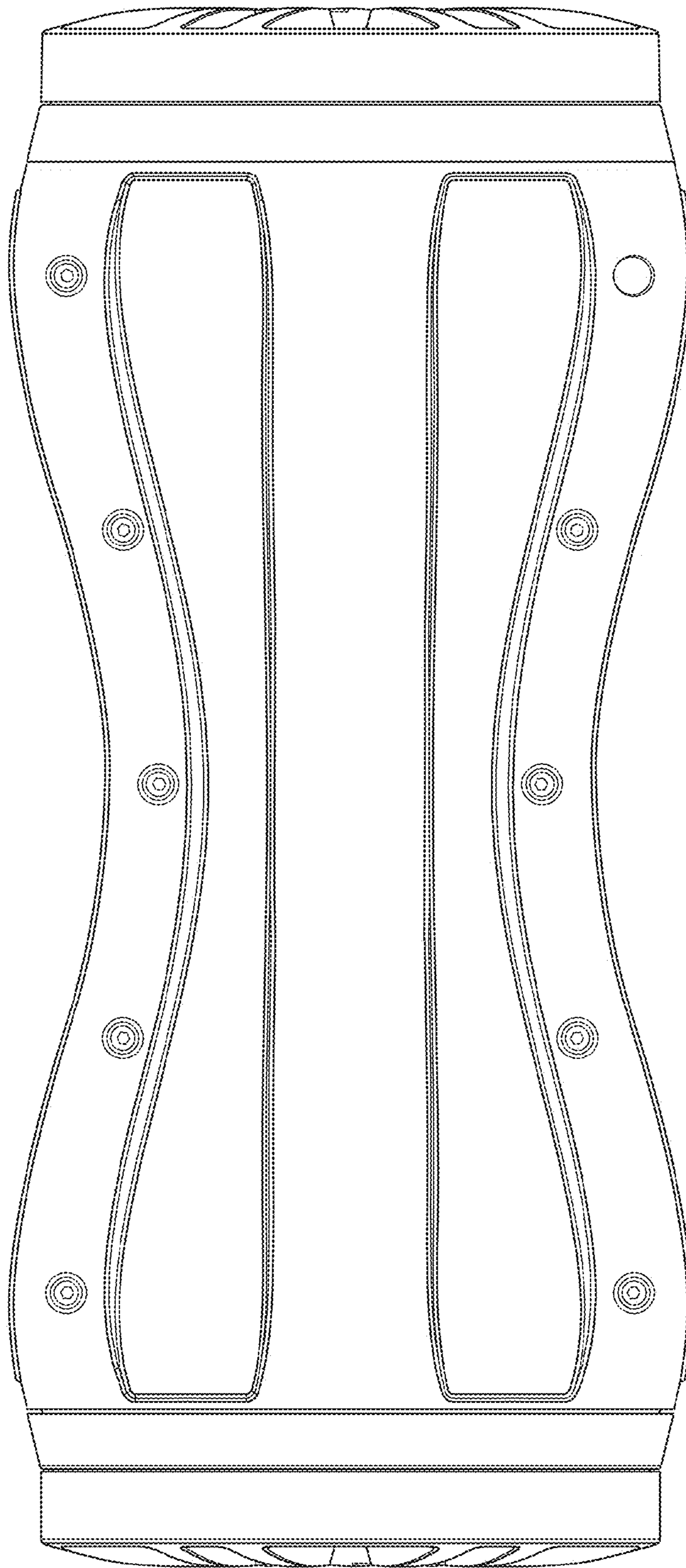


*Fig. 3*

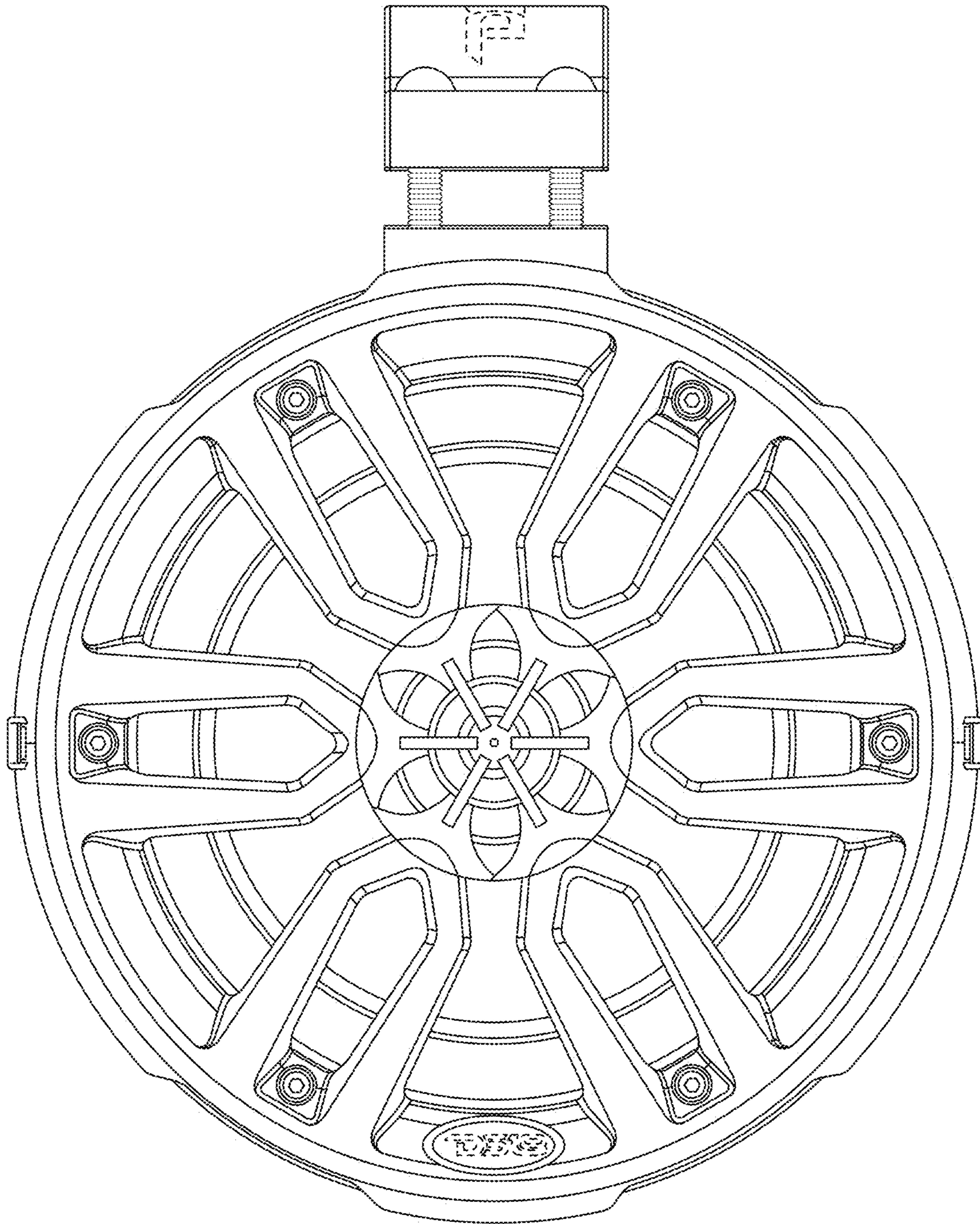


*Fig. 4*





*Fig. 5*



*Fig. 6*