



US00D929954S

(12) **United States Design Patent**  
**Bicudo et al.**

(10) **Patent No.:** **US D929,954 S**  
(45) **Date of Patent:** **\*\* Sep. 7, 2021**

(54) **HANDHELD COMMUNICATION DEVICE**

D831,600 S \* 10/2018 Aihсан ..... D14/137  
D851,615 S \* 6/2019 Lee ..... D14/137  
D857,642 S \* 8/2019 Nilsen ..... D14/137  
D880,443 S \* 4/2020 Takahashi ..... D14/138 AA  
2020/0111625 A1\* 4/2020 Ng ..... H01H 9/0214

(71) Applicant: **MOTOROLA SOLUTIONS, INC.**,  
Chicago, IL (US)

(72) Inventors: **Felippe Morais Bicudo**, Fort  
Lauderdale, FL (US); **Lanting L  
Garra**, Sunrise, FL (US); **Ban Hin Ooi**,  
Bayan Lepas (MY); **Chor Cheow Ng**,  
Butterworth (MY); **Ryan M Nilsen**,  
Plantation, FL (US)

(73) Assignee: **MOTOROLA SOLUTIONS, INC.**,  
Chicago, IL (US)

(\*\*) Term: **15 Years**

(21) Appl. No.: **29/721,419**

(22) Filed: **Jan. 21, 2020**

(51) **LOC (13) Cl.** ..... **14-03**

(52) **U.S. Cl.**  
USPC ..... **D14/137**

(58) **Field of Classification Search**  
USPC ..... D14/137, 138 R, 138 AA, 138 AD;  
D10/104.1

CPC .. H04B 1/3833; H04B 1/3827; H04B 1/3855;  
H04B 2001/3861; H04B 1/385; H04B  
1/3888; H04M 1/0202; H04M 1/03;  
H04M 1/035; H01Q 1/42

See application file for complete search history.

(56) **References Cited**

**U.S. PATENT DOCUMENTS**

D582,373 S \* 12/2008 Cao ..... D14/138 AA  
D582,374 S \* 12/2008 Hu ..... D14/138 AA  
D598,885 S \* 8/2009 Kangasmaa ..... D14/138 AA  
D761,223 S \* 7/2016 Oikawa ..... D14/137  
D794,587 S \* 8/2017 Page ..... D14/137  
D816,639 S \* 5/2018 Abe ..... D14/226  
D817,910 S \* 5/2018 Yamamoto ..... D14/137  
D818,451 S \* 5/2018 Takahashi ..... D14/137

**OTHER PUBLICATIONS**

MTP3000 Series Portable RADIOS [https://www.motorolasolutions.com/en\\_xu/products/tetra/terminals/portable-terminals/mtp3000.html](https://www.motorolasolutions.com/en_xu/products/tetra/terminals/portable-terminals/mtp3000.html), downloaded from the internet: Jan. 21, 2020, all pages.  
MTP6000 Series Tetra Portable Radios, [https://www.motorolasolutions.com/en\\_xa/products/dimetra-tetra/terminals/portable-terminals/mtp6000.html](https://www.motorolasolutions.com/en_xa/products/dimetra-tetra/terminals/portable-terminals/mtp6000.html), downloaded from the internet: Jan. 21, 2020, all pages.  
GARMIN Rino 7000, <https://www.garmin.com/en-US/blog/fish-and-hunt/garmin-introduces-rino-700/>, downloaded from the internet: Jan. 21, 2020, all pages.

\* cited by examiner

*Primary Examiner* — Bridget L Eland

(74) *Attorney, Agent, or Firm* — Raguraman Kumaresan

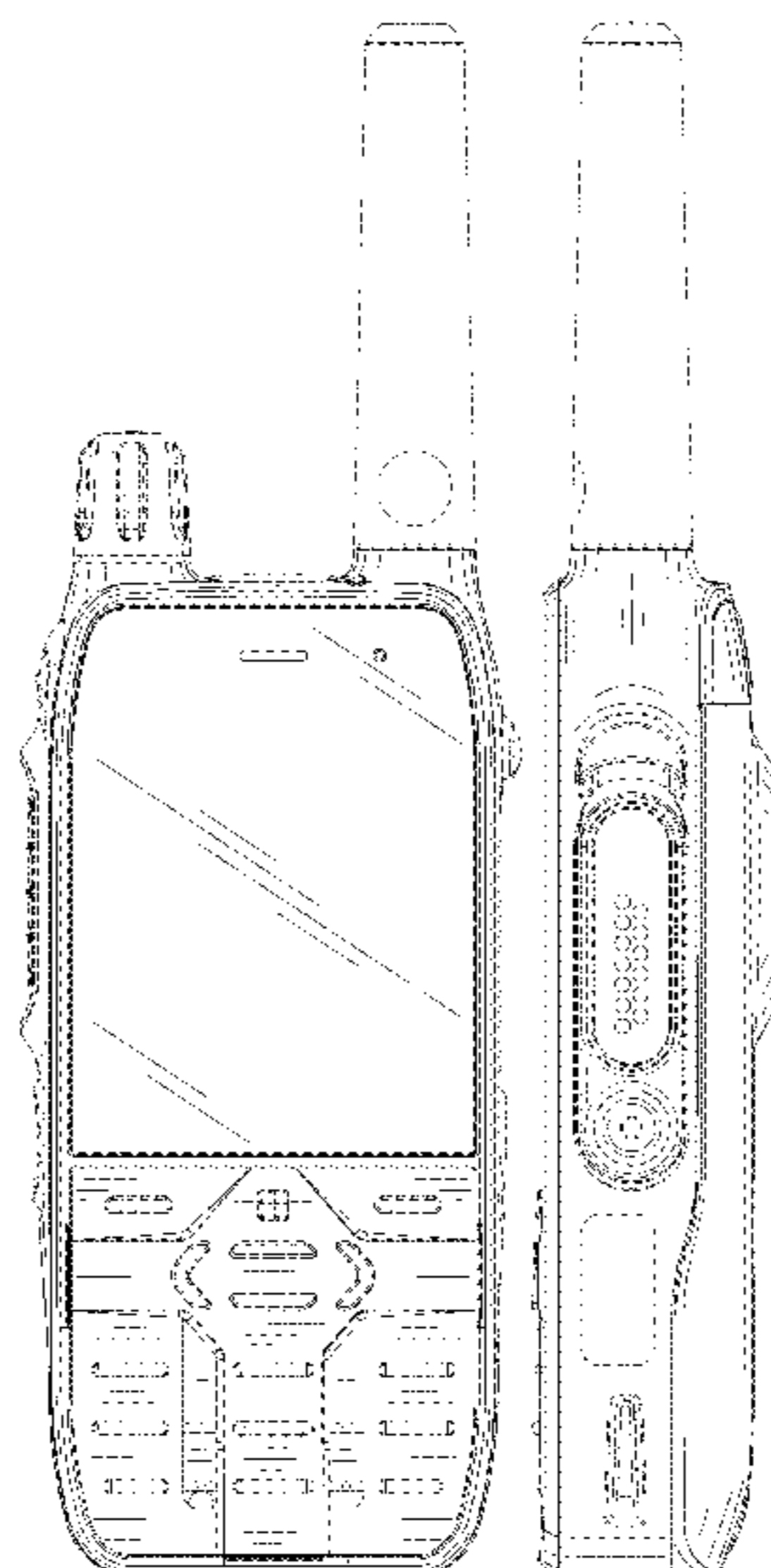
(57) **CLAIM**

The ornamental design for a handheld communication device, as shown and described.

**DESCRIPTION**

FIG. 1 is a front perspective view of a handheld communication device, showing our new design;  
FIG. 2 is a rear perspective view thereof;  
FIG. 3 is a front view thereof;  
FIG. 4 is a rear view thereof;  
FIG. 5 is a first side view thereof;  
FIG. 6 is a second side view thereof;  
FIG. 7 is a top view thereof; and,  
FIG. 8 is a bottom view thereof.  
The broken lines in the drawings are for the purpose of illustrating portions of the handheld communication device that form no part of the claimed design.

**1 Claim, 7 Drawing Sheets**



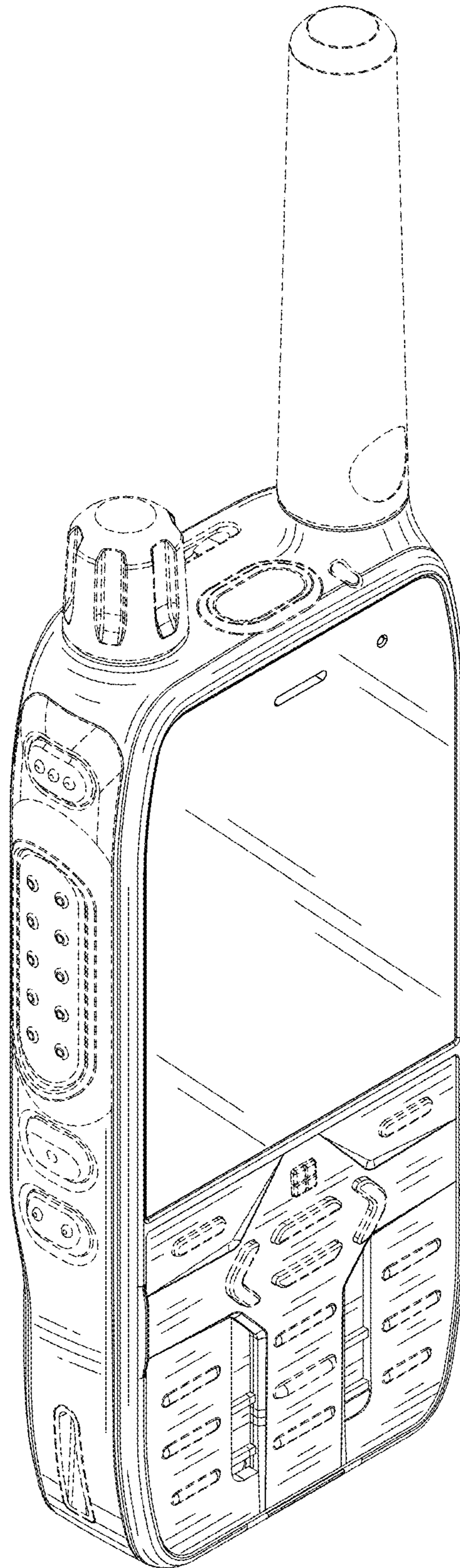


FIG. 1

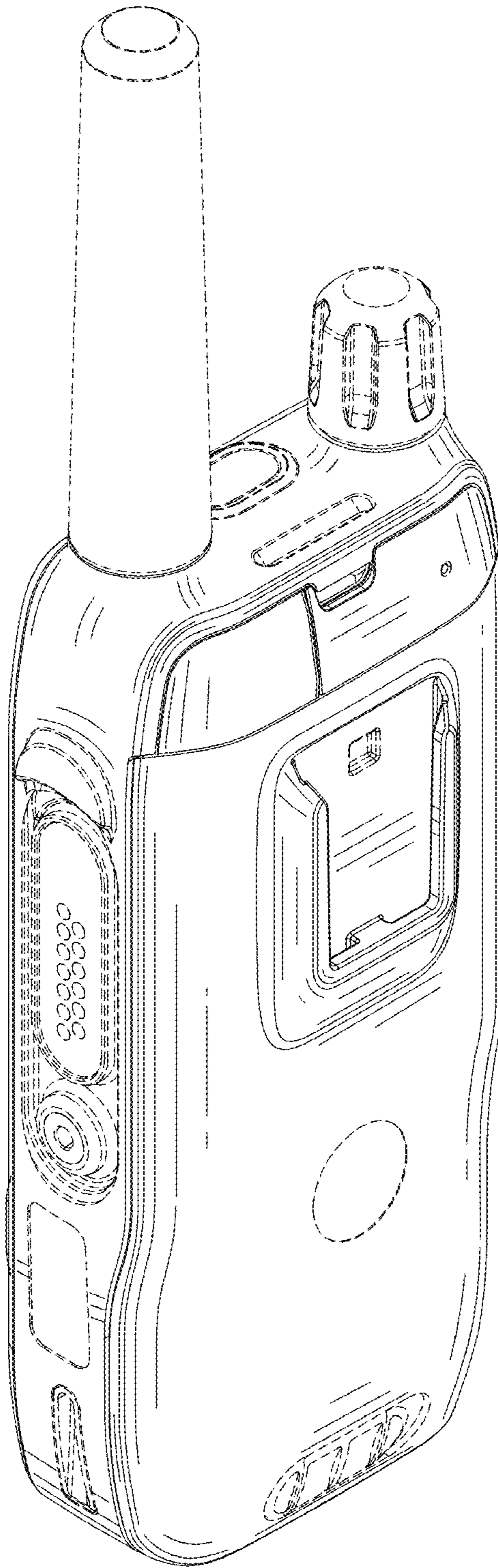


FIG. 2

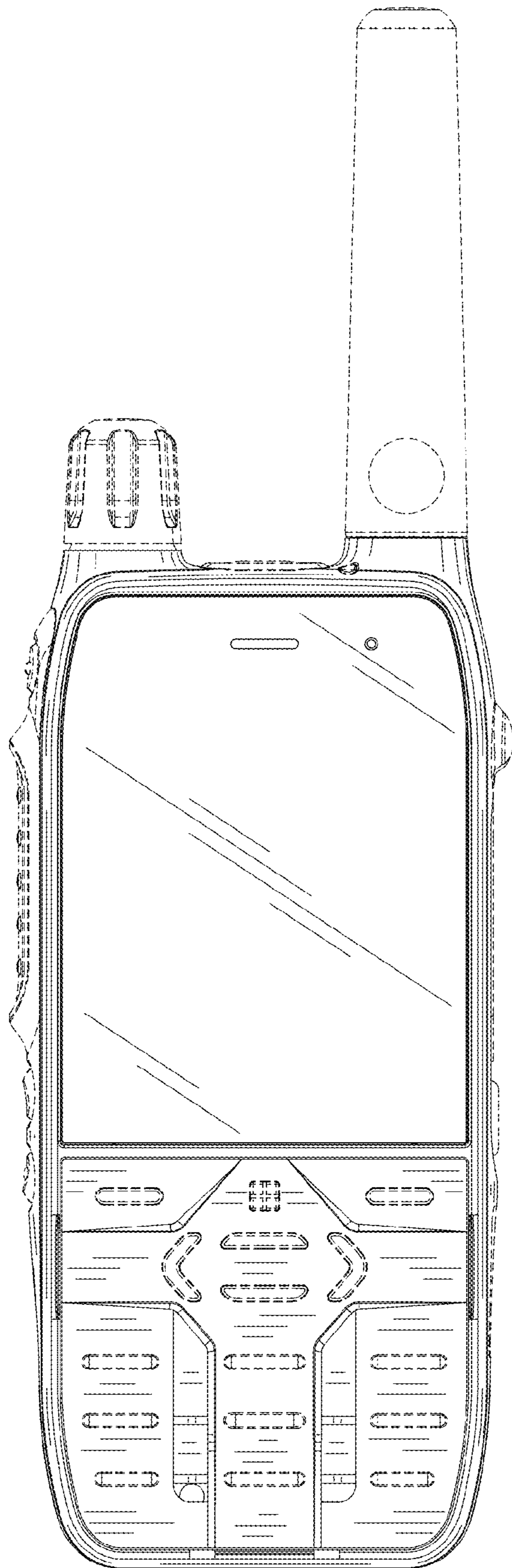


FIG. 3

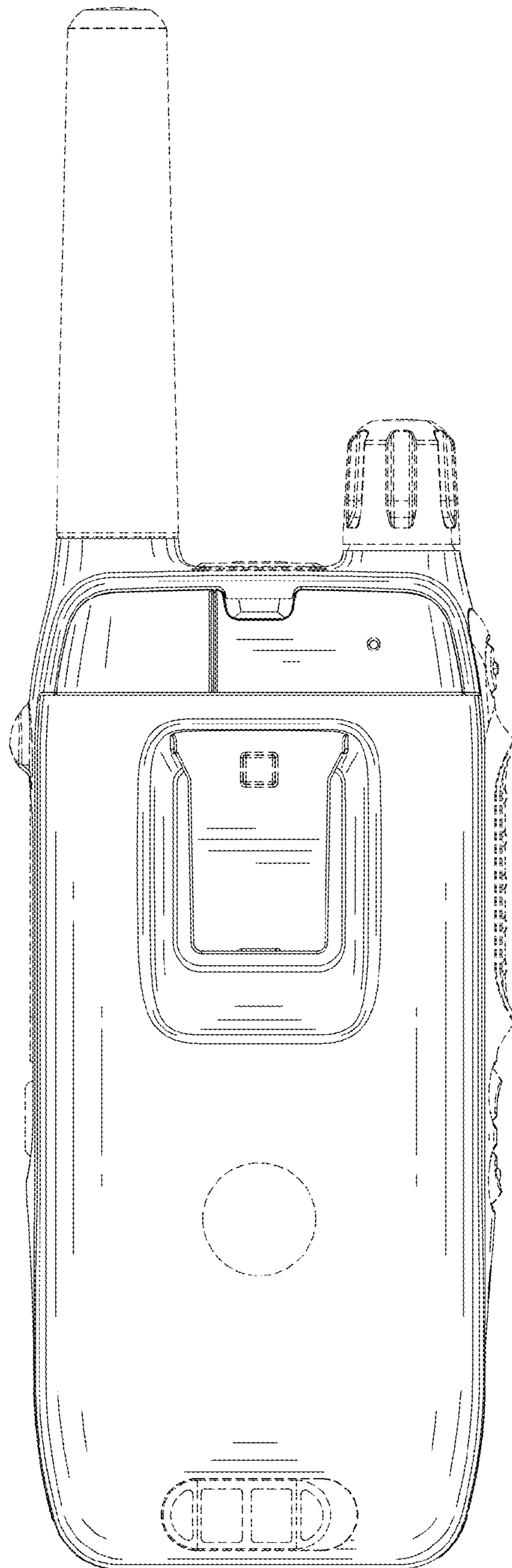


FIG. 4

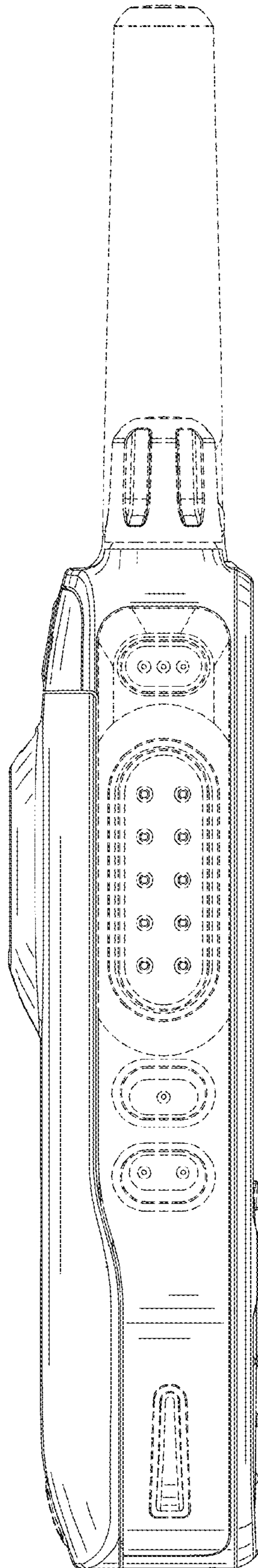


FIG. 5

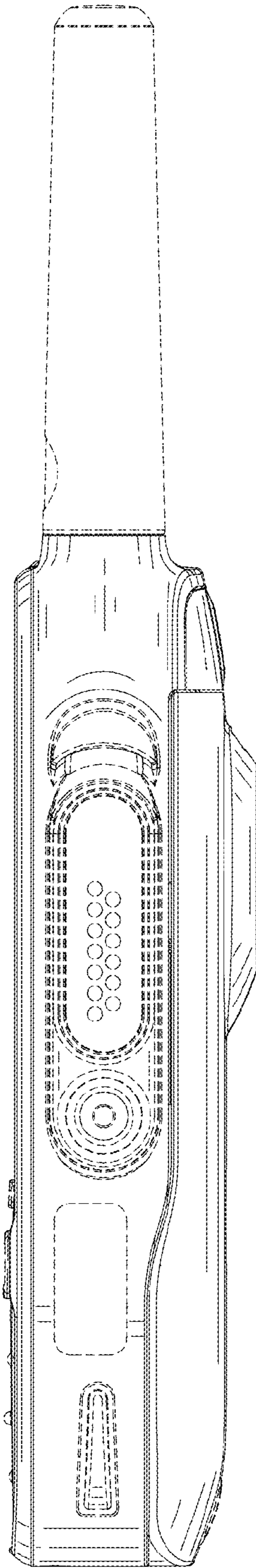


FIG. 6

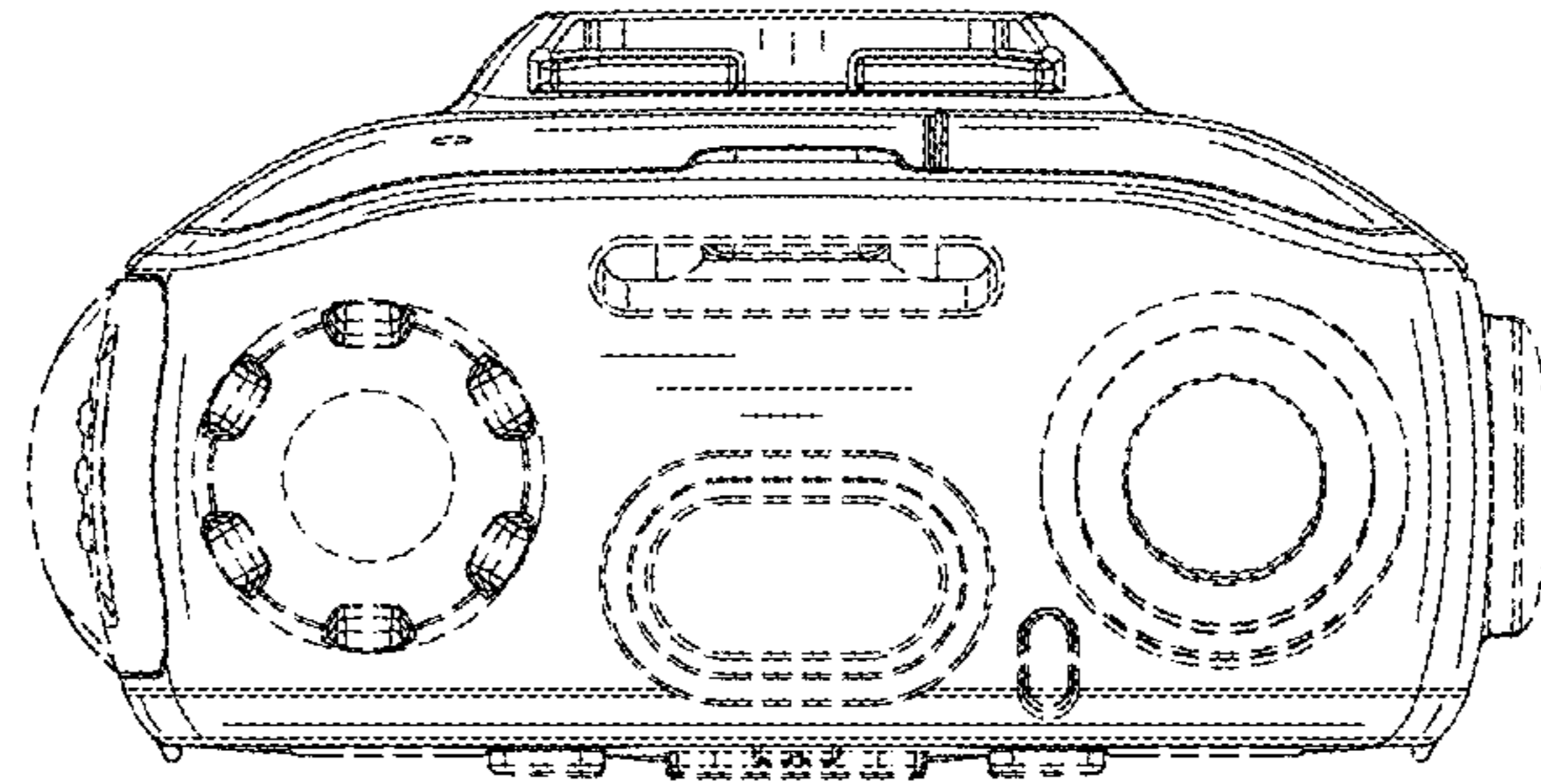


FIG. 7

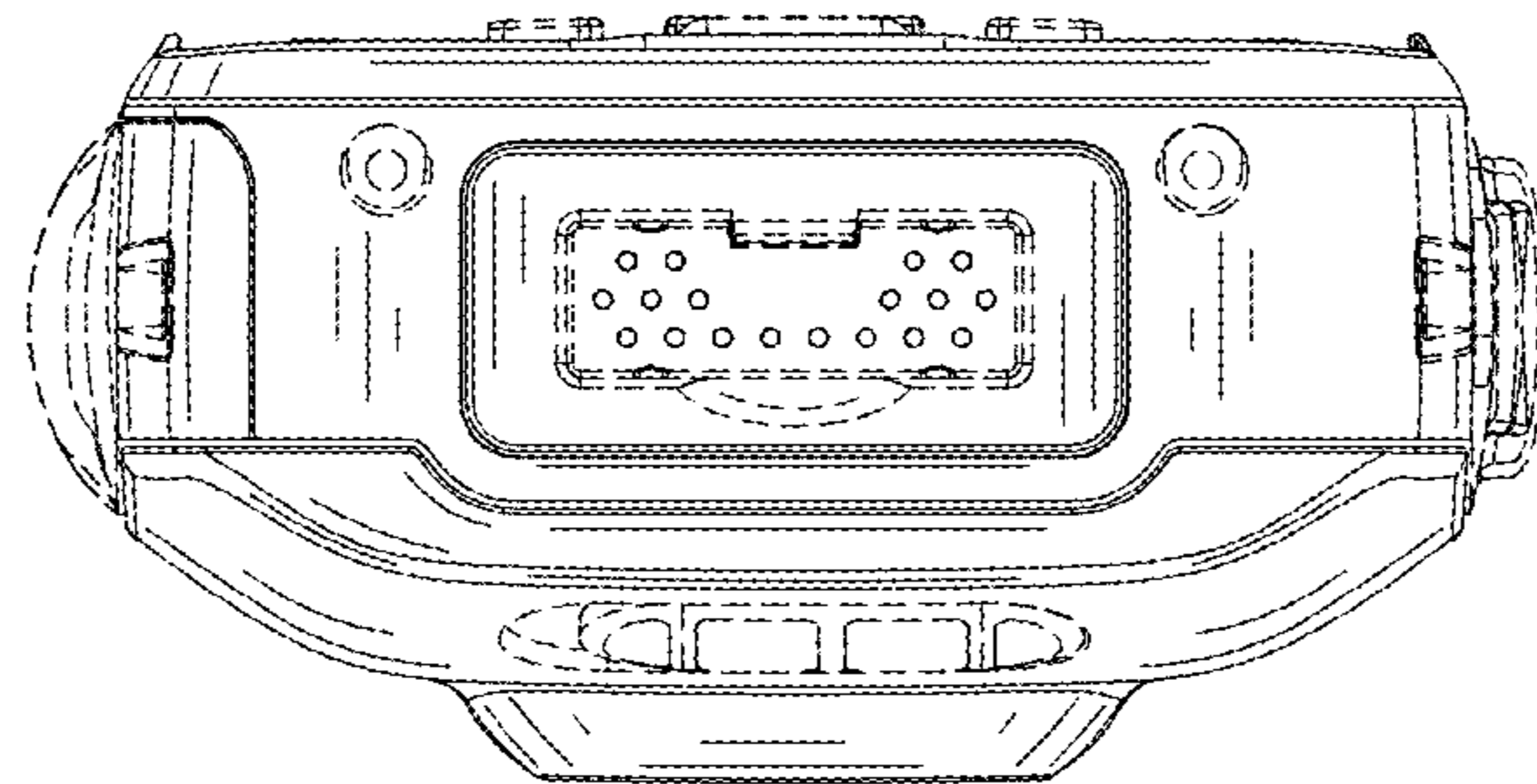


FIG. 8