



US00D929951S

(12) **United States Design Patent**
Oh et al.

(10) **Patent No.:** **US D929,951 S**
(45) **Date of Patent:** **** Sep. 7, 2021**

(54) **COOLING FAN FOR ELECTRONIC DEVICES**

(71) Applicant: **ABKO Co., Ltd.**, Seoul (KR)

(72) Inventors: **Kwang Geun Oh**, Paju-si (KR); **Tae Hwa Lee**, Goyang-si (KR)

(73) Assignee: **ABKO CO., Ltd.**, Seoul (KR)

(**) Term: **15 Years**

(21) Appl. No.: **35/506,564**

(22) Filed: **Aug. 13, 2018**

(80) **Hague Agreement Data**

Int. Filing Date: **Aug. 13, 2018**

Int. Reg. No.: **DM/200556**

Int. Reg. Date: **Aug. 13, 2018**

Int. Reg. Pub. Date: **Apr. 12, 2019**

(30) **Foreign Application Priority Data**

May 21, 2018 (KR) 30-2018-0023610

(51) **LOC (13) Cl.** **13-03**

(52) **U.S. Cl.**
USPC **D13/179**

(58) **Field of Classification Search**

USPC D13/179, 182; D23/411, 358, 370, 379,
D23/385, 412

CPC H01R 13/6335; H01L 23/3672; H01L
23/4093; H01L 23/467

See application file for complete search history.

(56) **References Cited**

U.S. PATENT DOCUMENTS

D492,654 S * 7/2004 Lei D13/179
D494,146 S * 8/2004 Lin D13/179
7,152,666 B2 * 12/2006 Chen H01L 23/467
165/80.3

7,198,464 B2 * 4/2007 Kuo H01L 23/467
257/E23.099
D560,622 S * 1/2008 Ishihara D13/179
D562,781 S * 2/2008 Teufel D13/179
D602,142 S * 10/2009 Nishizawa D13/179
D602,577 S * 10/2009 Miyazawa D13/179
7,639,497 B2 * 12/2009 Xu H01L 23/4093
165/185
D637,276 S * 5/2011 Miyabara D23/370
8,225,846 B2 * 7/2012 Lin H01L 23/3672
165/104.33
D667,537 S * 9/2012 Le D23/412
D672,449 S * 12/2012 Yeh D23/385
D684,679 S * 6/2013 Okada D23/370
D696,764 S * 12/2013 Sato D13/179

(Continued)

OTHER PUBLICATIONS

Office Action dated Nov. 15, 2018 by the Korean Intellectual Property Office (KIPO) concerning the corresponding KR Design Patent Application.

(Continued)

Primary Examiner — Rhea Shields

(74) *Attorney, Agent, or Firm* — Edward J. Baba;
Bozicevic, Field & Francis, LLP

(57) **CLAIM**

The ornamental design for a cooling fan for electronic devices, as shown and described.

DESCRIPTION

1.1 is a perspective view;

1.2 is a front view;

1.3 is a rear view;

1.4 is a side view;

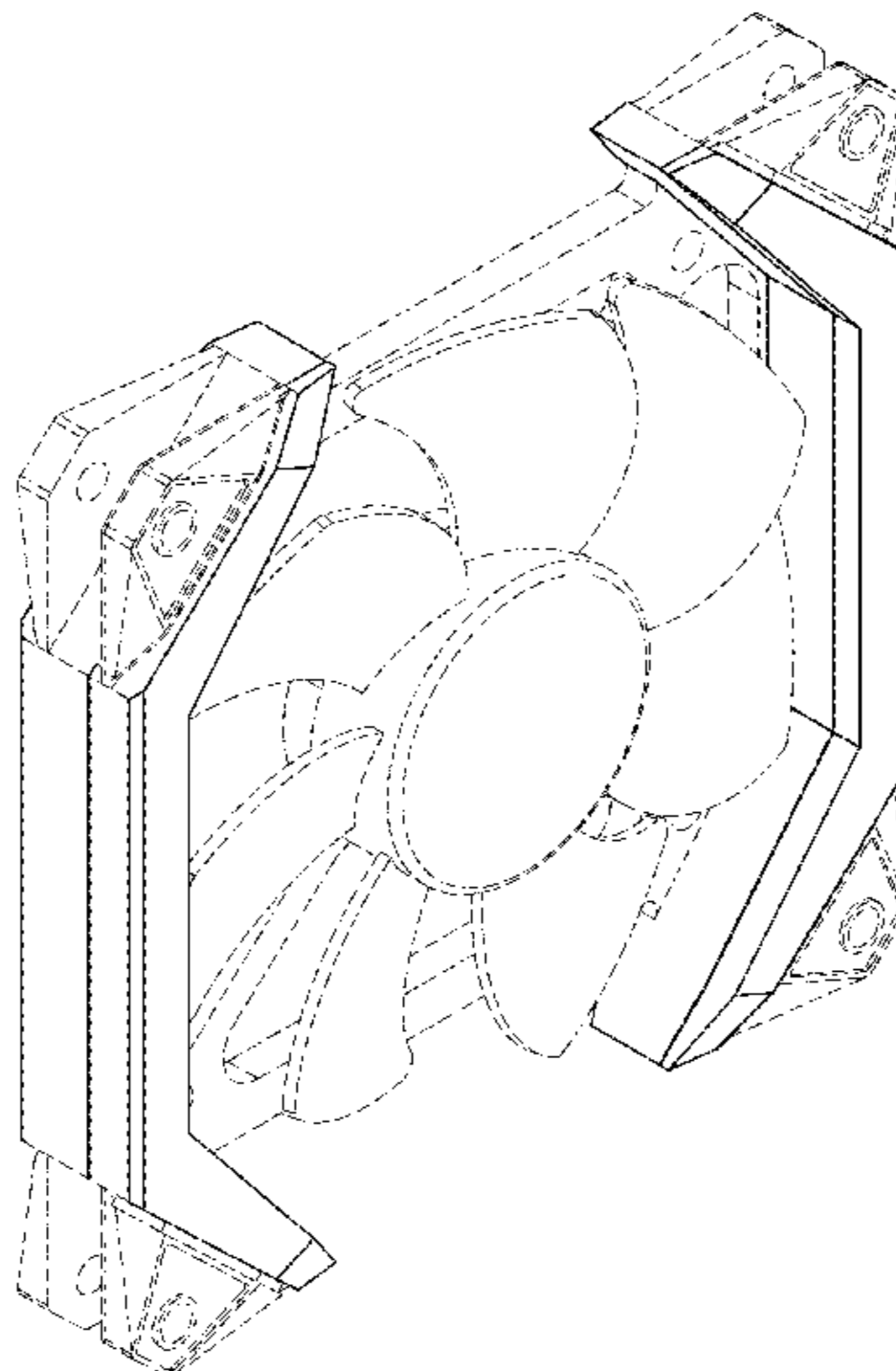
1.5 is a side view;

1.6 is a top plan; and

1.7 is a bottom plan view.

In the reproductions, the dash-dash broken lines are for the purpose of illustrating portions of the cooling fan for electronic devices and form no part of the claimed design.

1 Claim, 7 Drawing Sheets



(56)

References Cited

U.S. PATENT DOCUMENTS

D723,151 S *	2/2015	Xu	D23/370
D732,655 S *	6/2015	Ueno	D13/179
D780,901 S *	3/2017	Huang	D23/370
D806,225 S *	12/2017	Chang	D23/379
D806,659 S *	1/2018	Parekh	D13/182
D813,369 S *	3/2018	Chiu	D23/370
D821,555 S *	6/2018	Seo	D23/358
D859,256 S *	9/2019	Rosario	D12/203
D872,255 S *	1/2020	Shiu	D23/411

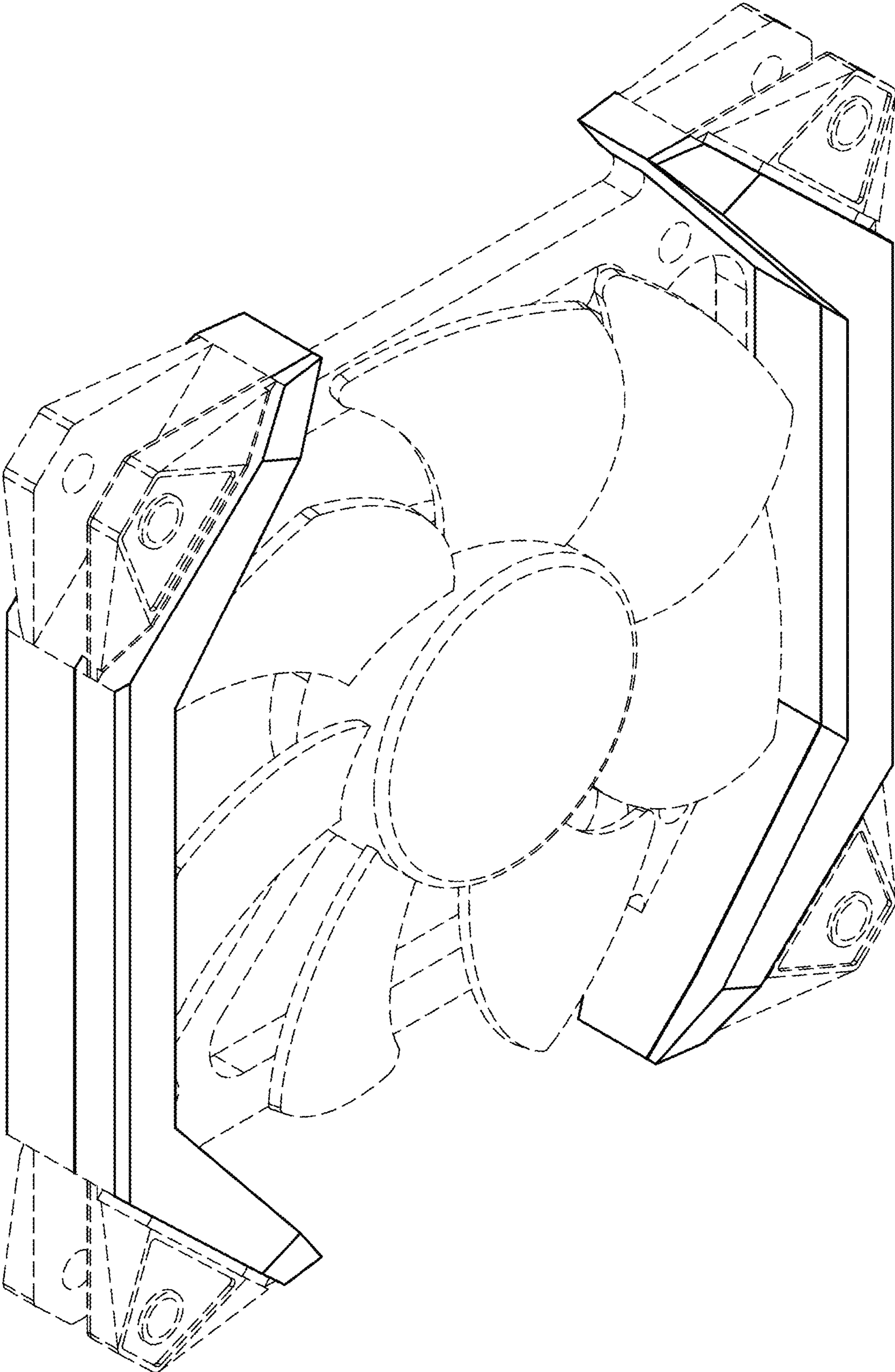
OTHER PUBLICATIONS

Formality Examination Report dated Oct. 29, 2018 by the Philippines Patent Office (IPOPHE) concerning the corresponding PH Design Patent Application.

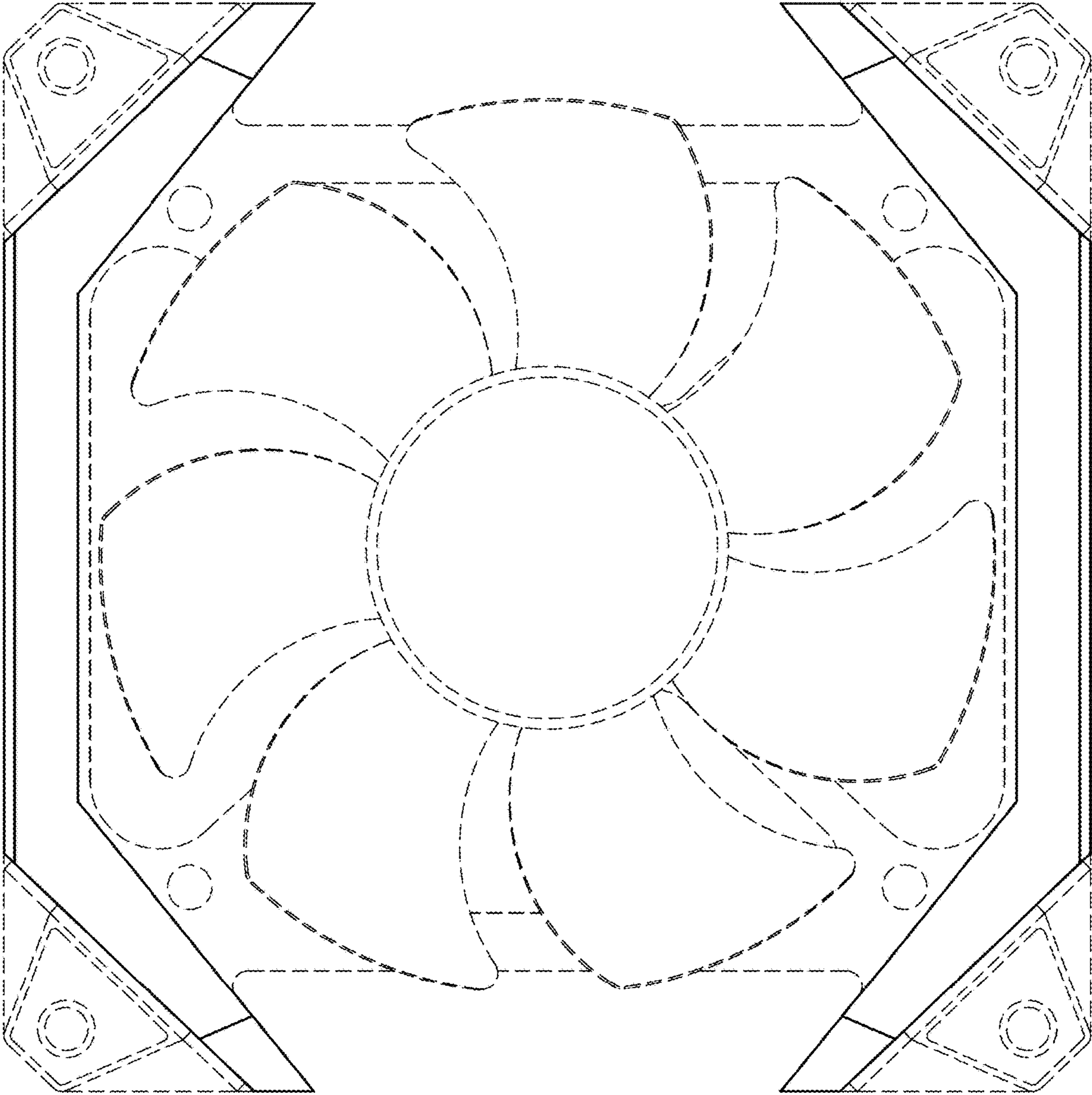
Office Action dated Oct. 9, 2018 by the Thailand Patent Office (TPO) concerning the corresponding TH Design Patent Application.

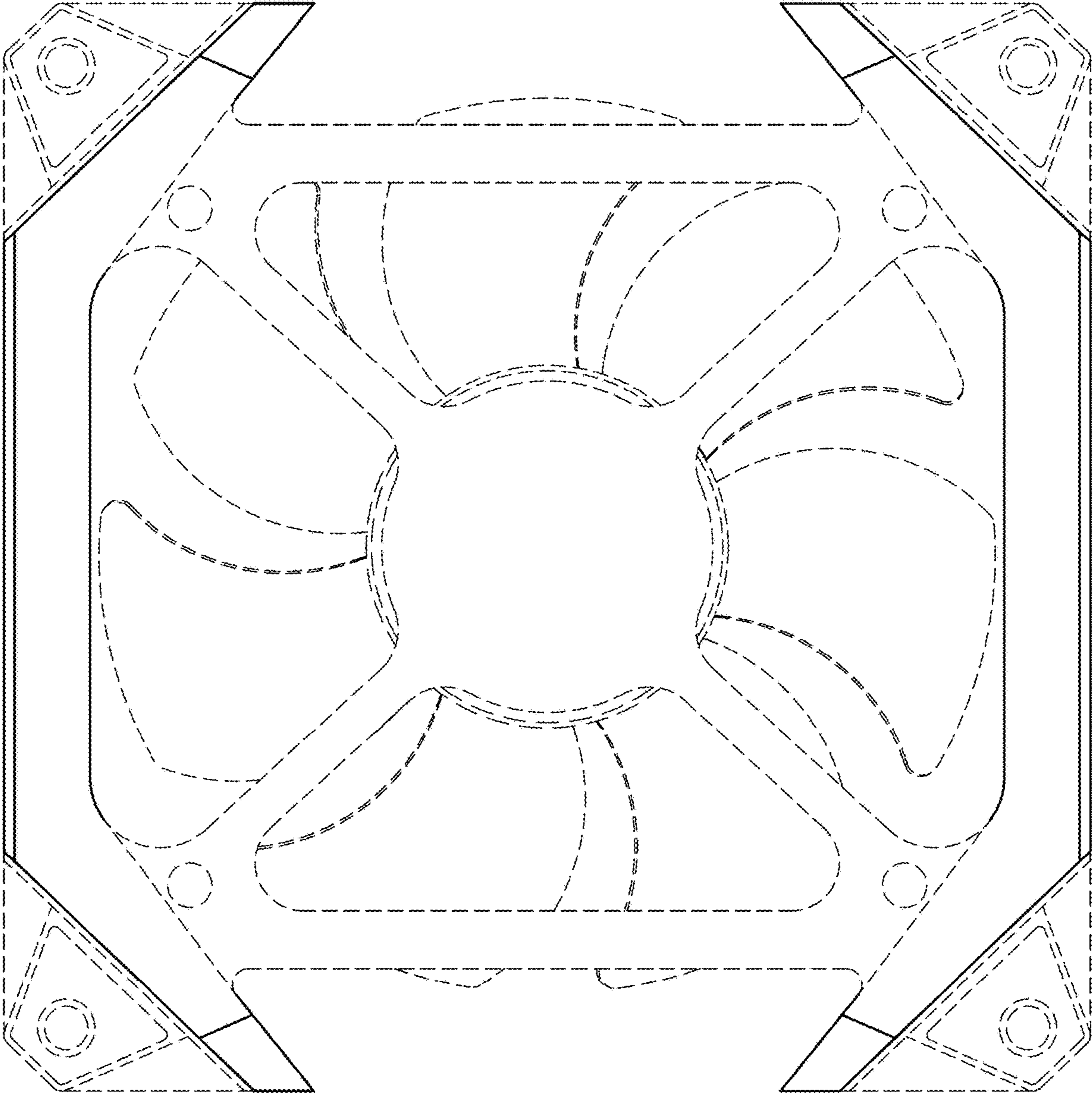
Office Action dated Sep. 21, 2018 by the Vietnam Patent Office (NOIP) concerning the corresponding VN Design Patent Application.

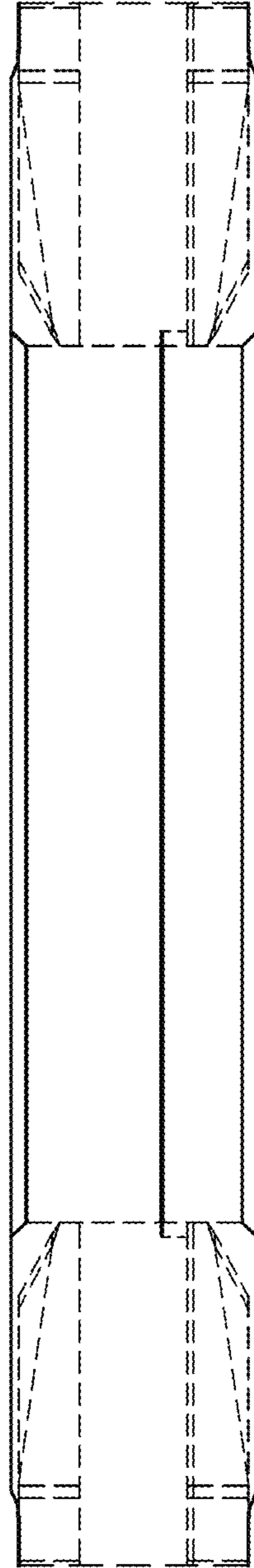
* cited by examiner



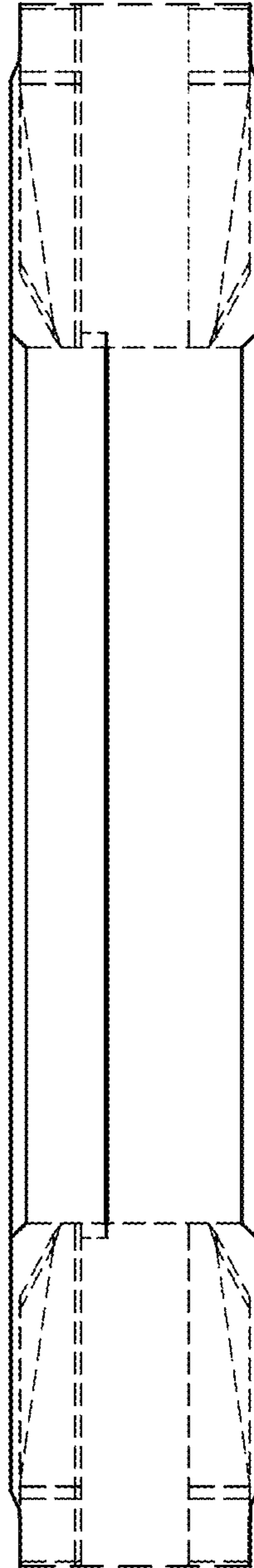
1.1



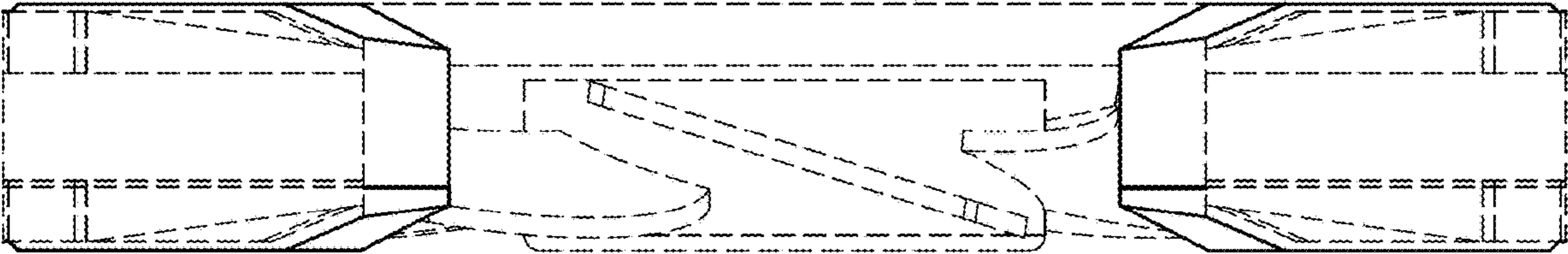


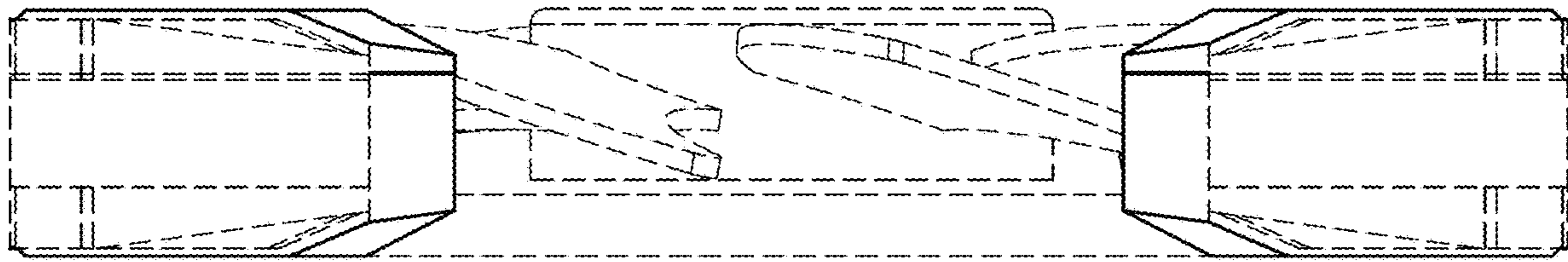


1.4



1.5





1.7

UNITED STATES PATENT AND TRADEMARK OFFICE
CERTIFICATE OF CORRECTION

PATENT NO. : D929,951 S
APPLICATION NO. : 35/506564
DATED : September 7, 2021
INVENTOR(S) : Kwang Geun Oh et al.

Page 1 of 1

It is certified that error appears in the above-identified patent and that said Letters Patent is hereby corrected as shown below:

On the Title Page

Item (57) under the DESCRIPTION on Line 3, insert the following paragraph:

--The Cooling Fan For Electronic Devices according to the claimed design is made of synthetic resin materials and metal materials; the claimed design is used for air circulation inside electronic products such as a computer main body; the claimed design is used to lower the inside temperature of electronic products, through circulation to supply cool air from outside the electronic products into the electronic products and to discharge the hot air from inside the electronic products to the outside.--

Signed and Sealed this
First Day of February, 2022



Drew Hirshfeld
*Performing the Functions and Duties of the
Under Secretary of Commerce for Intellectual Property and
Director of the United States Patent and Trademark Office*