



US00D929945S

(12) **United States Design Patent**
Martin et al.

(10) **Patent No.:** **US D929,945 S**

(45) **Date of Patent:** **** Sep. 7, 2021**

(54) **COUPLING**

(71) Applicant: **Colder Products Company**, St. Paul, MN (US)

(72) Inventors: **Jeffrey Jonathan Martin**, Robbinsdale, MN (US); **Erik Anthony Menne Weigel**, Vadnais Heights, MN (US)

(73) Assignee: **Colder Products Company**, Roseville, MN (US)

(**) Term: **15 Years**

(21) Appl. No.: **29/726,588**

(22) Filed: **Mar. 4, 2020**

(51) **LOC (13) Cl.** **13-03**

(52) **U.S. Cl.**
USPC **D13/147**

(58) **Field of Classification Search**
USPC D13/101, 103, 107, 108, 110, 118, 119, D13/120, 133, 137.1, 138.1, 138.2, 146, D13/147, 151, 184, 199
CPC H01R 13/52; H01R 13/56; H01R 13/405; H01R 13/5202; H01R 13/5227; H01R 13/6272; H02J 7/00; H02J 7/0045; H02J 7/0052; Y02T 90/14; Y02T 10/7072; B60L 11/182; B60L 11/1818

See application file for complete search history.

(56) **References Cited**

U.S. PATENT DOCUMENTS

5,007,862 A * 4/1991 Defibaugh H01R 13/64 439/564
D466,083 S * 11/2002 Zhang D13/147

D524,741 S * 7/2006 Bihrer D13/146
D601,964 S * 10/2009 Rupp D13/147
D602,433 S * 10/2009 Katou D13/120
D676,388 S * 2/2013 Muller D13/147
D694,188 S * 11/2013 Ferguson D13/133
D743,893 S * 11/2015 Kuribayashi D13/146
9,793,642 B2 * 10/2017 Natter B60L 53/18
10,290,969 B2 * 5/2019 Zhu H01R 13/5213
D861,607 S * 10/2019 Matthews D13/120
2012/0238131 A1 * 9/2012 Osawa H01R 43/20 439/476.1
2016/0020547 A1 * 1/2016 Khadkikar F04B 53/16 439/587

* cited by examiner

Primary Examiner — Derrick E Holland

(74) *Attorney, Agent, or Firm* — Fish & Richardson P.C.

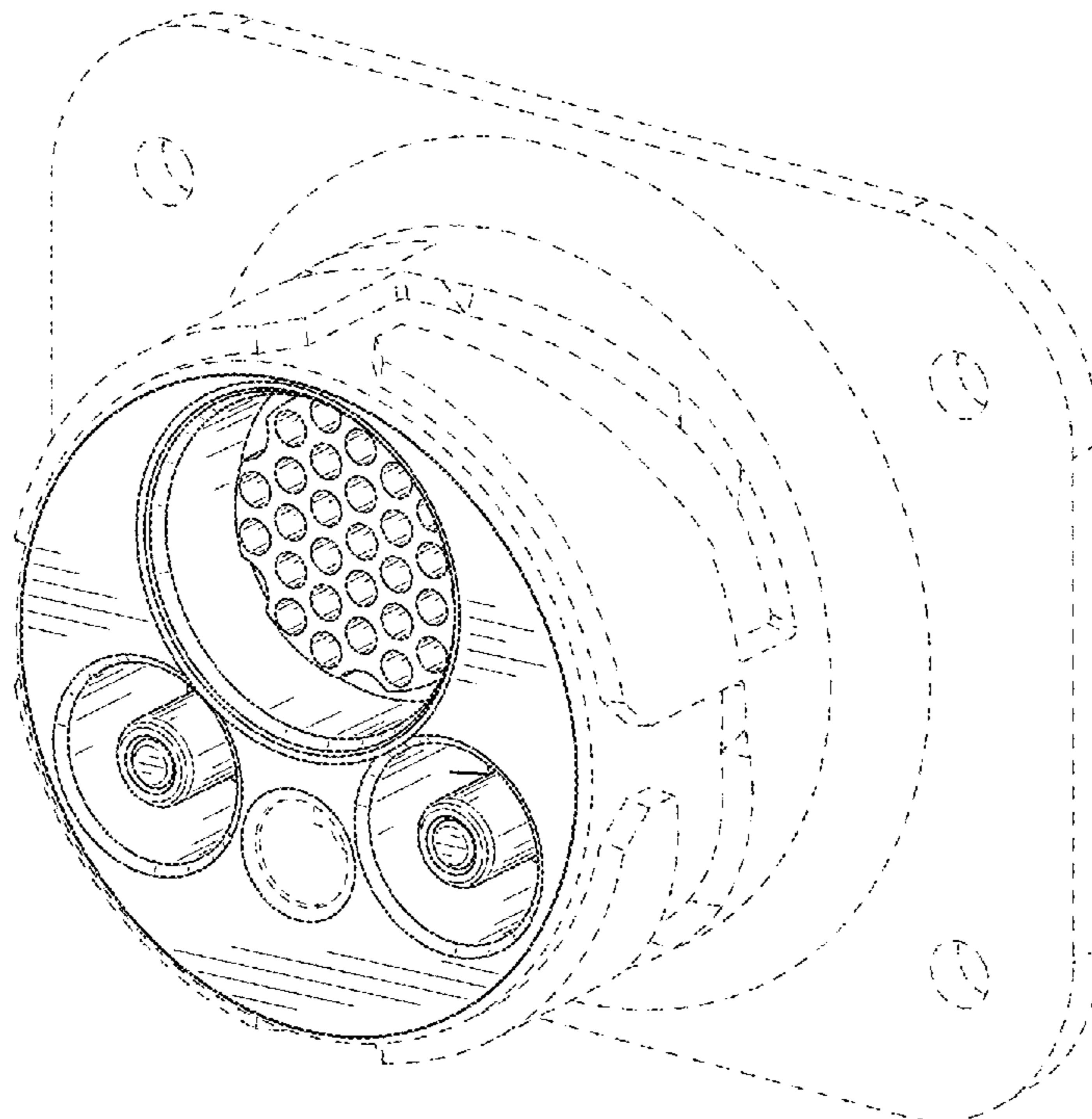
(57) **CLAIM**

The ornamental design for a coupling, substantially as shown and described.

DESCRIPTION

FIG. 1 is a perspective view of a coupling.
FIG. 2 is a front view of the coupling of FIG. 1.
FIG. 3 is a back view of the coupling of FIG. 1.
FIG. 4 is a right side view of the coupling of FIG. 1.
FIG. 5 is a left side view of the coupling of FIG. 1.
FIG. 6 is a top view of the coupling of FIG. 1; and,
FIG. 7 is a bottom view of the coupling of FIG. 1.
The broken lines shown illustrate the portions of the coupling that form no part of the claimed design.

1 Claim, 4 Drawing Sheets



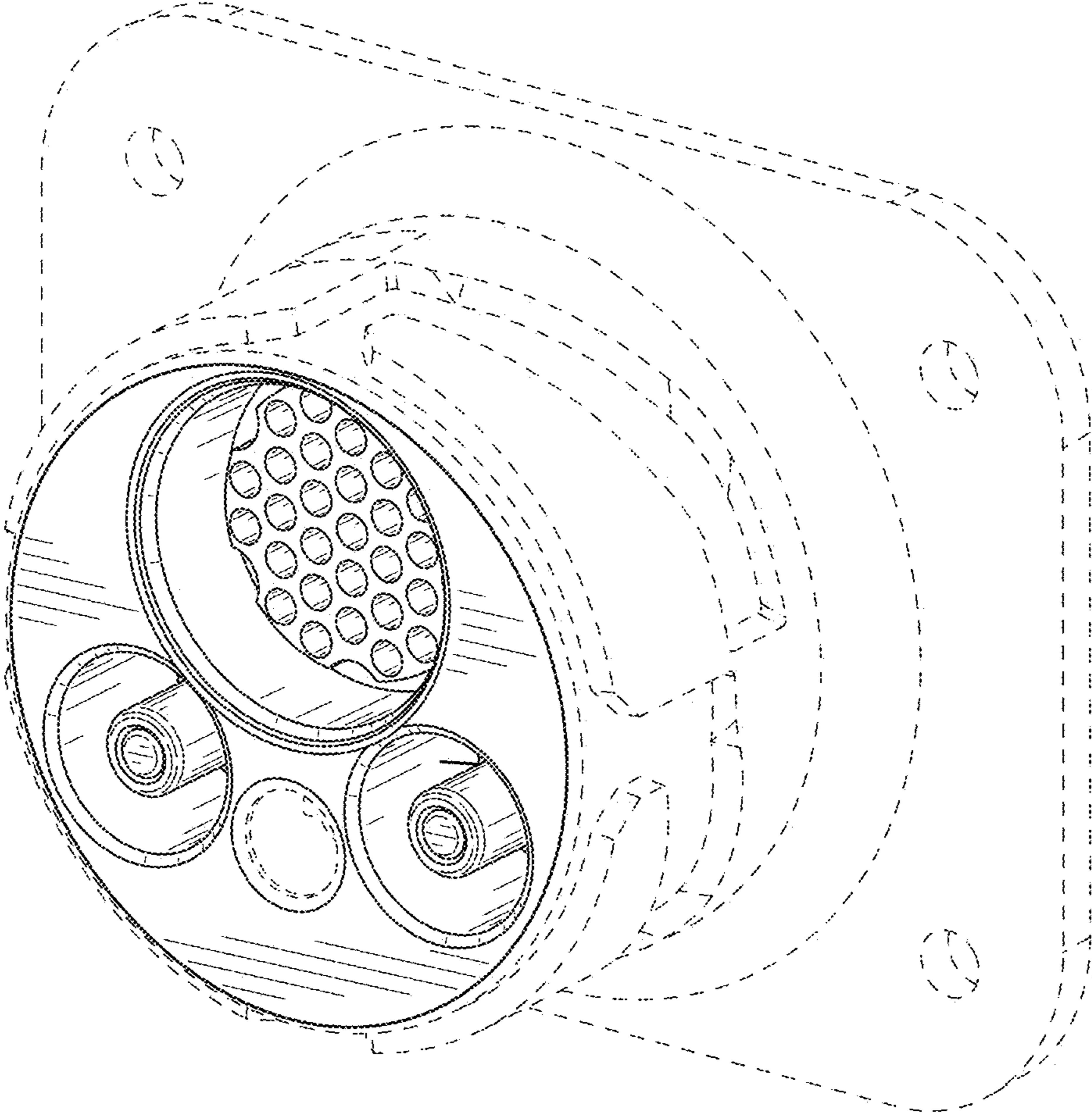


FIG. 1

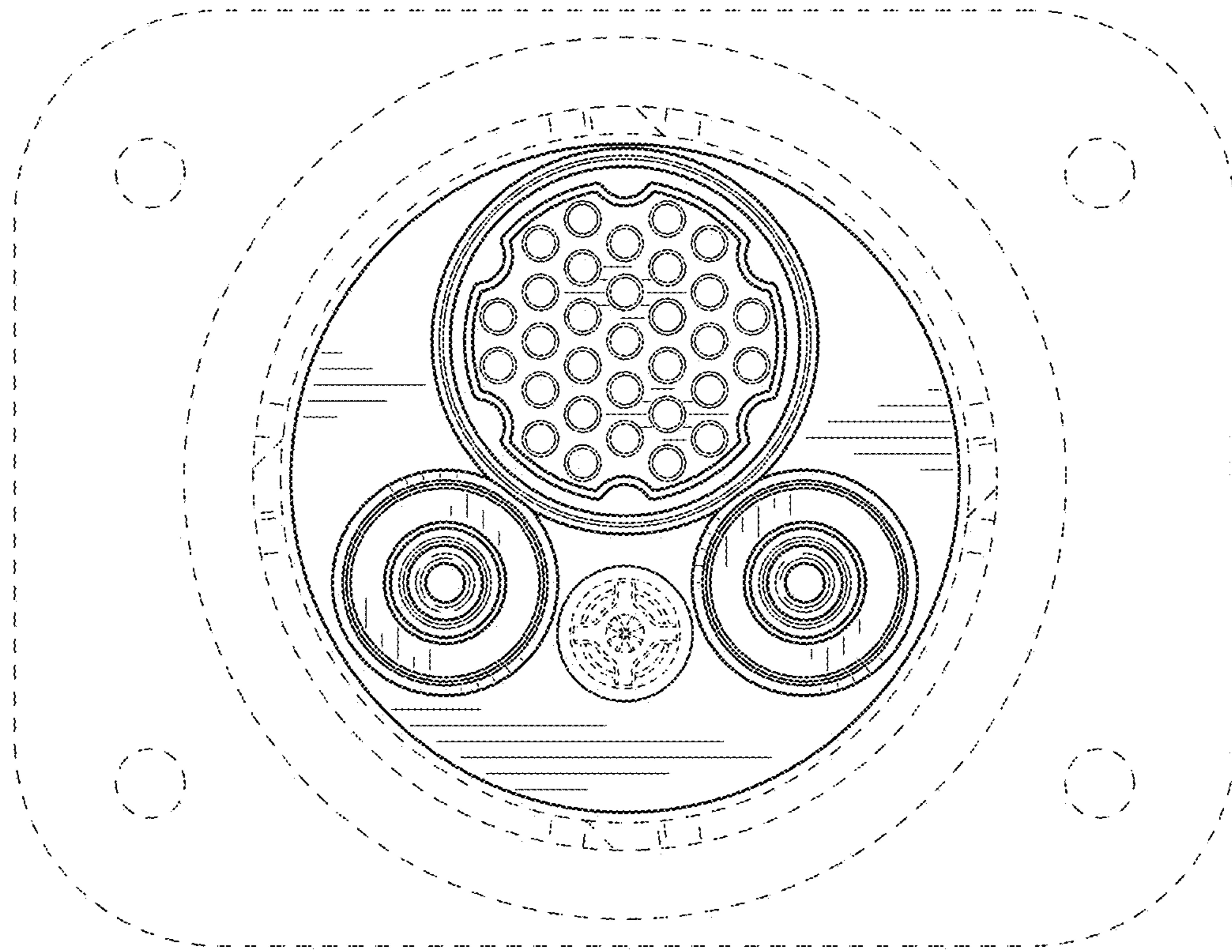


FIG. 2

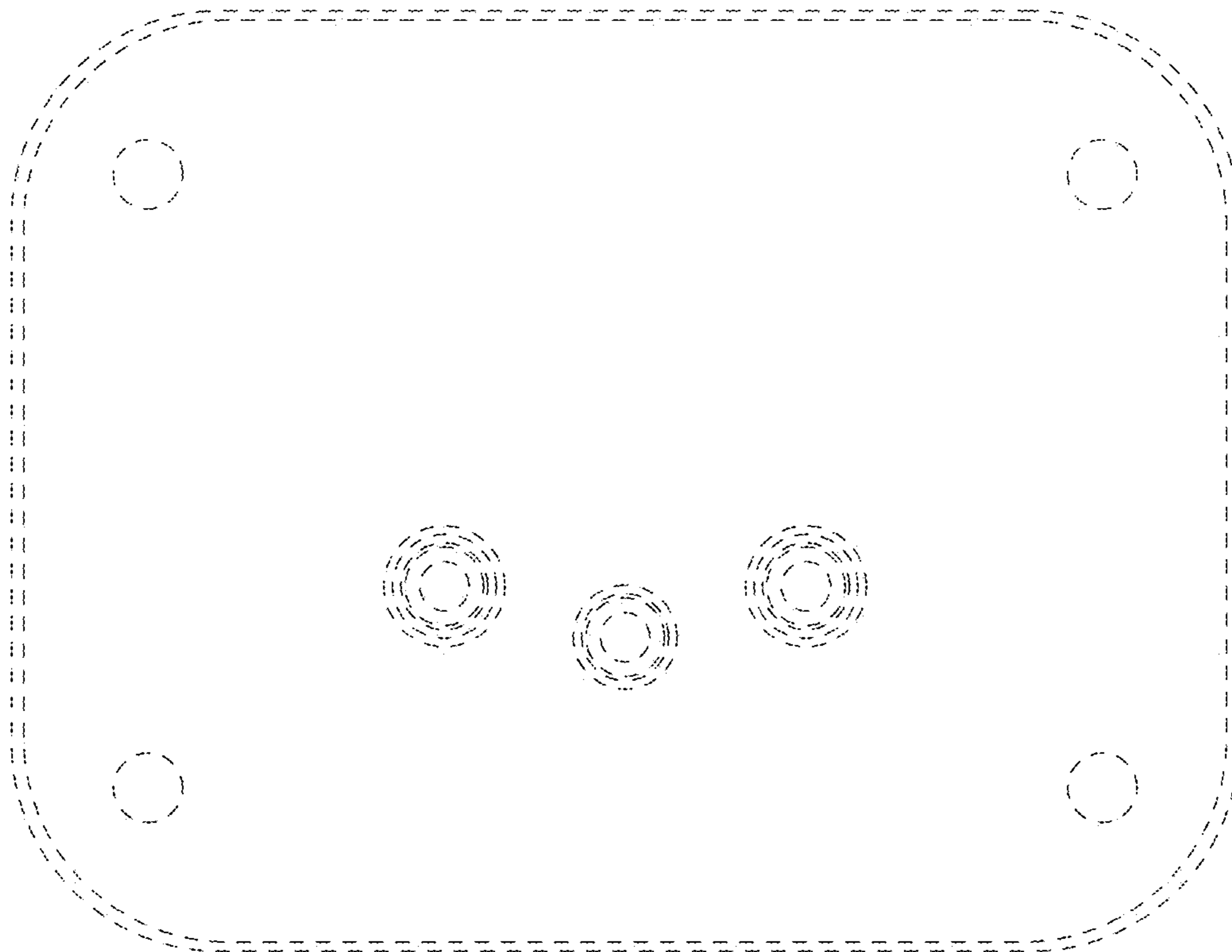


FIG. 3

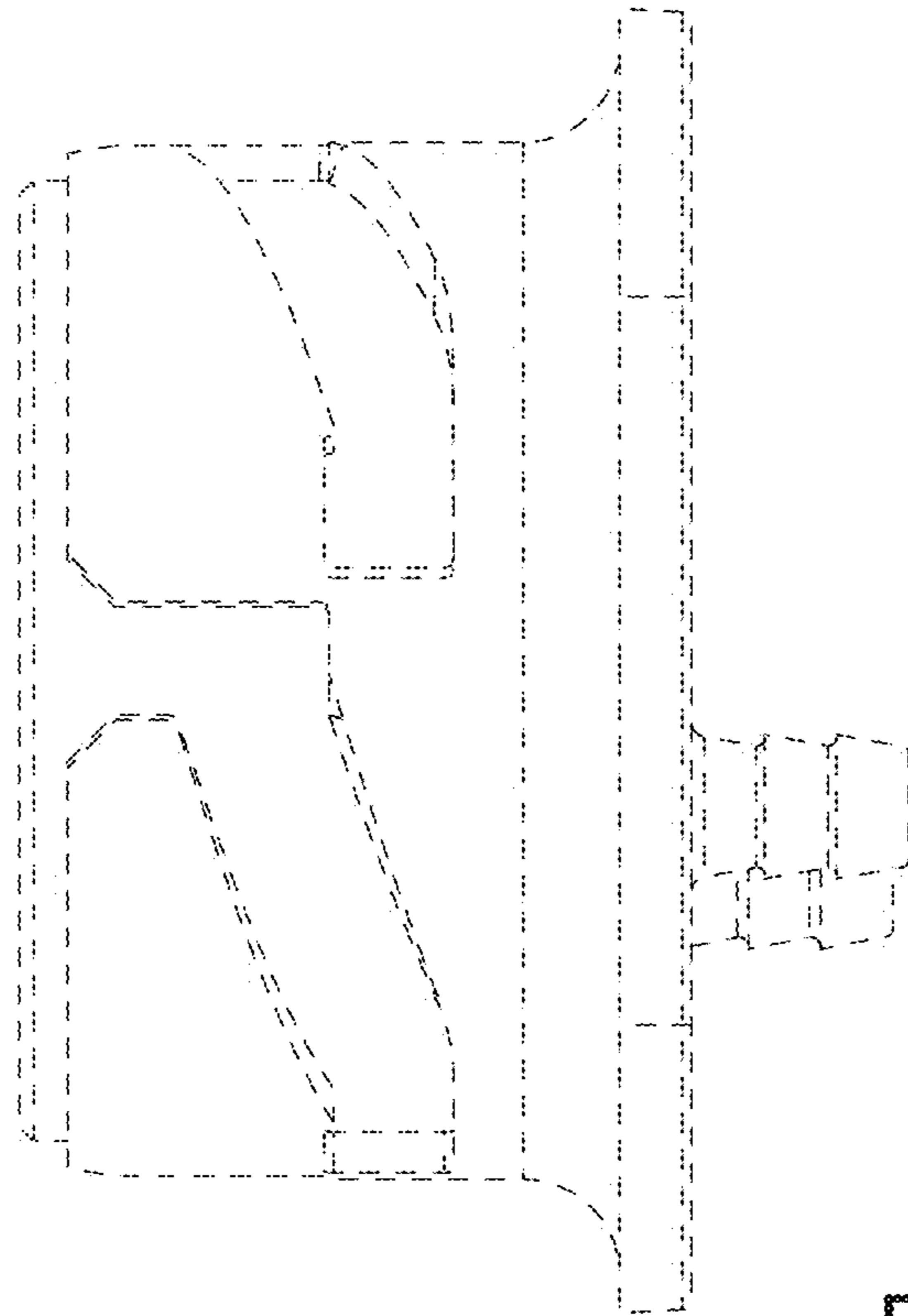


FIG. 4

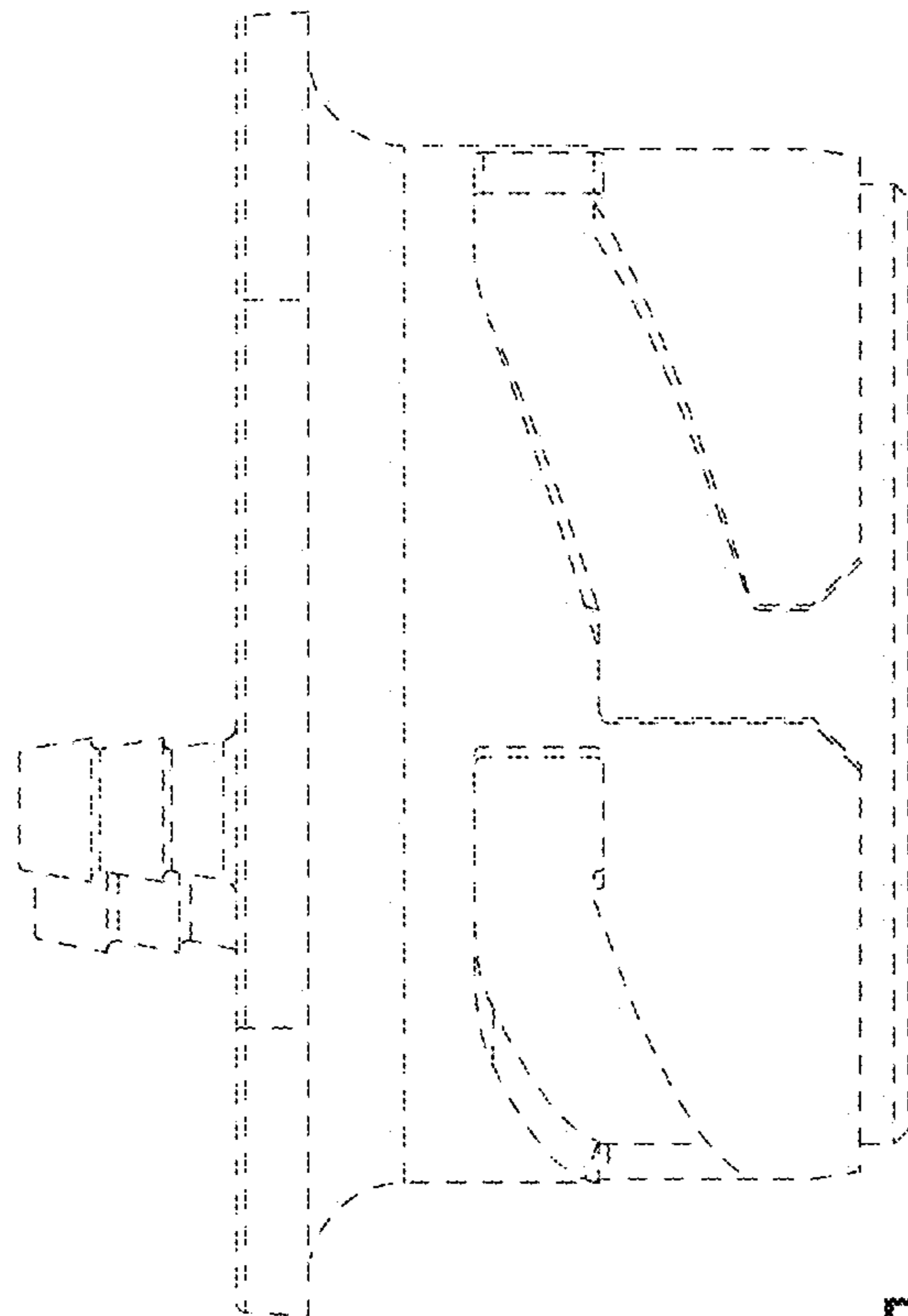


FIG. 5

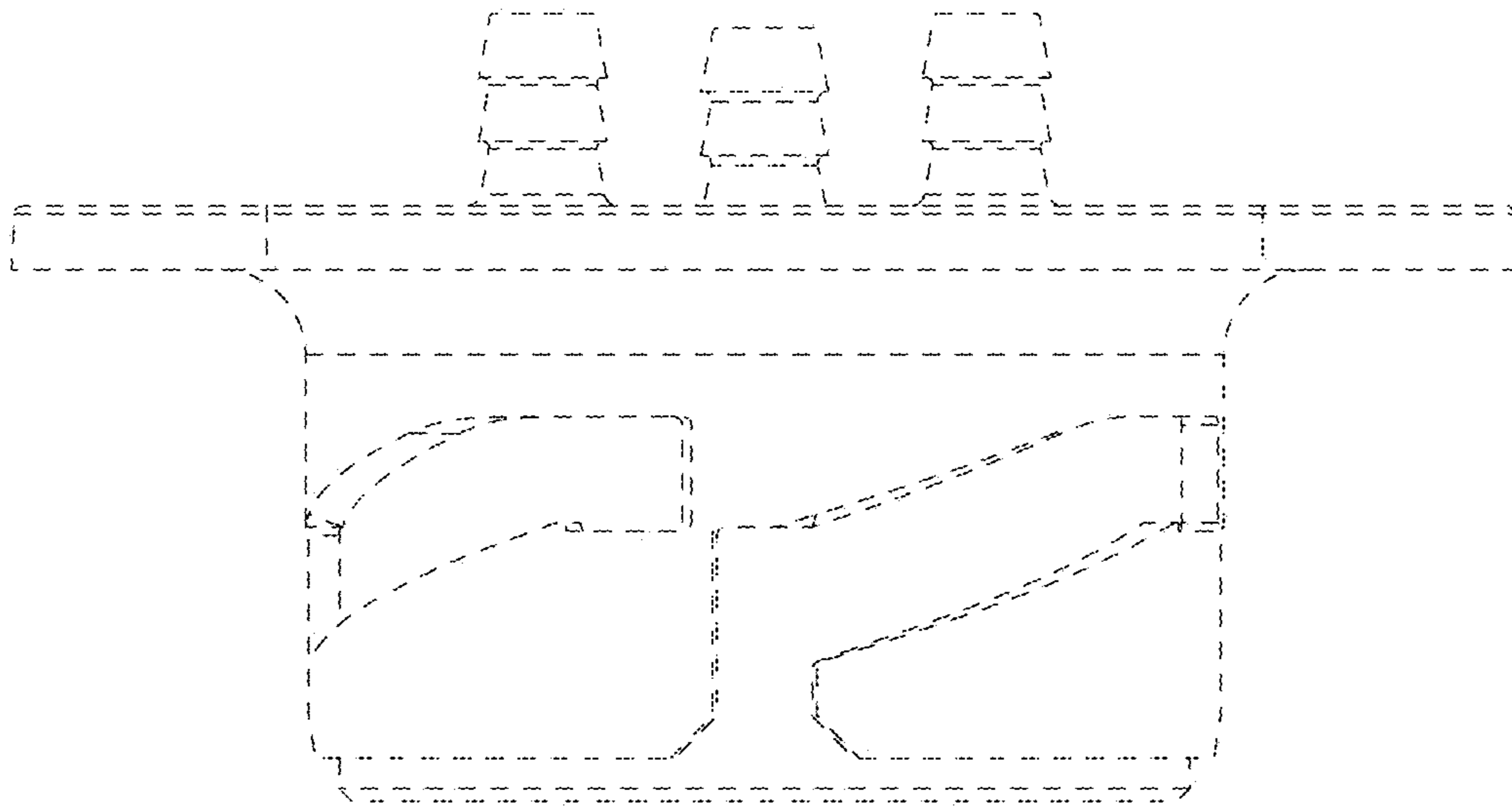


FIG. 6

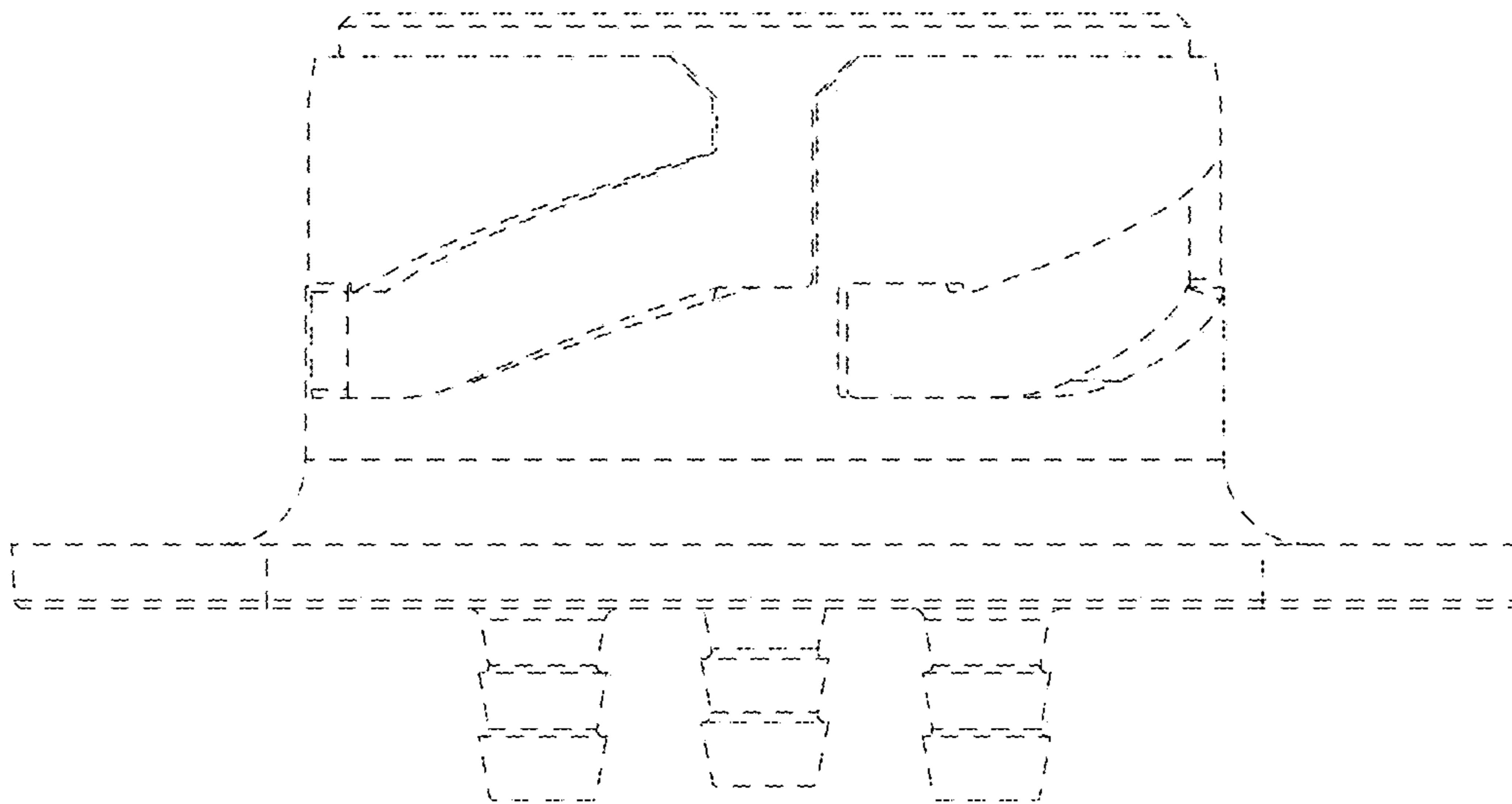


FIG. 7