



US00D929942S

(12) **United States Design Patent**  
**Lin**

(10) **Patent No.:** **US D929,942 S**

(45) **Date of Patent:** **\*\* \*Sep. 7, 2021**

- (54) **MULTI-DIRECTION SOCKET**
- (71) Applicant: **Chia-Hua Lin**, New Taipei (TW)
- (72) Inventor: **Chia-Hua Lin**, New Taipei (TW)
- (\*) Notice: This patent is subject to a terminal disclaimer.
- (\*\*) Term: **15 Years**

|                   |        |          |                        |
|-------------------|--------|----------|------------------------|
| D614,134 S        | 4/2010 | Chen     |                        |
| 7,862,385 B2 *    | 1/2011 | Lee      | H01R 13/70<br>439/652  |
| D653,215 S *      | 1/2012 | Lam      | D13/139.8              |
| D736,710 S *      | 8/2015 | Lin      | D13/137.2              |
| D775,589 S *      | 1/2017 | Softer   | D13/139.1              |
| D789,891 S *      | 6/2017 | Eshelman | D13/137.2              |
| D790,459 S *      | 6/2017 | Eshelman | D13/110                |
| D796,442 S *      | 9/2017 | Xu       | D13/139.6              |
| D872,697 S *      | 1/2020 | Yu       | D13/137.4              |
| 2011/0097923 A1 * | 4/2011 | Lee      | H01R 25/003<br>439/369 |

- (21) Appl. No.: **29/697,093**
- (22) Filed: **Jul. 3, 2019**
- (51) **LOC (13) Cl.** ..... **13-02**
- (52) **U.S. Cl.**  
USPC ..... **D13/137.2**
- (58) **Field of Classification Search**  
USPC ..... D13/103, 107, 108, 113, 118, 123, 133,  
D13/137.1-137.4, 138.1, 138.2,  
D13/139.1-139.7, 153, 154, 155;  
D14/433, 434  
CPC ..... H01R 25/006; H01R 25/165; H01R 9/00;  
H01R 9/22; H01R 9/226; H01R 13/00;  
H01R 13/03; H01R 13/04; H01R 13/10;  
H01R 13/35; H01R 13/502; H01R  
13/631; H01R 13/6666; H01R 13/6675;  
H05K 5/00; H05K 5/03  
See application file for complete search history.

\* cited by examiner

*Primary Examiner* — Sheryl Lane  
*Assistant Examiner* — Calvin E Vansant  
 (74) *Attorney, Agent, or Firm* — Chun-Ming Shih;  
 Lanway IPR Services

(56) **References Cited**

**U.S. PATENT DOCUMENTS**

|              |         |       |           |
|--------------|---------|-------|-----------|
| D469,064 S * | 1/2003  | Nieto | D13/137.2 |
| D498,410 S * | 11/2004 | Ham   | D8/358    |
| D562,240 S * | 2/2008  | Lee   | D13/137.2 |

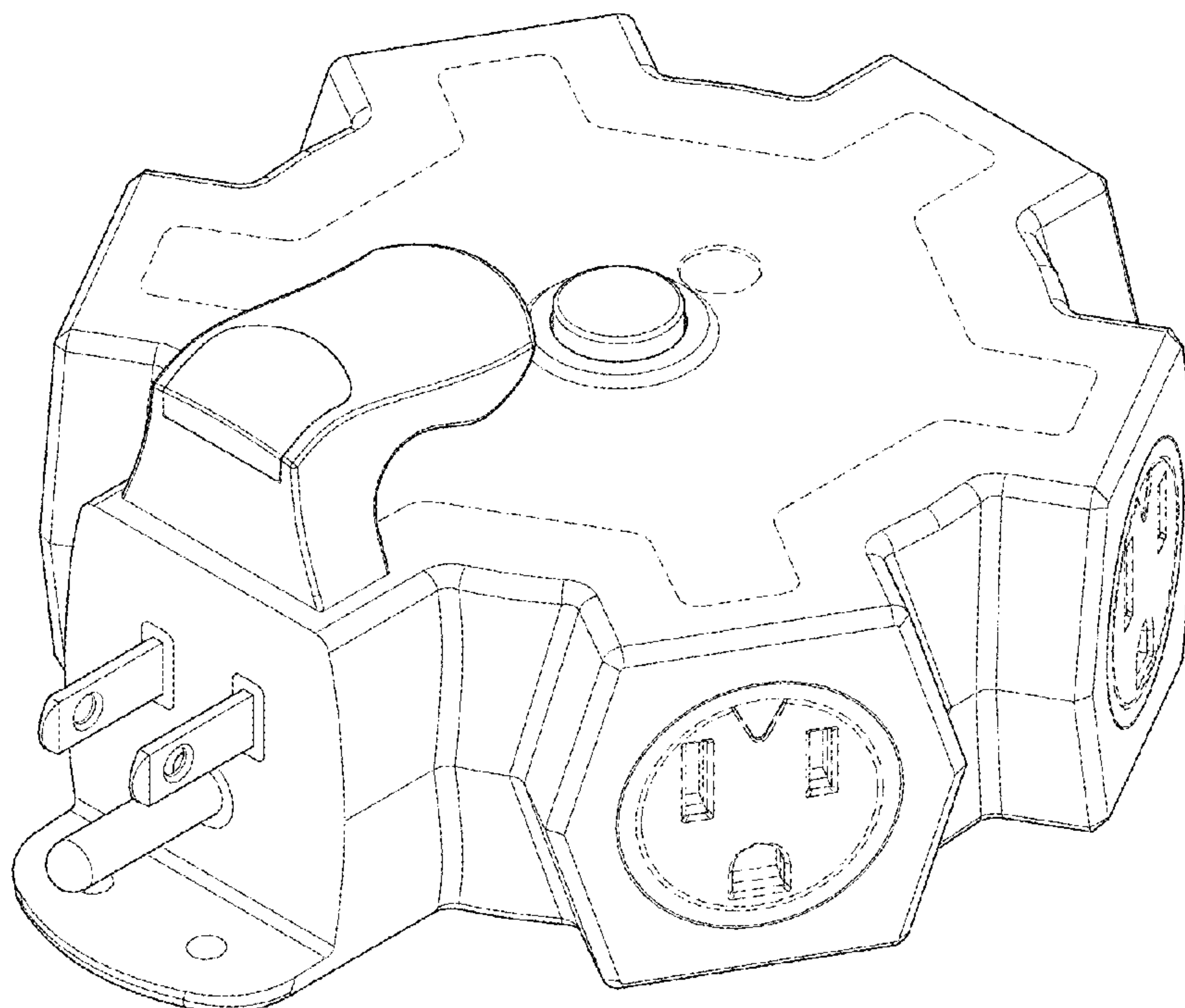
(57) **CLAIM**

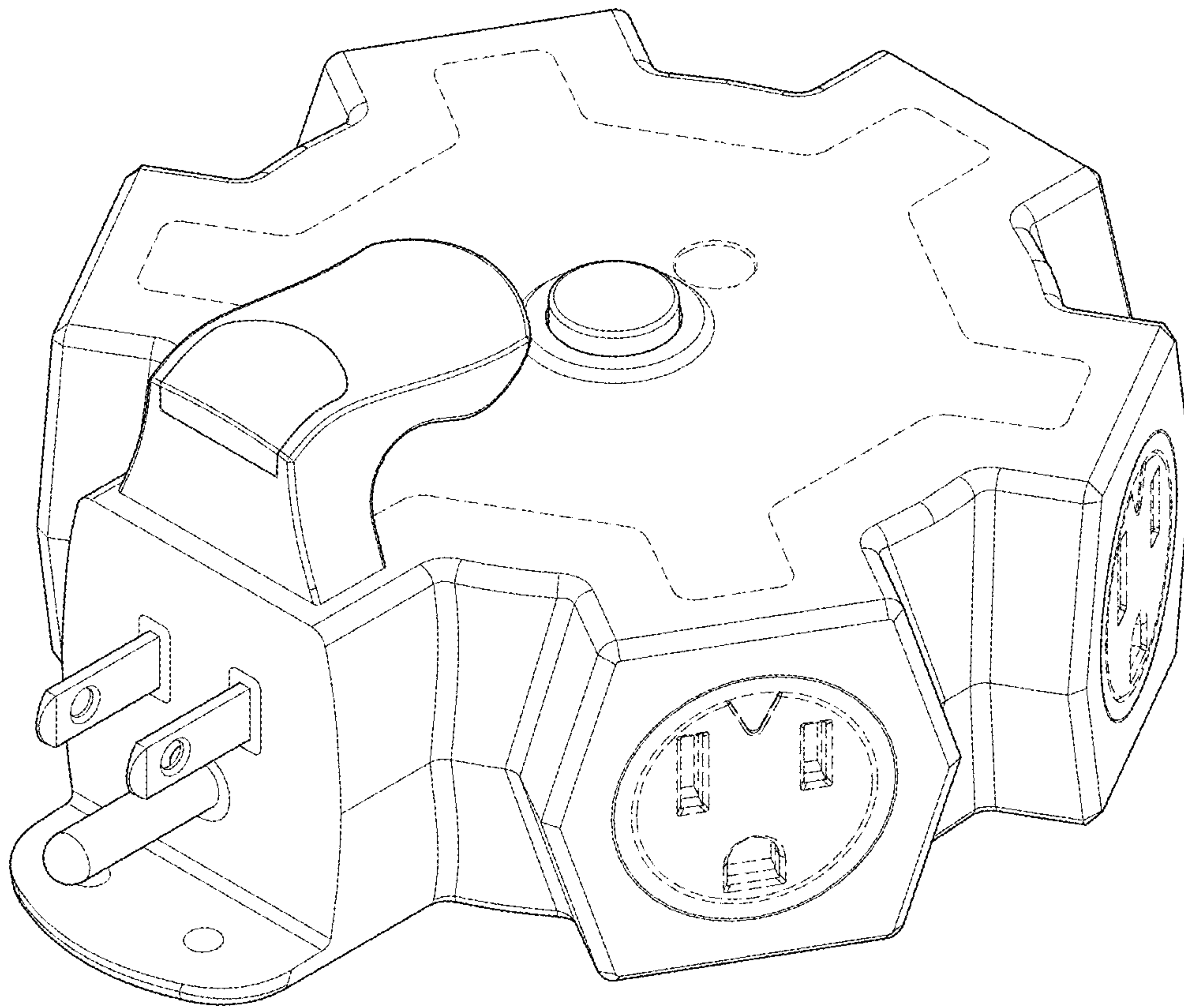
The ornamental design for a multi-direction socket, as shown and described.

**DESCRIPTION**

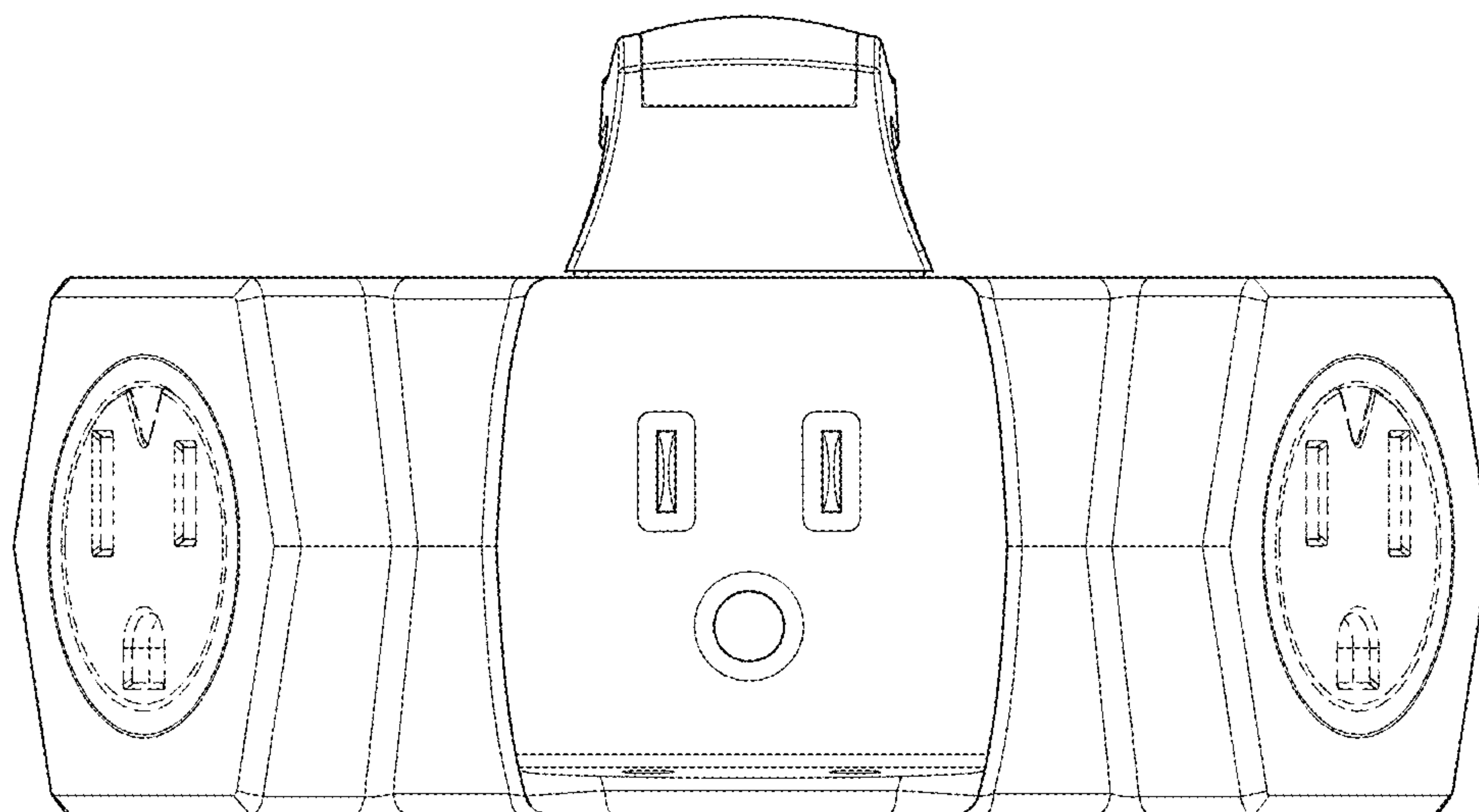
FIG. 1 is a front right perspective view of the multi-direction socket showing my new design;  
 FIG. 2 is a front elevation view thereof;  
 FIG. 3 is a rear elevation view thereof;  
 FIG. 4 is a left side elevation view thereof;  
 FIG. 5 is a right side elevation view thereof;  
 FIG. 6 is a top plan view thereof; and,  
 FIG. 7 is a bottom plan view thereof.  
 The broken lines represent the portions of the design that form no part of the claim.

**1 Claim, 5 Drawing Sheets**

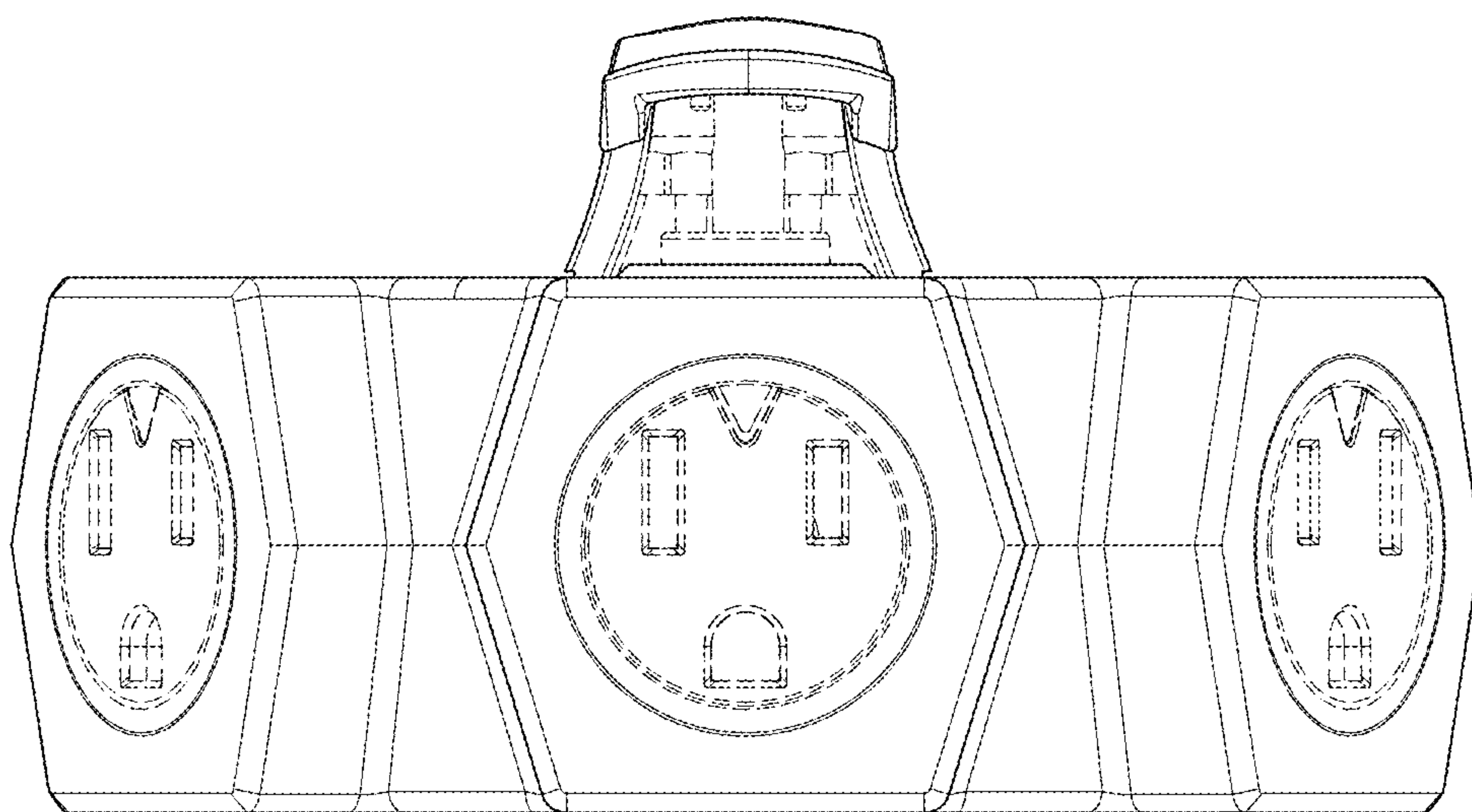




*FIG. 1*

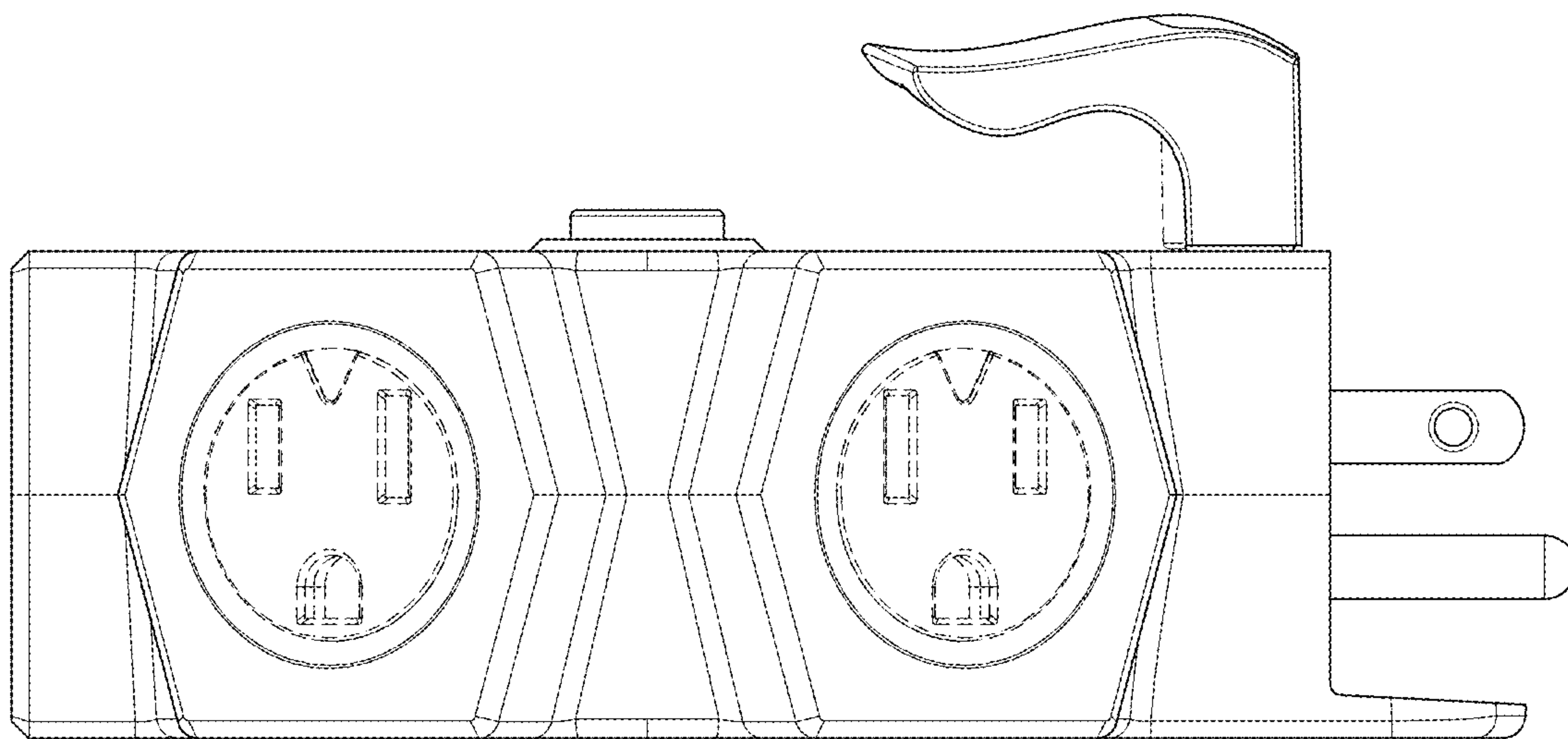


*FIG. 2*

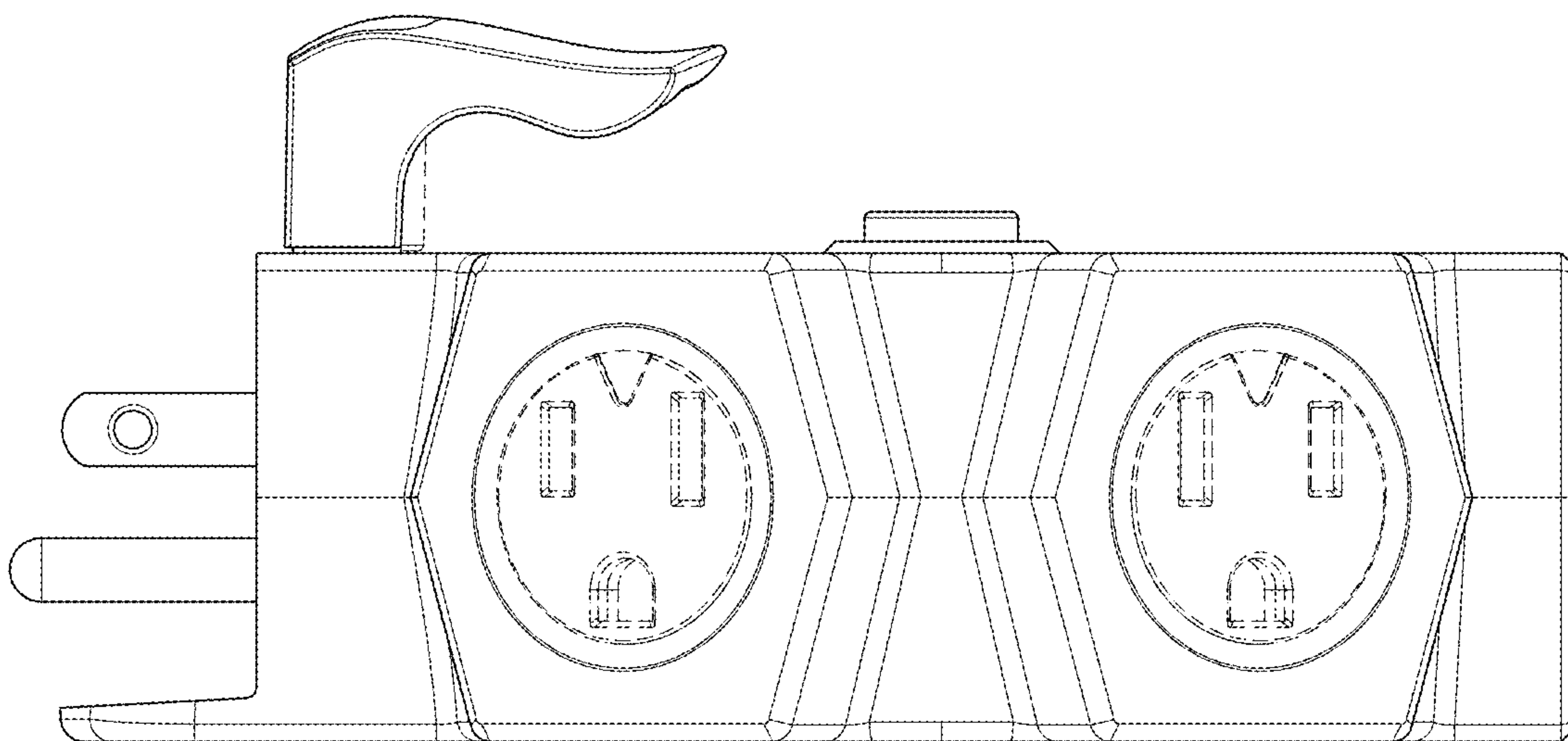


*FIG. 3*

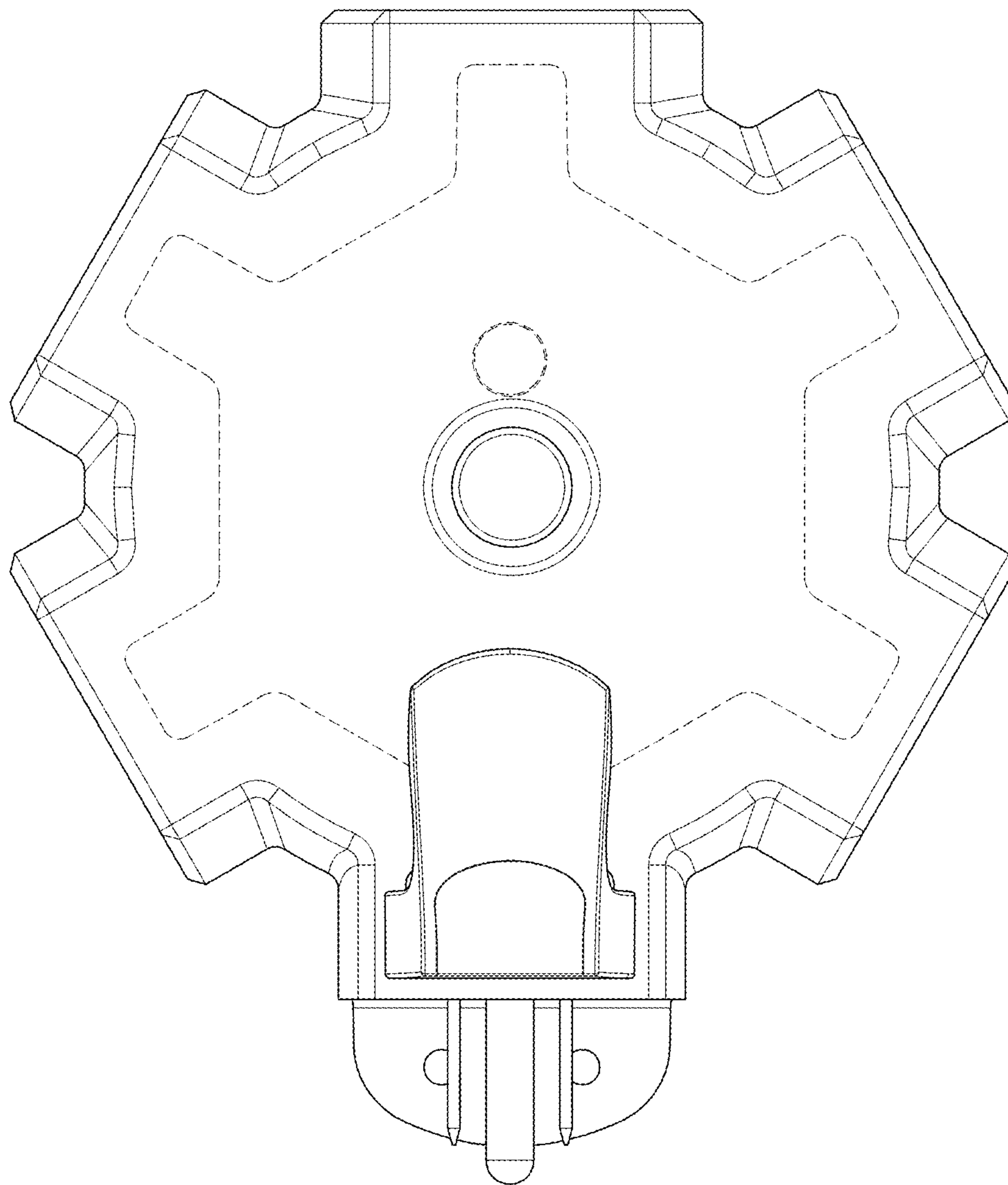




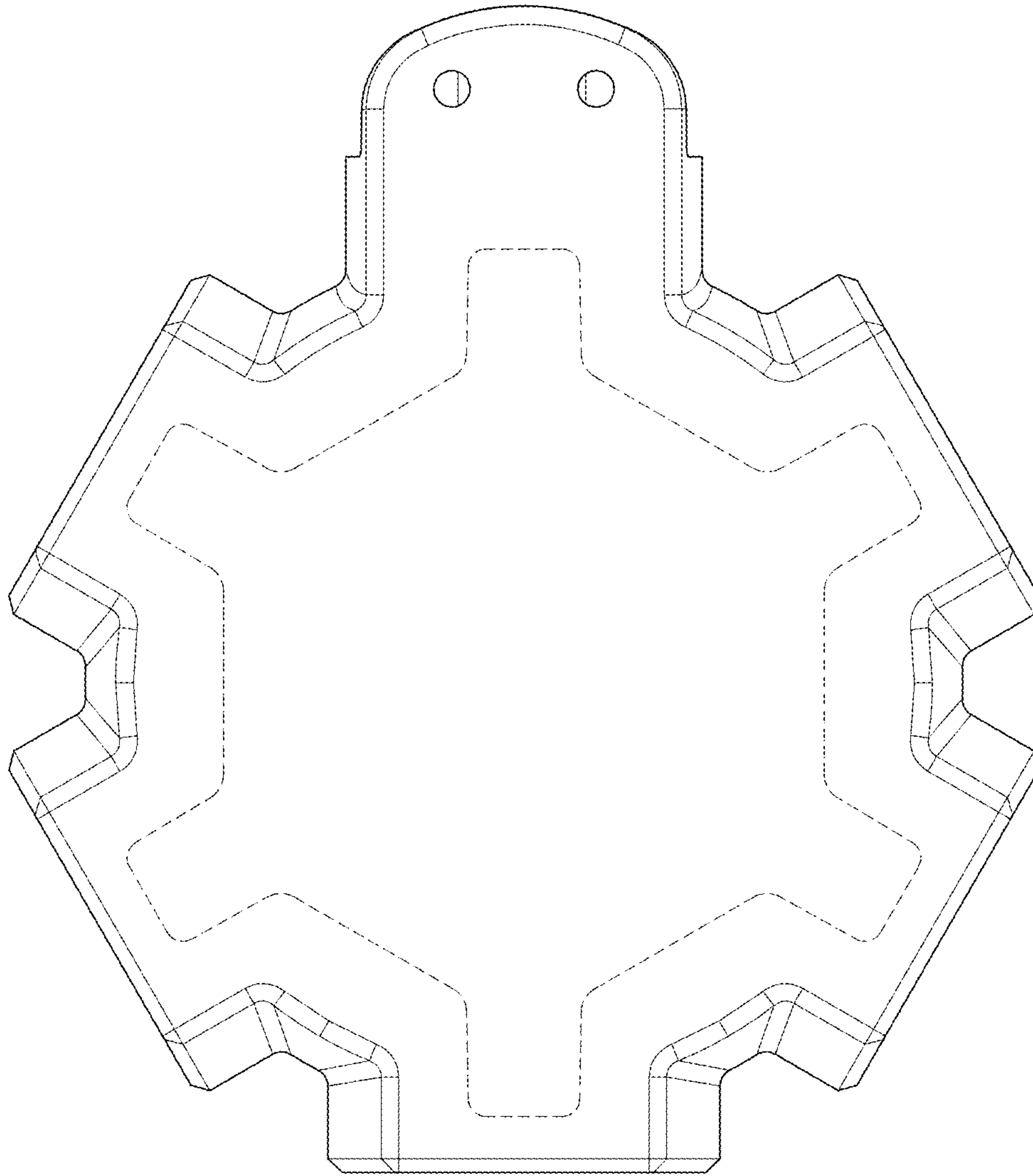
*FIG. 4*



*FIG. 5*



*FIG. 6*



*FIG. 7*