



US00D929941S

(12) **United States Design Patent**
Cho et al.

(10) **Patent No.:** **US D929,941 S**

(45) **Date of Patent:** **** Sep. 7, 2021**

(54) **TRAY FOR BATTERIES**

(71) Applicant: **SANG-A FRONTEC CO., LTD.**,
Incheon (KR)

(72) Inventors: **Byung Il Cho**, Incheon (KR); **Sang Loul Lee**, Seoul (KR); **Young Jin Lee**,
Bucheon-si (KR); **Won Seok Heo**,
Incheon (KR)

(73) Assignee: **SANG-A FRONTEC CO., LTD.**

(**) Term: **15 Years**

(21) Appl. No.: **29/702,754**

(22) Filed: **Aug. 21, 2019**

(30) **Foreign Application Priority Data**

Feb. 25, 2019 (KR) 30-2019-0008437

(51) **LOC (13) Cl.** **13-02**

(52) **U.S. Cl.**
USPC **D13/119; D34/31**

(58) **Field of Classification Search**

USPC D13/103, 104, 107, 108, 109, 110, 112,
D13/118, 119, 120, 121, 122, 184, 199;
D34/28, 31

CPC H01M 2/02; H01M 2/1016; H04R 1/1025
See application file for complete search history.

(56) **References Cited**

U.S. PATENT DOCUMENTS

D302,893 S	*	8/1989	Wakefield	D34/31
D311,373 S	*	10/1990	Morisse	D13/119
D311,898 S	*	11/1990	Luzader	D13/119
D389,454 S	*	1/1998	Mori	D13/102
D426,524 S	*	6/2000	Abed	D13/199

(Continued)

OTHER PUBLICATIONS

“Battery Tray Kit”. Found online Aug. 31, 2020 at amazon.com. Reference dated Apr. 19, 2012. Retrieved from https://www.amazon.com/JEGS-10217-Steel-Battery-Tray/dp/B078WJPKV/ref=asc_df_B078WJPKV/. (Year: 2012).*

(Continued)

Primary Examiner — Kendra Leslie Hamilton

Assistant Examiner — Amanda Christensen

(74) *Attorney, Agent, or Firm* — Renaissance IP Law Group LLP

(57) **CLAIM**

The ornamental design for a tray for batteries, as shown and described.

DESCRIPTION

FIG. 1 is a top, front, right side perspective view of a tray for batteries showing our new design expanded in a first configuration of use;

FIG. 2 is a front elevation view thereof;

FIG. 3 is a rear elevation view thereof;

FIG. 4 is a left side elevation view thereof;

FIG. 5 is a right side elevation view thereof;

FIG. 6 is a top plan view thereof;

FIG. 7 is a bottom view thereof;

FIG. 8 is a top, front, right side perspective view of a tray for batteries of FIG. 1, shown in a first condition of use;

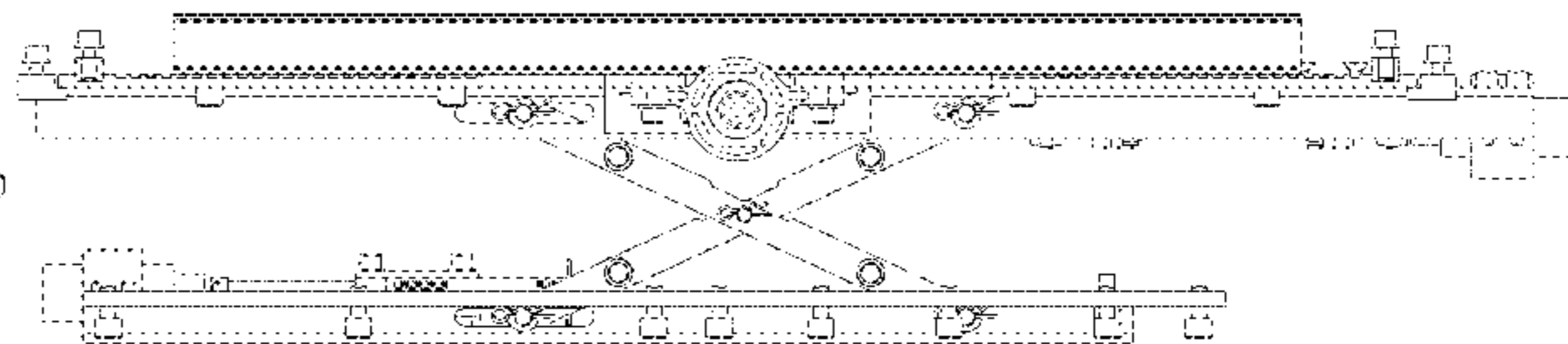
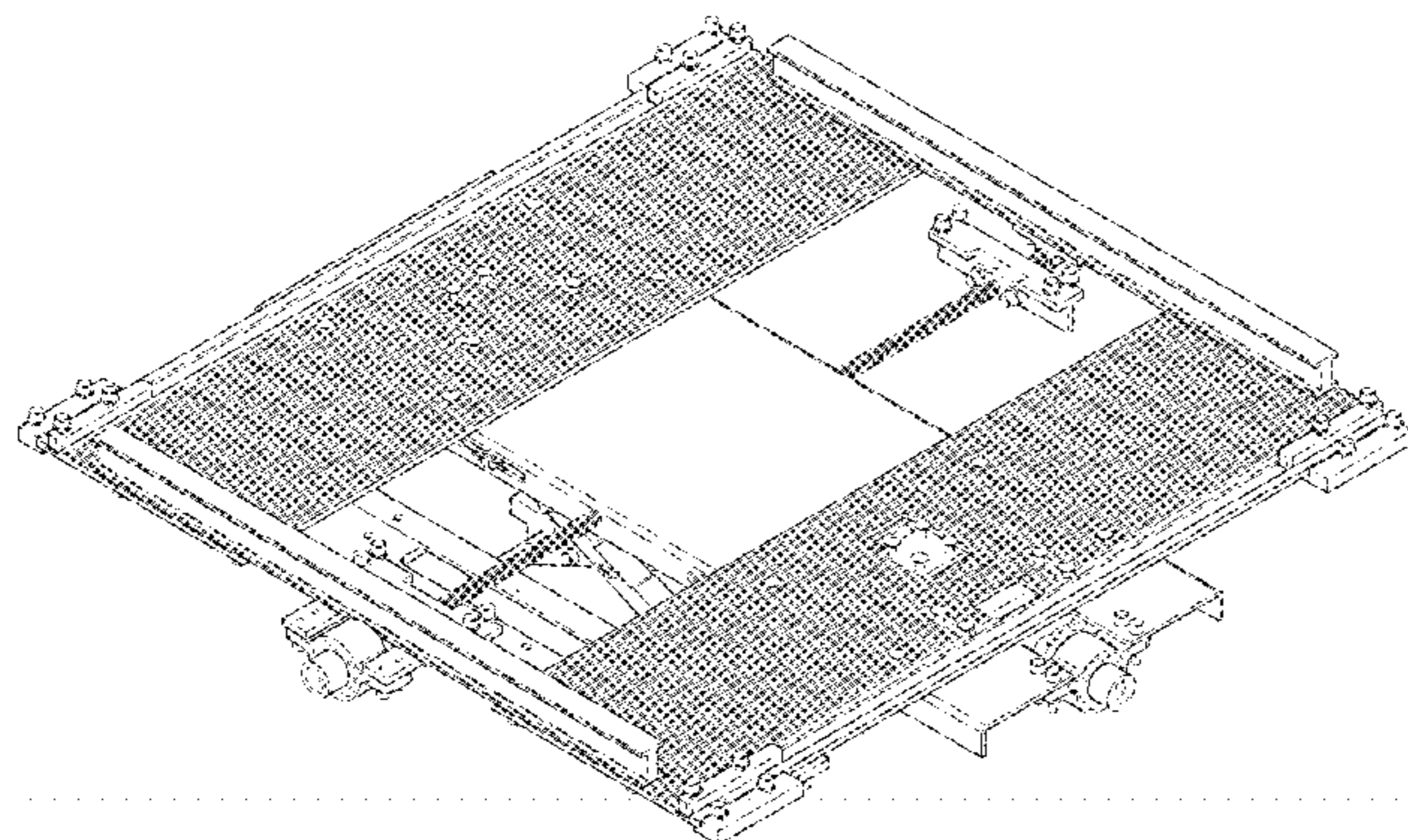
FIG. 9 is a top, front, right side perspective view of a tray for batteries of FIG. 1, shown in a second condition of use;

FIG. 10 is a front elevation view of the tray for batteries of FIG. 1, shown expanded in a first condition of use; and,

FIG. 11 is a front elevation view of the tray for batteries of FIG. 1, shown closed in a second condition of use.

The equal-length broken lines in the drawings depict portions of the tray for batteries that form no part of the claim design. In FIGS. 8-10, the broken lines showing a battery element depict environmental subject matter only and form no part of the claimed design.

1 Claim, 8 Drawing Sheets



(56)

References Cited

U.S. PATENT DOCUMENTS

6,521,371 B1 * 2/2003 Lavanture H01M 2/1072
429/100
D472,029 S * 3/2003 Ji D34/31
D611,413 S * 3/2010 Brockington D13/119
D685,563 S * 7/2013 Chan D34/28
D825,506 S * 8/2018 Langner D13/184
10,062,885 B2 * 8/2018 Tessier B60K 1/04
2018/0358646 A1 * 12/2018 Yu H01M 10/0486
2019/0312240 A1 * 10/2019 Nikaido H01M 2/1016

OTHER PUBLICATIONS

“Dual Battery Tray”. Found online Aug. 31, 2020 at [tacomaworld.com](https://www.tacomaworld.com). Reference dated Mar. 30, 2014. Retrieved from <https://www.tacomaworld.com/threads/homemade-dual-battery-tray-aux-fuseblock.322629/>. (Year: 2014).*

“Pneumatic Scissor Lift Table”. Found online Sep. 24, 2020 at [washingtonequipment.com](https://www.washingtonequipment.com). Reference dated Mar. 30, 2014. Retrieved from https://tineye.com/search/8358fd52efb68f739f6d66f03bc6d44c71c630e1?sort=crawl_date&order=asc&page=1. (Year: 2014).*

* cited by examiner

FIG. 1

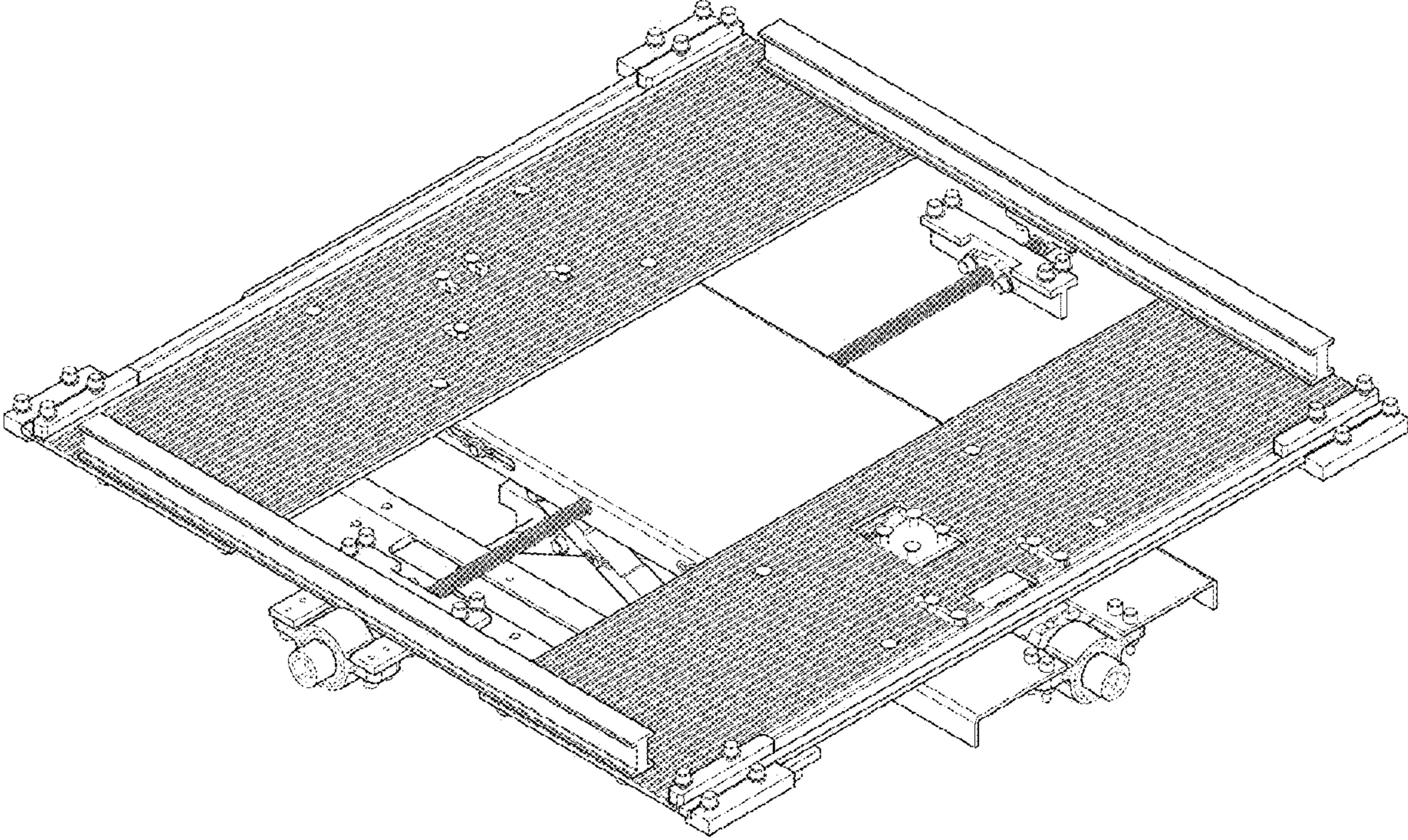


FIG. 2

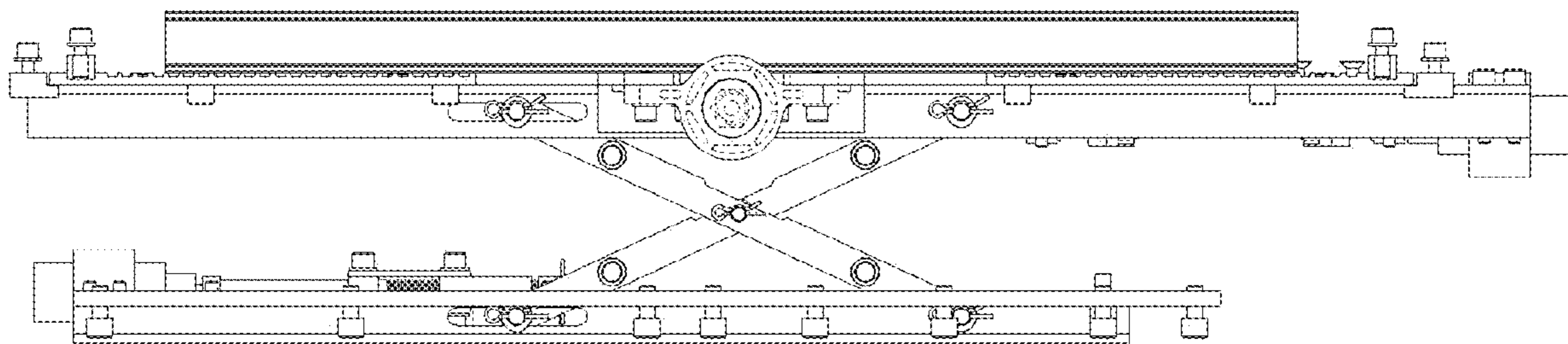


FIG. 3

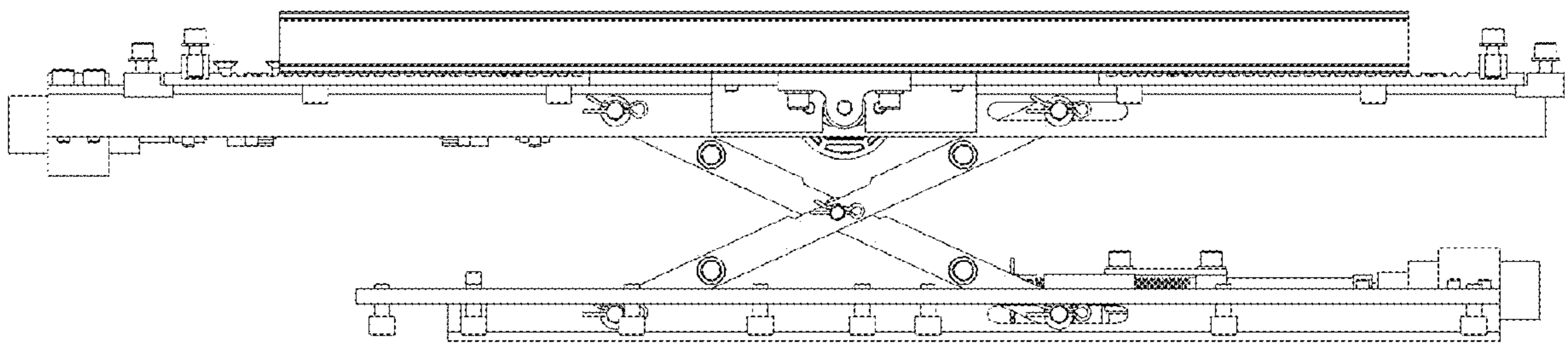


FIG. 4

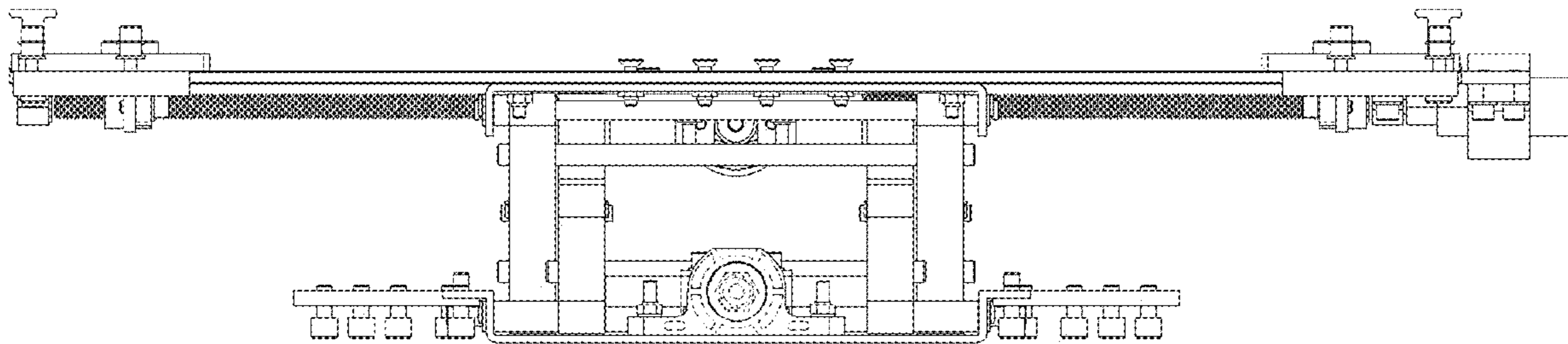


FIG. 5

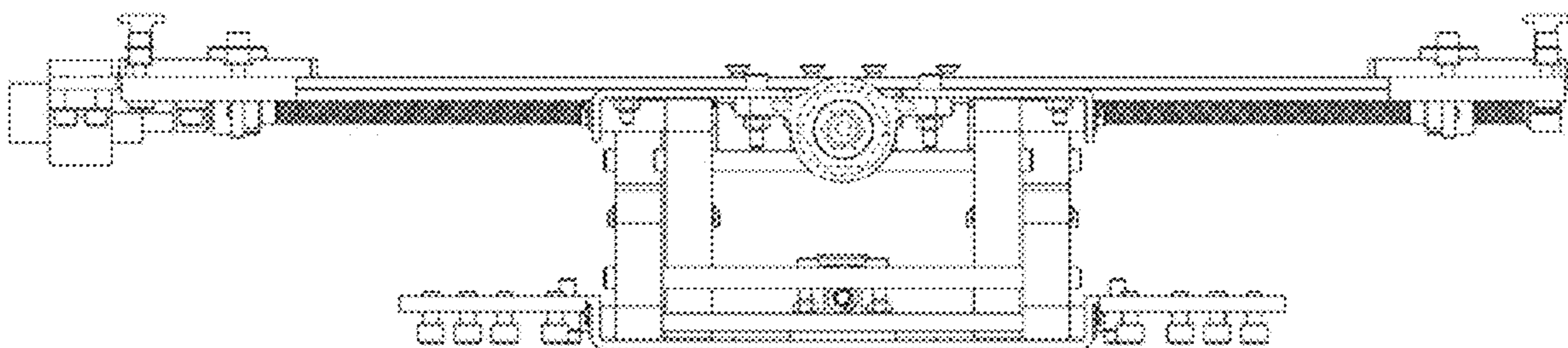


FIG. 6

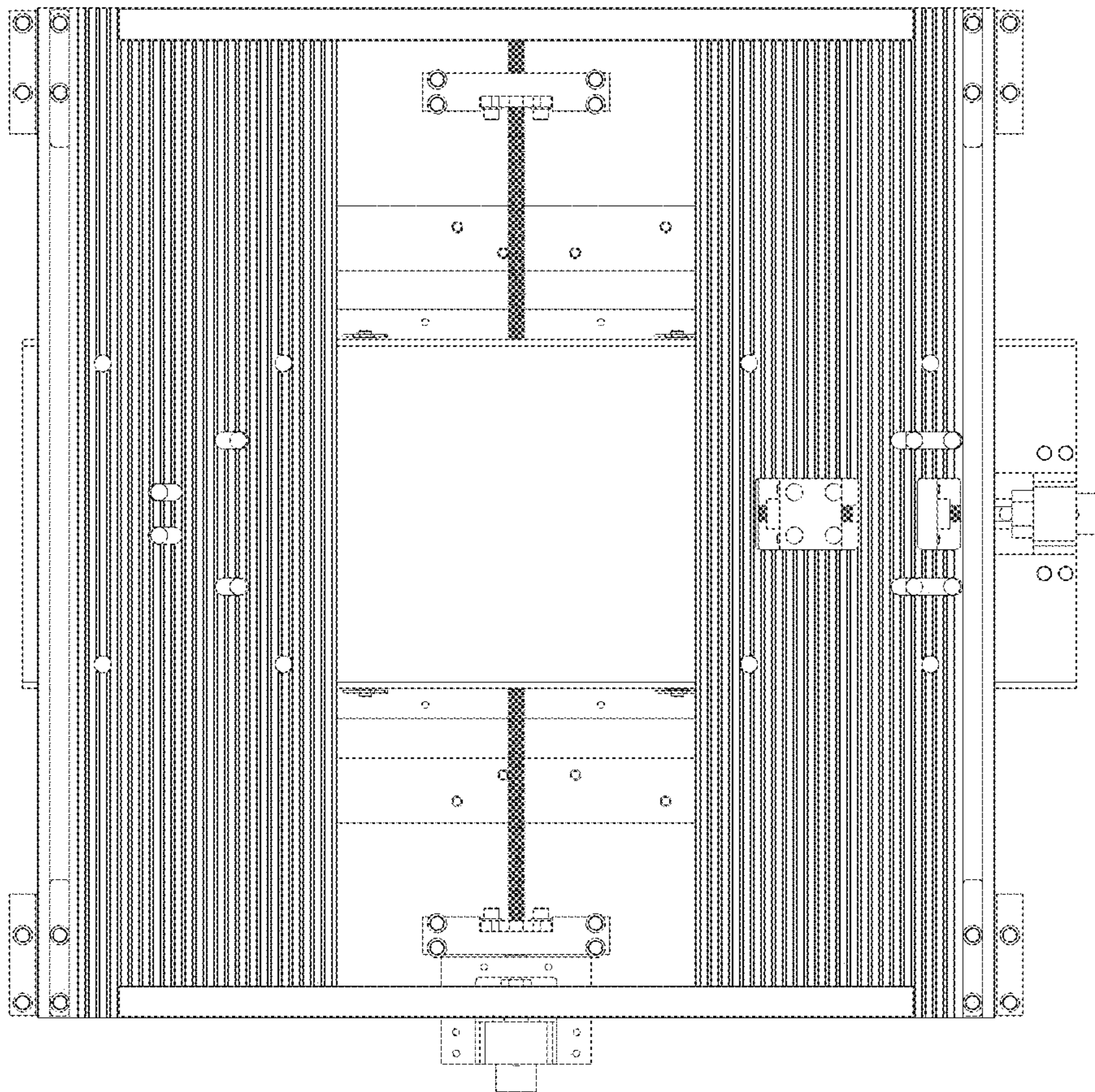


FIG. 7

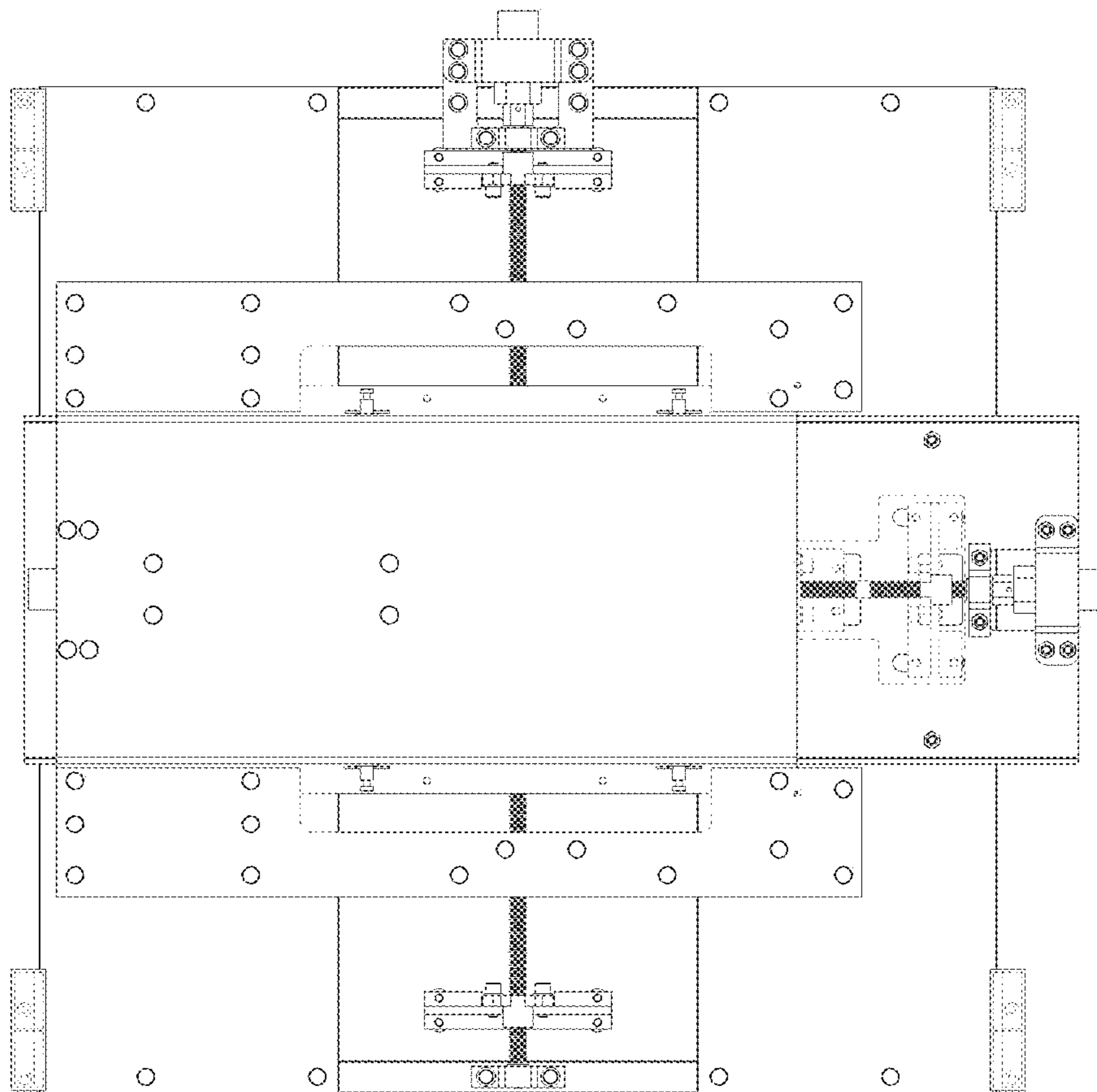


FIG. 8

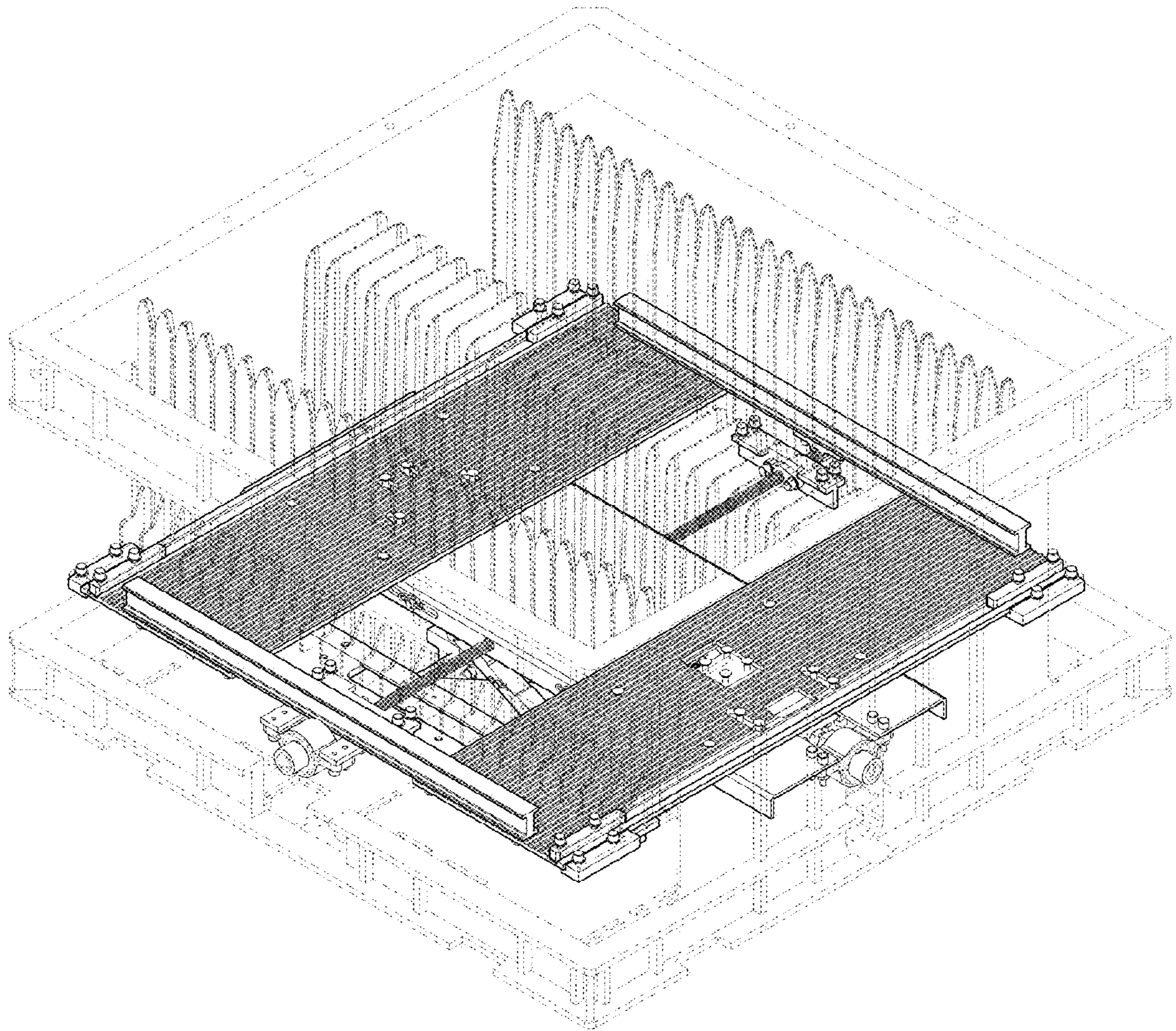


FIG. 9

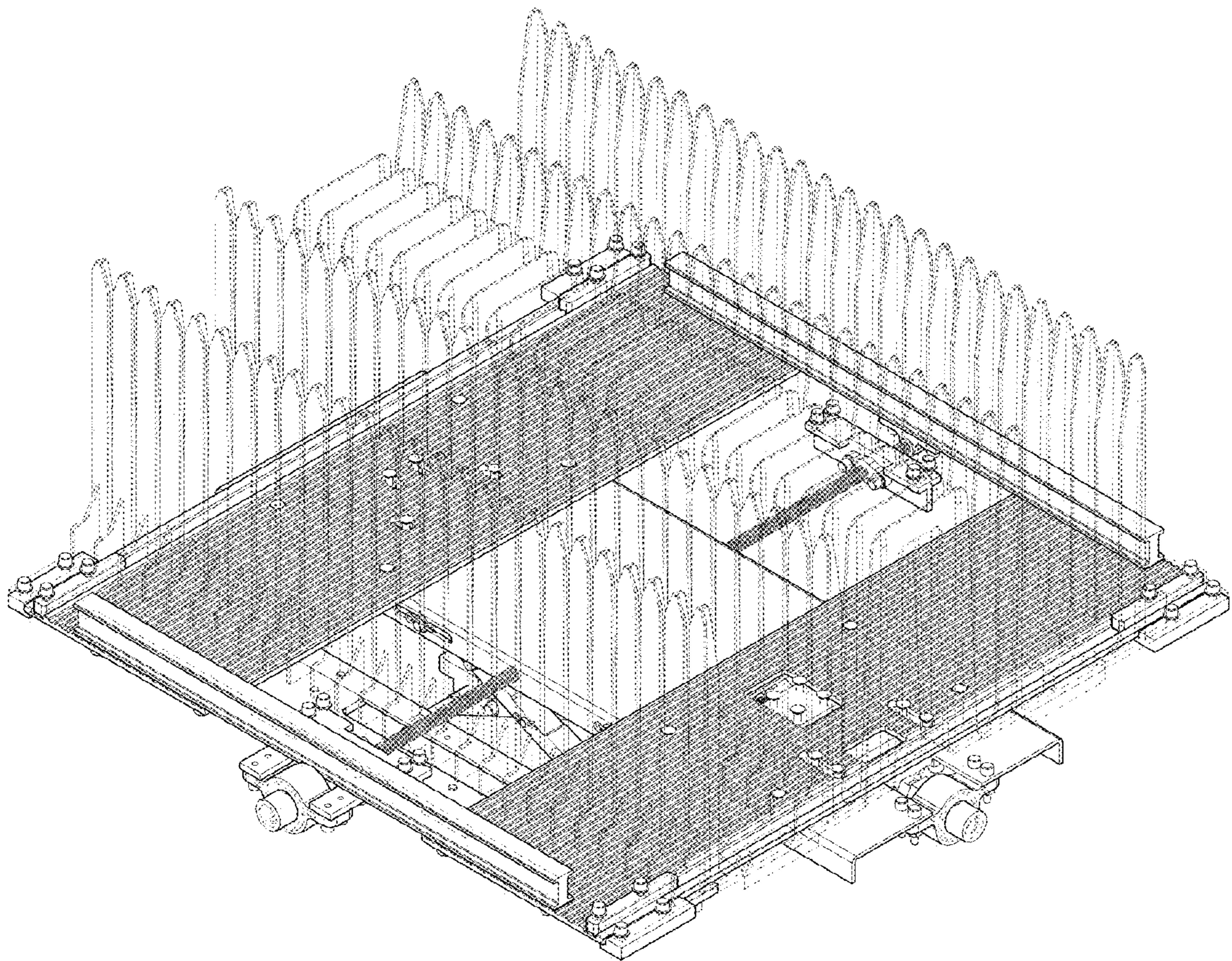


FIG. 10

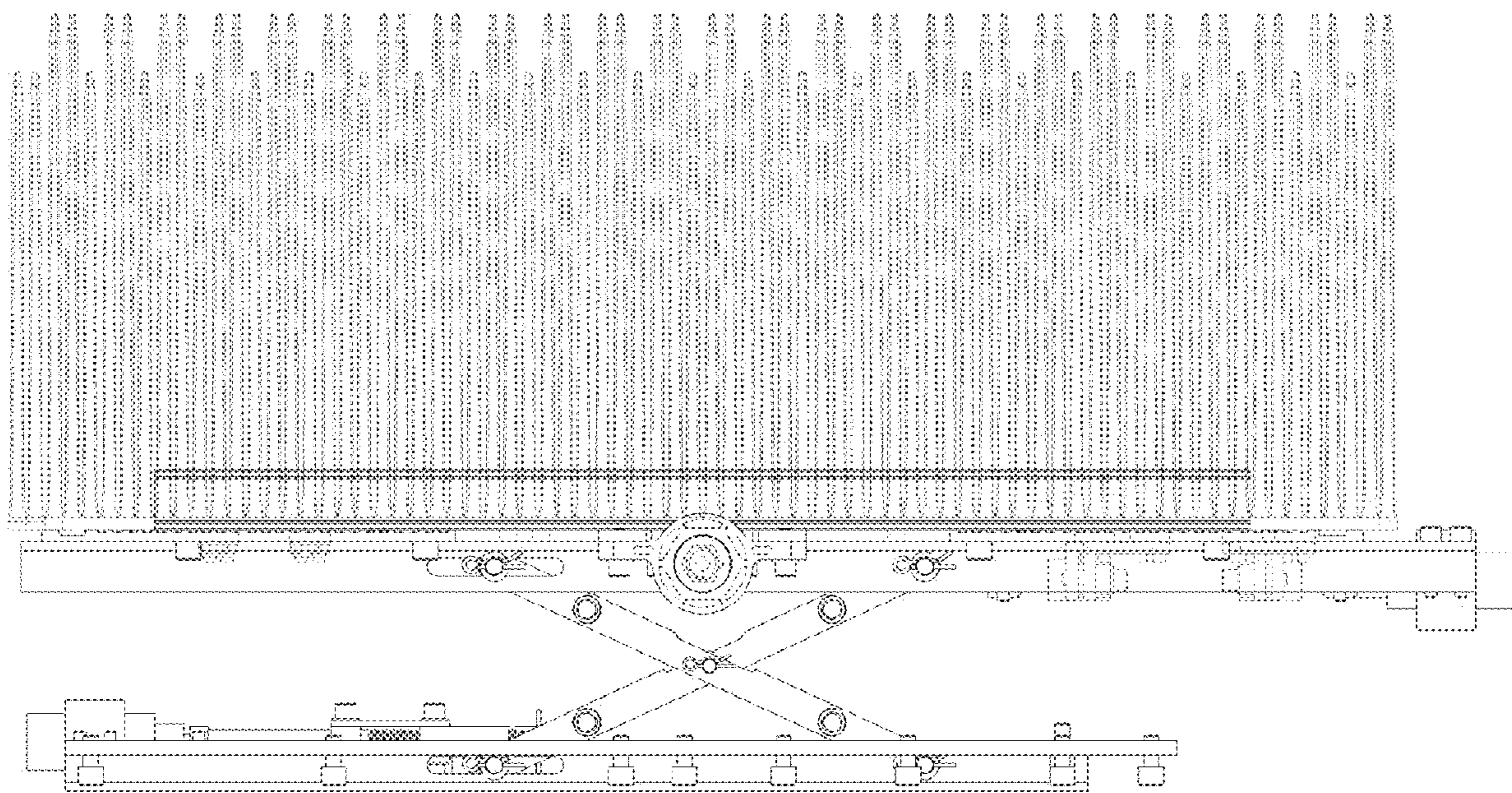


FIG. 11

