



US00D929940S

(12) **United States Design Patent** (10) **Patent No.:** **US D929,940 S**
Kato et al. (45) **Date of Patent:** **** Sep. 7, 2021**

(54) **SERVO AMPLIFIER**

Y02E 60/122; Y02E 60/124; Y02E 60/50;
Y02E 10/50; Y02E 10/47; H01M 2/02;
H01M 2/022; H01M

(71) Applicant: **Mitsubishi Electric Corporation,**
Tokyo (JP)

(Continued)

(72) Inventors: **Shinichi Kato,** Tokyo (JP); **Masaaki Kadoyanagi,** Tokyo (JP); **Kentaro Tsukamoto,** Tokyo (JP); **Shotaro Hirako,** Tokyo (JP)

(56) **References Cited**

U.S. PATENT DOCUMENTS

D501,648 S ‡ 2/2005 Fiorentino G06F 1/18
D13/110

D510,319 S ‡ 10/2005 Tuomola D13/110
(Continued)

(73) Assignee: **Mitsubishi Electric Corporation,**
Tokyo (JP)

(**) Term: **15 Years**

OTHER PUBLICATIONS

(21) Appl. No.: **29/745,684**

Servo Amplifiers. (Design—© Questel) orbit.com. [Online PDF compilation of references] 183 pgs. Print Dates Range Oct. 19, 2020-Sep. 27, 2020 [Retrieved Jun. 1, 2021].*

(22) Filed: **Aug. 7, 2020**

(Continued)

Related U.S. Application Data

(62) Division of application No. 29/695,141, filed on Jun. 17, 2019, now Pat. No. Des. 906,961.

Primary Examiner — Manpreet S Matharu

Assistant Examiner — Suzanne E Tisdell

(74) *Attorney, Agent, or Firm* — Studebaker & Brackett PC

(30) **Foreign Application Priority Data**

Jan. 31, 2019 (JP) 2019-001871
Jan. 31, 2019 (JP) 2019-001872
Jan. 31, 2019 (JP) 2019-001873

(57) **CLAIM**

The ornamental design for a servo amplifier, as shown and described.

(51) **LOC (13) Cl.** **13-02**

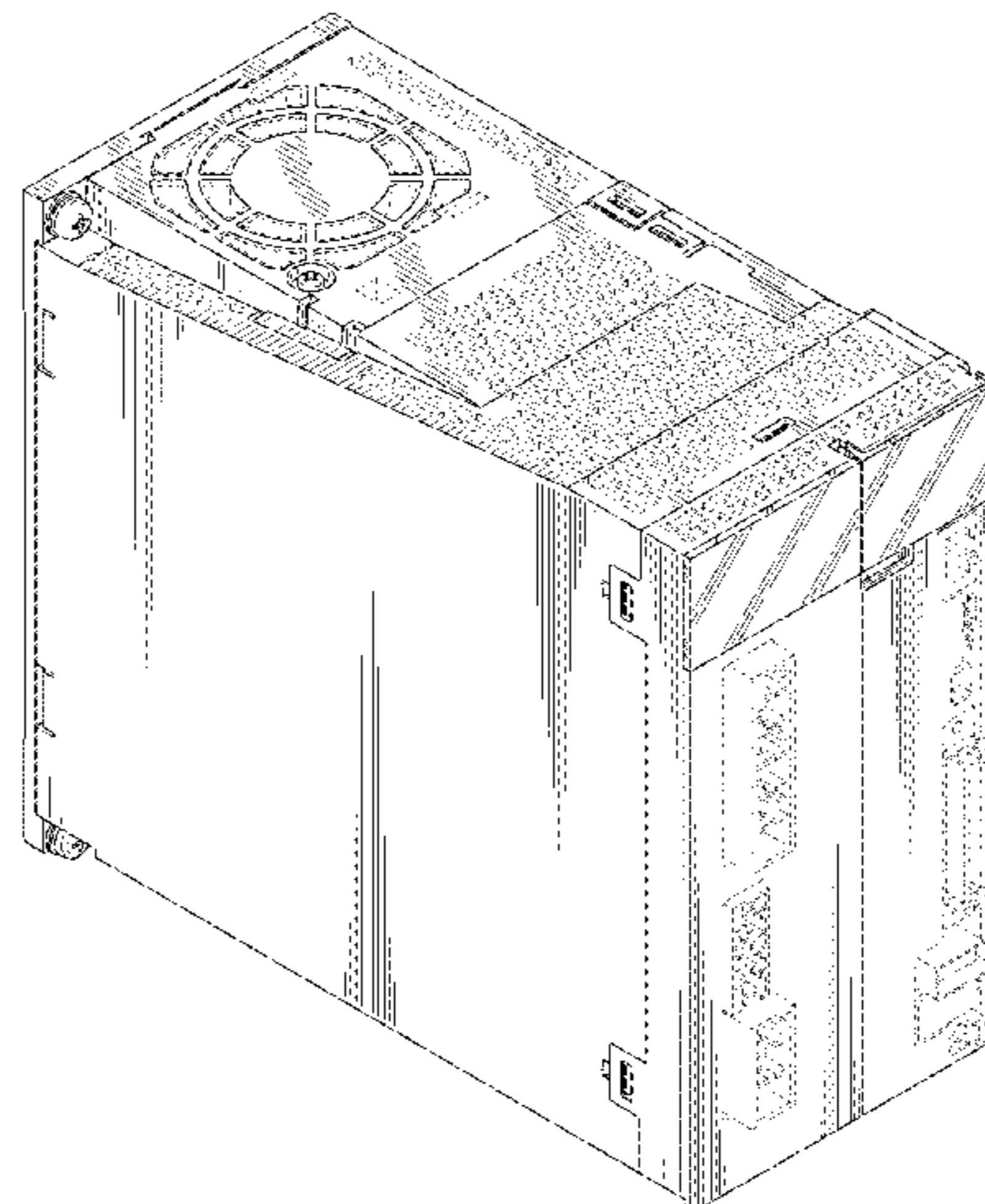
(52) **U.S. Cl.**
USPC **D13/110**

DESCRIPTION

(58) **Field of Classification Search**
USPC D13/102, 103, 104, 105, 106, 107, 108,
D13/109, 110, 118, 119, 184, 199;
D14/356, 432
CPC H02J 2001/008; H02J 3/32; H02J 3/008;
H02J 7/0027; H02J 7/0013; H02J 7/0054;
H02J 7/00; H02J 7/025; H02J 7/0042;
H02J 7/0044; H02J 7/0045; H02J 7/0003;
B60R 16/03; B60L 11/1809; B60L
11/1861; B60L 11/182; Y02E 60/12;

FIG. 1 is a front perspective view of the front, left, and top sides of a servo amplifier showing our new design, FIG. 2 is a rear perspective view of the rear, right, and bottom sides thereof; FIG. 3 is a front view thereof; FIG. 4 is a rear view thereof; FIG. 5 is a top plan view thereof; FIG. 6 is a bottom plan view thereof; FIG. 7 is a right side view thereof; and, FIG. 8 is a left side view thereof.

(Continued)



The broken lines shown represent portions of the servo amplifier and form no part of the claimed design.

1 Claim, 8 Drawing Sheets

(58) Field of Classification Search

CPC 2/0202; H01M 2/0207; H01M 2/0212;
H01M 2/1061; H01M 2/1066; H01M
2/105

See application file for complete search history.

(56) References Cited

U.S. PATENT DOCUMENTS

7,163,048	B2 *	1/2007	Colasso	G01F 23/20 165/11.1
D543,542	S *	5/2007	Ng	D14/356
D561,095	S †	2/2008	Sakai	D13/110
D581,867	S *	12/2008	Crawford	D13/103
7,560,188	B2 *	7/2009	Morishita	H01M 10/345 429/50
D610,142	S *	2/2010	Klein	D14/356
D618,239	S *	6/2010	Chen	D14/356
D654,024	S †	2/2012	Choi	D13/110
D684,533	S †	6/2013	Nakahira	D13/110
D684,534	S †	6/2013	Nakahira	D13/110
D713,336	S †	9/2014	Perin	D13/110
D745,847	S †	12/2015	Ho	D13/110
D755,123	S †	5/2016	Ho	D13/110
D768,129	S *	10/2016	Chen	D14/356
D771,565	S †	11/2016	Saarivirta	D13/110
D771,566	S †	11/2016	Saarivirta	D13/110
D772,161	S †	11/2016	Saarivirta	D13/110
D772,162	S †	11/2016	Saarivirta	D13/110
D772,808	S *	11/2016	Walker	D13/103
9,543,613	B2 *	1/2017	Ihara	H01M 10/486
D784,920	S *	4/2017	Walker	D13/103
D786,863	S *	5/2017	Kim	D14/356
D796,431	S †	9/2017	Lau	D13/107
D808,387	S *	1/2018	Ootori	D14/356
D808,898	S *	1/2018	Walker	D13/103

D809,515	S *	2/2018	Nada	D14/356
D815,592	S †	4/2018	Lau	D13/107
D820,200	S *	6/2018	Takahashi	D13/103
D824,330	S *	7/2018	Hao	D13/110
D828,294	S †	9/2018	Lau	D13/107
10,070,559	B2 *	9/2018	Kim	H01M 10/627
10,074,844	B2 †	9/2018	Wada	B60L 58/21
D831,655	S *	10/2018	Jhun	D14/432
D840,335	S †	2/2019	Gleave	D13/110
D862,386	S †	10/2019	Beer	D13/110
D864,962	S *	10/2019	Jhun	D14/432
D876,349	S †	2/2020	Nagano	D13/110
10,593,916	B2 *	3/2020	Yoon	H01M 50/20
10,683,851	B2 *	6/2020	Pedretti	H02K 7/025
D902,852	S *	11/2020	Lin	D13/108
D906,962	S *	1/2021	Kato	D13/110
D906,963	S *	1/2021	Kato	D13/110
10,897,147	B2 *	1/2021	Stenger	H02J 7/0029
D913,920	S *	3/2021	Tachibana	D13/110
D913,922	S *	3/2021	You	D13/110
D916,655	S *	4/2021	Fang	D13/108
10,978,902	B2 *	4/2021	Ker	H02J 50/005
D920,229	S *	5/2021	Fonzo	D13/103
11,005,279	B2 *	5/2021	Miller	H02J 7/0042

OTHER PUBLICATIONS

“OSD Audio 6 Zone 12-Channel Digital Amplifier.” Mar. 14, 2011. Amazon. https://www.amazon.com/OSD-Audio-MX1260-Universal-selectable/dp/B004S3PY9M/ref=sr_1_9?dchild=1&keywords=a06b-6132-h002+servo+amplifier+ecotech&qid=1622582105&s=electronics&sr=1-9 (Year: 2011).*

“4 Multi-Zone Stereo Amplifier Pyle PT8000CH.” Sep. 14, 2004. Amazon. https://www.amazon.com/dp/B092RV39W3/ref=sspa_dk_detail_3?psc=1&pd_rd_i=B092RV39W3&pd_rd_w=ohTJx&pf_rd_p=d99b04de-2aba-431e-aaa5-cb34a6a19561&pd_rd_wg=oxFIN&pf_rd_r=FZ8FHTQ0WA7M2BAX17NK&pd_rd (Year: 2004).*

An Office Action mailed by the Korean Intellectual Property Office dated Oct. 14, 2019, which corresponds to Korean Design Application No. 2019-0027574 and is related to Design U.S. Appl. No. 29/695,141. †

* cited by examiner

† imported from a related application

FIG. 1

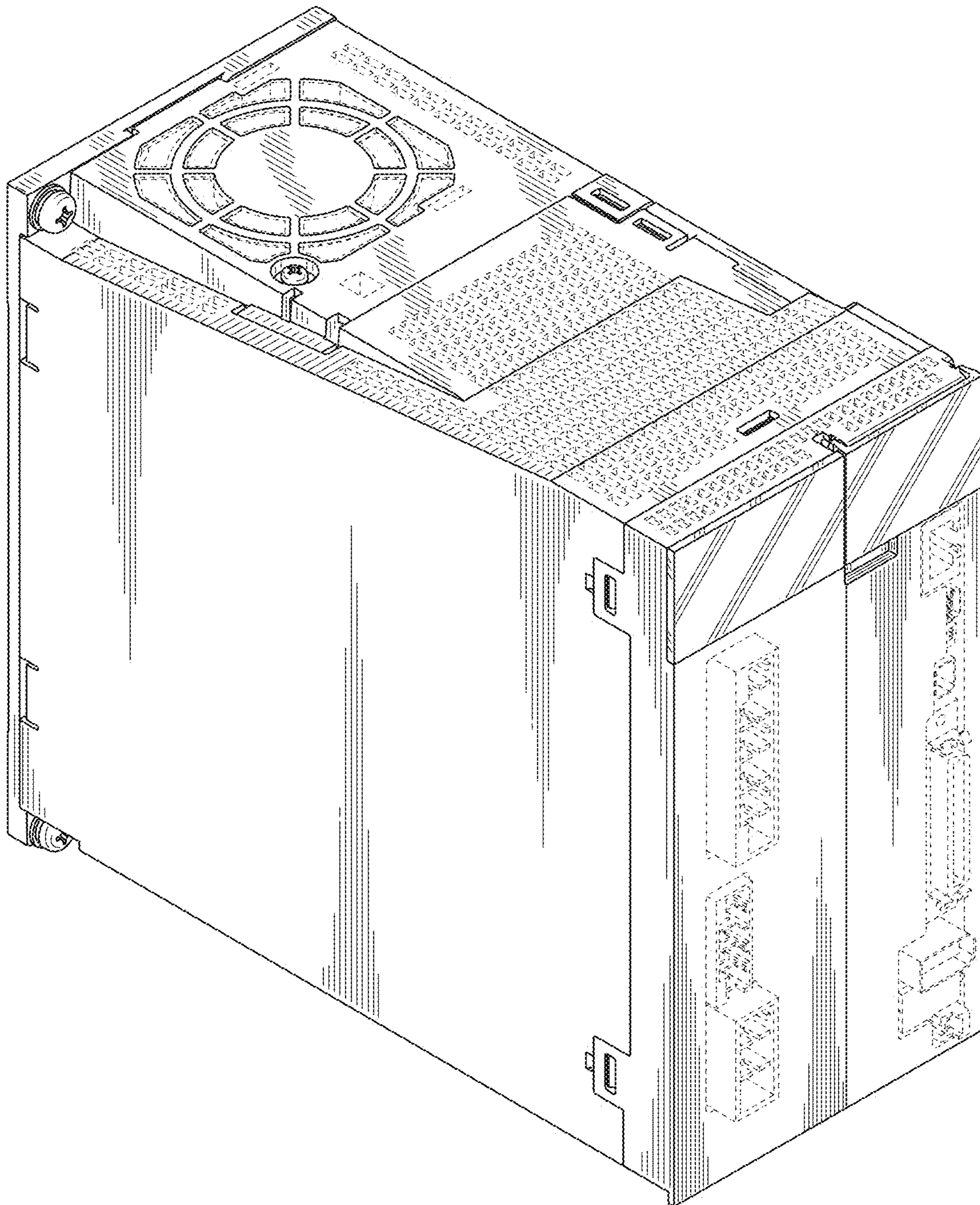


FIG. 2

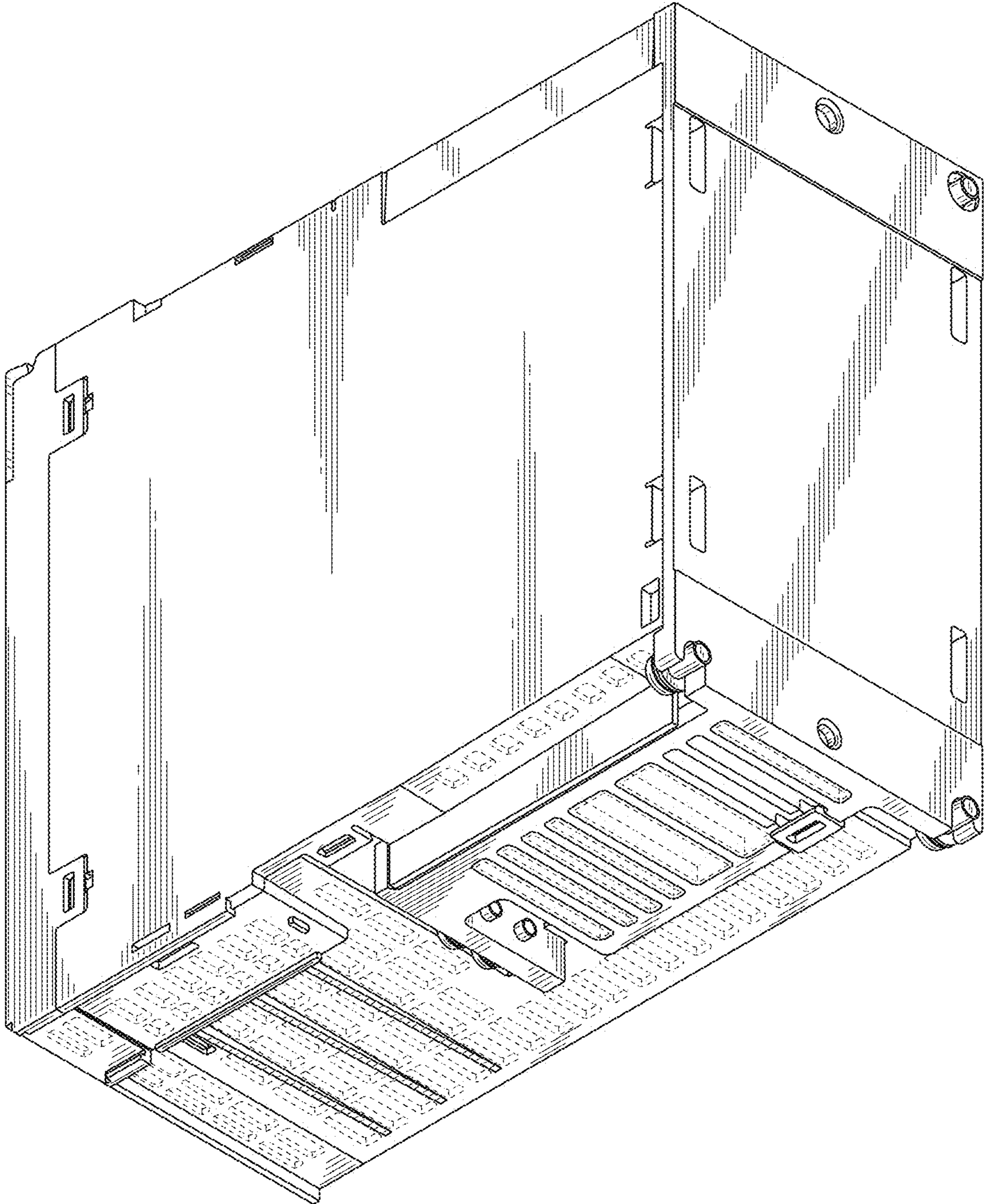


FIG. 3

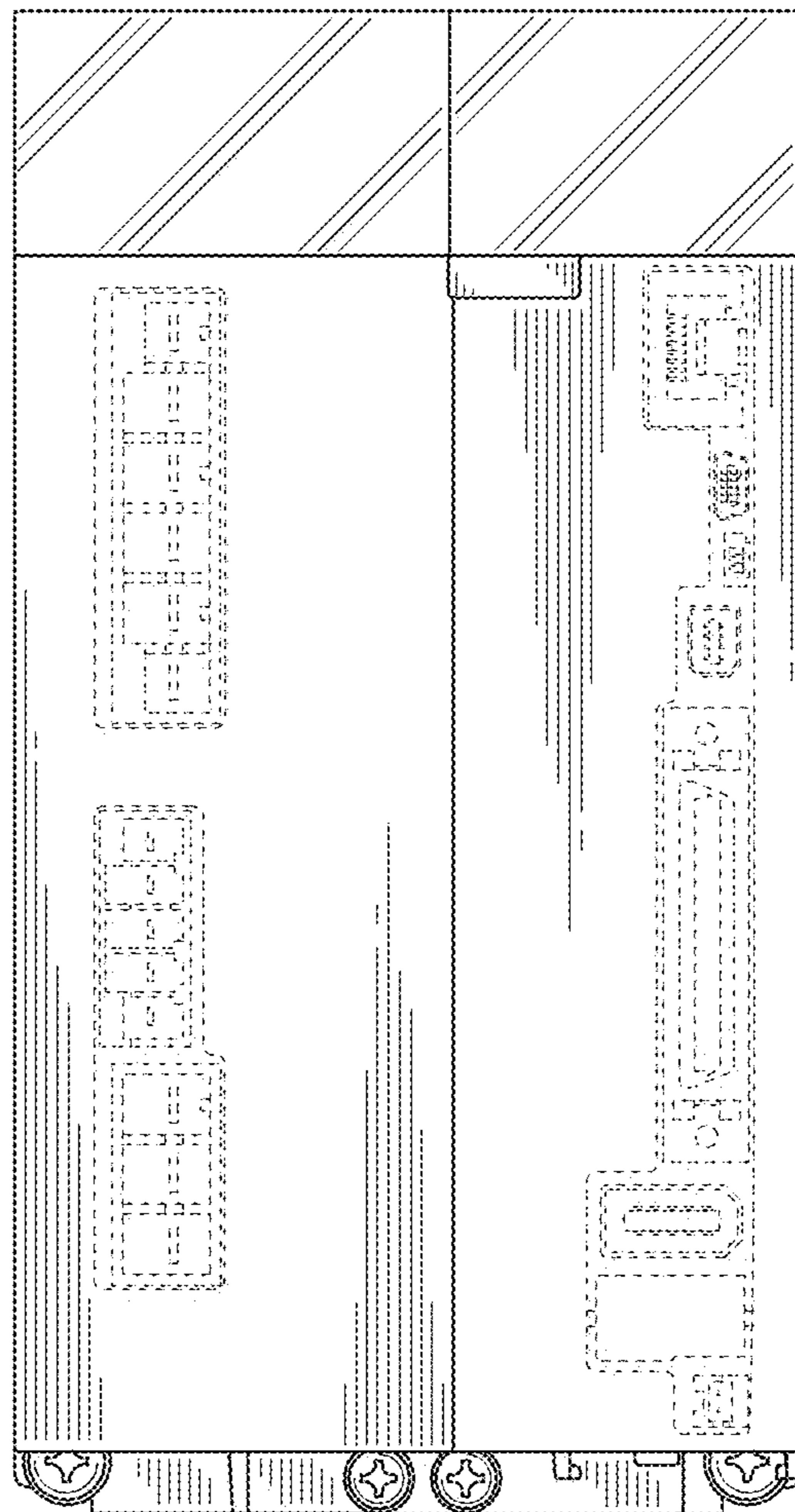


FIG. 4

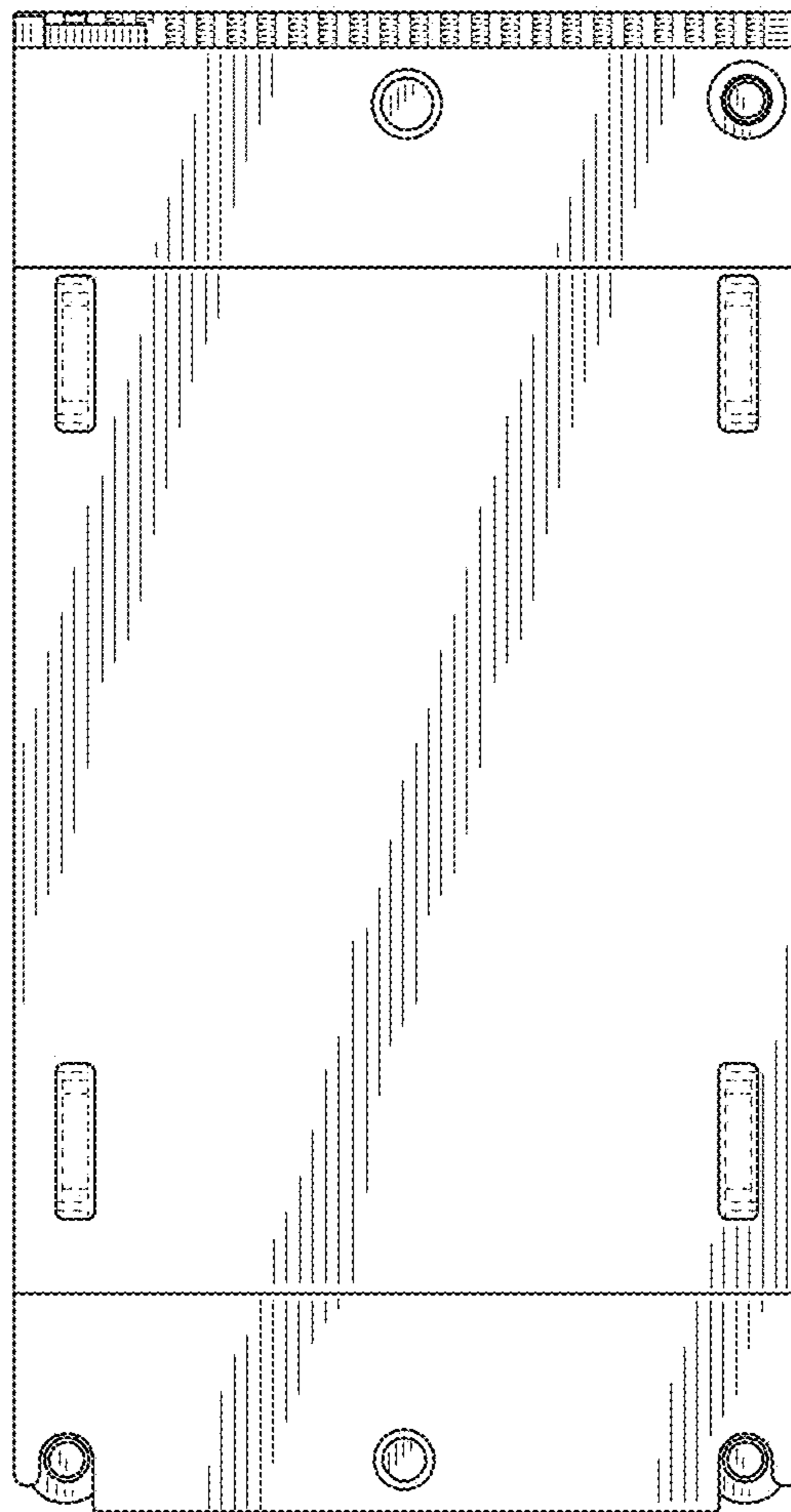


FIG. 5

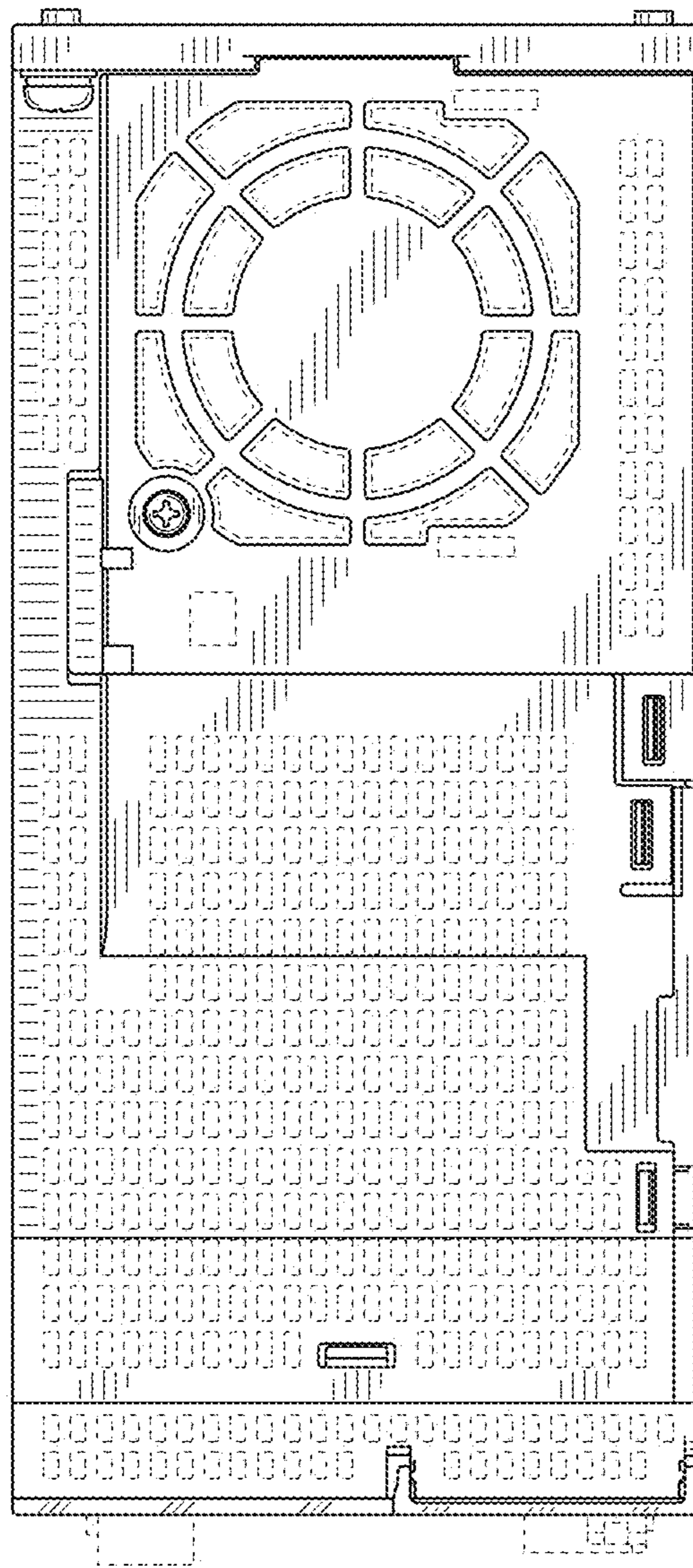


FIG. 6

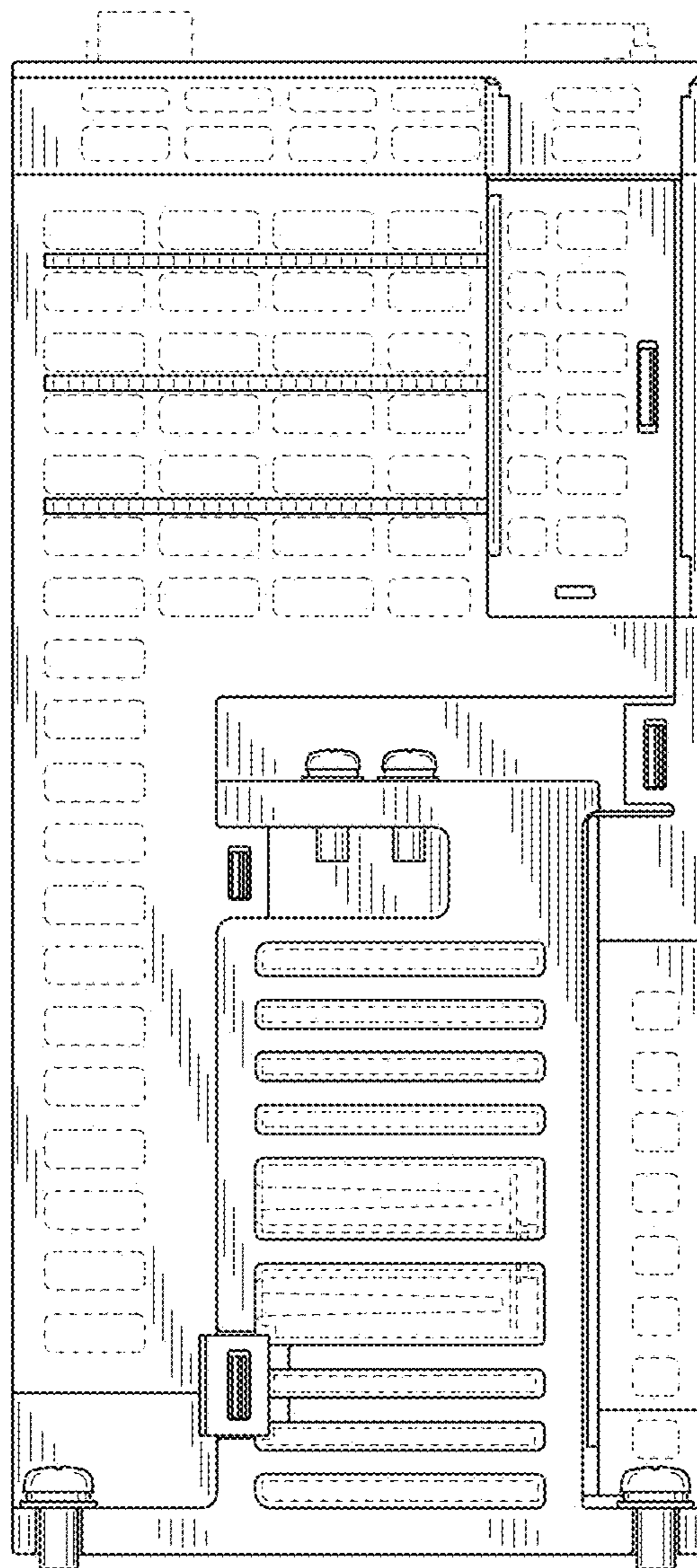


FIG. 7

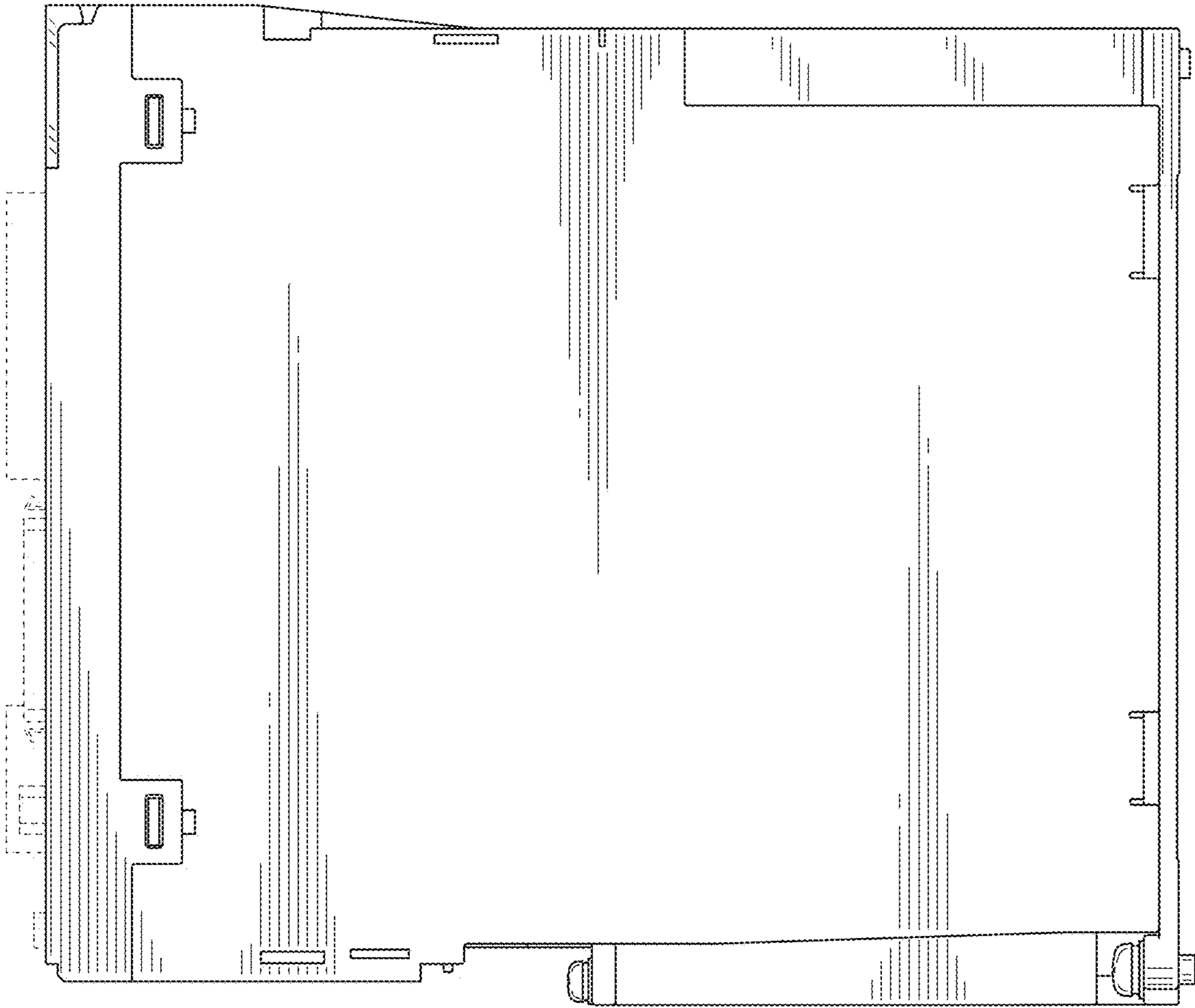


FIG. 8

