



US00D929935S

(12) **United States Design Patent** (10) **Patent No.:** **US D929,935 S**
Yin et al. (45) **Date of Patent:** **** Sep. 7, 2021**

(54) **PORTABLE POWER STATION**

(71) Applicant: **SHENZHEN POWEROAK
NEWENER CO., LTD**, Shenzhen (CN)

(72) Inventors: **Xiangzhu Yin**, Shenzhen (CN); **Gang Wang**, Shenzhen (CN); **Huisheng Guo**, Shenzhen (CN)

(73) Assignee: **SHENZHEN POWEROAK
NEWENER CO., LTD**, Shenzhen (CN)

(**) Term: **15 Years**

(21) Appl. No.: **29/734,997**

(22) Filed: **May 18, 2020**

(30) **Foreign Application Priority Data**

Dec. 28, 2019 (CN) 201930736814.5

(51) **LOC (13) Cl.** **13-02**

(52) **U.S. Cl.**
USPC **D13/103**

(58) **Field of Classification Search**
USPC D13/104, 107, 108, 110, 119, 123, 133,
D13/144, 149, 153, 155, 156, 184, 199
CPC H01M 2/02; H01M 2/022; H01M 2/0202;
H01M 2/0207; H01M 2/0212; H01M
2/1061; H01M 2/1022; H01M 2/1055;
H01M 2/1066; H01M 2/105; H01M 2/20;
H01M 2/202; H01M 2/204; H01M 2/206;
H01M 10/46; H01M 10/465; H01M
10/482; H01M 2200/30; H01M 2250/30;
H01M 2250/40; H02J 7/00; H02J 7/0003;
H02J

(Continued)

(56) **References Cited**

U.S. PATENT DOCUMENTS

D712,834 S * 9/2014 Munro D13/116
D775,734 S * 1/2017 Hrenchir D24/170
D790,466 S * 6/2017 Lin D13/112

(Continued)

OTHER PUBLICATIONS

Generators. (Design—© Questel) orbit.com. [Online PDF compilation of references] 48 pgs. Print Dates Range Nov. 12, 2020-Oct. 25, 2019 [Retrieved Jul. 22, 2021].*

(Continued)

Primary Examiner — Manpreet S Matharu

Assistant Examiner — Suzanne E Tisdell

(74) *Attorney, Agent, or Firm* — IPro, PLLC

(57) **CLAIM**

The ornamental design for a portable power station, as shown and described.

DESCRIPTION

FIG. 1 is a perspective view of an embodiment of an ornamental design for a portable power station showing our new design;

FIG. 2 is a perspective view viewed from another angle thereof;

FIG. 3 is a front elevation view thereof;

FIG. 4 is a rear perspective view thereof;

FIG. 5 is a left side elevation view thereof;

FIG. 6 is a right side elevation view thereof;

FIG. 7 is a top plan view thereof;

FIG. 8 is a bottom plan view thereof;

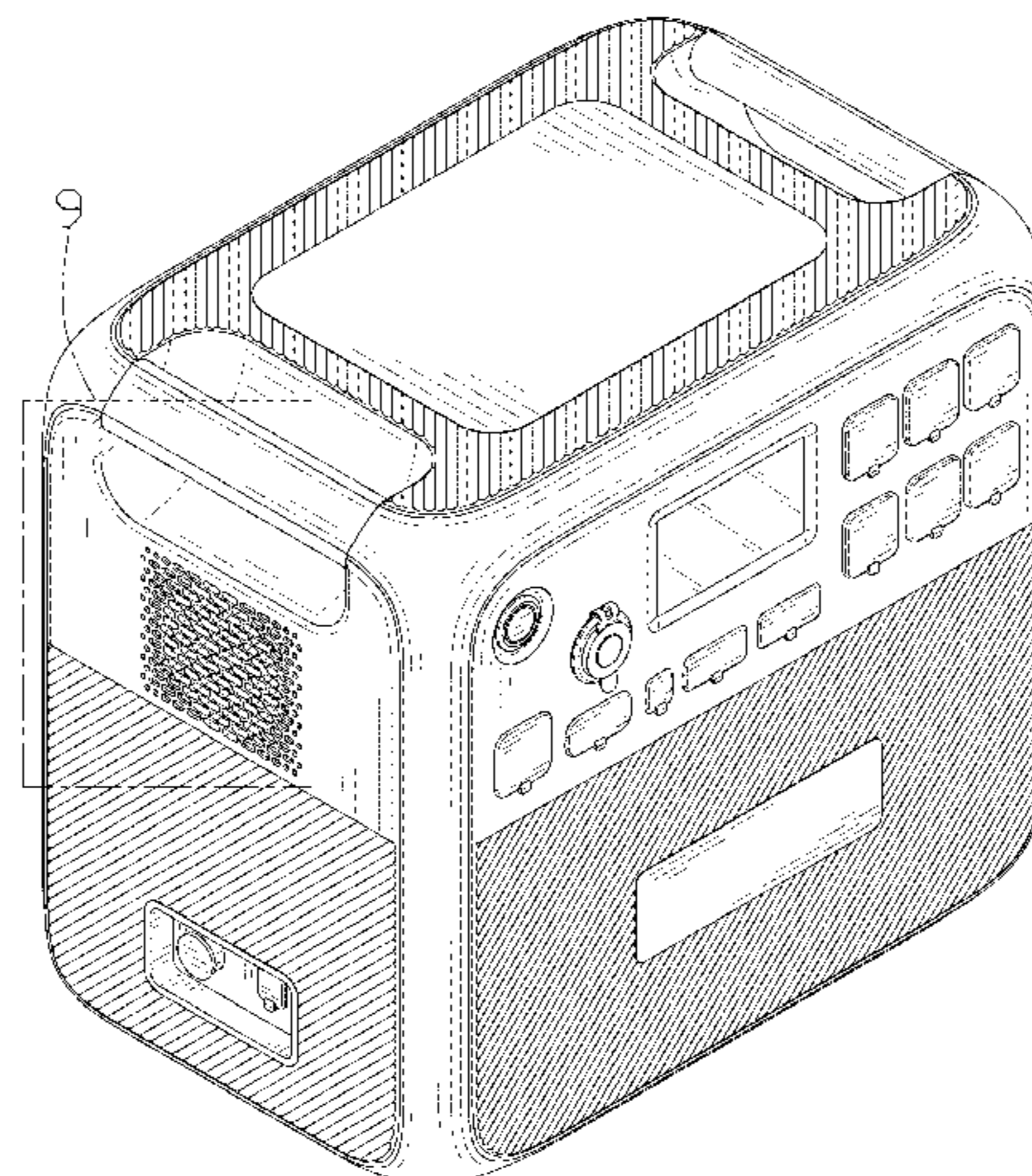
FIG. 9 is an enlarged view of the area “9” shown in FIG. 1; and,

FIG. 10 is an enlarged view of the area “10” shown in FIG. 7.

The broken lines depict portions of the portable power station in which the design is embodied that form no part of the claimed design.

The shade lines in the figures show contour and not surface ornamentation.

1 Claim, 10 Drawing Sheets



(58) **Field of Classification Search**

CPC 7/0011; H02J 7/0013; H02J 7/0054; H02J
7/0055; H02J 7/0057; H02J 7/0062
See application file for complete search history.

(56) **References Cited**

U.S. PATENT DOCUMENTS

D834,517	S	*	11/2018	Fritz	D13/116
D840,337	S	*	2/2019	Gillett	D13/112
D856,930	S	*	8/2019	Huang	D13/116
D867,983	S	*	11/2019	Li	D13/102
D871,337	S	*	12/2019	Nagasawa	D13/116
D880,420	S	*	4/2020	Hashimoto	D13/112
D887,005	S	*	6/2020	Lin	D24/164
D894,834	S	*	9/2020	Ritchie	D13/116
D913,225	S	*	3/2021	Alexander	D13/110
D916,020	S	*	4/2021	Drabek	D13/112

OTHER PUBLICATIONS

“BALDR Portable Power Station 330W.” Jan. 17, 2020. Amazon. https://www.amazon.com/dp/B07YWWVRWD/ref=sspa_dk_detail_1?psc=1&pd_rd_i=B07YWWVRWD&pd_rd_w=7IKC4&pf_rd_p=5d846283-ed3e-4512-a744-a30f97c5d738&pd_rd_wg=aJ1aA&pf_rd_r=KXATJ458AAYPBC58DDP6&pd_rd_r=4fe4de8b.*

“MAXOAK Power Station 500Wh Solar Generator.” Before Oct. 11, 2019. Amazon. https://www.amazon.com/dp/B07Z7BFRYX/ref=sspa_dk_detail_3?pd_rd_i=B07Z7BFRYX&pd_rd_w=fQkVc&pf_rd_p=5d846283-ed3e-4512-a744-a30f97c5d738&pd_rd_wg=kjRJG&pf_rd_r=0W0GEHYAGJFA0254N1GV&pd_*

“MAXOAK Bluetti EB 150, is it Really Worth it Review” Nov. 12, 2019. Youtube. <https://www.youtube.com/watch?v=iNmftVaRgU&t=1s>.*

* cited by examiner

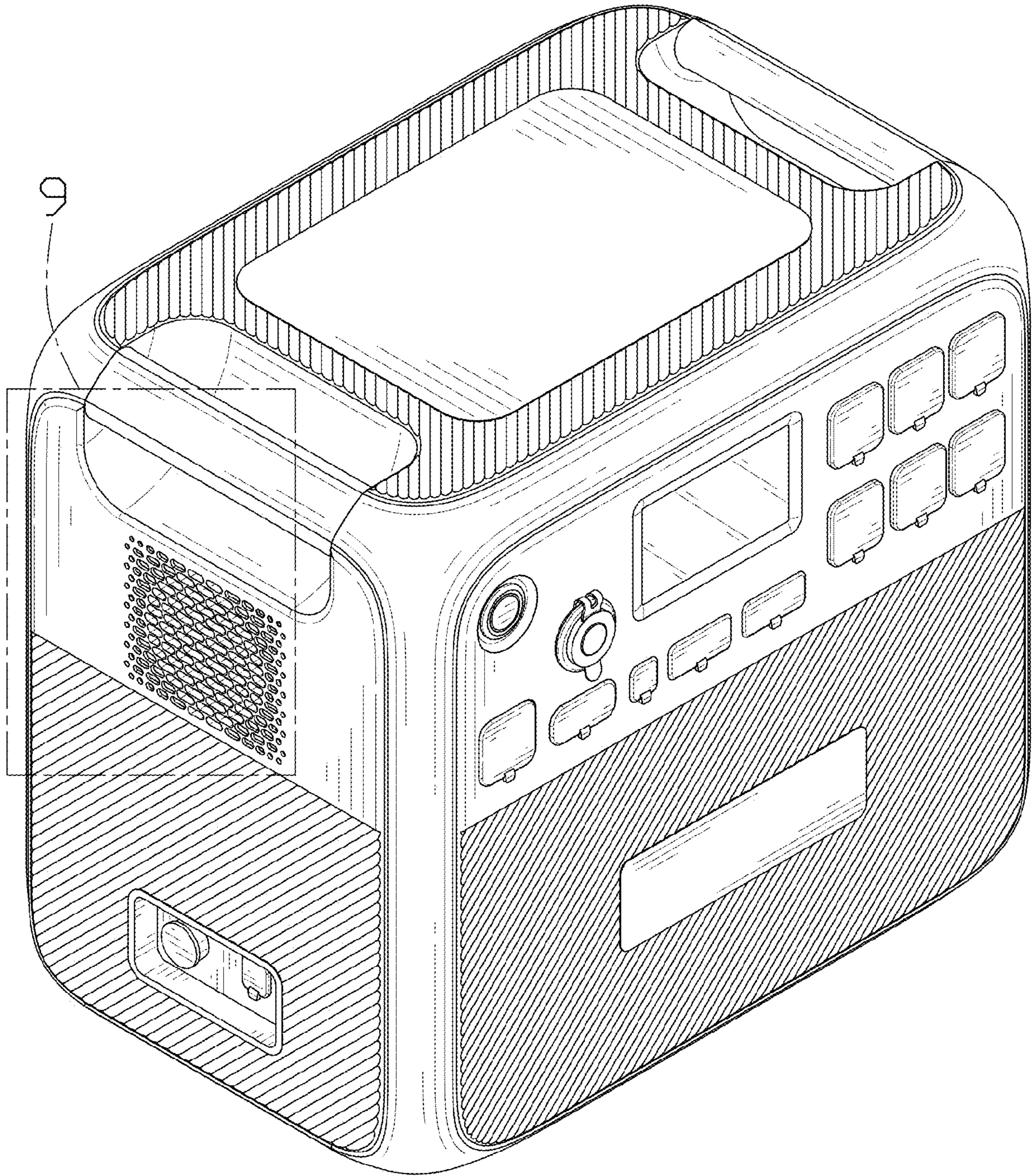


FIG. 1

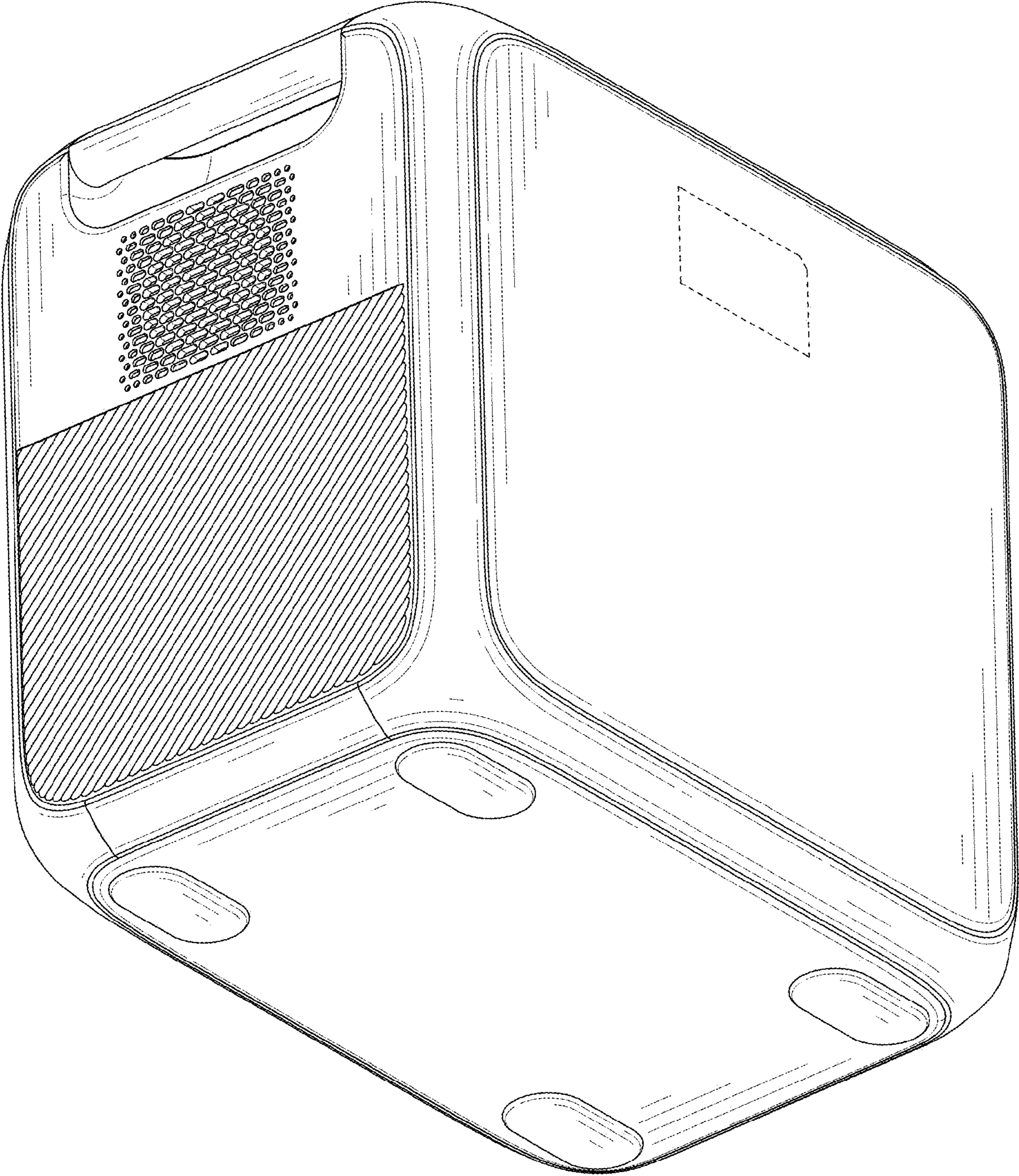


FIG. 2

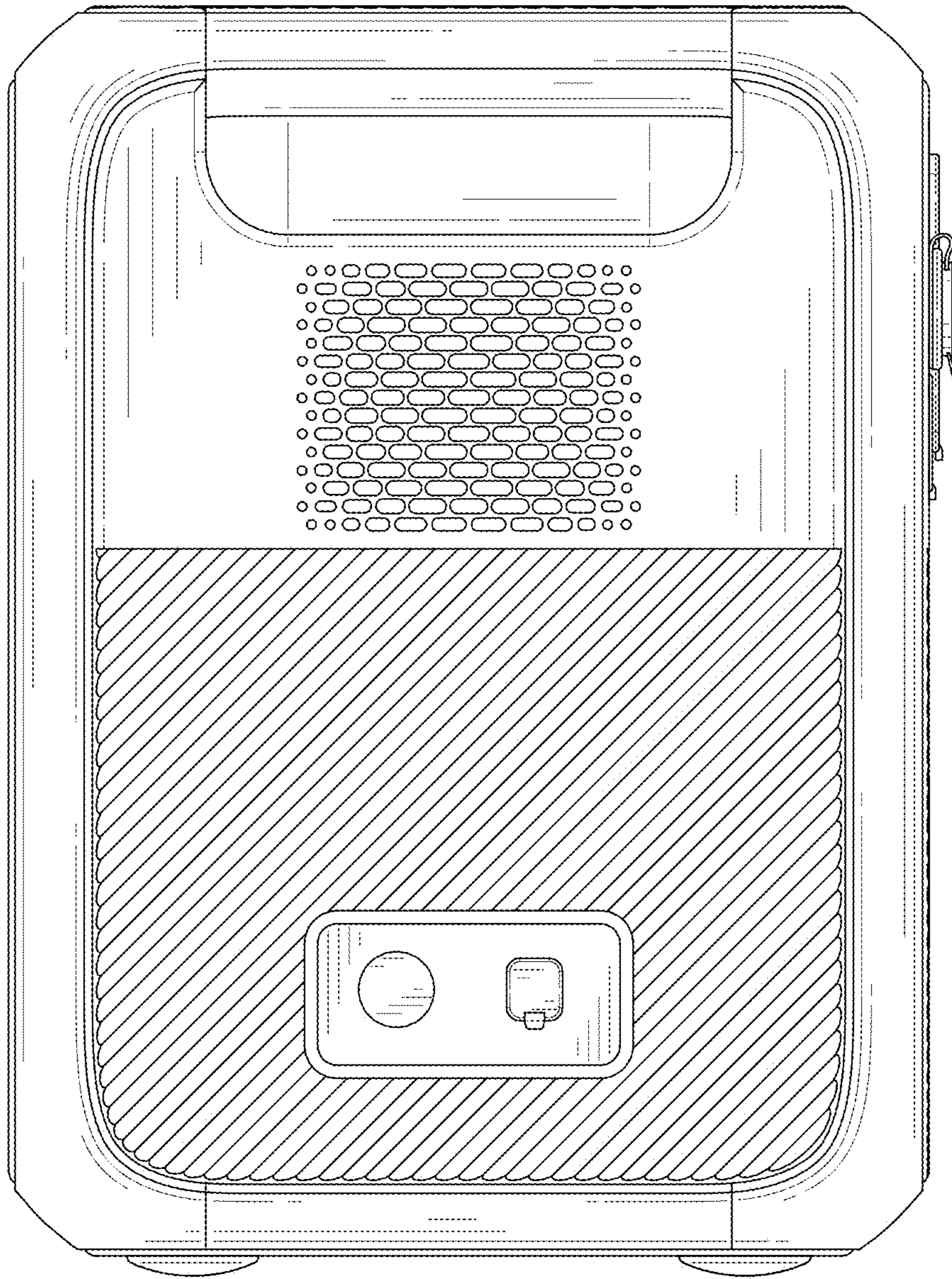


FIG. 3

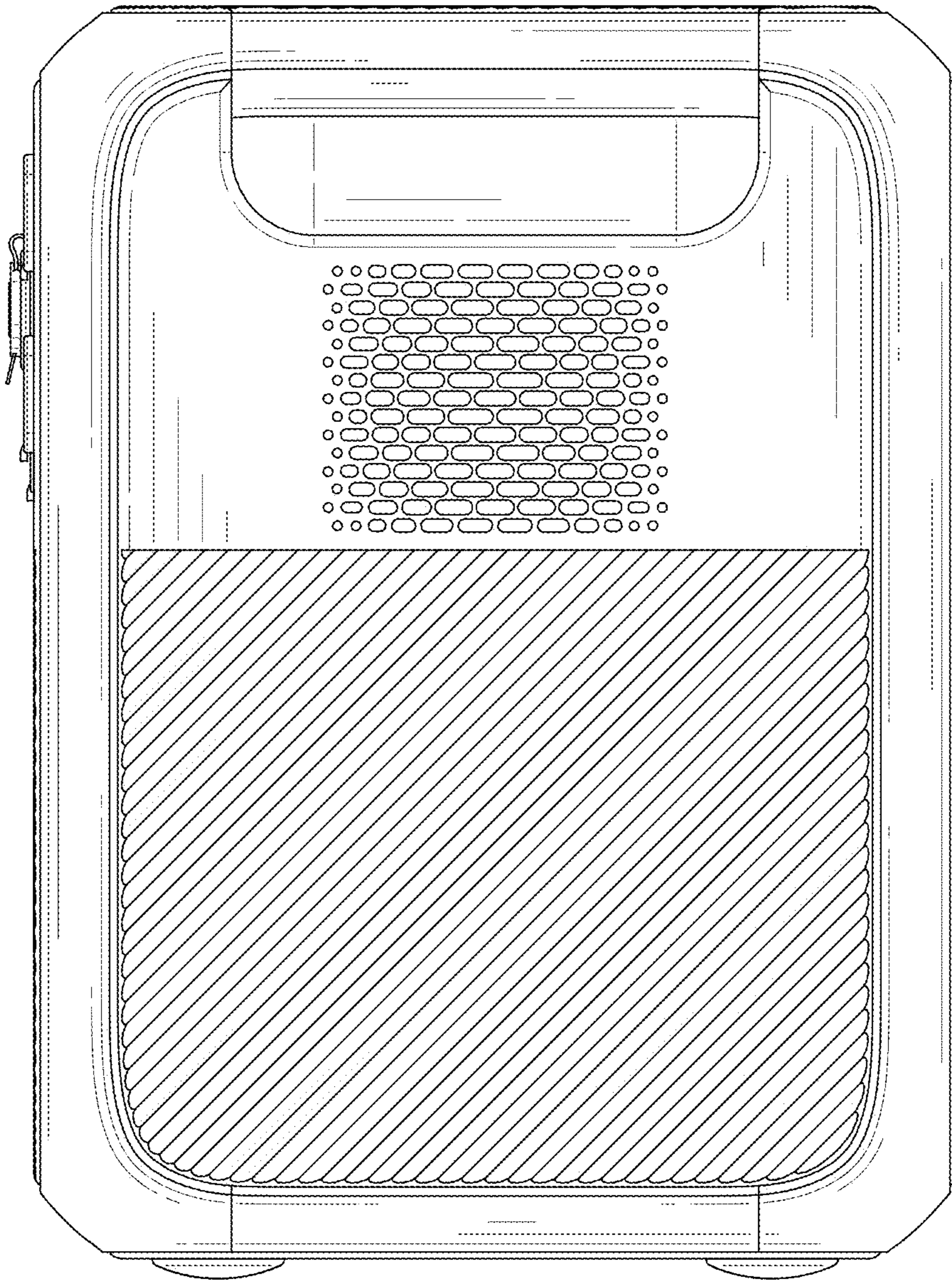


FIG. 4

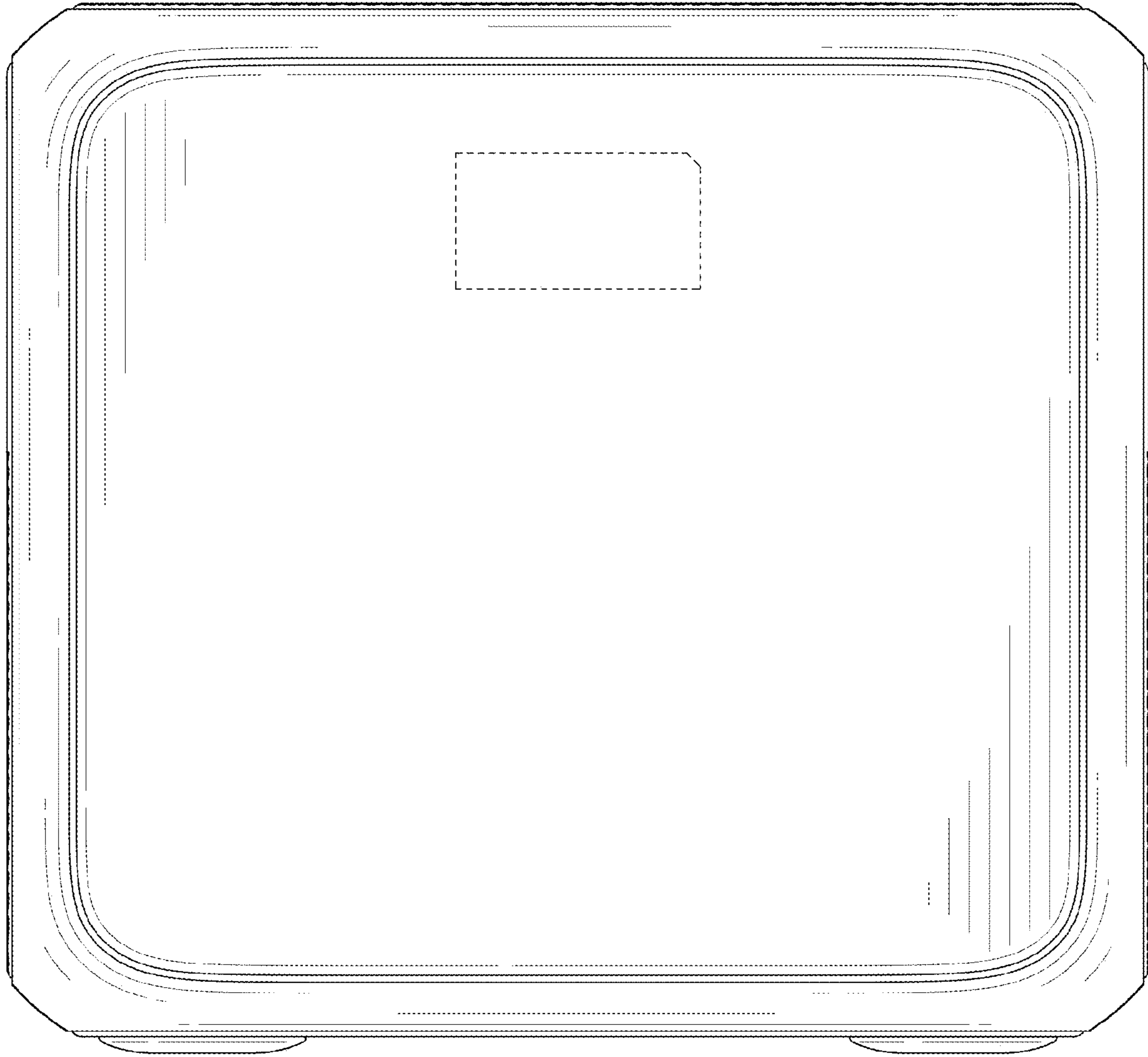


FIG. 5

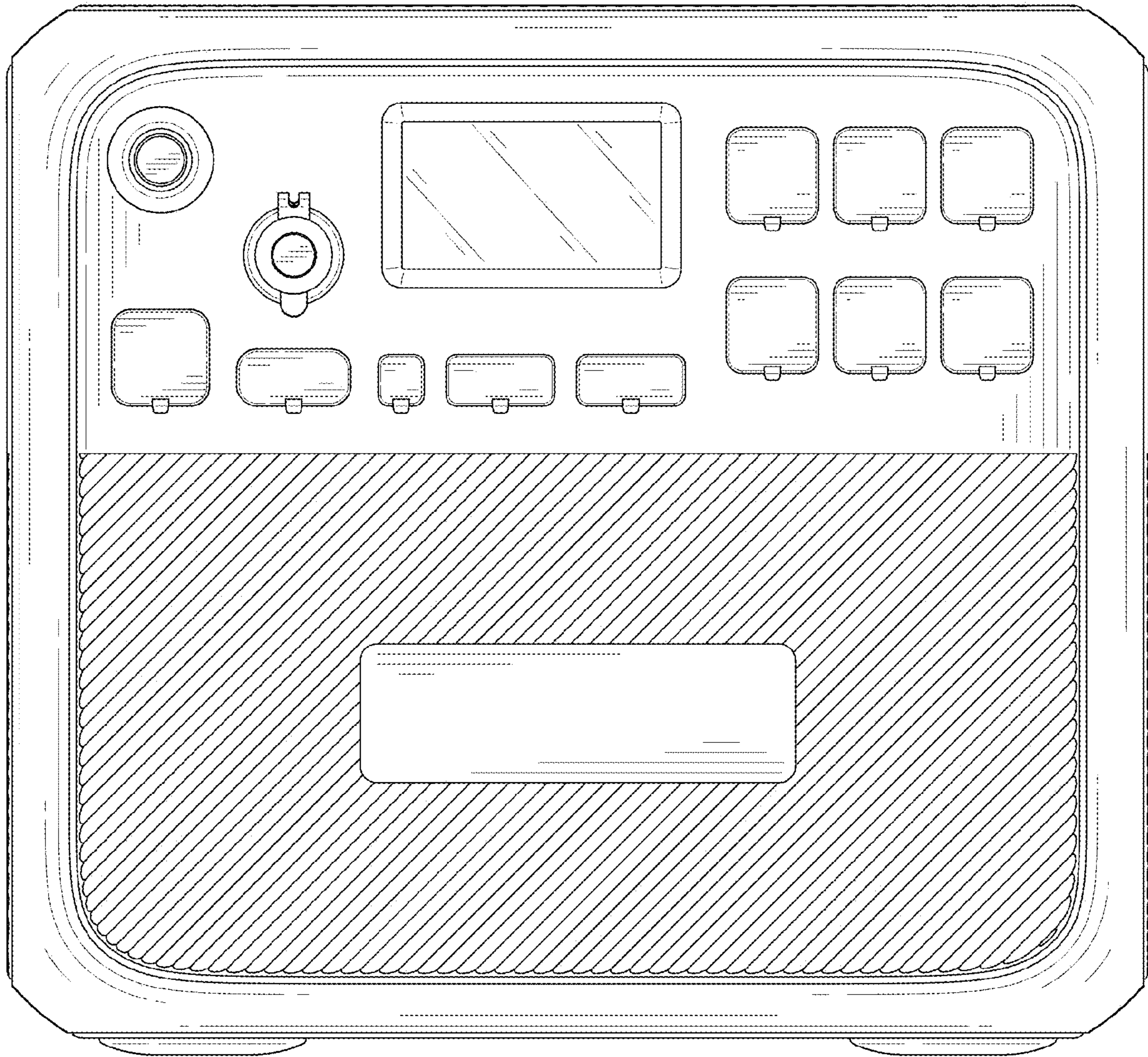


FIG. 6

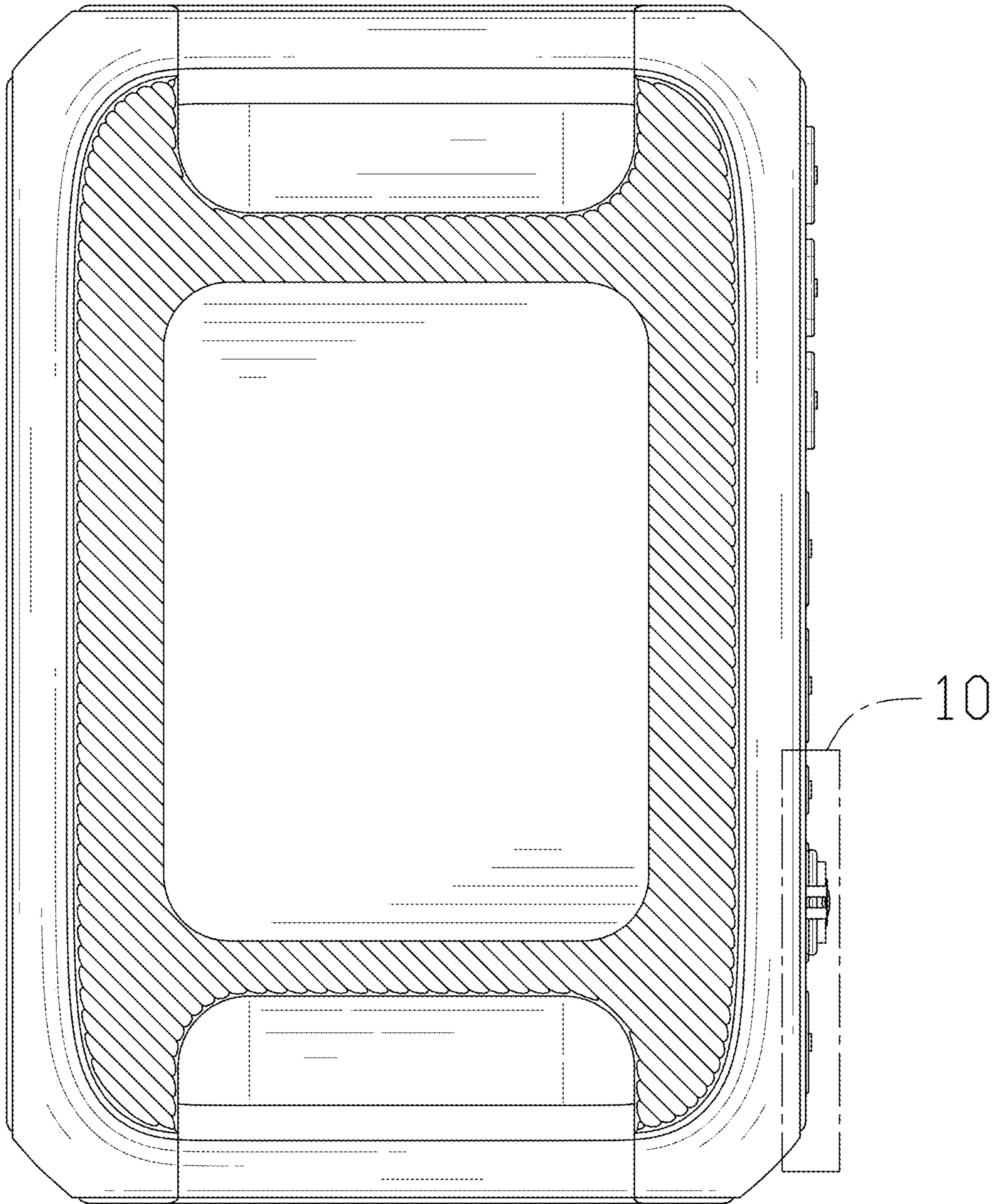


FIG. 7

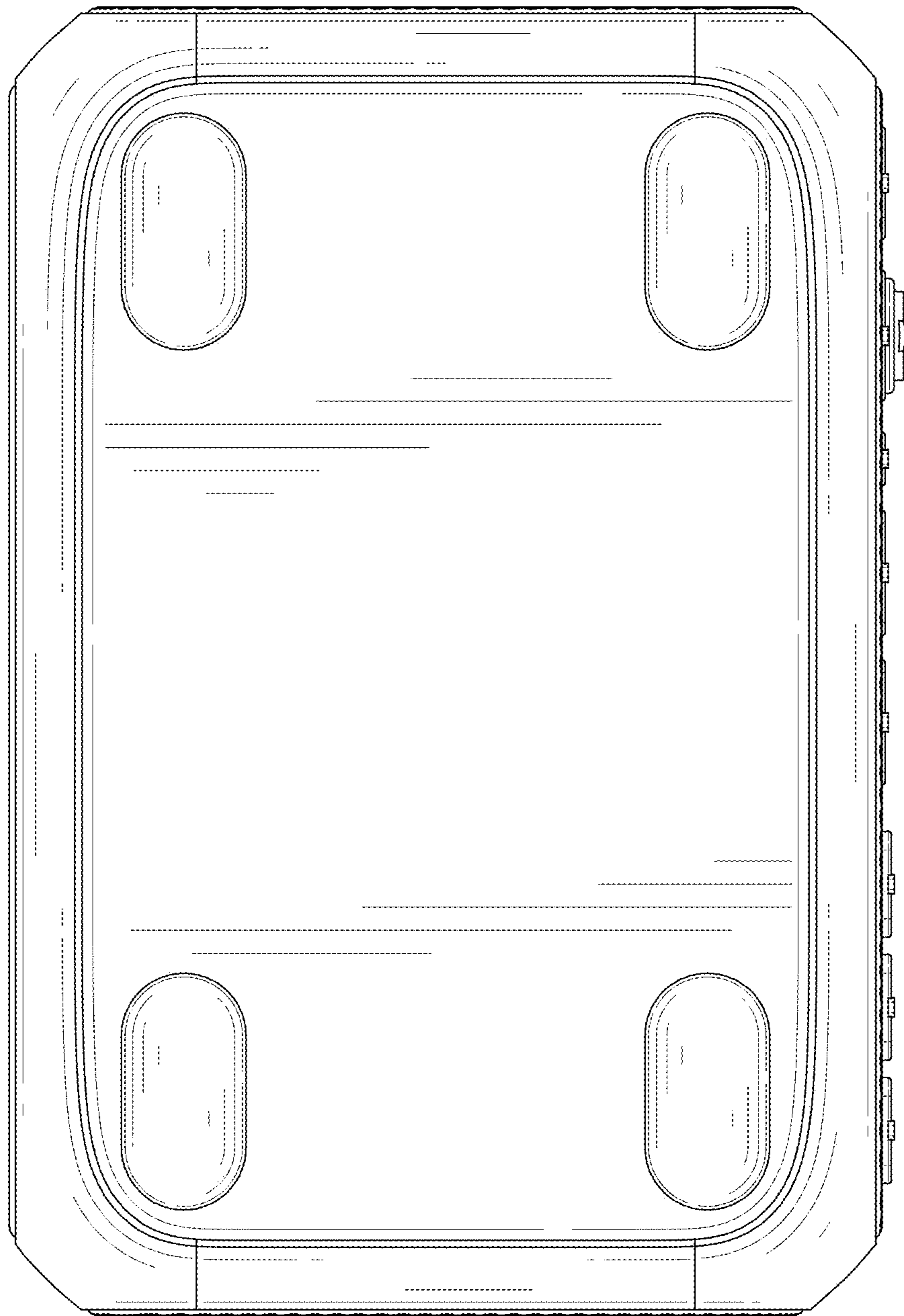


FIG. 8

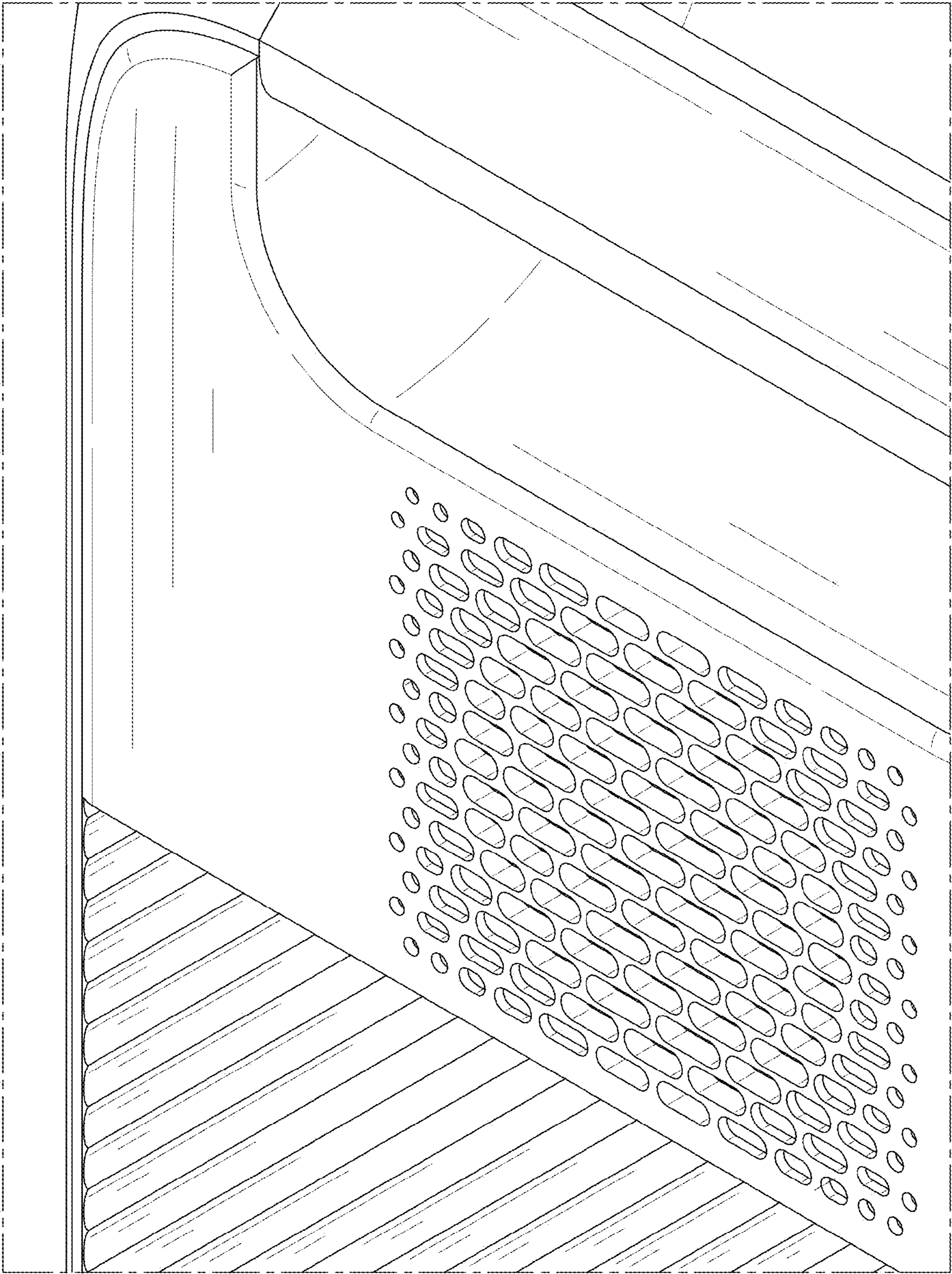


FIG. 9

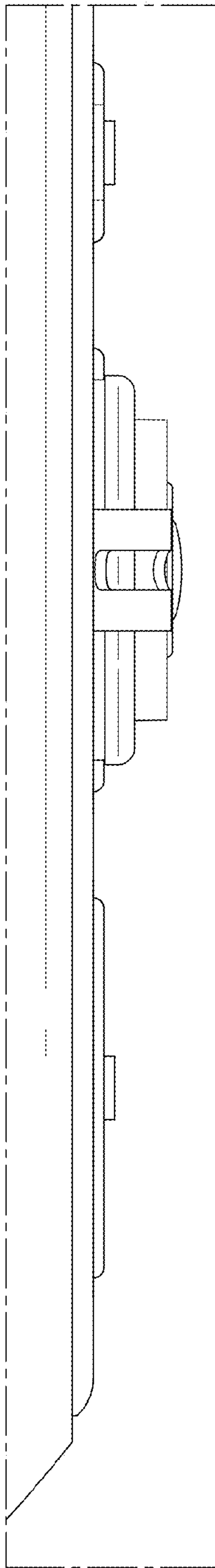


FIG. 10