

US00D929933S

(12) **United States Design Patent** (10) **Patent No.:** **US D929,933 S**
Simonini et al. (45) **Date of Patent:** **** *Sep. 7, 2021**

(54) **TIRE**

FOREIGN PATENT DOCUMENTS

(71) Applicant: **Compagnie Generale des Etablissements Michelin**, Clermont-Ferrand (FR)
(72) Inventors: **Shannon Reeves Simonini**, Greenville, SC (US); **M'hamed Louzri**, Taylors, SC (US); **Philip Blair Webb**, Greenville, SC (US); **Bobby McClellon**, Greer, SC (US)

EM 001922659-0001 9/2011
Primary Examiner — Robert M. Spear
(74) *Attorney, Agent, or Firm* — Neal P. Pierotti

(73) Assignee: **Compagnie Generale des Etablissements Michelin**, Clermont-Ferrand (FR)

(57) **CLAIM**
The ornamental design for a tire, as shown and described.

(*) Notice: This patent is subject to a terminal disclaimer.

(**) Term: **15 Years**

DESCRIPTION

(21) Appl. No.: **29/693,653**

FIG. 1 is a perspective view of a tire of our new design, it being understood that the tread is repeated throughout the circumference of the tire, it being understood that the dashed lines show environmental features of the tire.

(22) Filed: **Jun. 4, 2019**

FIG. 2 is a front view of the embodiment of FIG. 1.

(51) **LOC (13) Cl.** **12-15**

FIG. 3 is a right side view of the embodiment of FIG. 1, the left side view having similarly shaped and sized features as the right side view.

(52) **U.S. Cl.**

USPC **D12/588**

FIG. 4 is a cross-sectional view taken along line 4-4 of FIG. 1.

(58) **Field of Classification Search**

USPC D12/581, 586, 587, 588, 589, 590, 594, D12/595, 600, 601

FIG. 5 is a cross-sectional view taken along line 5-5 of FIG. 2.

CPC B60C 11/032; B60C 11/0388

See application file for complete search history.

FIG. 6 is a perspective view of a second embodiment of a tire of our new design, it being understood that the tread is repeated throughout the circumference of the tire.

FIG. 7 is a front view of the embodiment of FIG. 6.

FIG. 8 is a right side view of the embodiment of FIG. 6, the left side view having similarly shaped and sized features as the right side view.

(56) **References Cited**

U.S. PATENT DOCUMENTS

D554,576 S * 11/2007 Suzuki D12/588
D613,239 S * 4/2010 Harvey D12/588
D669,421 S * 10/2012 Stuckey D12/588
D676,373 S 2/2013 Bachtel
D727,251 S 4/2015 Zhu

FIG. 9 is a cross-sectional view taken along line 9-9 of FIG. 7.

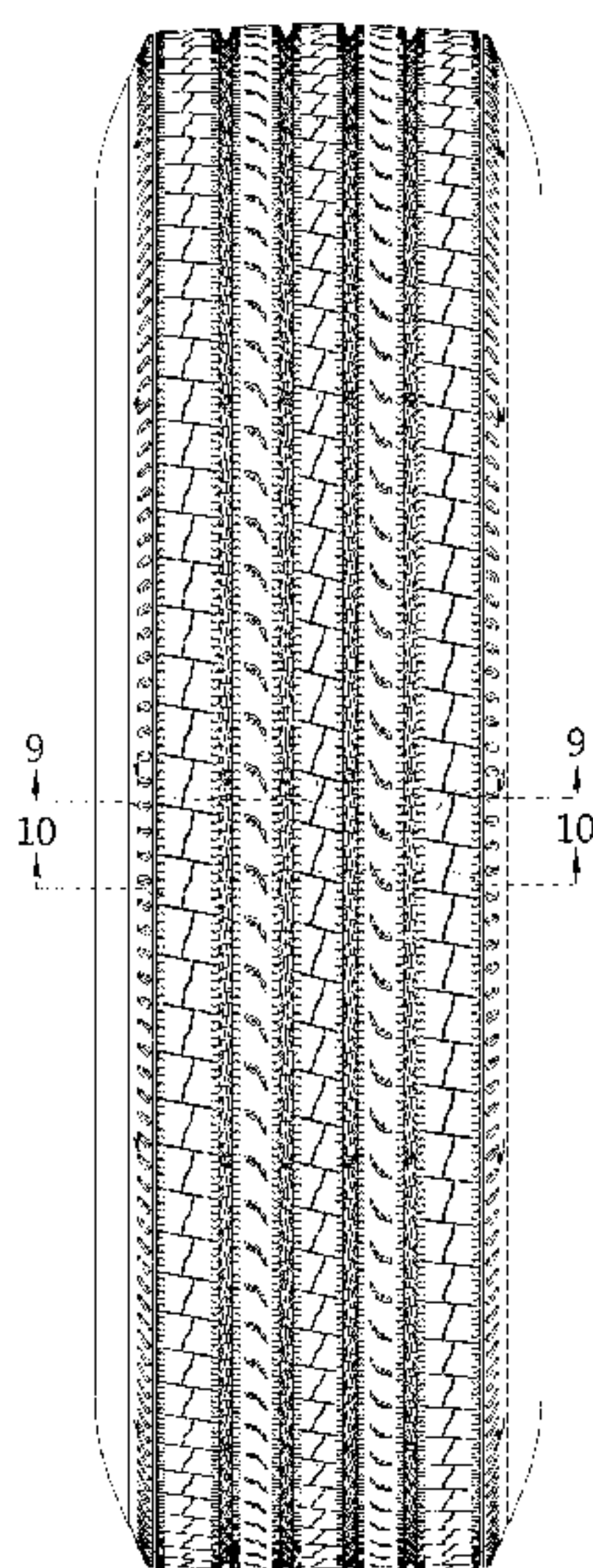
FIG. 10 is a cross-sectional view taken along line 10-10 of FIG. 7; and,

FIG. 11 is a close up view of a portion of the tread of FIG. 7 that shows some of the tread features in more detail, it being understood that the tread continues on above and below the dashed and dotted lines.

The dashed lines in the drawings denote environmental subject matter and do not form part of the following claim.

(Continued)

1 Claim, 11 Drawing Sheets



(56)

References Cited

U.S. PATENT DOCUMENTS

D736,146 S	8/2015	Rolland	
D747,261 S	1/2016	Barrett	
D757,639 S *	5/2016	Hamanaka	D12/584
D781,222 S *	3/2017	Fontaine	D12/588
D787,431 S *	5/2017	Huang	D12/588
D832,774 S *	11/2018	Dieng	D12/553
D894,107 S *	8/2020	Takahashi	D12/584

* cited by examiner

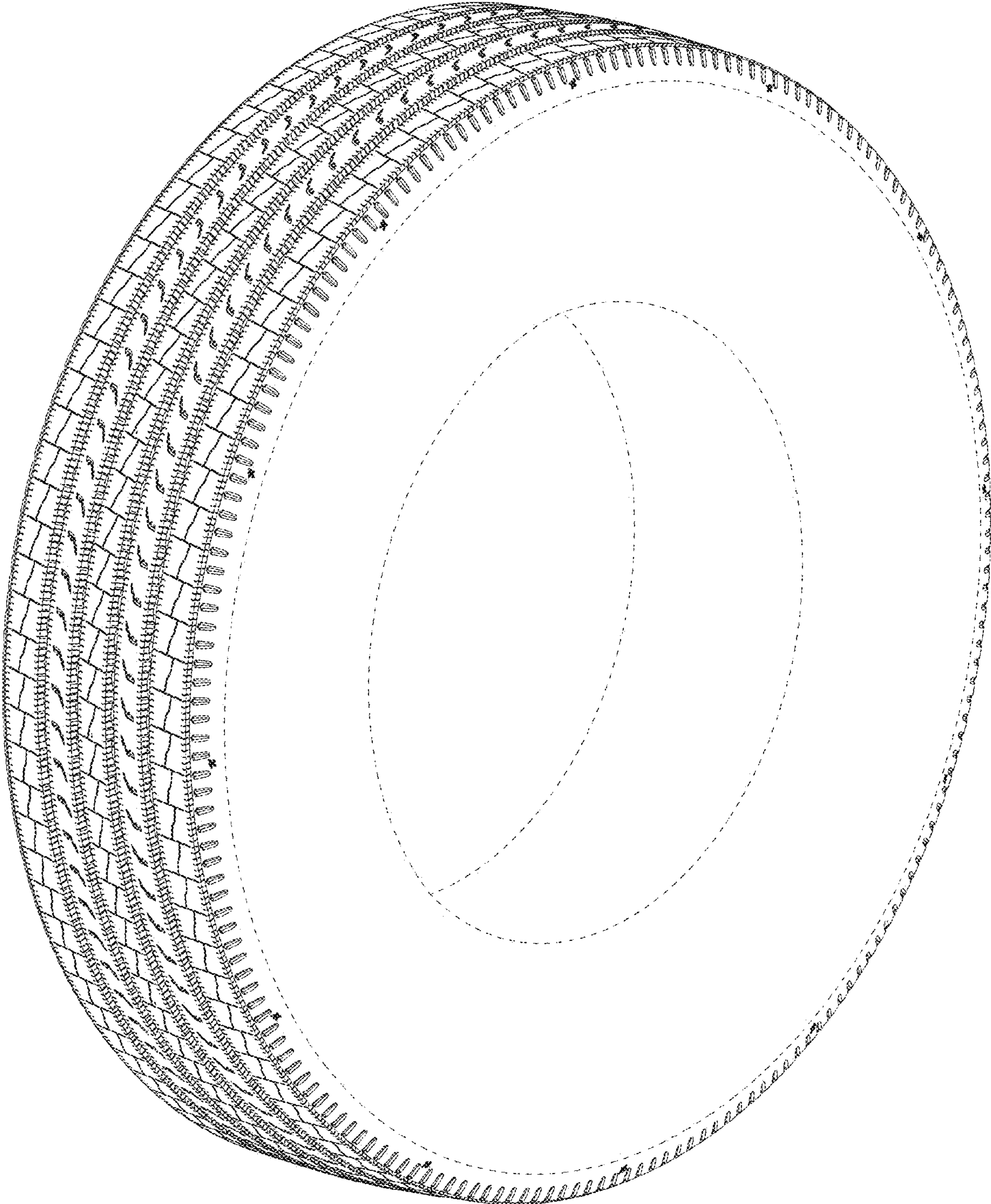


FIG. 1

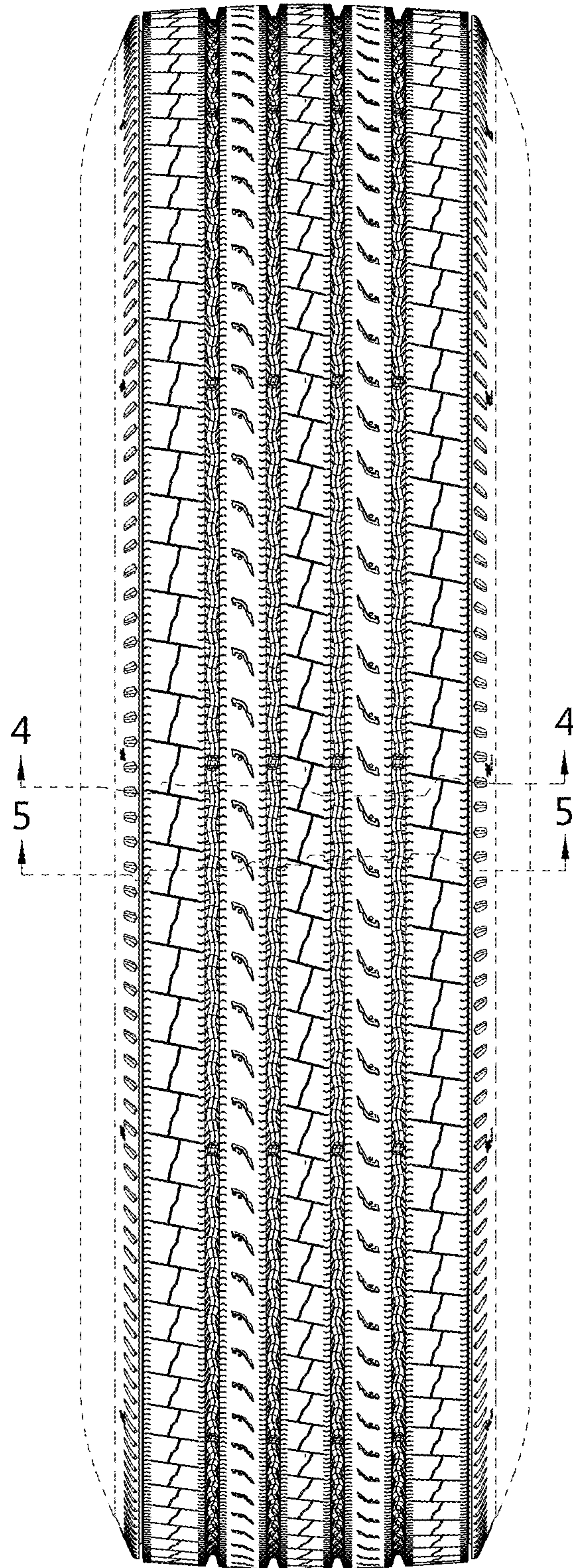


FIG.2

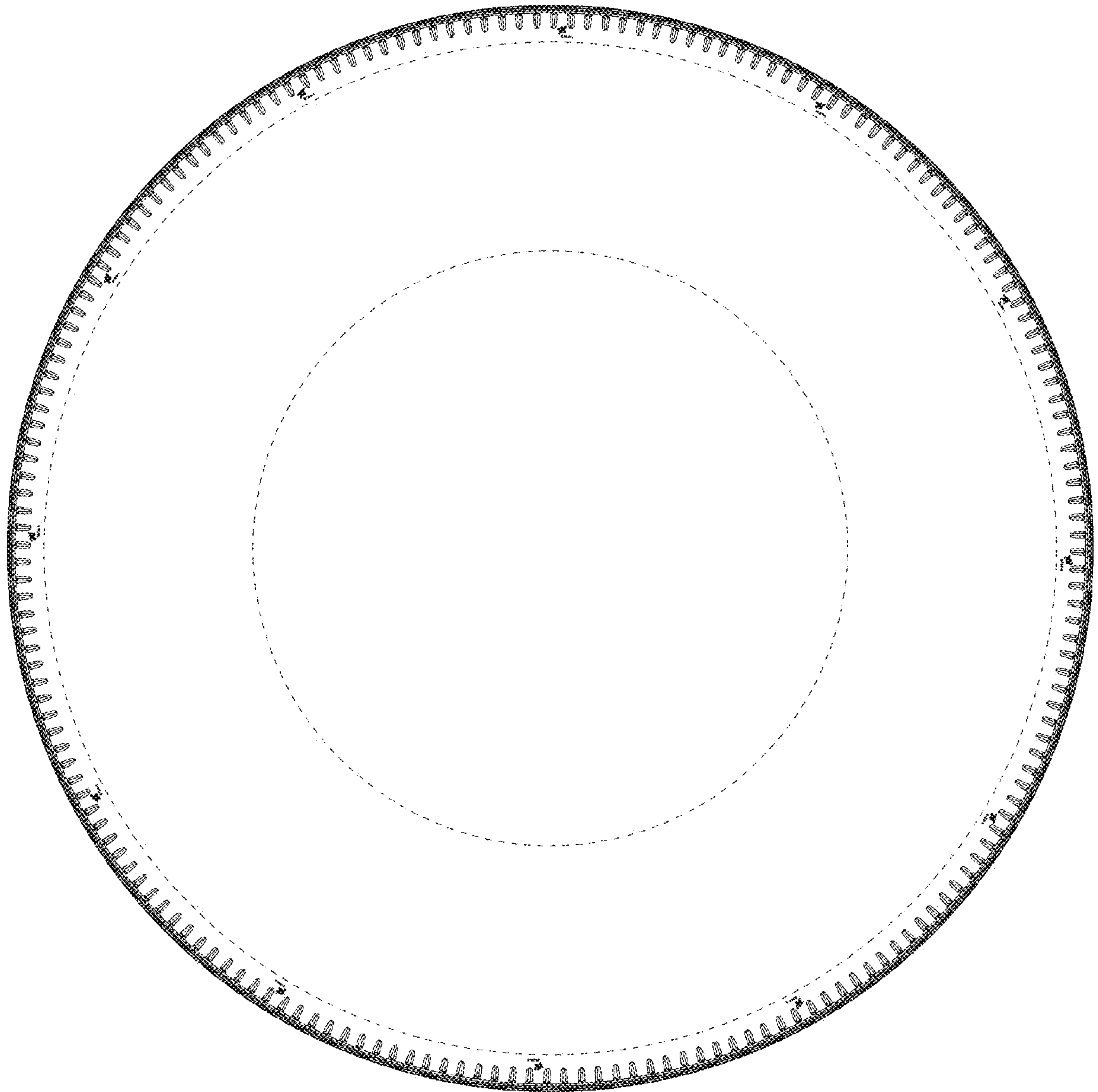


FIG. 3

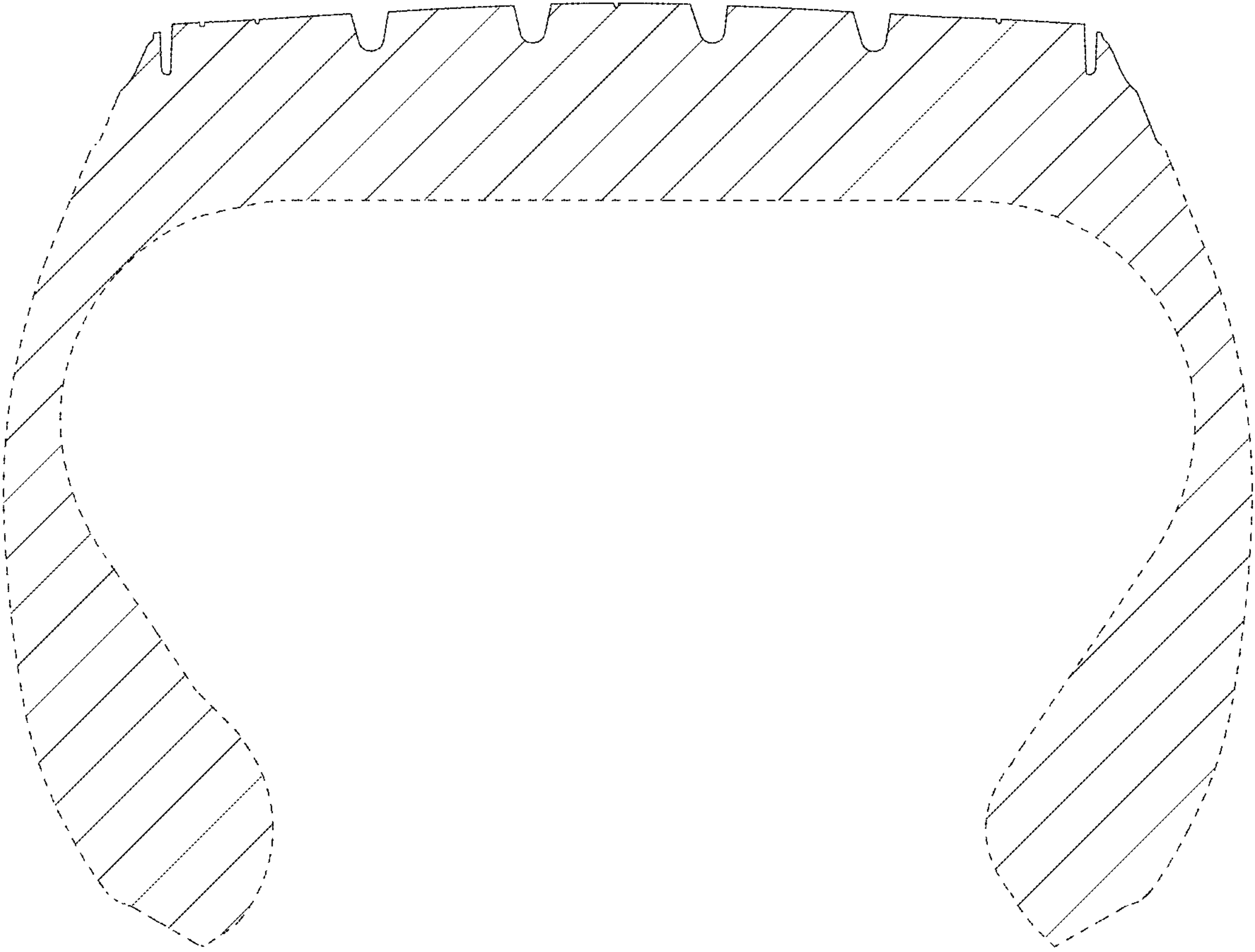


FIG.4

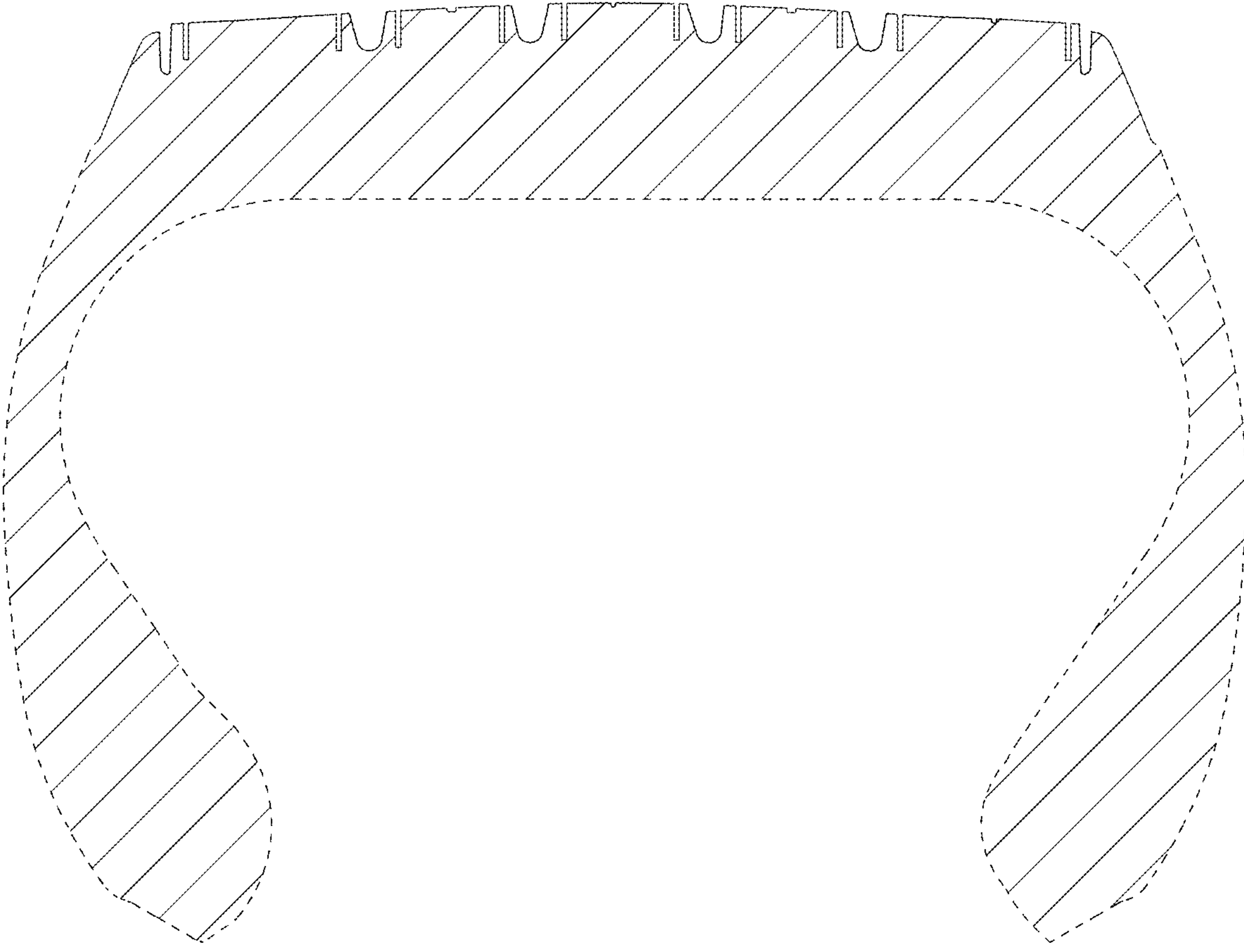


FIG.5

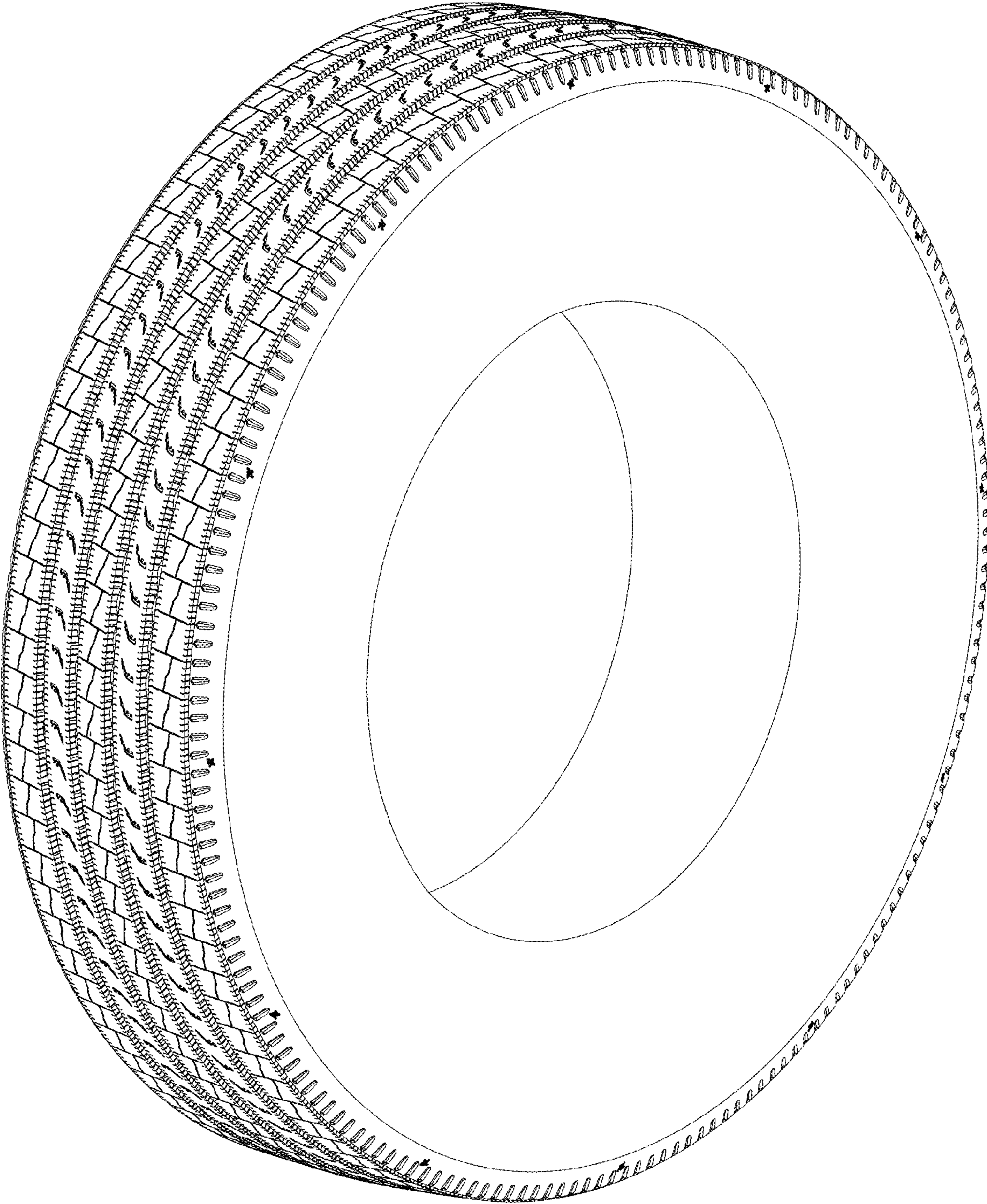


FIG.6

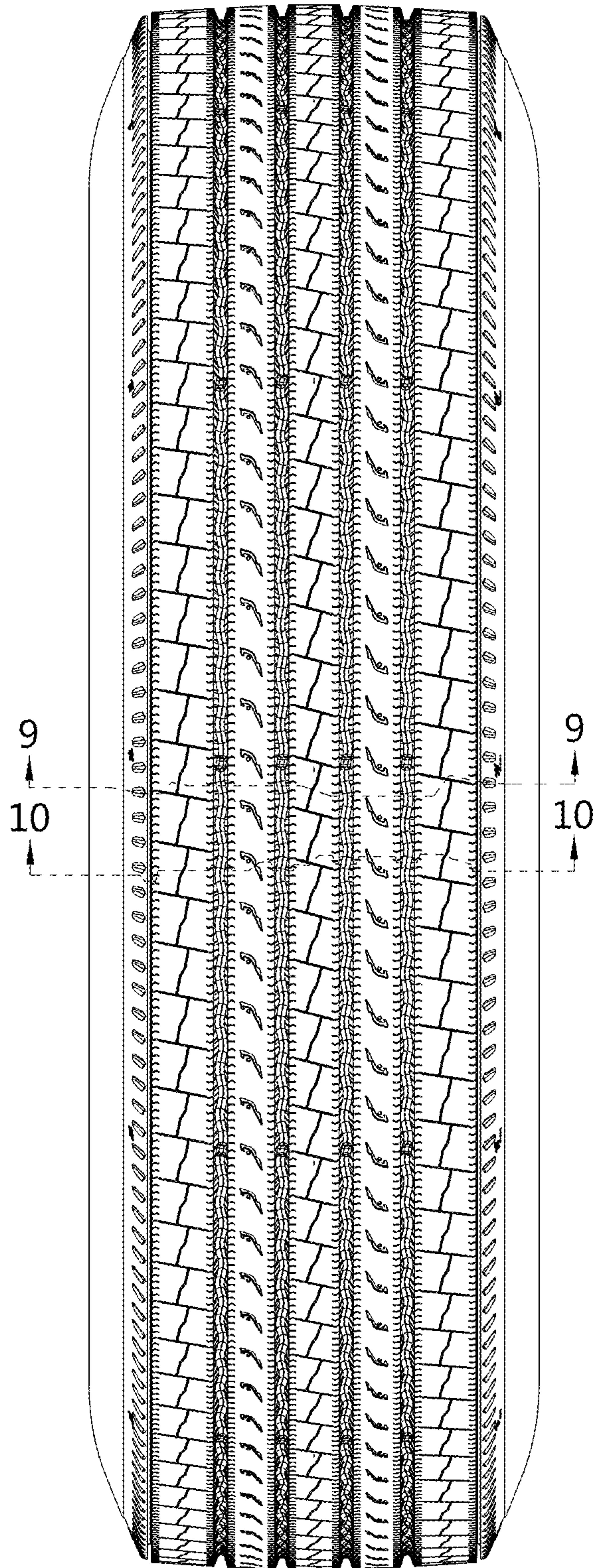


FIG.7

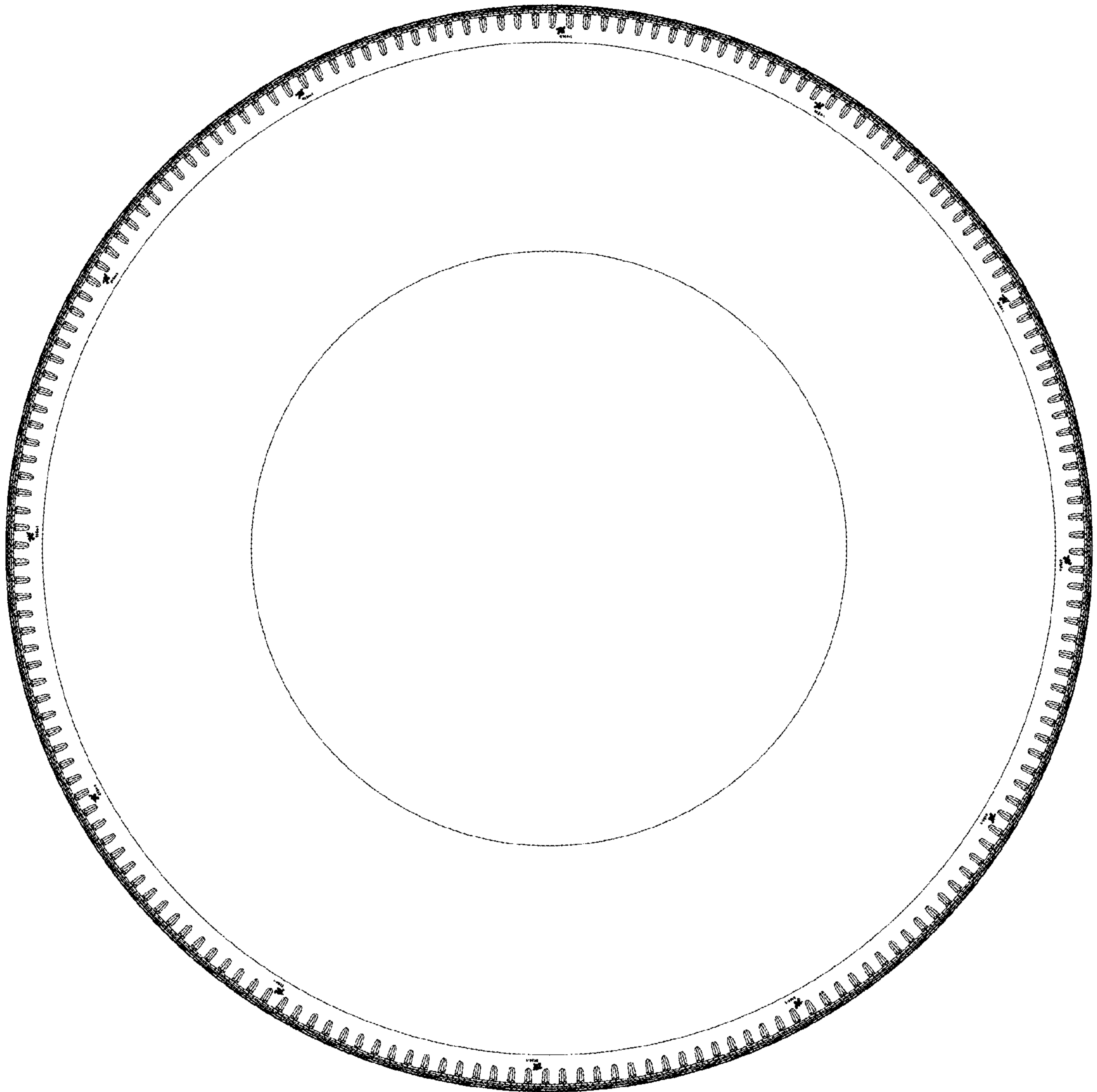


FIG.8

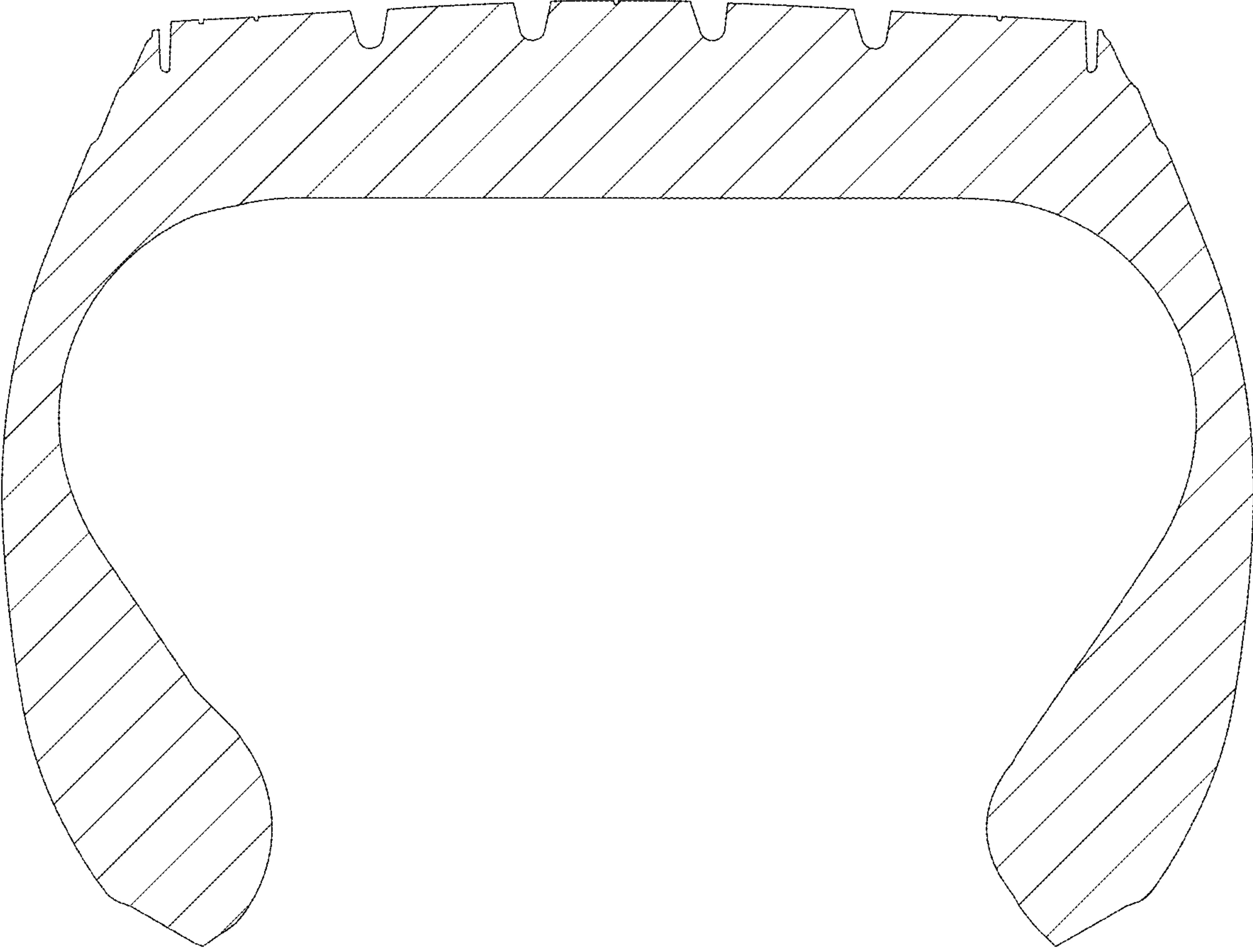


FIG.9

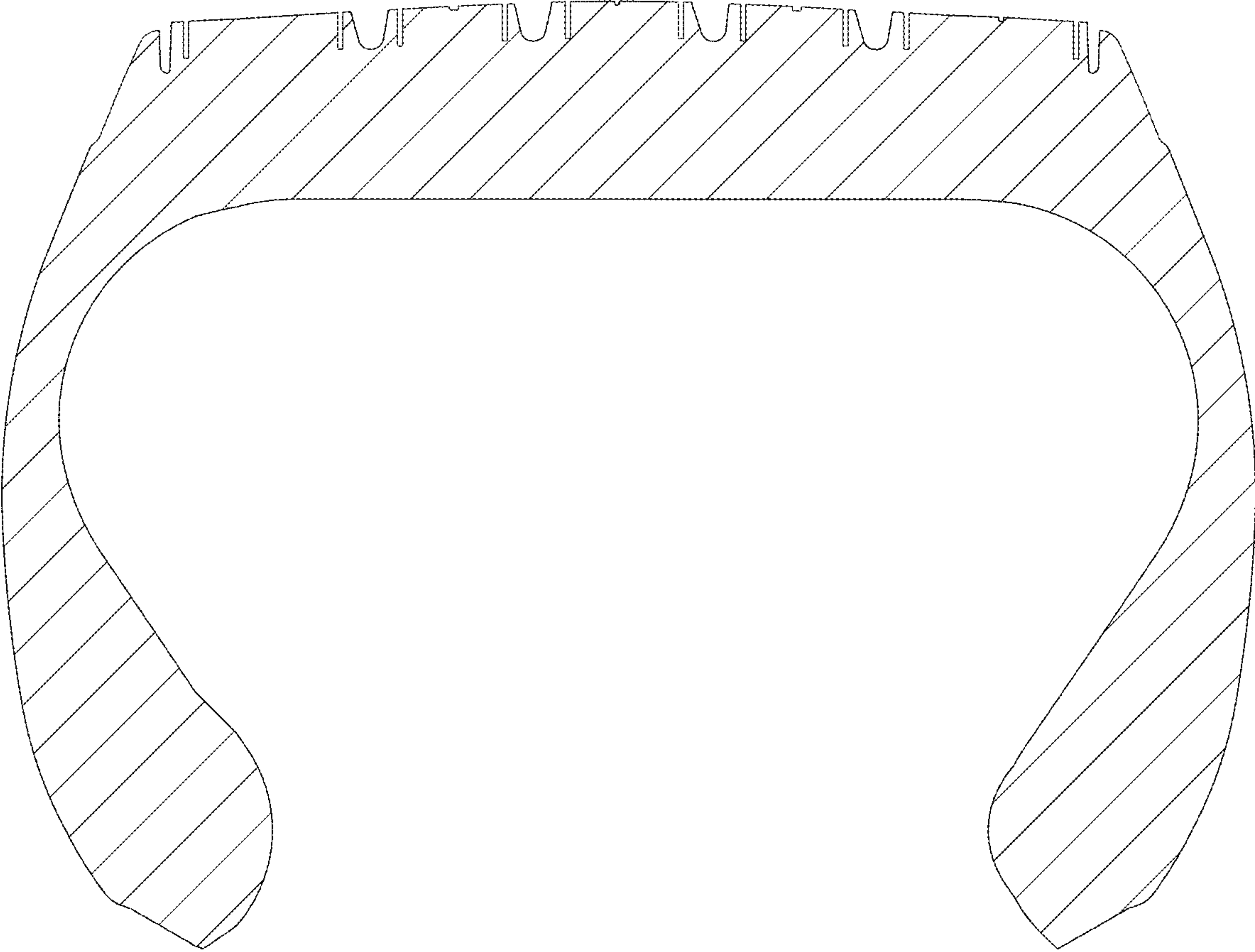


FIG.10

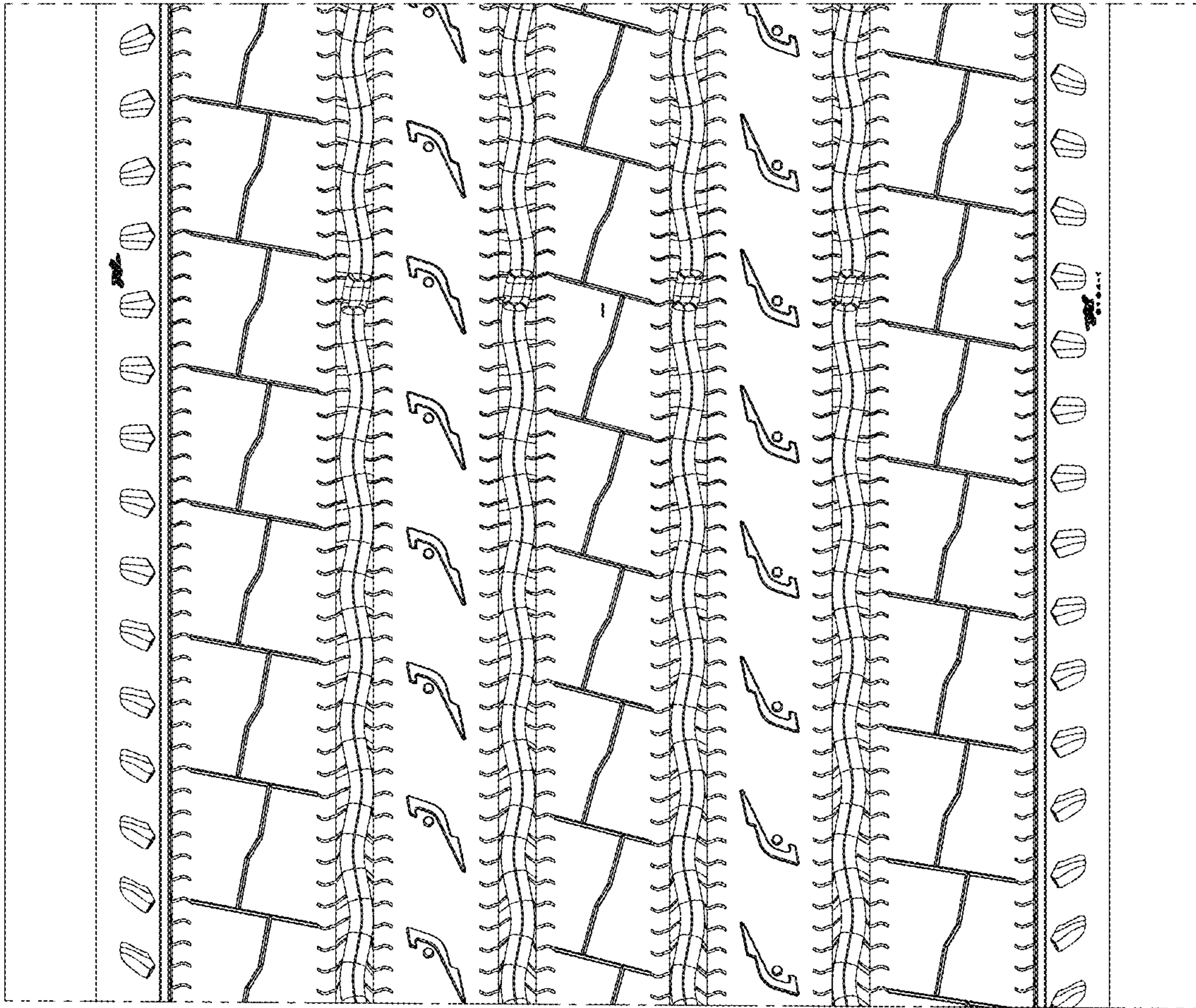


FIG.11