



US00D929932S

(12) **United States Design Patent** (10) **Patent No.:** **US D929,932 S**
Scott et al. (45) **Date of Patent:** **** Sep. 7, 2021**

(54) **AUTOMOBILE INTERIOR**

(56) **References Cited**

(71) Applicants: **Everard Scott**, Sterling Heights, MI (US); **Stephen P. Leu**, Detroit, MI (US); **Ryan C. Nagode**, West Bloomfield, MI (US); **Jeffrey C. Gale**, Rochester, MI (US)

U.S. PATENT DOCUMENTS

D637,539 S	5/2011	Welch et al.	
D641,675 S	7/2011	Kim et al.	
D835,567 S *	12/2018	Gaudreau	D12/415
D840,325 S *	2/2019	Sandys	D12/415
D856,902 S *	8/2019	Hill	D12/415
D918,123 S *	5/2021	Manzoni	D12/415

(72) Inventors: **Everard Scott**, Sterling Heights, MI (US); **Stephen P. Leu**, Detroit, MI (US); **Ryan C. Nagode**, West Bloomfield, MI (US); **Jeffrey C. Gale**, Rochester, MI (US)

* cited by examiner

Primary Examiner — Abraham Bahta

(74) *Attorney, Agent, or Firm* — Ralph E. Smith

(73) Assignee: **FCA US LLC**, Auburn Hills, MI (US)

(**) Term: **15 Years**

(57) **CLAIM**

(21) Appl. No.: **29/726,536**

The ornamental design for an automobile interior, as shown and described.

(22) Filed: **Mar. 4, 2020**

(51) **LOC (13) Cl.** **12-16**

DESCRIPTION

(52) **U.S. Cl.**

USPC **D12/415**

(58) **Field of Classification Search**

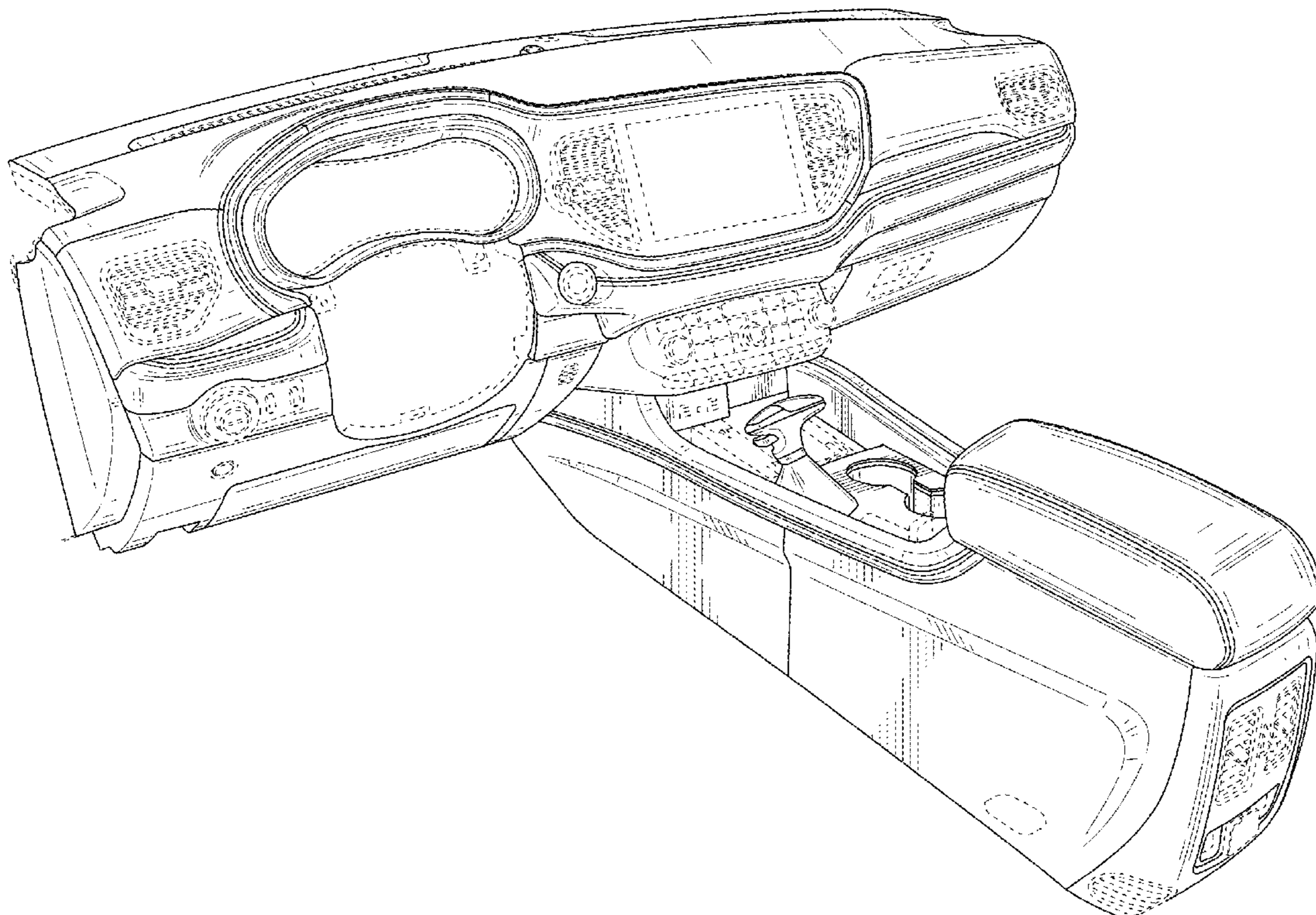
USPC D12/415-420, 400, 195, 191, 106, 345, D12/96, 99, 192, 190, 110, 114; D14/157, 485, 489, 492, 488, 490, 210, D14/224.1, 258, 315; 296/24.3, 37.12, 296/97.1, 37.18; D10/12-127, 192; D21/477; 362/492

FIG. 1 is a right side perspective view of an automobile interior showing our new design; FIG. 2 is a left side perspective view thereof; FIG. 3 is a front view thereof; FIG. 4 is a left side view thereof; FIG. 5 is a right side view thereof; and, FIG. 6 is a top view thereof.

It will be understood that the broken lines shown in the drawings illustrate portions of the automobile interior that form no part of the claimed design.

CPC B60R 7/04; B60R 7/06; B60R 7/08; B60R 21/045; B60R 2300/305; B60K 37/00; B60K 37/02; B60K 37/04; B60K 37/06
See application file for complete search history.

1 Claim, 6 Drawing Sheets



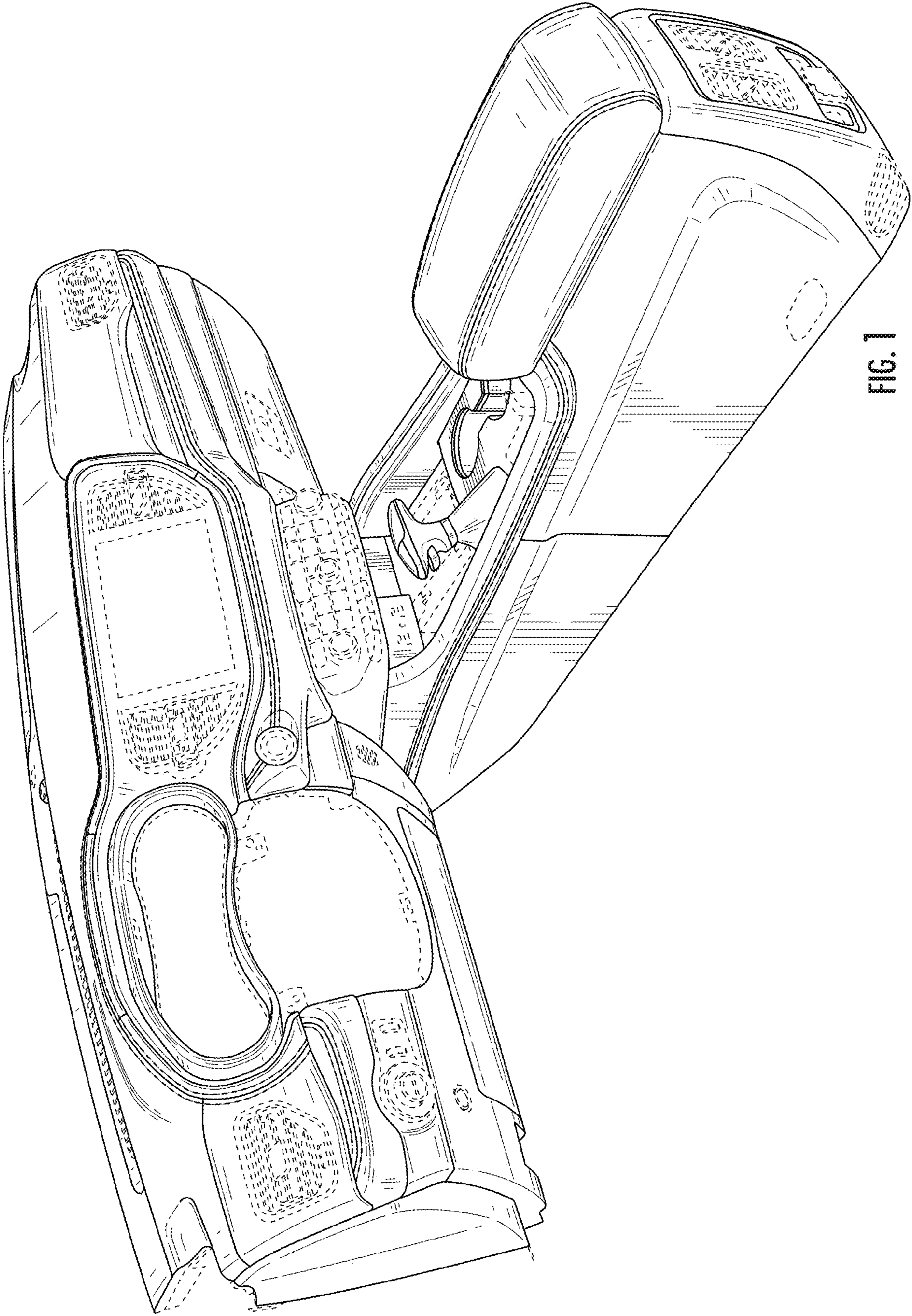


FIG. 1

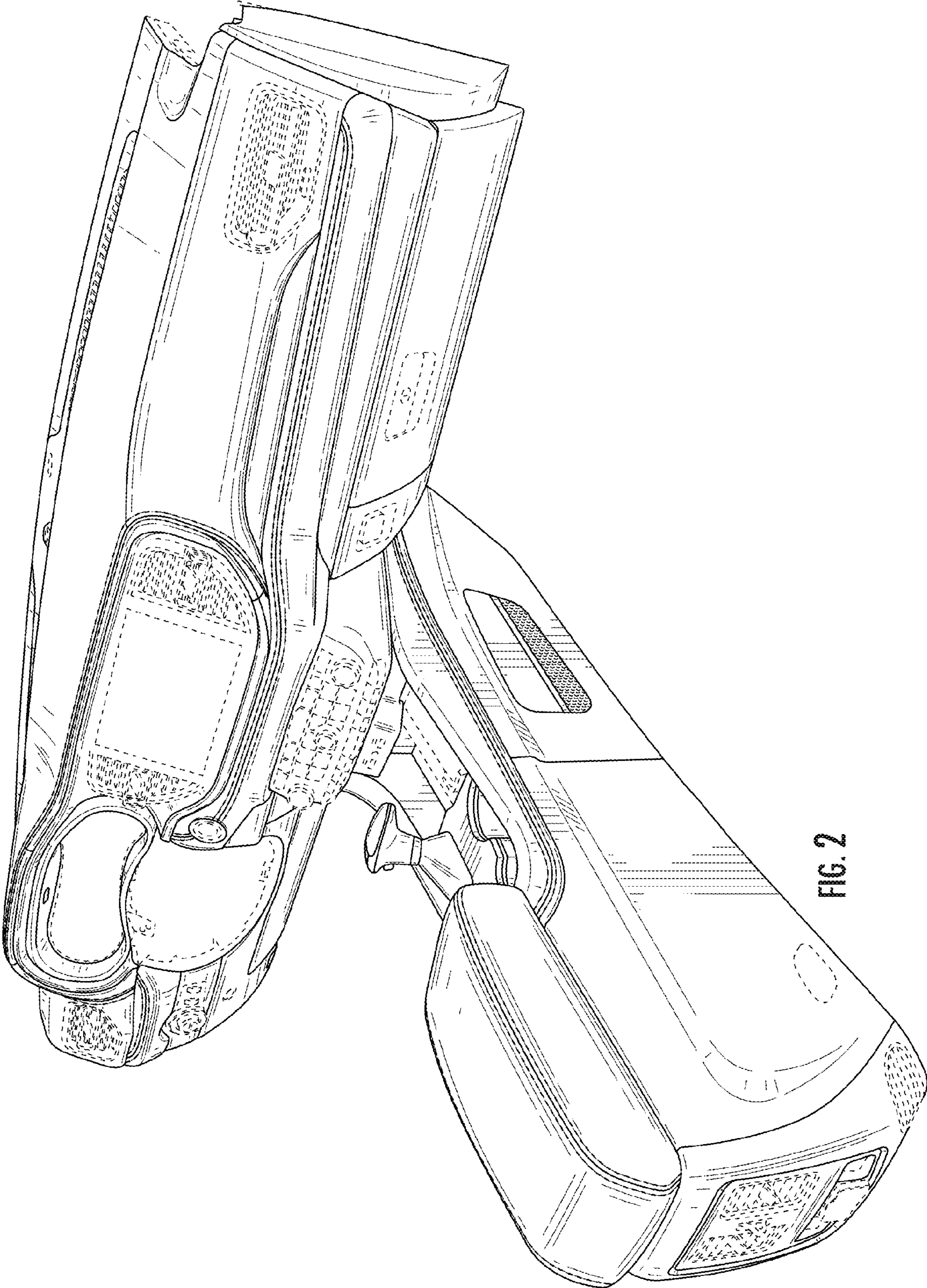


FIG. 2

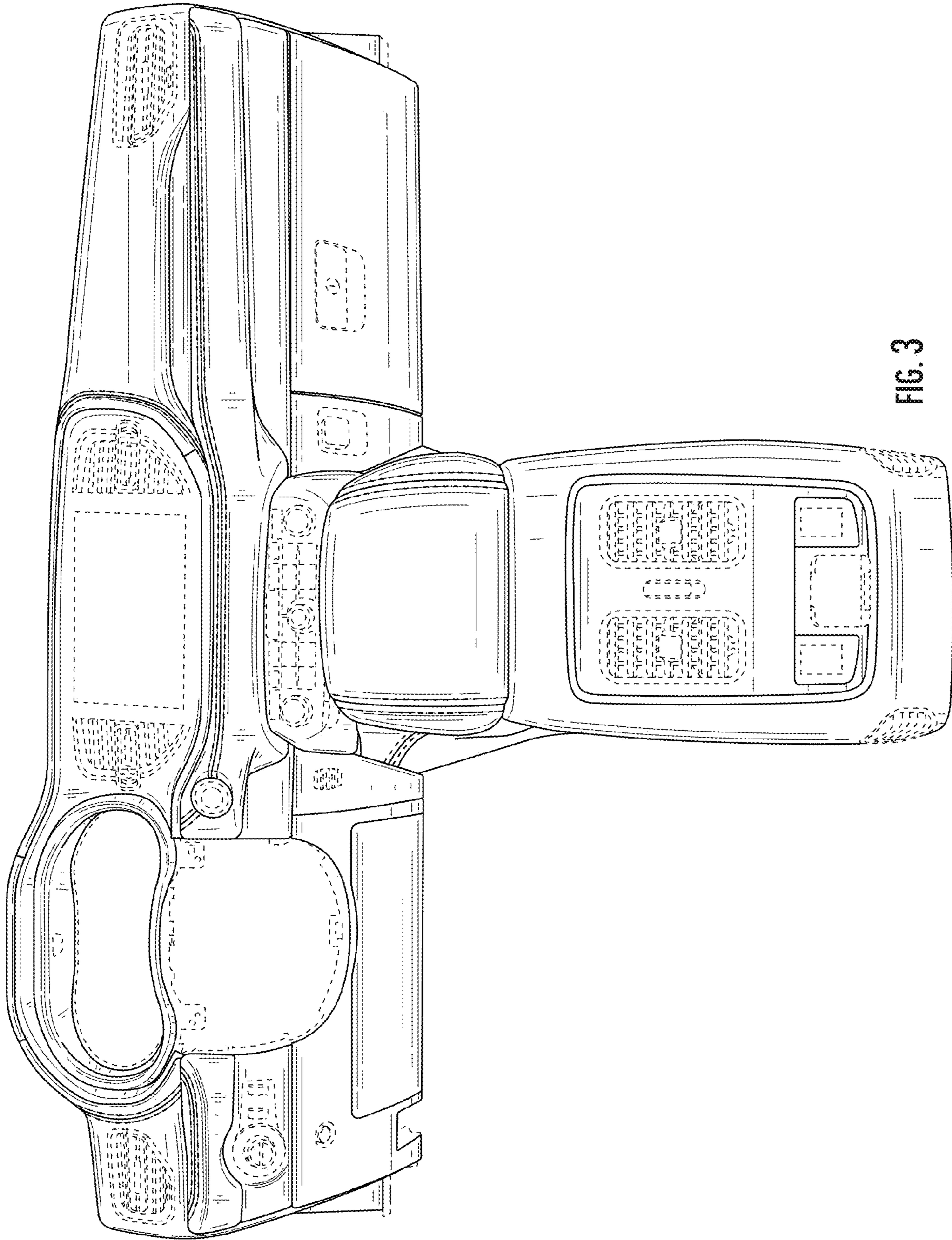


FIG. 3

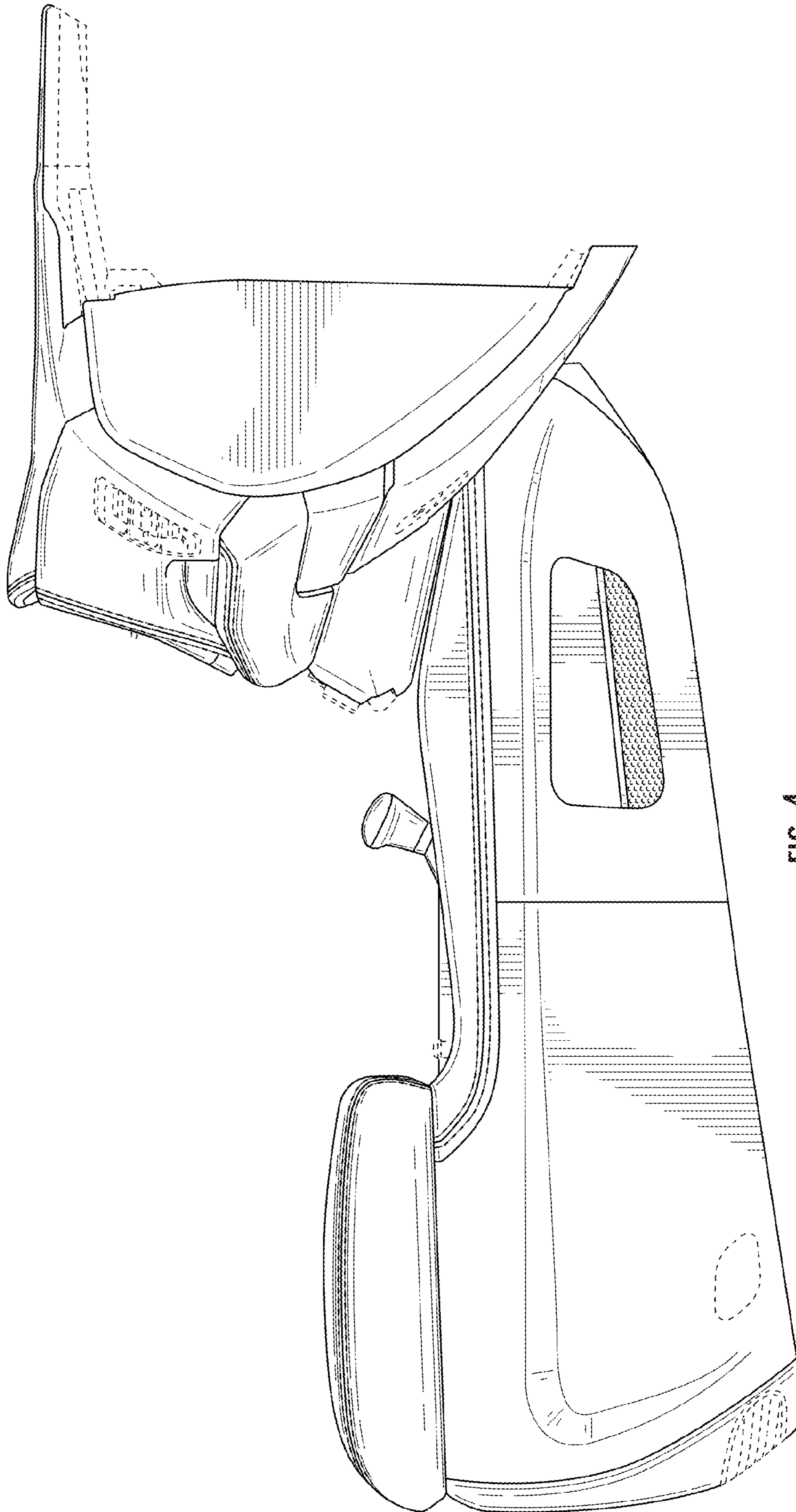


FIG. 4

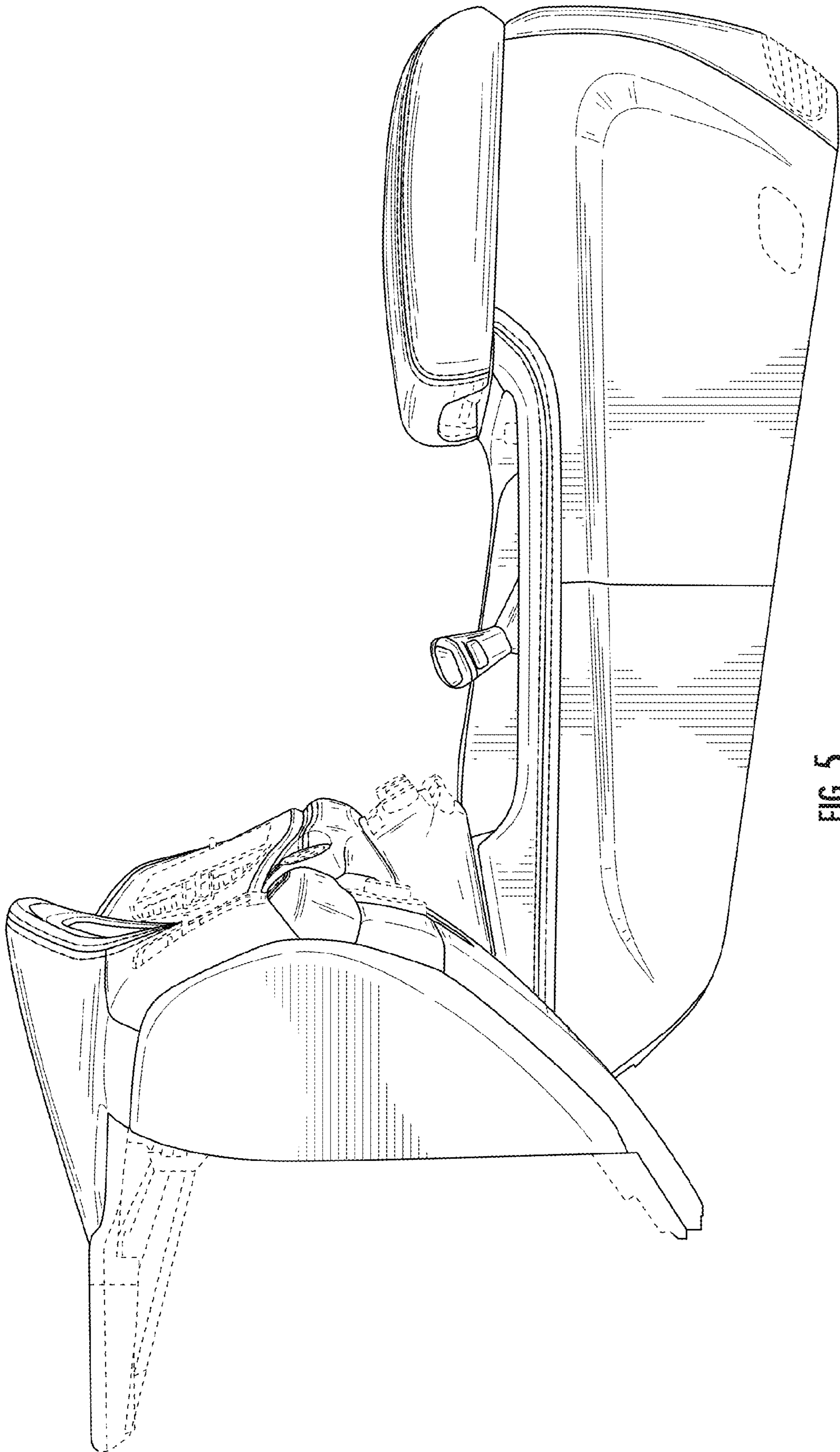


FIG. 5

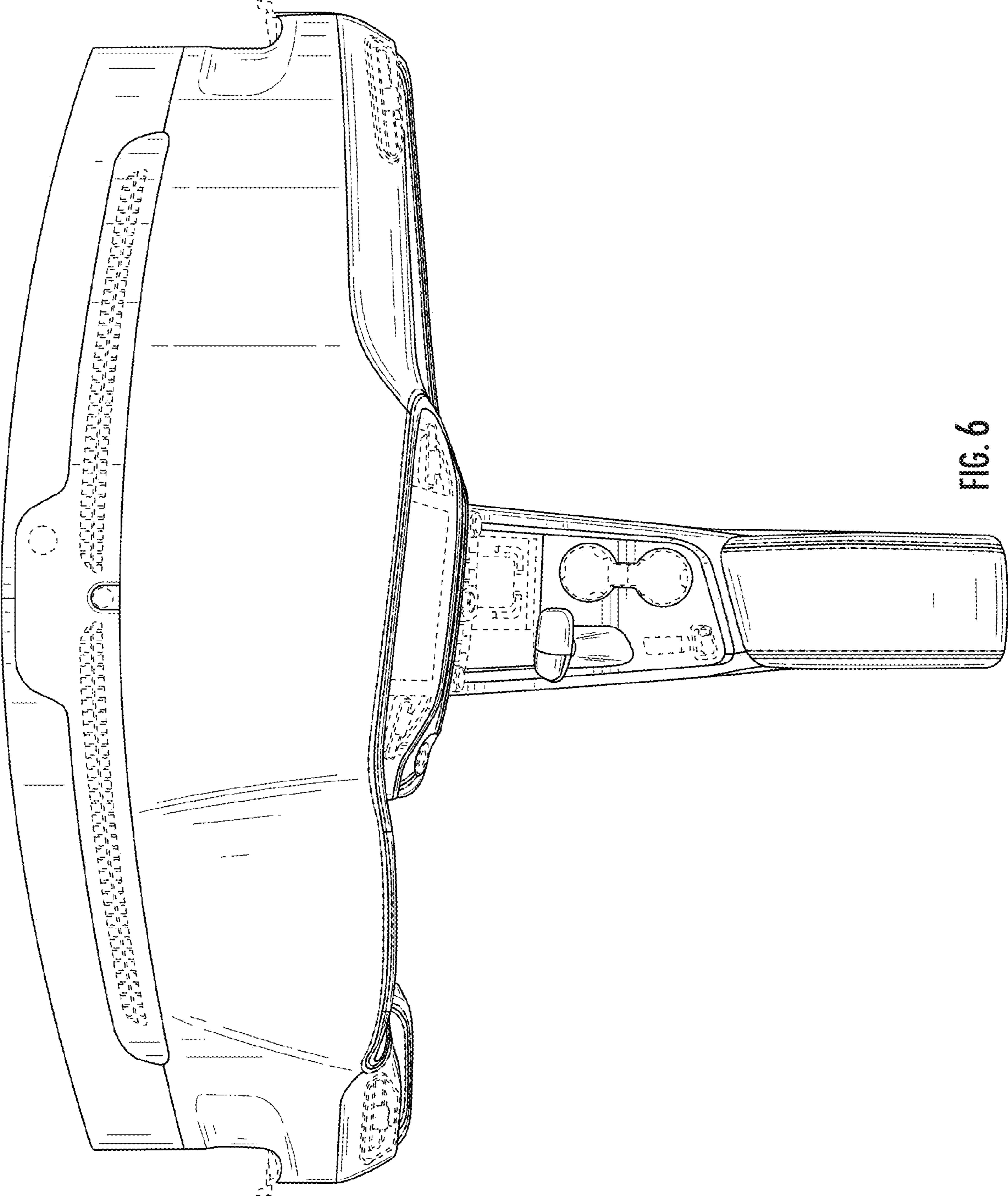


FIG. 6