



US00D929931S

(12) **United States Design Patent** (10) **Patent No.:** **US D929,931 S**
Wang (45) **Date of Patent:** **** Sep. 7, 2021**

- (54) **SKI RACK** 10,479,284 B1 * 11/2019 Salyer B60R 9/06
 D890,685 S * 7/2020 Chen D12/406
 D919,549 S * 5/2021 Westcott D12/406
 2010/0176170 A1 * 7/2010 O'Hare B60R 9/06
 224/519
 2015/0115010 A1 * 4/2015 Ziola B60R 9/10
 224/549
 2017/0225599 A1 * 8/2017 Russo B60D 1/58
 2019/0077329 A1 * 3/2019 Sablatura B60R 9/06

(**) Term: **15 Years**

* cited by examiner

(21) Appl. No.: **29/716,758**

Primary Examiner — Katrina A Betton

(22) Filed: **Dec. 11, 2019**

(74) *Attorney, Agent, or Firm* — Che-Yang Chen; Law Office of Michael Chen

(51) **LOC (13) Cl.** **12-16**

(52) **U.S. Cl.**
USPC **D12/406**

(58) **Field of Classification Search**
 USPC D12/401–414; D6/610–611, 552;
 D3/304–306
 CPC B60R 9/00; B60R 9/02; B60R 9/04; B60R
 9/08; B60R 9/042; B60R 9/0423; B60R
 9/0426; B60R 9/045; B60R 9/048; B60R
 9/0485; B60R 9/05; B60R 9/052; B60R
 9/055; B60R 9/058; B60R 9/06; B60R
 9/065; B60R 9/10; B60R 9/12
 See application file for complete search history.

(56) **References Cited**

U.S. PATENT DOCUMENTS

- 5,518,159 A * 5/1996 DeGuevara B60R 9/06
 224/488
 6,164,508 A * 12/2000 van Veenen B60R 9/06
 224/502

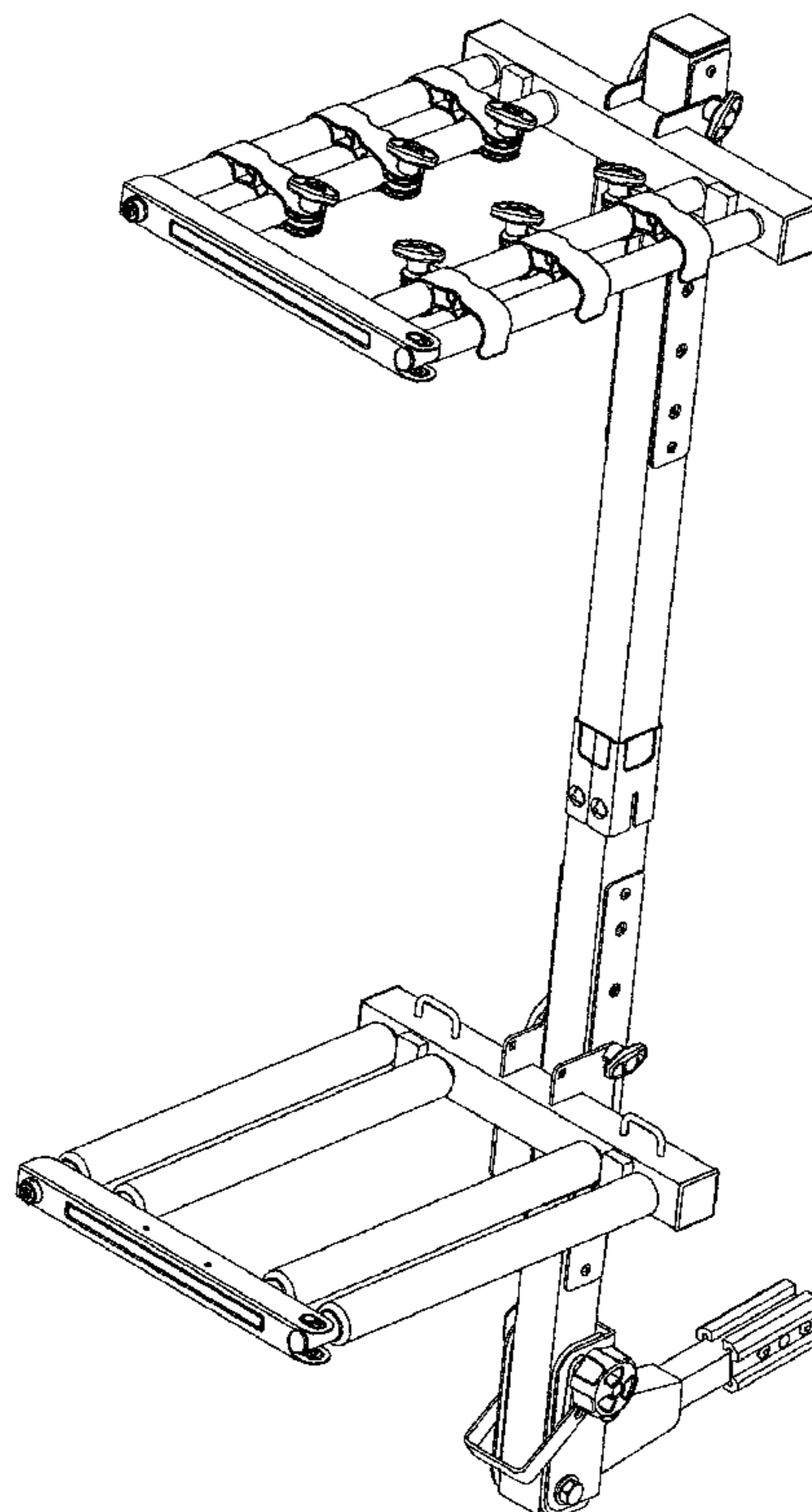
(57) **CLAIM**

The ornamental design for a ski rack, as shown and described.

DESCRIPTION

FIG. 1 is a perspective view of a ski rack showing my new design;
 FIG. 2 is a front elevational view thereof;
 FIG. 3 is a rear elevational view thereof;
 FIG. 4 is a left side elevational view thereof;
 FIG. 5 is a right side elevational view thereof;
 FIG. 6 is a top plan view thereof; and,
 FIG. 7 is a bottom plan view thereof.

1 Claim, 7 Drawing Sheets



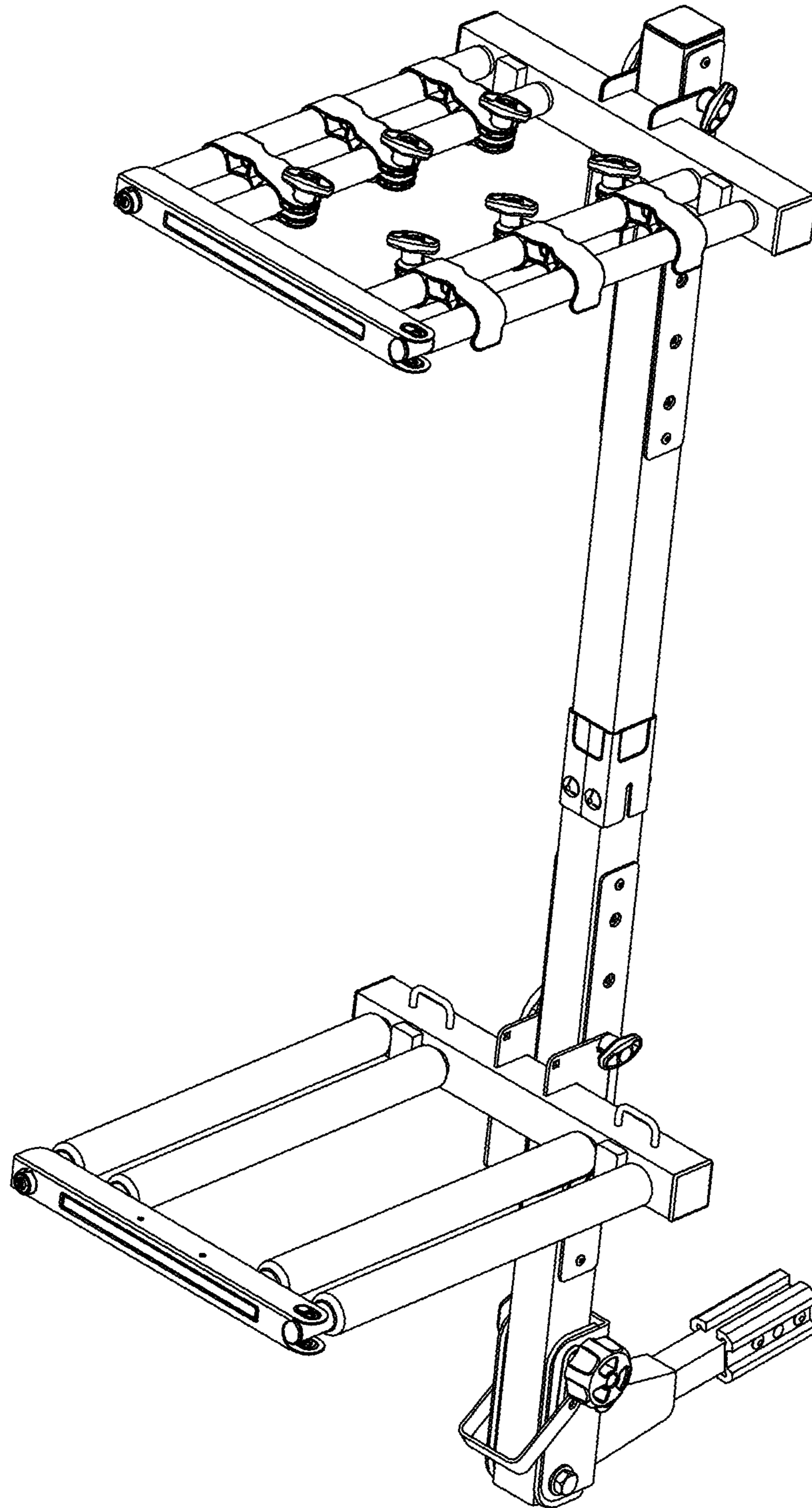


FIG. 1

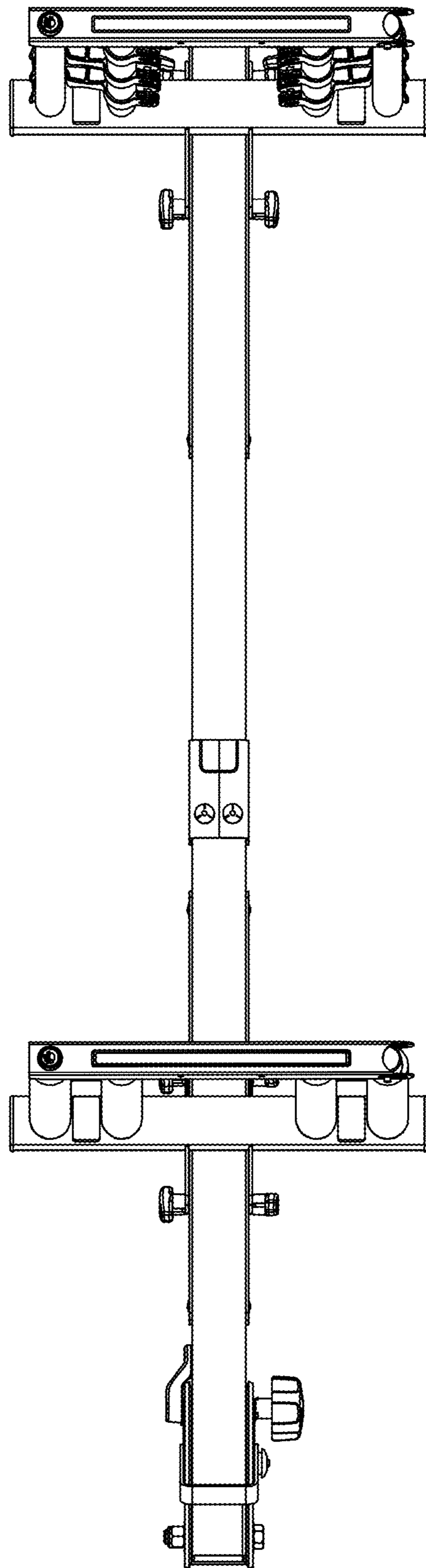


FIG. 2

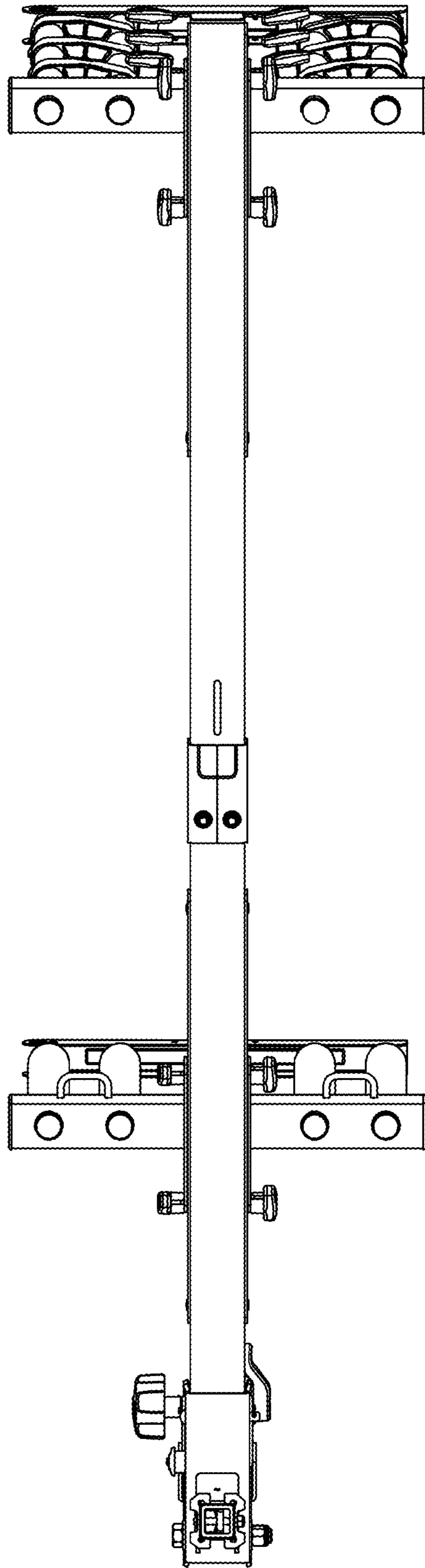


FIG. 3

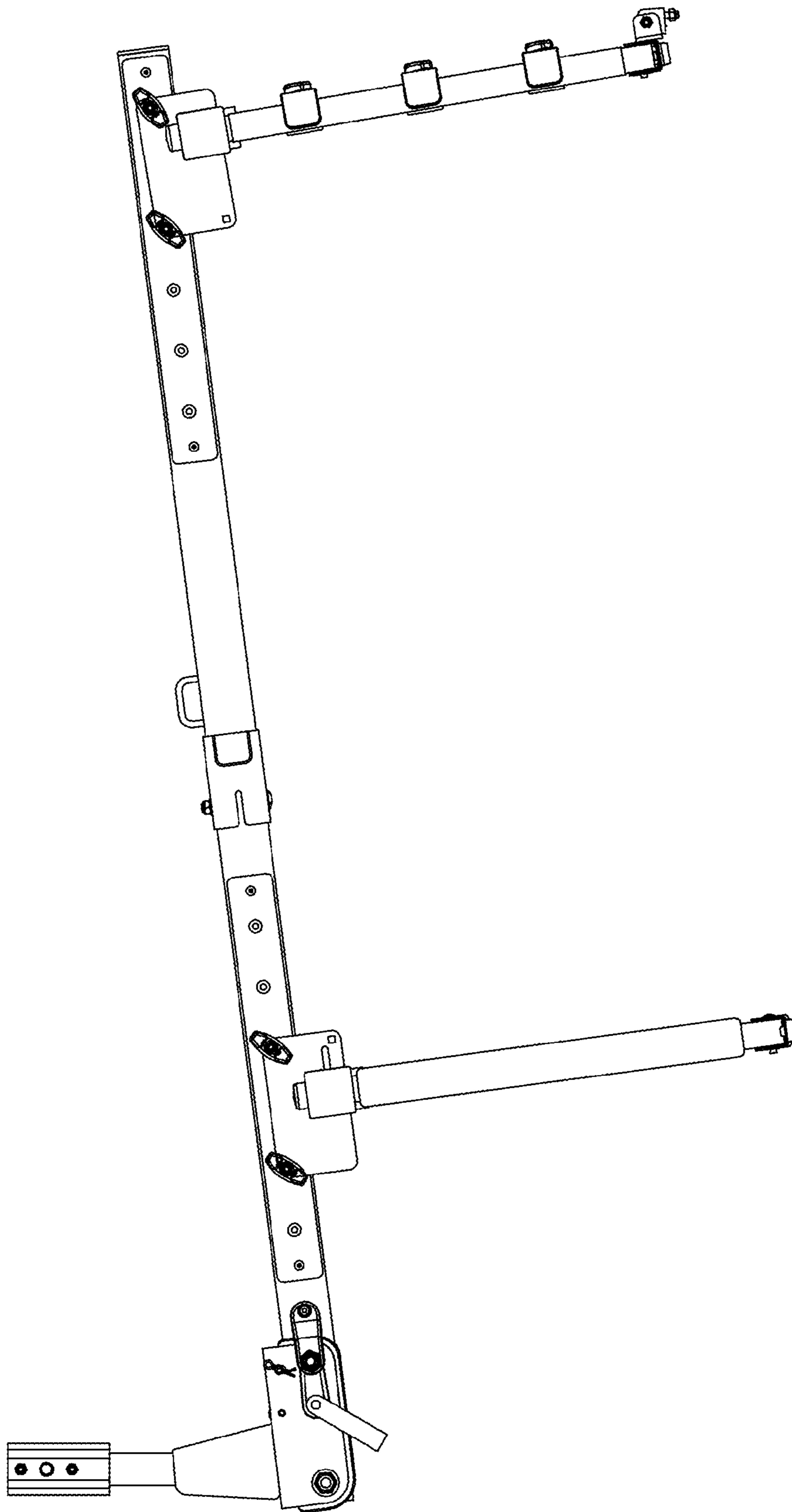


FIG. 4

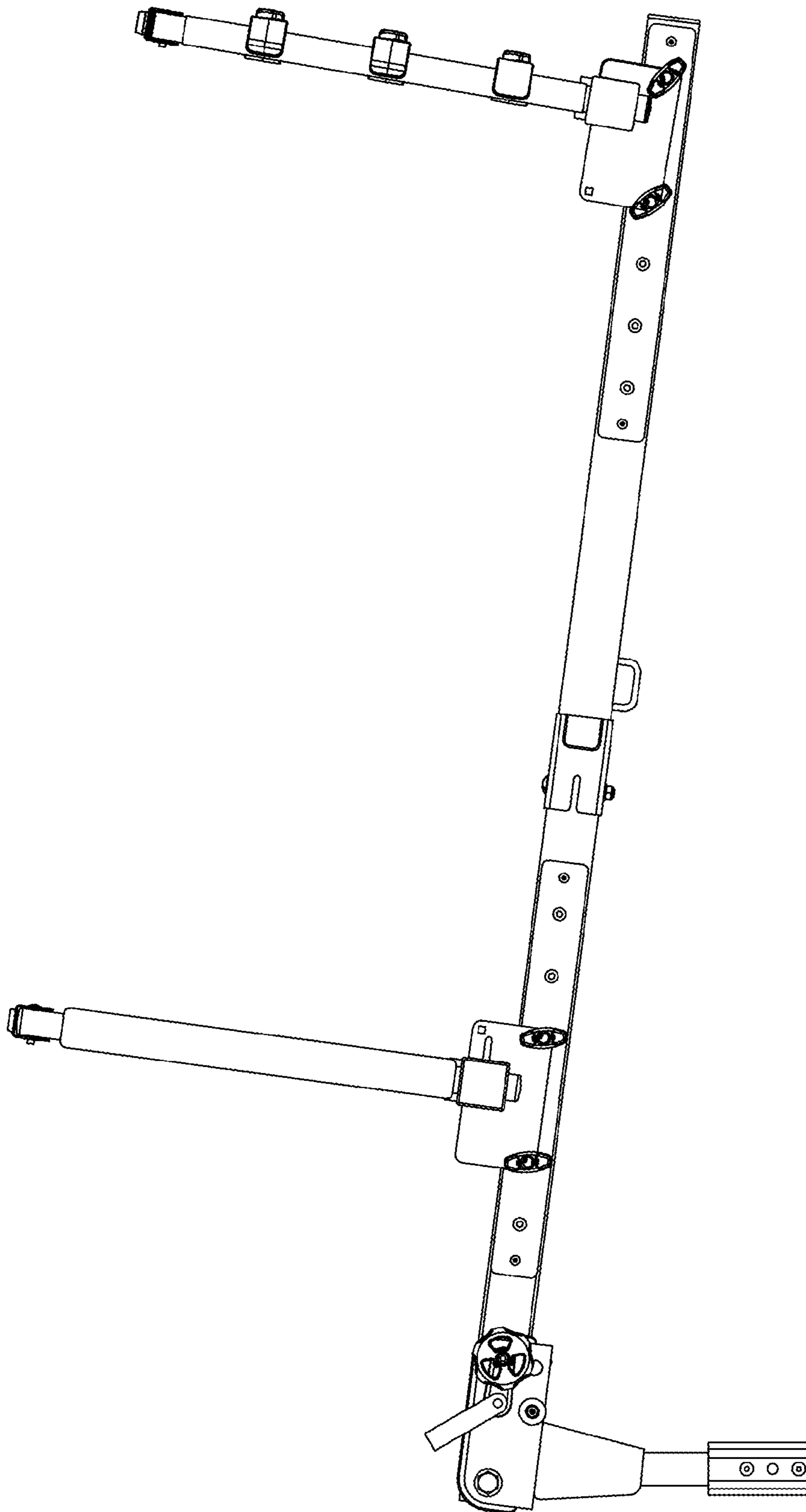


FIG. 5

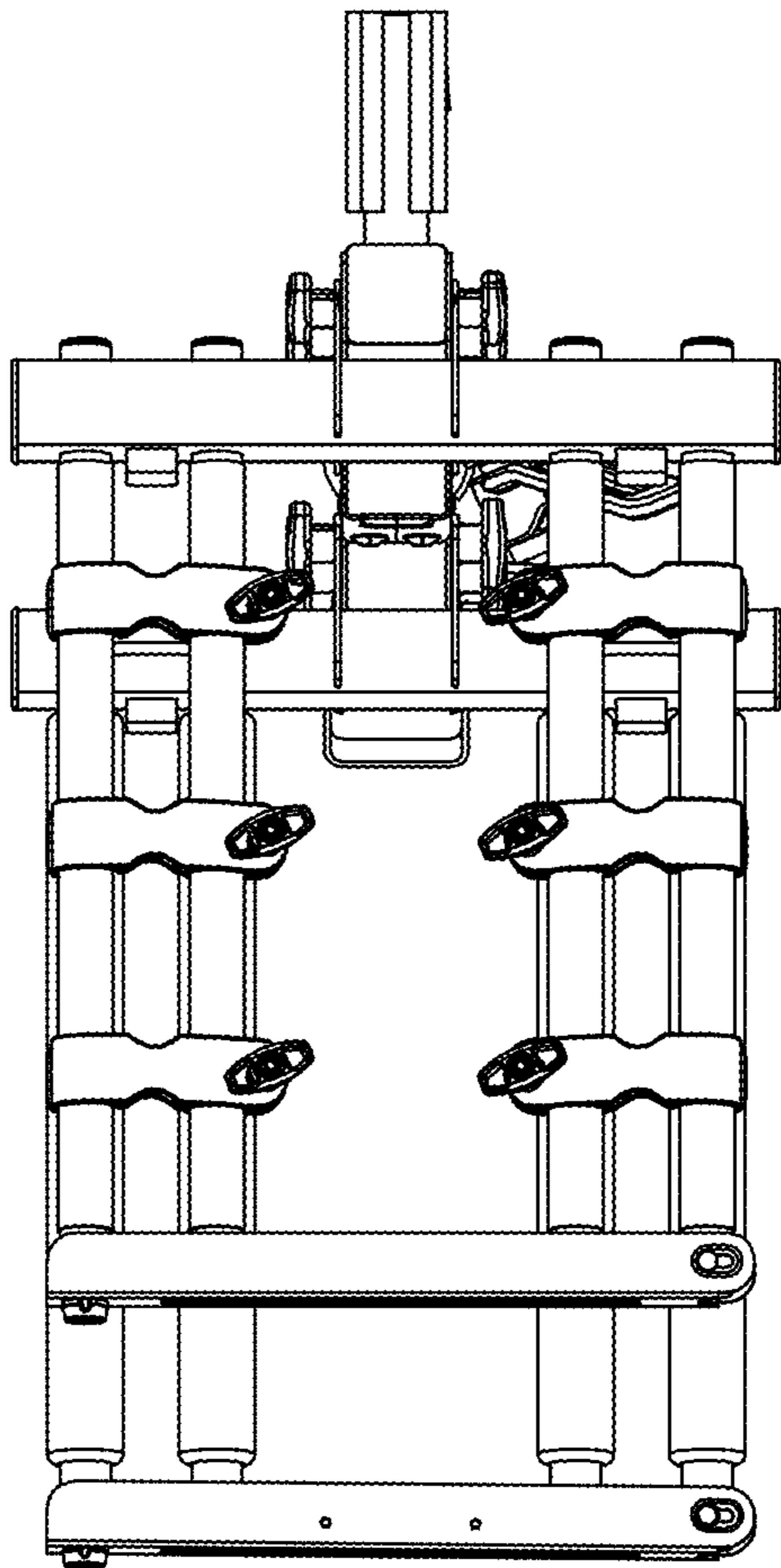


FIG. 6

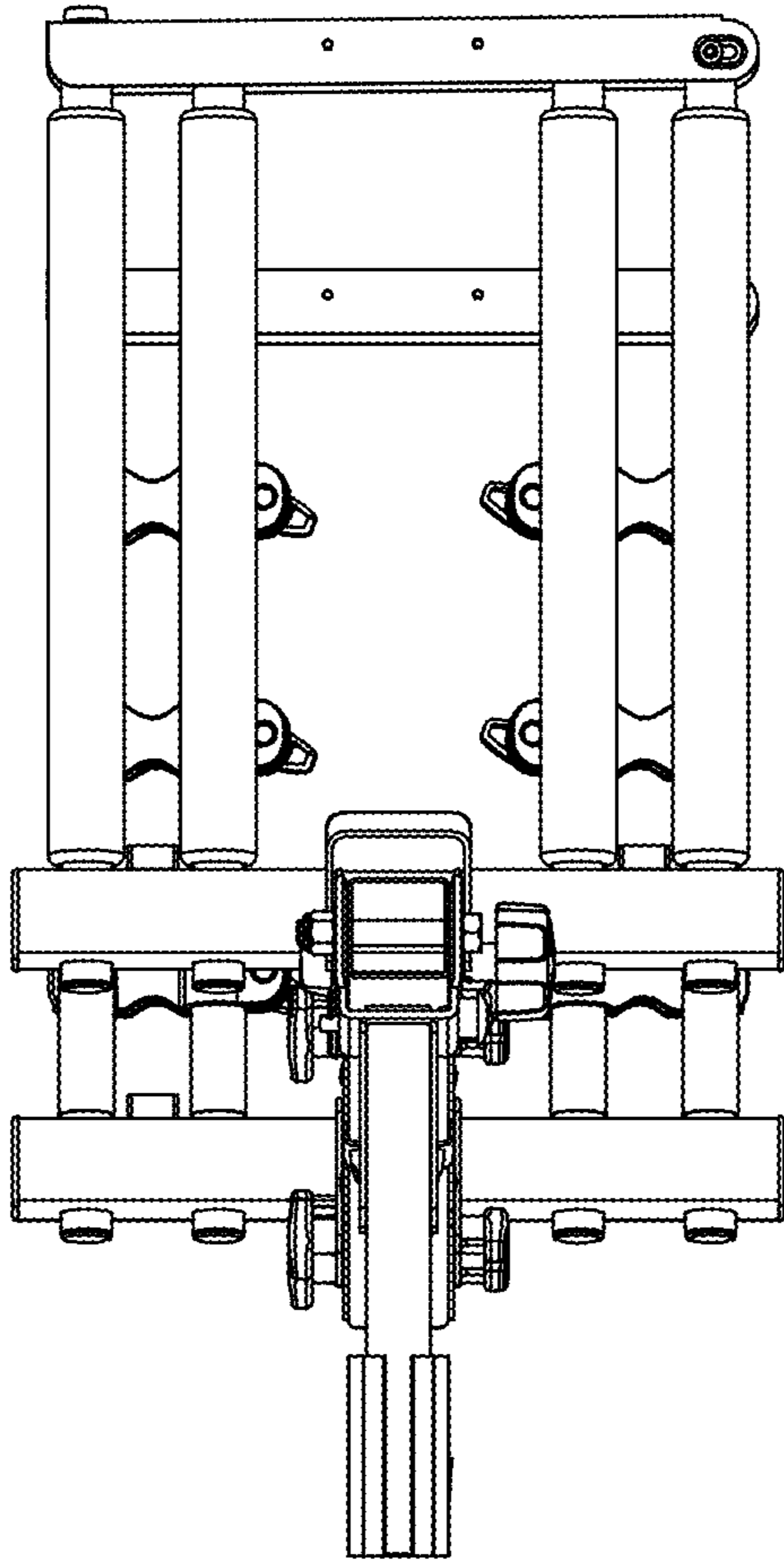


FIG. 7