



US00D929929S

(12) **United States Design Patent**
Ledford

(10) **Patent No.:** **US D929,929 S**
(45) **Date of Patent:** **** Sep. 7, 2021**

- (54) **FLAP FOR PROPELLER BLADE**
- (71) Applicant: **Gary Alan Ledford**, Florissant, CO
(US)
- (72) Inventor: **Gary Alan Ledford**, Florissant, CO
(US)
- (**) Term: **15 Years**
- (21) Appl. No.: **29/718,170**
- (22) Filed: **Dec. 20, 2019**
- (51) **LOC (13) Cl.** **12-16**
- (52) **U.S. Cl.**
USPC **D12/214**
- (58) **Field of Classification Search**
USPC D12/214, 317, 319, 16.1, 328, 330, 344,
D12/345; D15/4, 5; D13/115; D21/441,
D21/442; D23/411, 413, 379
CPC B64C 11/00; B64C 11/02; B64C 11/16;
B64C 39/024; B64C 27/08; B64C
2201/108; B63H 1/26; B63H 1/28; B63H
1/14
See application file for complete search history.

- 6,752,595 B2 * 6/2004 Murakami F03D 7/0228
416/87
 - D506,178 S * 6/2005 Rehkemper D12/345
 - D571,000 S * 6/2008 Bei D23/413
 - D577,807 S * 9/2008 Kenyon D23/379
 - 7,429,163 B2 * 9/2008 Patterson B63H 1/26
416/198 R
 - D618,734 S * 6/2010 Zealer D21/441
 - D659,719 S * 5/2012 Austin D15/9
 - D701,300 S * 3/2014 Tanabe D23/379
 - 8,801,386 B2 8/2014 Keir et al.
- (Continued)

FOREIGN PATENT DOCUMENTS

- CN 103563824 B 2/2014
- WO WO2009010310 A1 1/2009

Primary Examiner — Michelle E. Wilson
Assistant Examiner — Clese Moore, Jr.

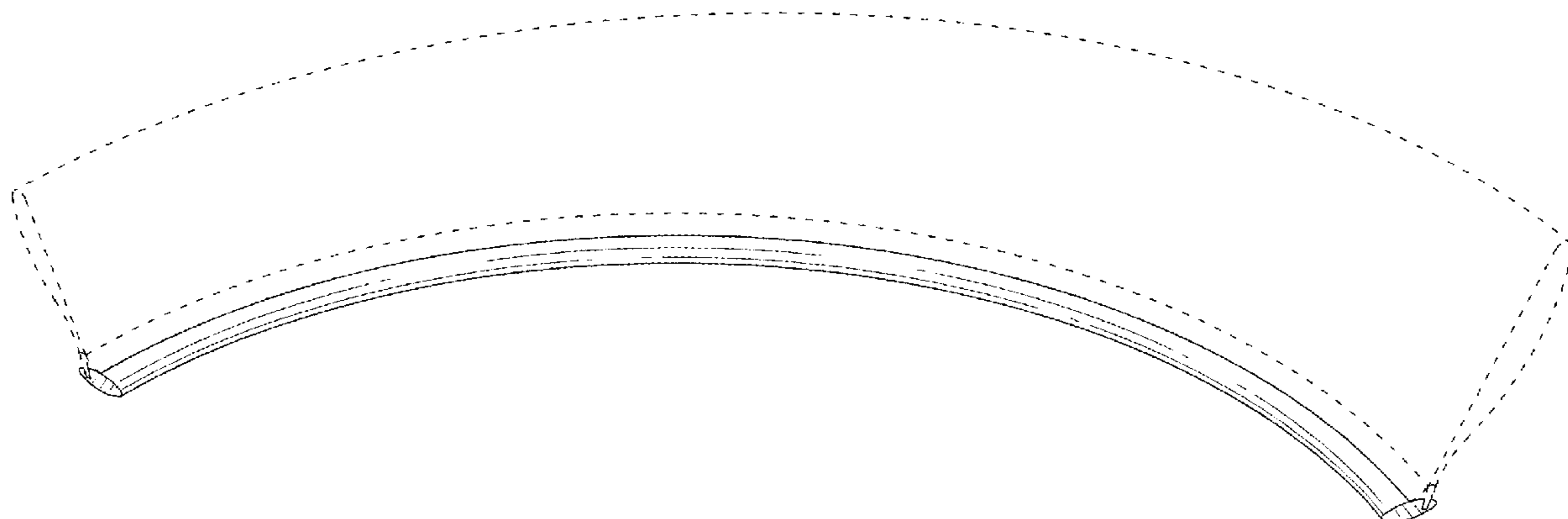
(57) **CLAIM**

The ornamental design for a flap for propeller blade, as shown and described.

DESCRIPTION

FIG. 1 is a top perspective view of a flap for propeller blade showing my new design;
 FIG. 2 is a bottom perspective view thereof;
 FIG. 3 is a front elevated view thereof;
 FIG. 4 is a rear elevated view thereof;
 FIG. 5 is a top plan view thereof;
 FIG. 6 is a bottom plan view thereof;
 FIG. 7 is a right elevated view thereof;
 FIG. 8 is a left elevated view thereof;
 FIG. 9 is a vertical cross-sectional view thereof taken in the direction of line 9-9 in FIG. 4; and,
 FIG. 10 is a magnified view of the flap shown in FIG. 9.
 The broken lines showing of a blade body in FIG. 1-10 are included for the purpose of showing environmental structure and form no part of the claimed design.

1 Claim, 10 Drawing Sheets



(56)

References Cited

U.S. PATENT DOCUMENTS

D723,997	S *	3/2015	Foreman	D12/214
D750,560	S *	3/2016	Altmikus	D13/115
D762,840	S *	8/2016	Wilkins	D23/413
D826,629	S *	8/2018	Andersson	D7/376
D847,861	S *	5/2019	Wilkins	D15/7
D857,601	S *	8/2019	Hopkins, III	D12/214
D870,012	S *	12/2019	Hopkins, III	D12/214
10,882,593	B1 *	1/2021	Ledford	B63H 1/28
2009/0252614	A1 *	10/2009	Schibsbye	B23C 3/12 416/248
2011/0091328	A1 *	4/2011	Powers	B63H 1/26 416/236 R
2012/0134817	A1 *	5/2012	Bagepalli	F03D 80/00 416/62

* cited by examiner

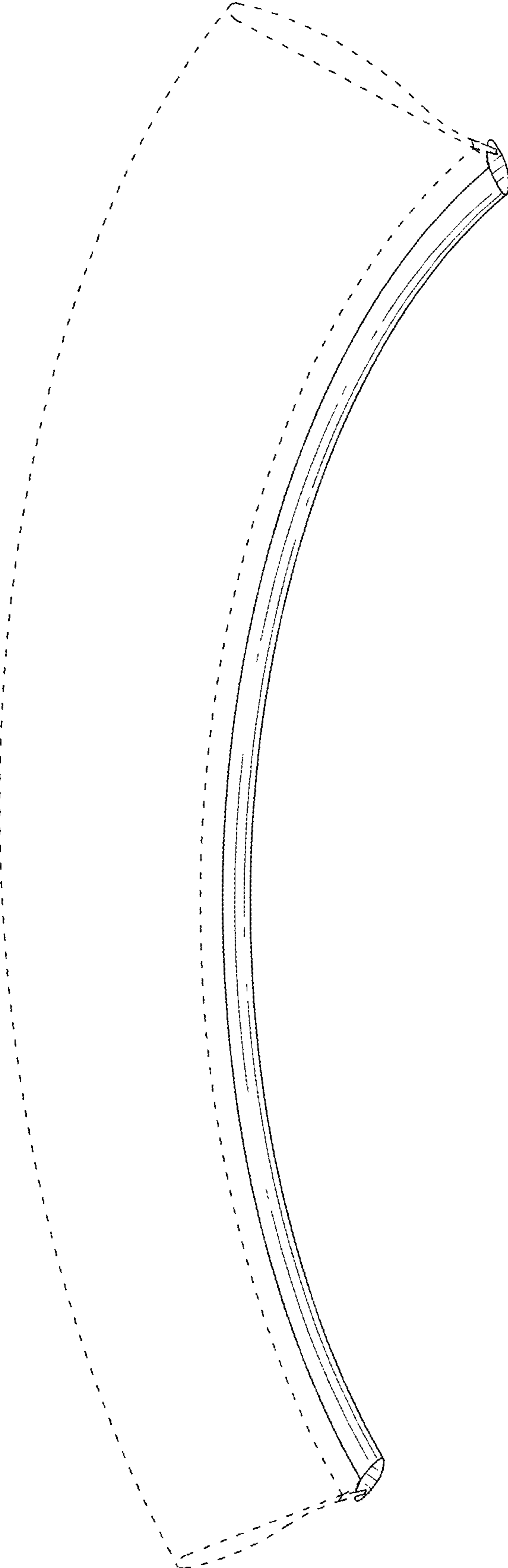


FIG. 1

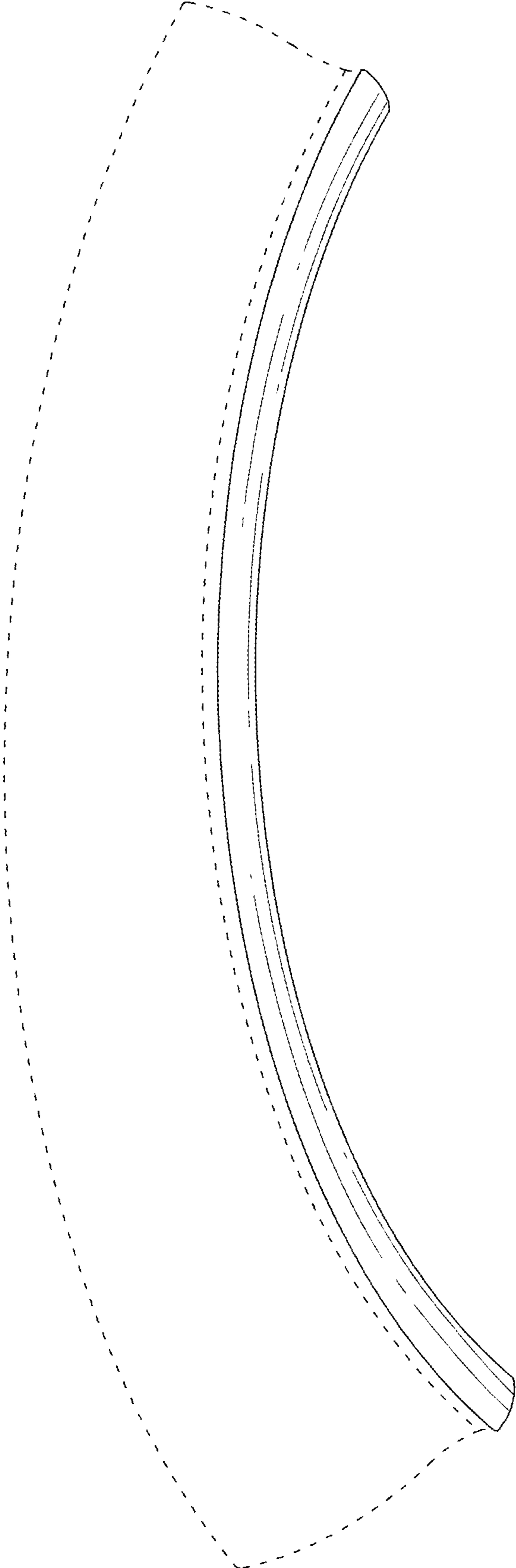


FIG. 2

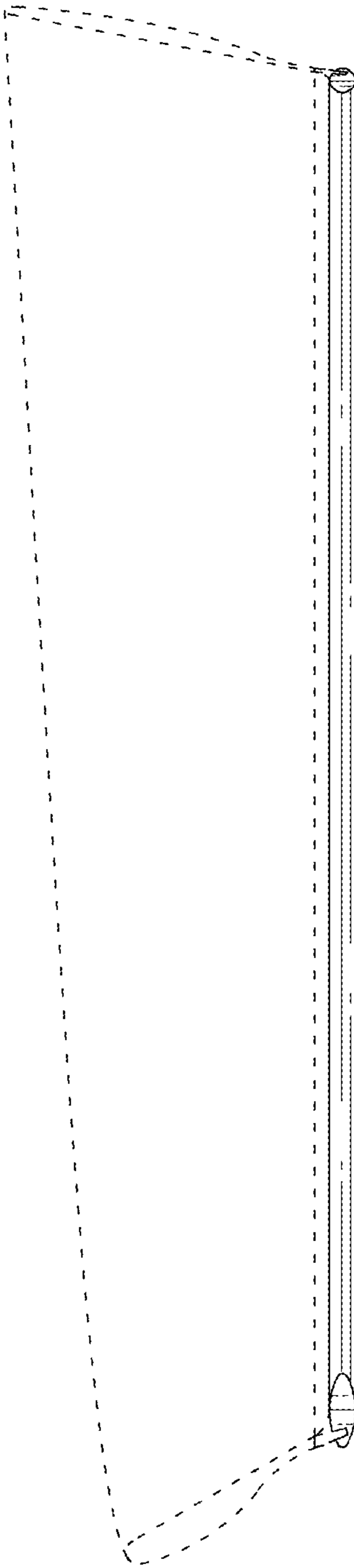


FIG. 3

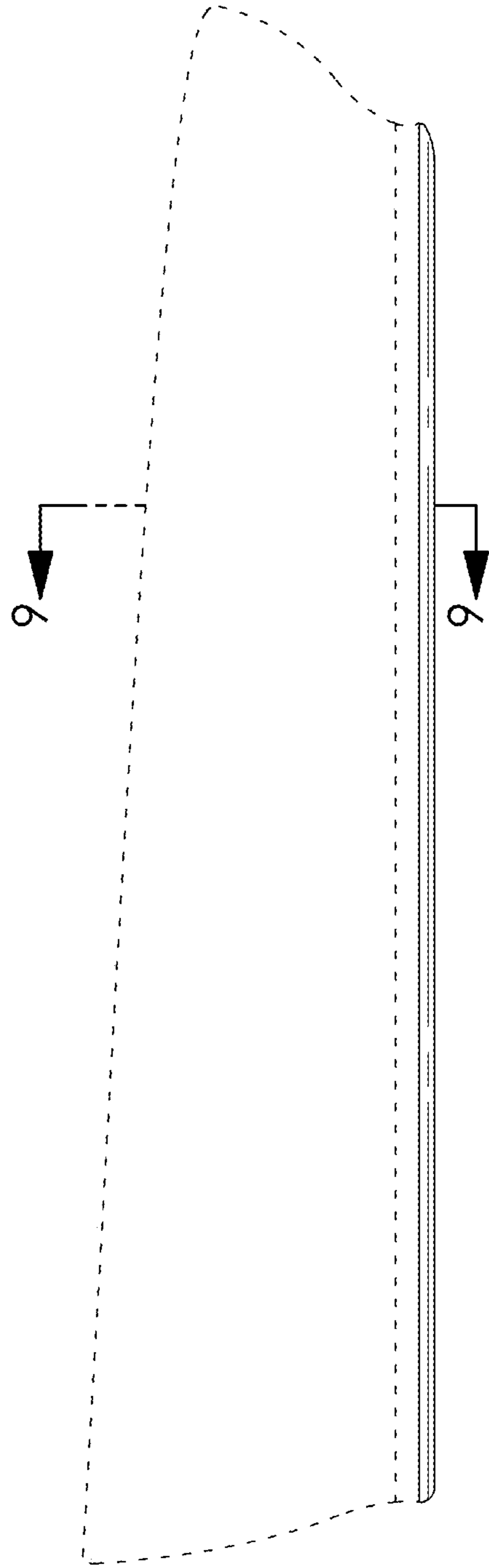


FIG. 4

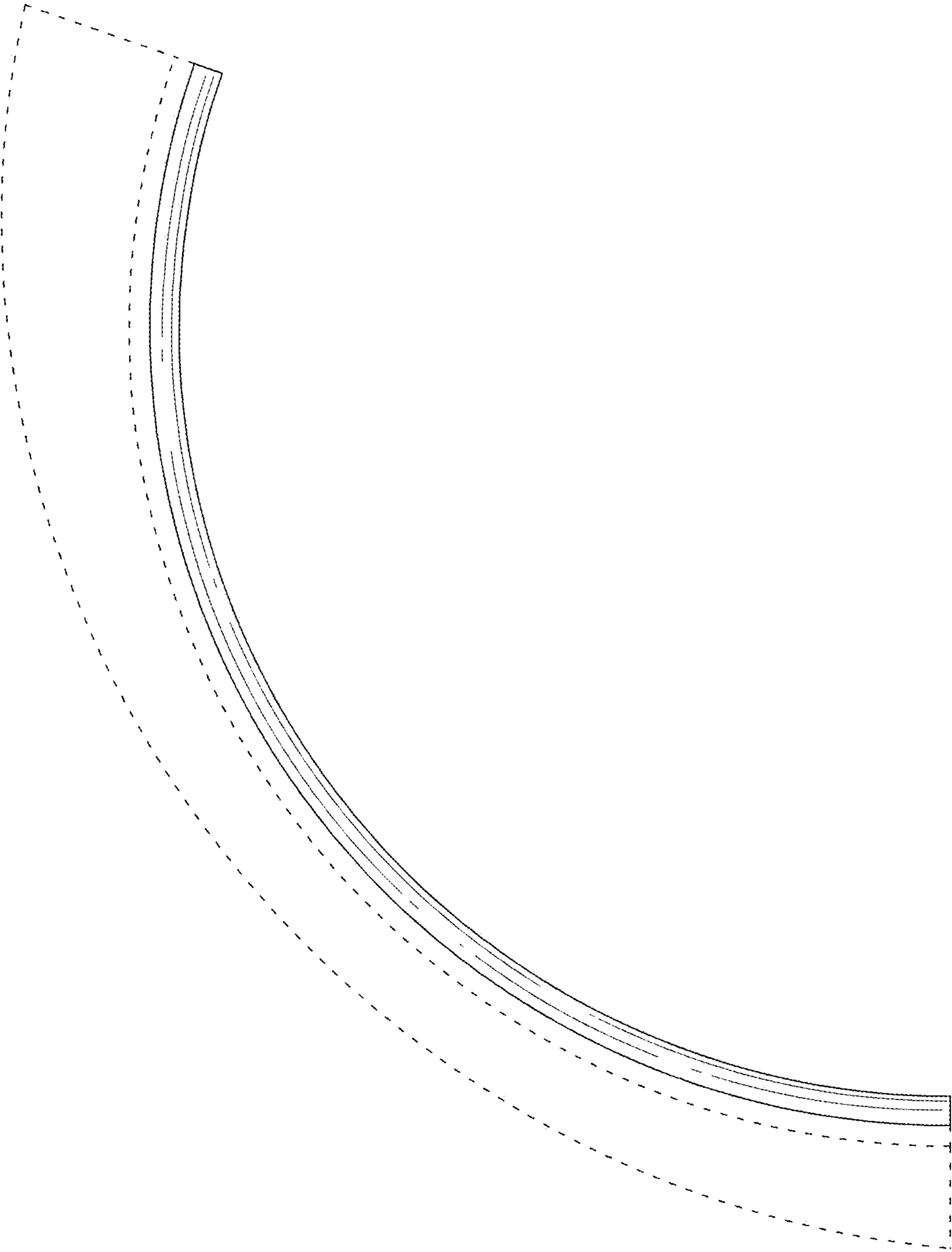


FIG. 5

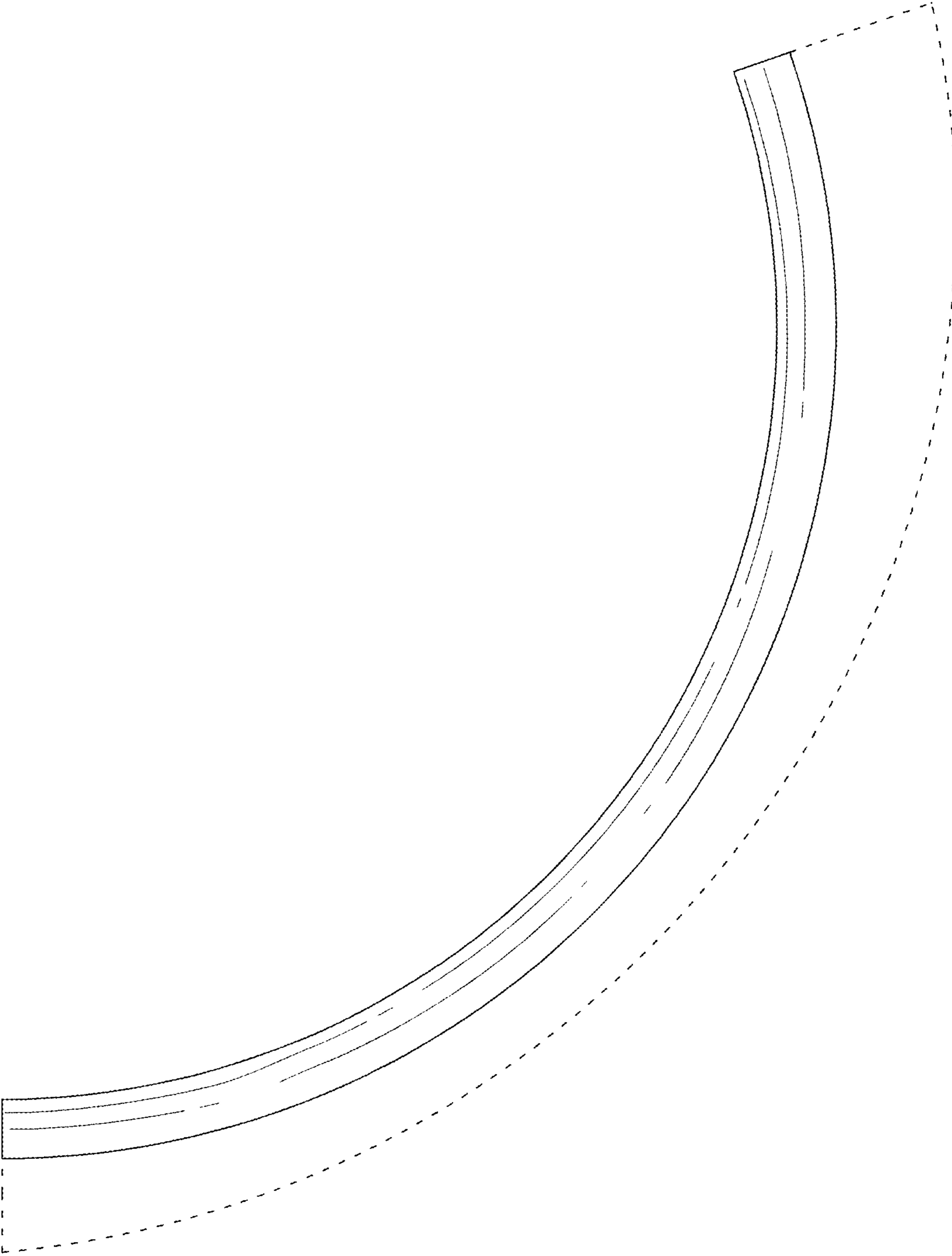


FIG. 6

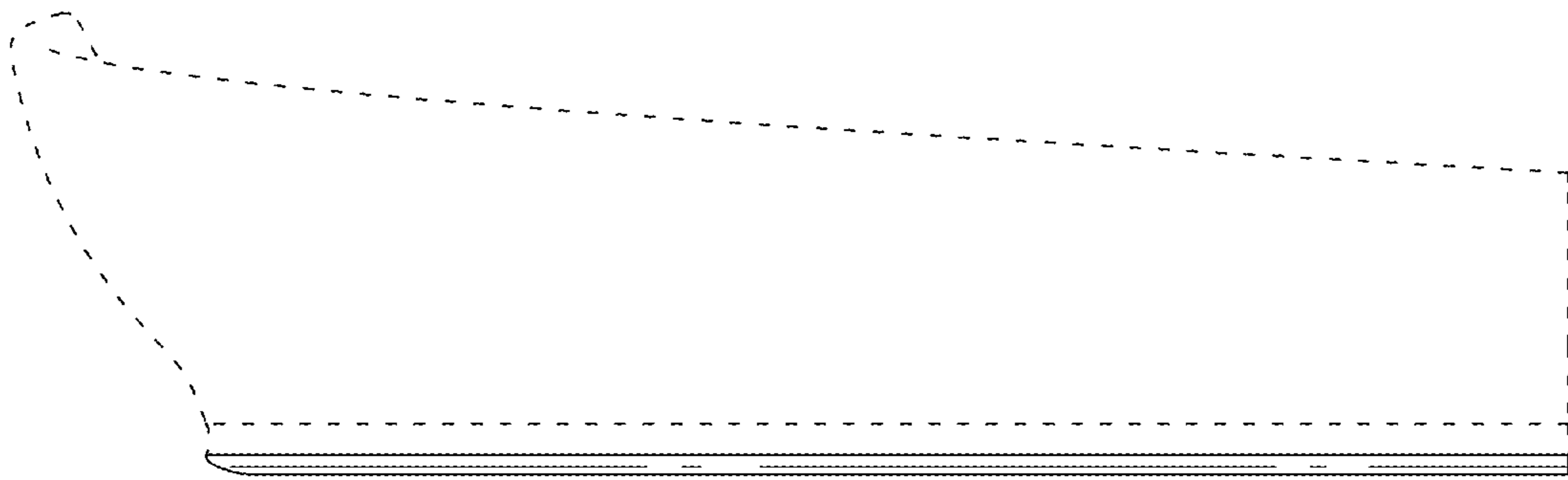


FIG. 7

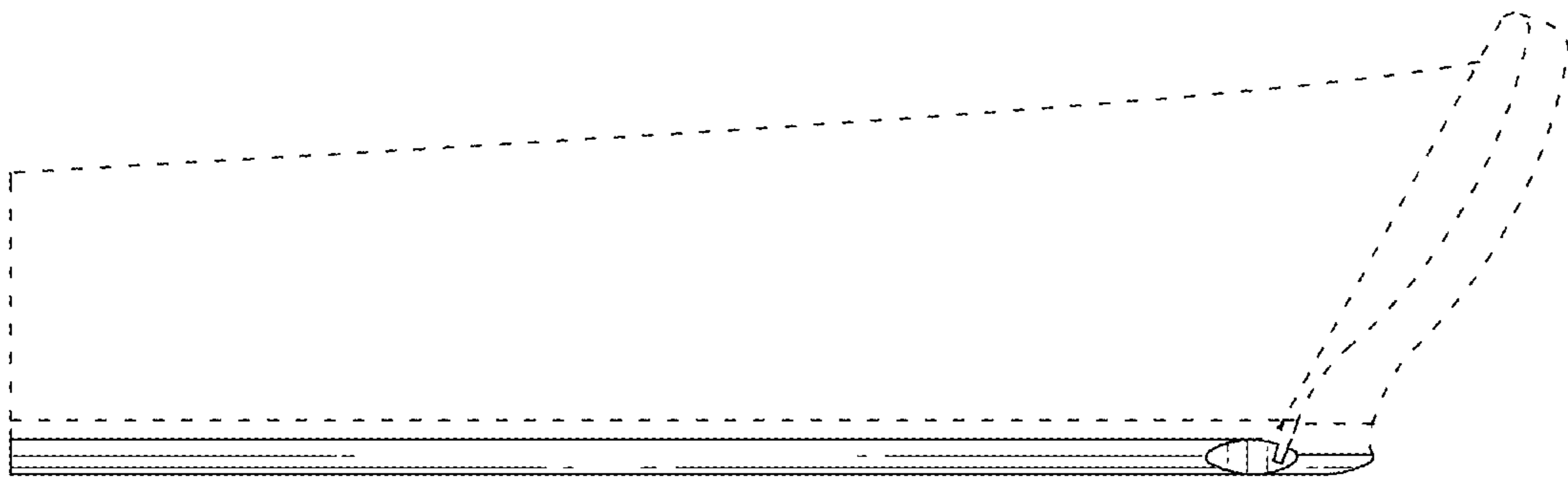


FIG. 8

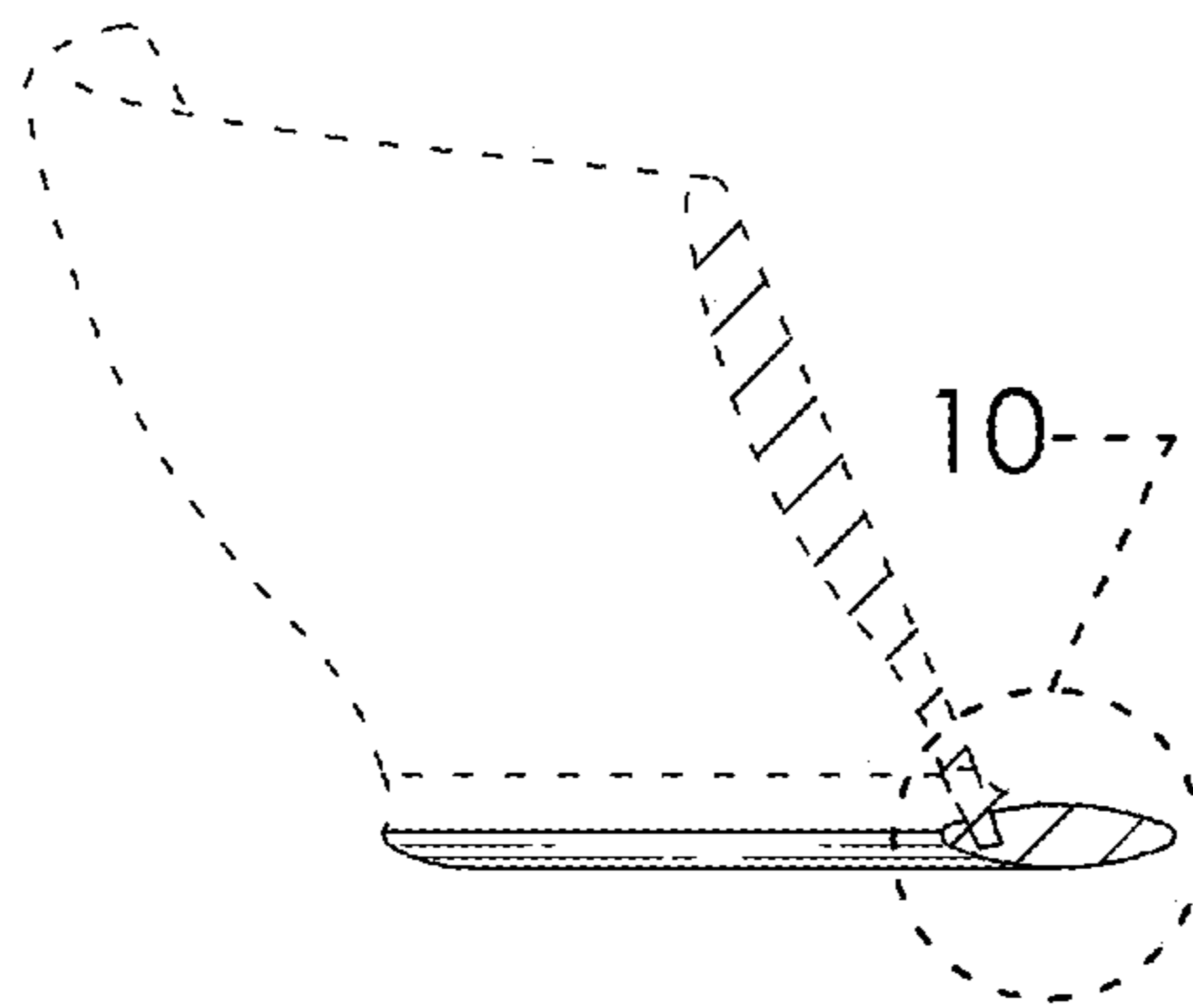


FIG. 9

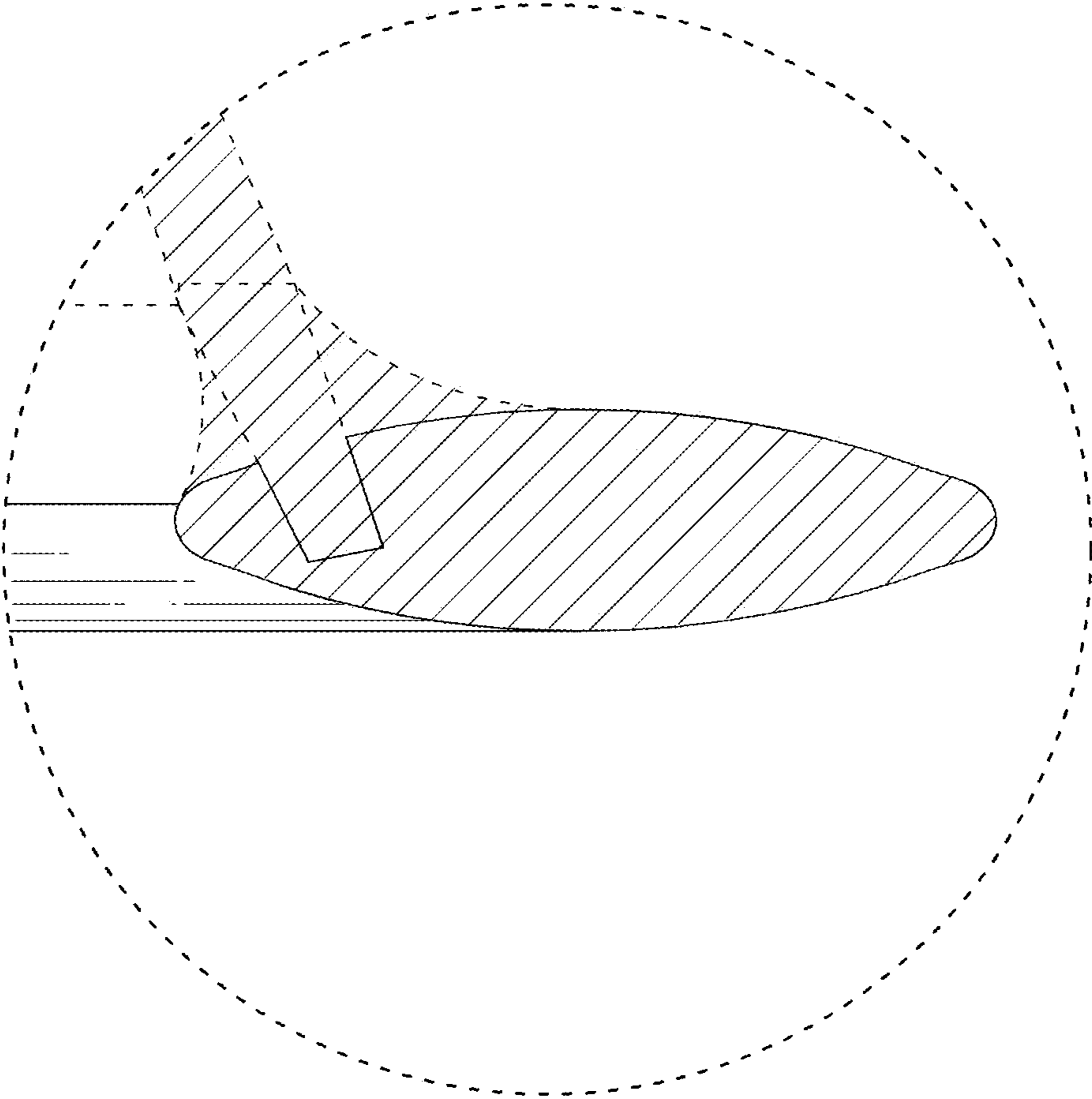


FIG. 10