



US00D929926S

(12) **United States Design Patent**  
**Chang**

(10) **Patent No.:** **US D929,926 S**

(45) **Date of Patent:** **\*\* Sep. 7, 2021**

(54) **VEHICLE WHEEL**

(71) Applicant: **CITIC Dicastal Co., Ltd.**,  
Qinhuangdao (CN)

(72) Inventor: **Kexin Chang**, Qinhuangdao (CN)

(73) Assignee: **CITIC Dicastal Co., Ltd.**,  
Qinhuangdao (CN)

(\*\*) Term: **15 Years**

(21) Appl. No.: **29/733,741**

(22) Filed: **May 6, 2020**

(30) **Foreign Application Priority Data**

Mar. 16, 2020 (CN) ..... 202030086786.X

(51) **LOC (13) Cl.** ..... **12-16**

(52) **U.S. Cl.**  
USPC ..... **D12/209**

(58) **Field of Classification Search**  
USPC ..... D12/204-213; D21/563  
CPC .... B60B 7/00; B60B 7/02; B60B 7/04; B60B  
7/01; B60B 7/06; B60B 3/02; B60B 3/04;  
B60B 3/06; B60B 3/10; B60B 1/00;  
B60B 1/08; B60B 1/10; B60B 1/12  
See application file for complete search history.

(56) **References Cited**

**U.S. PATENT DOCUMENTS**

D451,066 S \* 11/2001 Pfeiffer ..... D12/211  
D480,036 S \* 9/2003 Laengerer ..... D12/211

D514,050 S \* 1/2006 Scheu ..... D12/211  
D525,578 S \* 7/2006 Schell ..... D12/211  
D537,766 S \* 3/2007 Laengerer ..... D12/211  
D614,112 S \* 4/2010 Tant ..... D12/211  
D644,158 S \* 8/2011 Nissl ..... D12/211  
D660,771 S \* 5/2012 Mueller-Stolz ..... D12/211  
D706,197 S \* 6/2014 Chung ..... D12/211  
D726,630 S \* 4/2015 Kong ..... D12/211  
D741,770 S \* 10/2015 Kim ..... D12/209  
D765,005 S \* 8/2016 Garbas ..... D12/211  
D769,785 S \* 10/2016 Wells ..... D12/211  
D795,153 S \* 8/2017 Peat ..... D12/211  
D814,377 S \* 4/2018 Mueller ..... D12/209  
D865,609 S \* 11/2019 Yeh ..... D12/209  
D888,639 S \* 6/2020 Cenan ..... D12/209  
D889,374 S \* 7/2020 Lee ..... D12/211

\* cited by examiner

*Primary Examiner* — Stacia A Cadmus

(74) *Attorney, Agent, or Firm* — IPro, PLLC

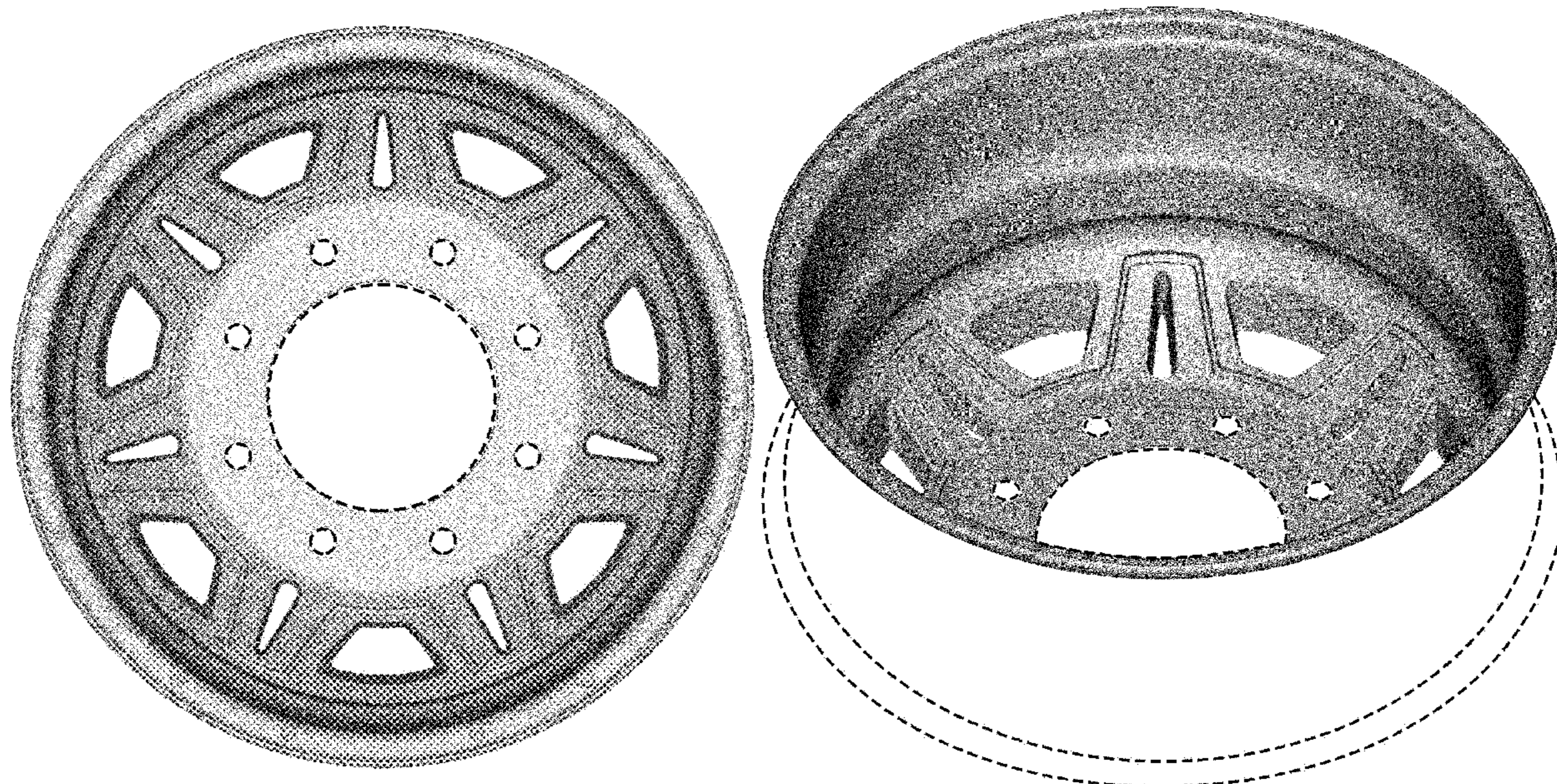
(57) **CLAIM**

The ornamental design for a vehicle wheel, as shown and described.

**DESCRIPTION**

FIG. 1 is a front view of a vehicle wheel.  
FIG. 2 is a perspective view thereof;  
FIG. 3. is a second perspective view thereof;  
FIG. 4. is a third perspective view thereof; and,  
FIG. 5. is a fourth perspective view thereof.  
In the drawings the broken lines depict portions of the wheel that form no part of the claimed design.

**1 Claim, 5 Drawing Sheets**





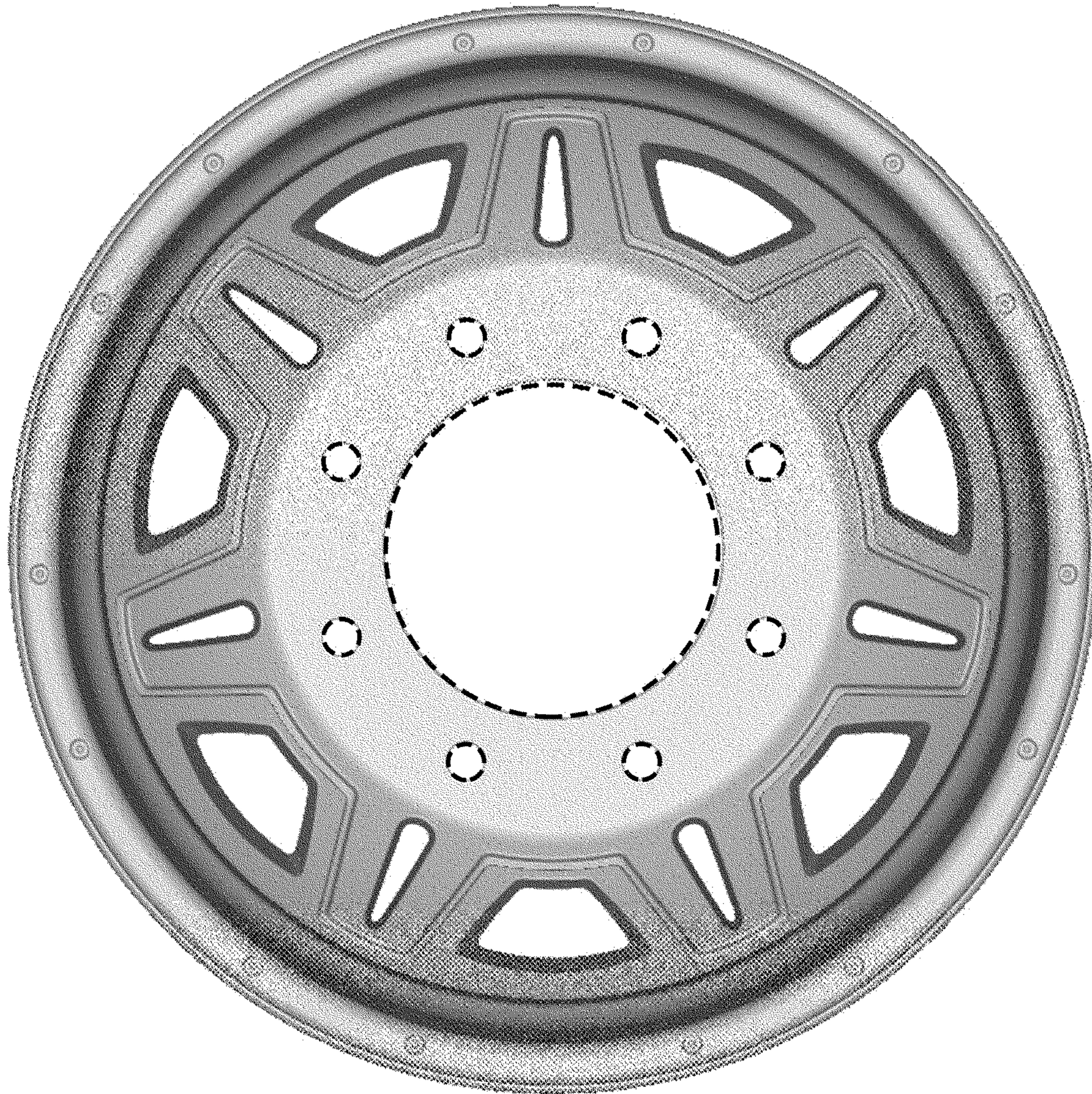


FIG. 1



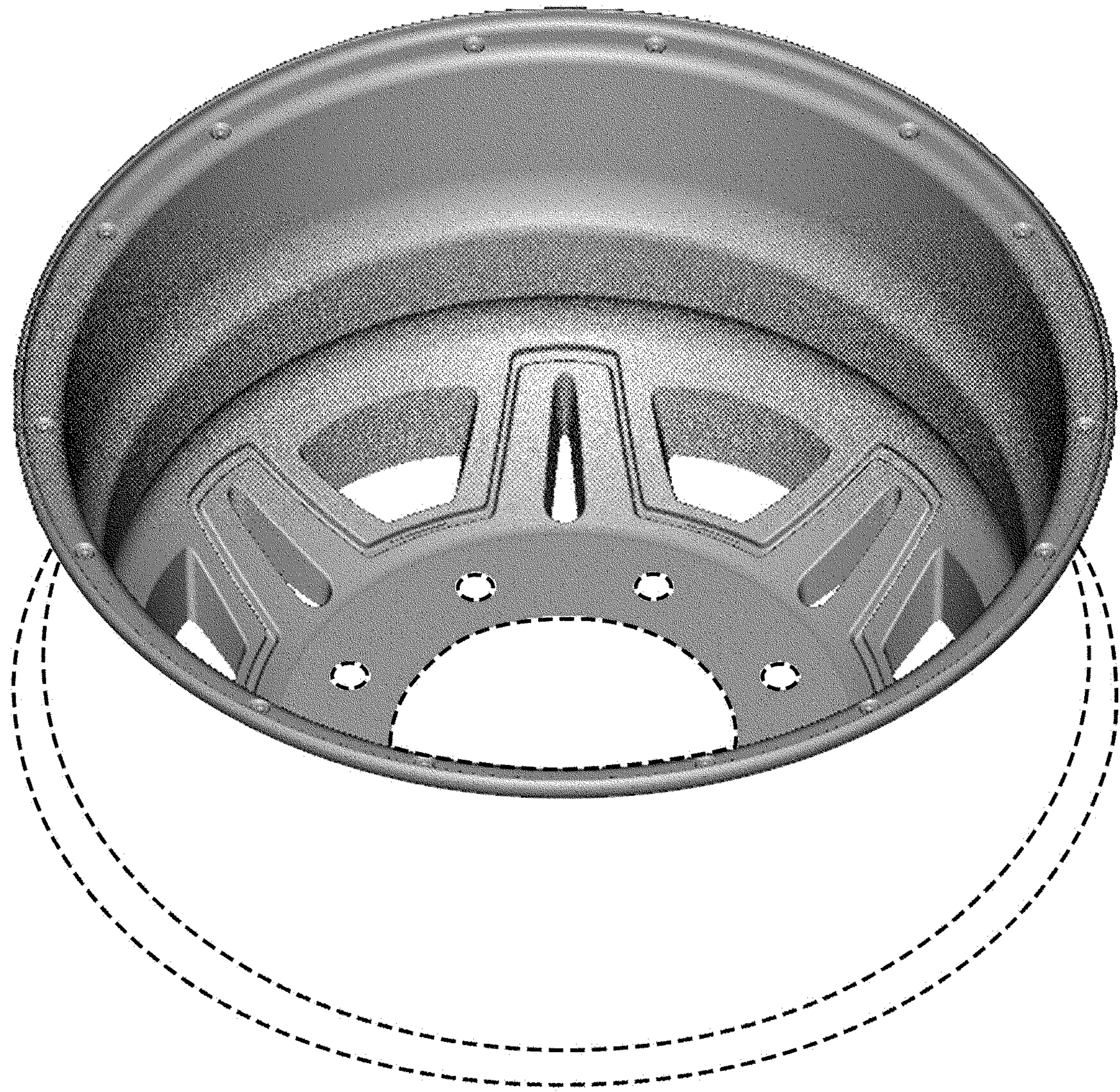


FIG. 2





FIG. 3



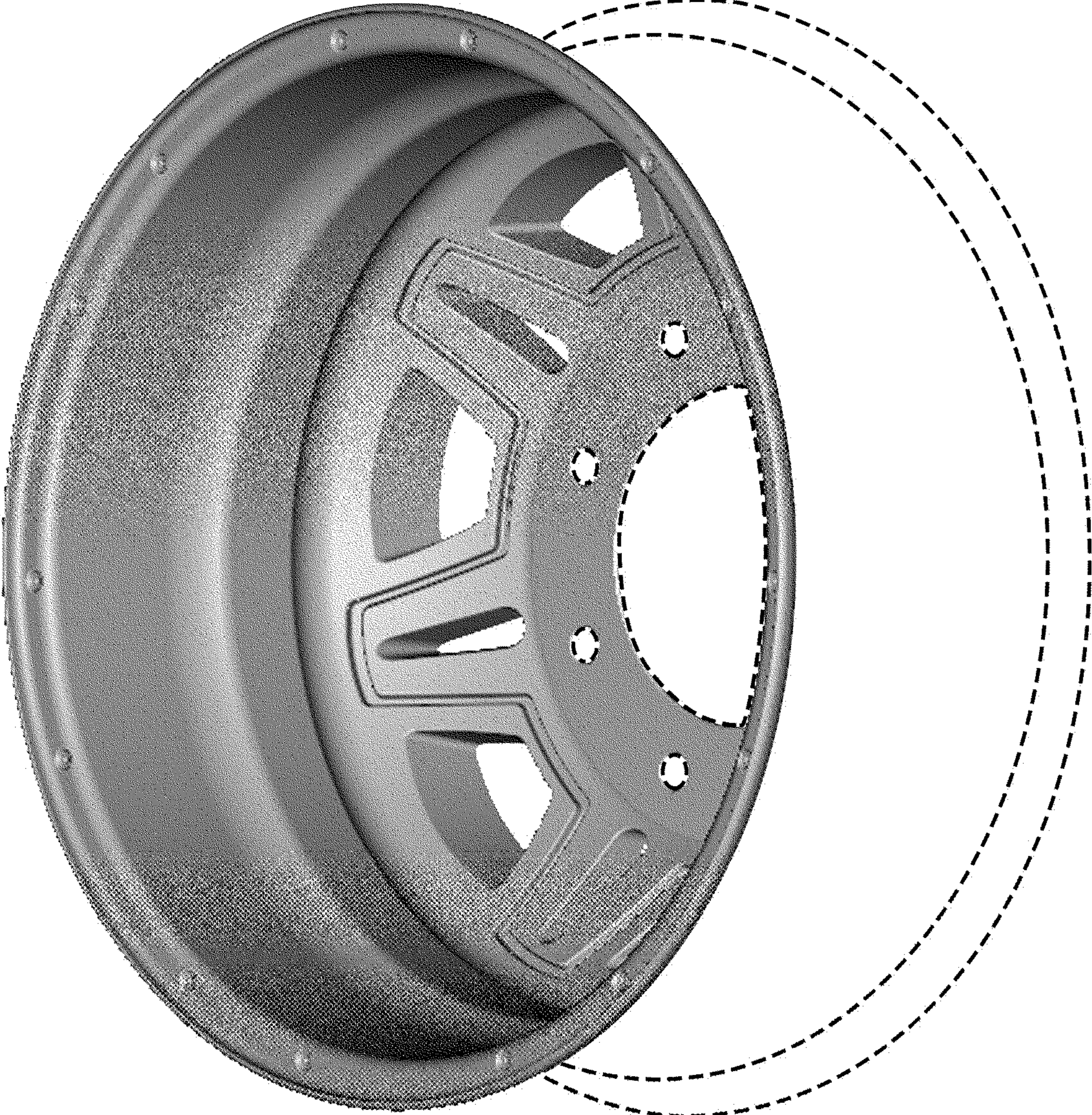


FIG. 4



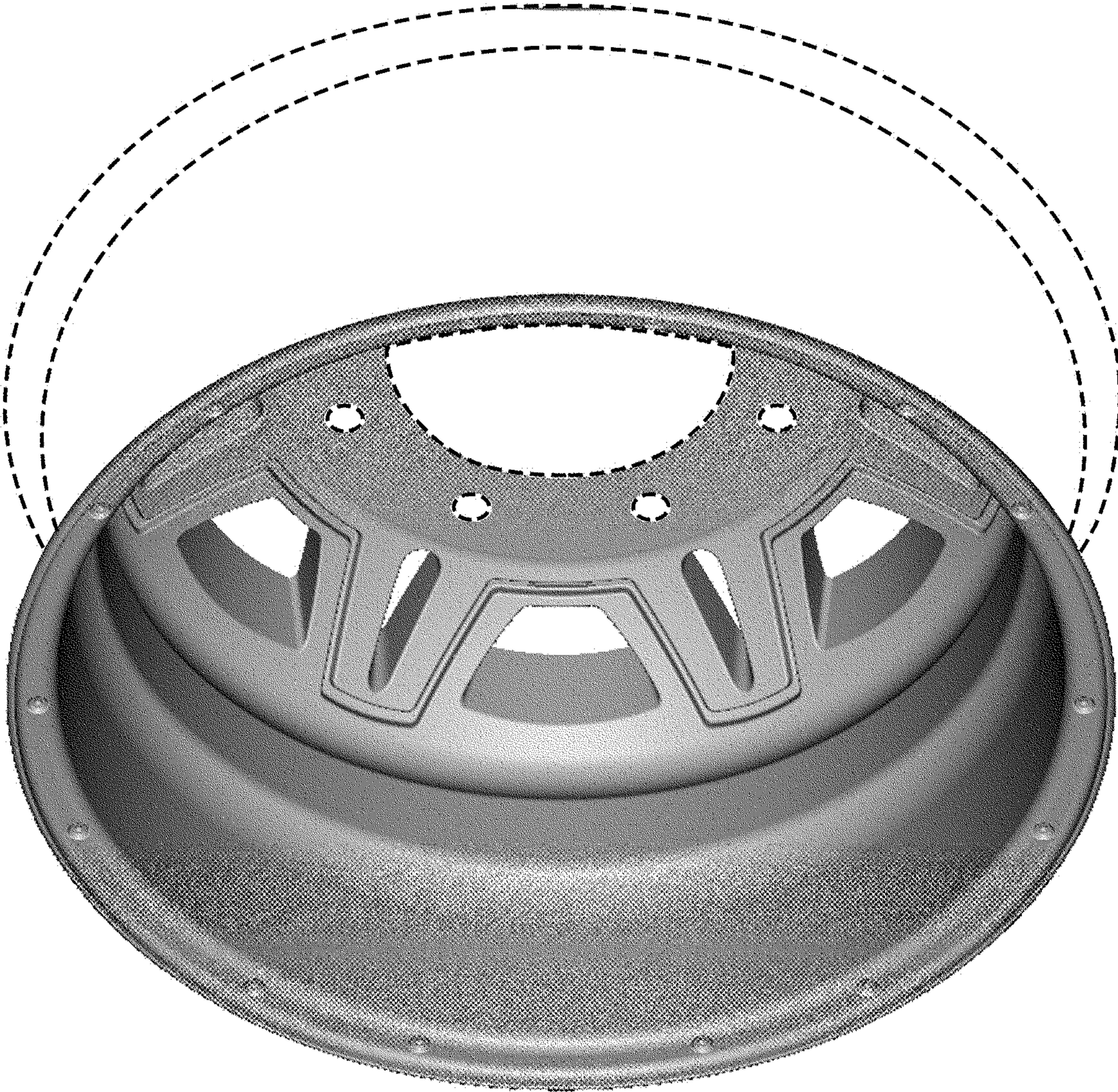


FIG. 5