



US00D929924S

(12) **United States Design Patent**
Mukti

(10) **Patent No.:** **US D929,924 S**

(45) **Date of Patent:** **** Sep. 7, 2021**

(54) **VEHICLE WHEEL**

(71) Applicant: **Quarsa, LLC**, Chino, CA (US)

(72) Inventor: **Ali Mukti**, Surabaya (ID)

(73) Assignee: **Quarsa, LLC**, Chino, CA (US)

(**) Term: **15 Years**

(21) Appl. No.: **29/711,203**

(22) Filed: **Oct. 29, 2019**

(51) **LOC (13) Cl.** **12-16**

(52) **U.S. Cl.**
USPC **D12/209**

(58) **Field of Classification Search**
USPC D12/204–213; D21/563
CPC B60B 7/00; B60B 7/02; B60B 7/04; B60B
7/01; B60B 7/06; B60B 3/02; B60B 3/04;
B60B 3/06; B60B 3/10; B60B 1/00;
B60B 1/08; B60B 1/10; B60B 1/12
See application file for complete search history.

(56) **References Cited**

U.S. PATENT DOCUMENTS

D395,270 S *	6/1998	Baumgartner	D12/211
D398,898 S *	9/1998	Baumgartner	D12/211
D406,092 S *	2/1999	Baumgartner	D12/211
D410,426 S *	6/1999	Frizzi	D12/211
D430,526 S *	9/2000	Fitzgerald	D12/211
D778,223 S *	2/2017	Chu	D12/211
D784,238 S *	4/2017	Chu	D12/211
D787,408 S *	5/2017	Alfonso	D12/211
D787,627 S *	5/2017	Horton	D22/109

D798,211 S *	9/2017	Chung	D12/209
D826,819 S *	8/2018	Chung	D12/209
D829,630 S *	10/2018	Chung	D12/209
D840,896 S *	2/2019	Schmolz	D12/209
D842,188 S *	3/2019	Han	D12/209
D843,295 S *	3/2019	Ash	D12/209
D848,921 S *	5/2019	Licklitter	D12/209
D853,294 S *	7/2019	Han	D12/209
D853,295 S *	7/2019	Han	D12/209
D854,996 S *	7/2019	Chung	D12/209
D858,406 S *	9/2019	Johnson	D12/209
D860,904 S *	9/2019	Milani	D12/209
D865,622 S *	11/2019	Han	D12/209
D865,624 S *	11/2019	Han	D12/209
D865,626 S *	11/2019	Han	D12/209
D871,295 S *	12/2019	Han	D12/209
D887,942 S *	6/2020	Han	D12/209
D905,612 S *	12/2020	Hashimoto	D12/211
D912,589 S *	3/2021	Hale, Jr.	D12/209

* cited by examiner

Primary Examiner — Stacia A Cadmus

(74) *Attorney, Agent, or Firm* — Snell & Wilmer L.L.P.

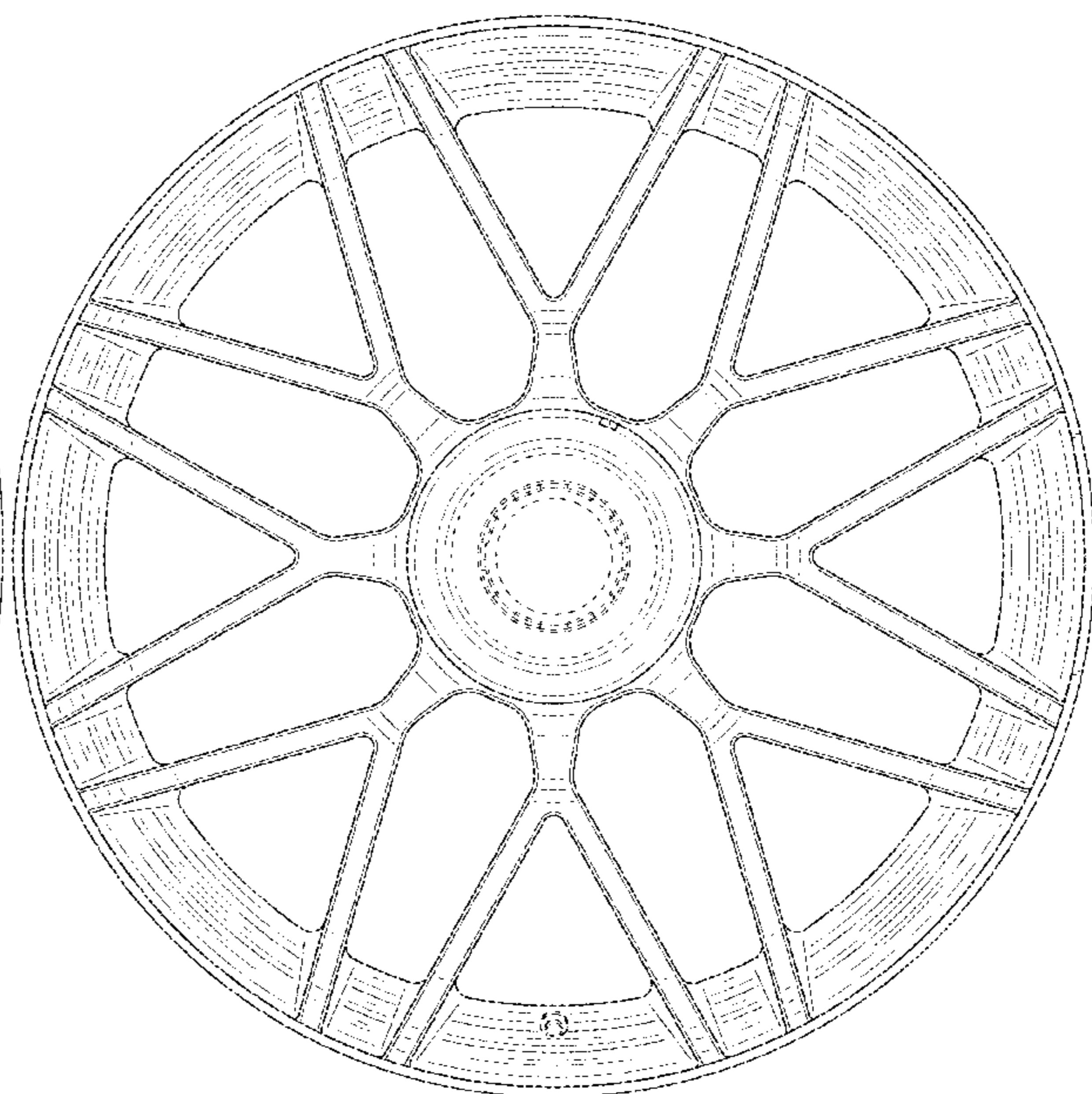
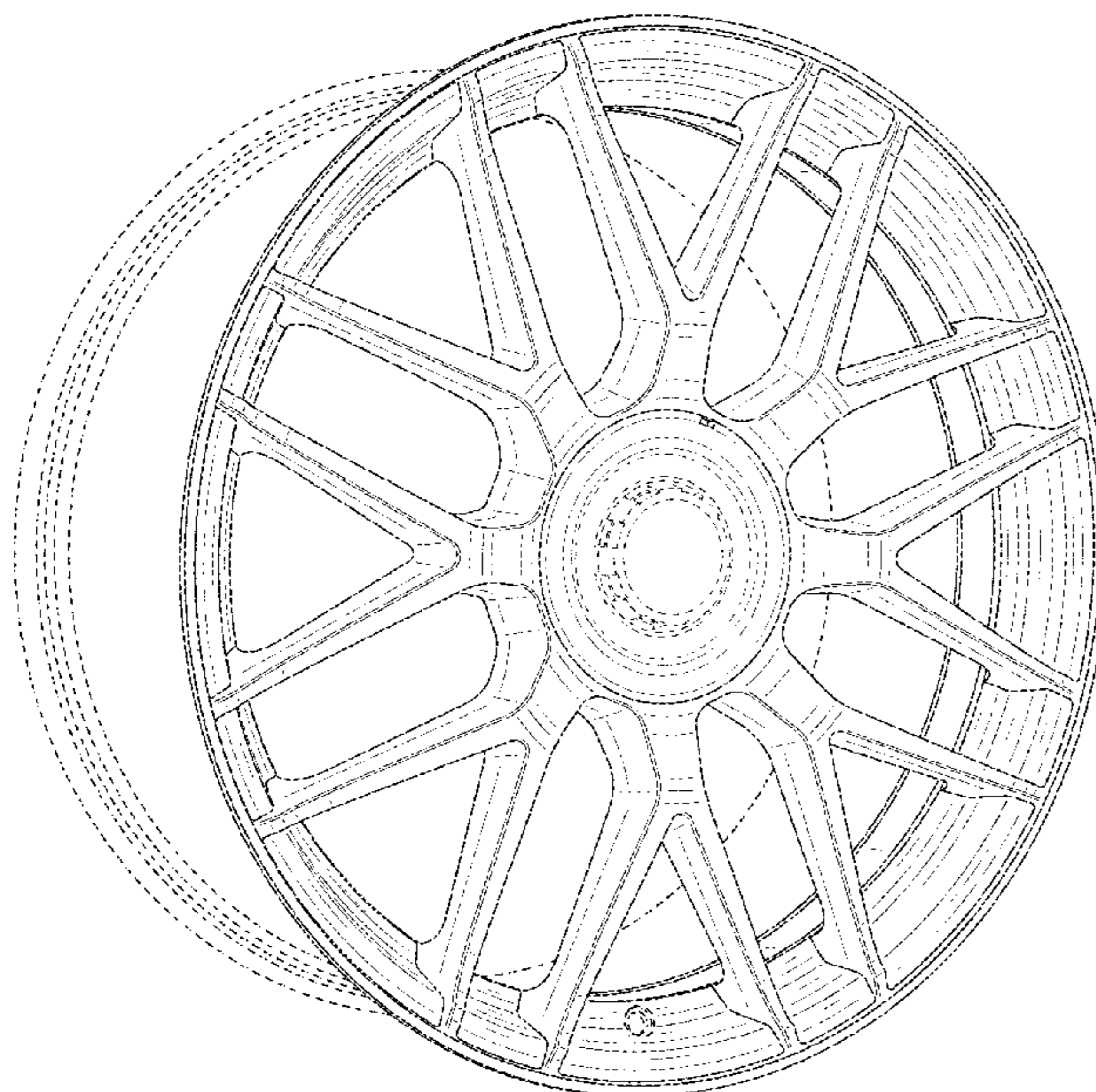
(57) **CLAIM**

I claim the ornamental design for a vehicle wheel, as shown and described.

DESCRIPTION

FIG. 1 is a front perspective view of the vehicle wheel showing my new design; and, FIG. 2 is a front view of the vehicle wheel of FIG. 1. In the drawings, the broken lines depict portions of the wheel that form no part of the claimed design.

1 Claim, 2 Drawing Sheets



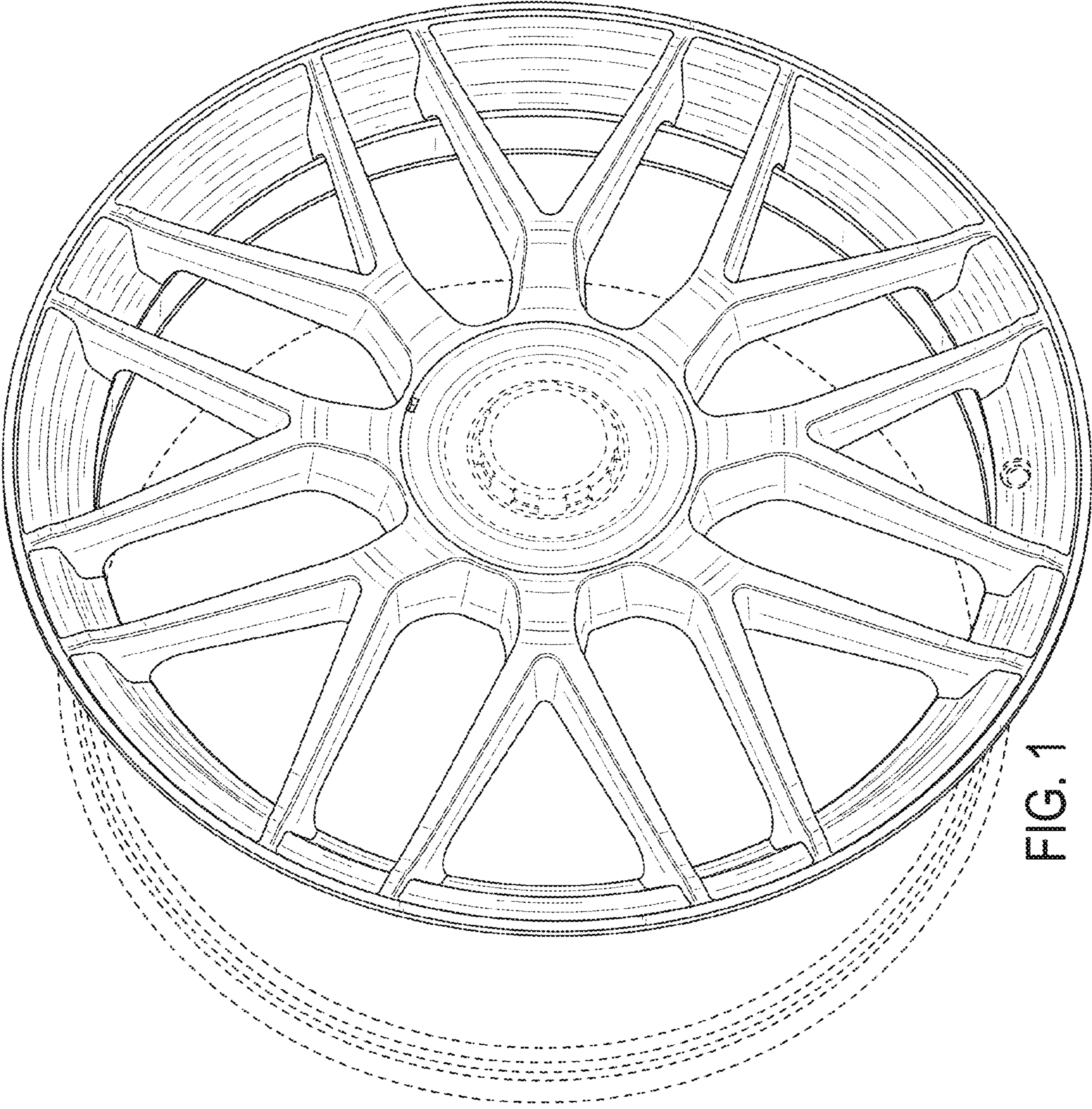


FIG. 1

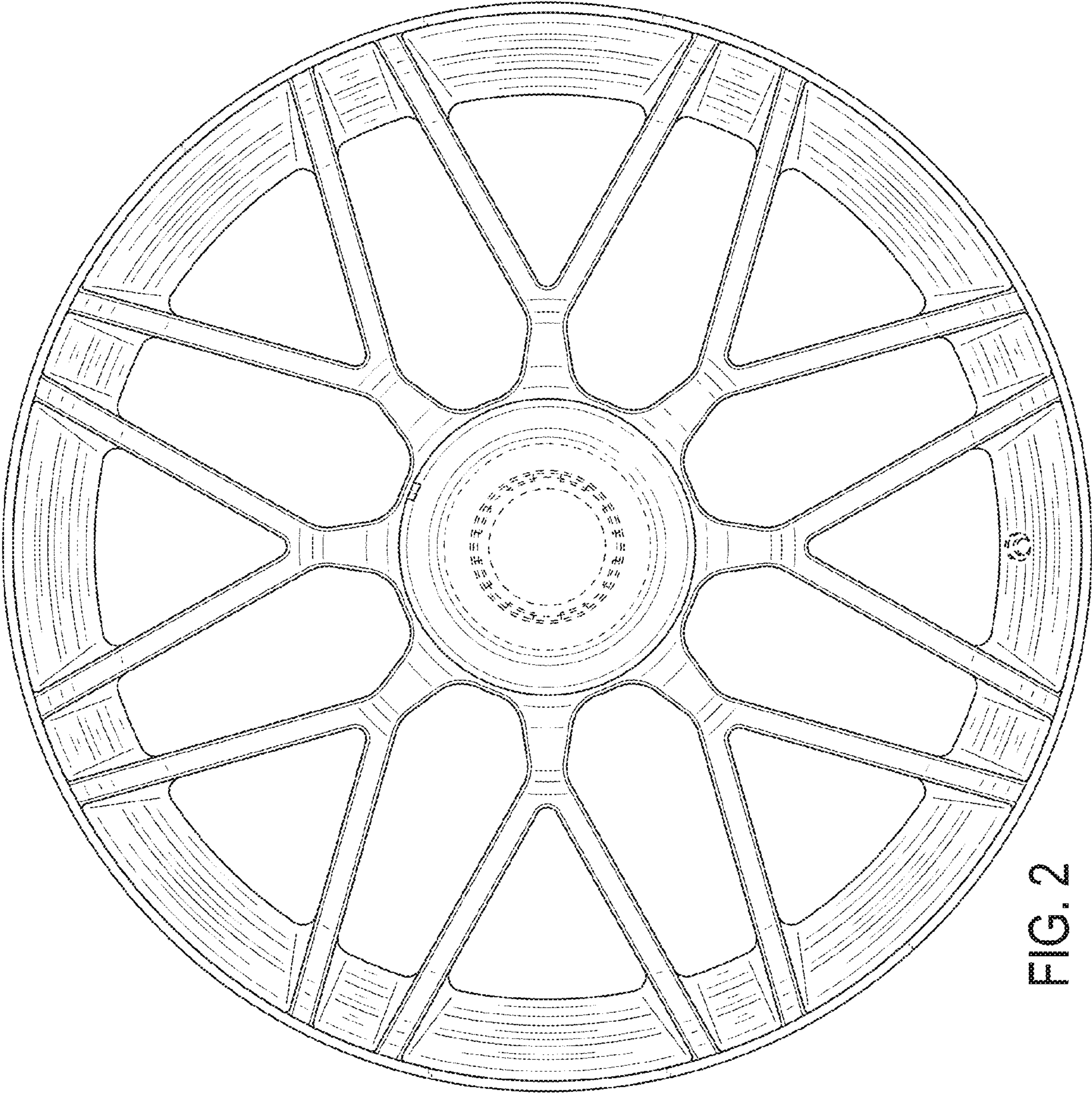


FIG. 2