



US00D929921S

(12) **United States Design Patent**
Vik et al.

(10) **Patent No.:** **US D929,921 S**

(45) **Date of Patent:** **** Sep. 7, 2021**

- (54) **CLEAR HUBCAP**
- (71) Applicant: **CNH Industrial America LLC**, New Holland, PA (US)
- (72) Inventors: **Brian D. Vik**, Barnesville, MN (US); **Anna J. Reisenauer**, West Fargo, ND (US); **Jason E. Weyer**, Fargo, ND (US); **Nathan J. Carlson**, West Fargo, ND (US)
- (73) Assignee: **CNH Industrial America LLC**, New Holland, PA (US)
- (**) Term: **15 Years**
- (21) Appl. No.: **29/650,031**
- (22) Filed: **Jun. 4, 2018**
- (51) **LOC (13) Cl.** **12-16**
- (52) **U.S. Cl.**
USPC **D12/207**
- (58) **Field of Classification Search**
USPC D15/28; D12/501, 207-123
CPC B60B 27/00; B60B 7/002; B60B 7/0013; B60B 7/006; B62D 55/092
See application file for complete search history.

- 6,273,519 B1 * 8/2001 Tsou B60B 7/002 301/108.2
- 6,447,072 B1 * 9/2002 Johnson F16C 33/664 301/108.2
- 6,485,110 B1 * 11/2002 Lasko F16N 19/003 180/9.1
- 7,731,300 B2 * 6/2010 Gerstenslager B60B 7/00 301/108.1
- D671,056 S * 11/2012 Burki D12/204
- 8,979,215 B2 * 3/2015 Kile B60B 7/002 301/108.2
- D749,482 S * 2/2016 Schroeder D12/207
- D762,140 S * 7/2016 Simula B62D 55/202 D12/12
- 9,399,369 B1 * 7/2016 Kile F16J 15/062
- 2008/0024004 A1 * 1/2008 Rempel B62D 55/15 305/136
- 2012/0187751 A1 * 7/2012 Kile B62D 55/092 305/119

(Continued)

Primary Examiner — Mark A Goodwin
(74) *Attorney, Agent, or Firm* — Rickard K. DeMille; Rebecca L. Henkel

(57) **CLAIM**

The ornamental design for a clear hubcap, as shown and described.

(56) **References Cited**

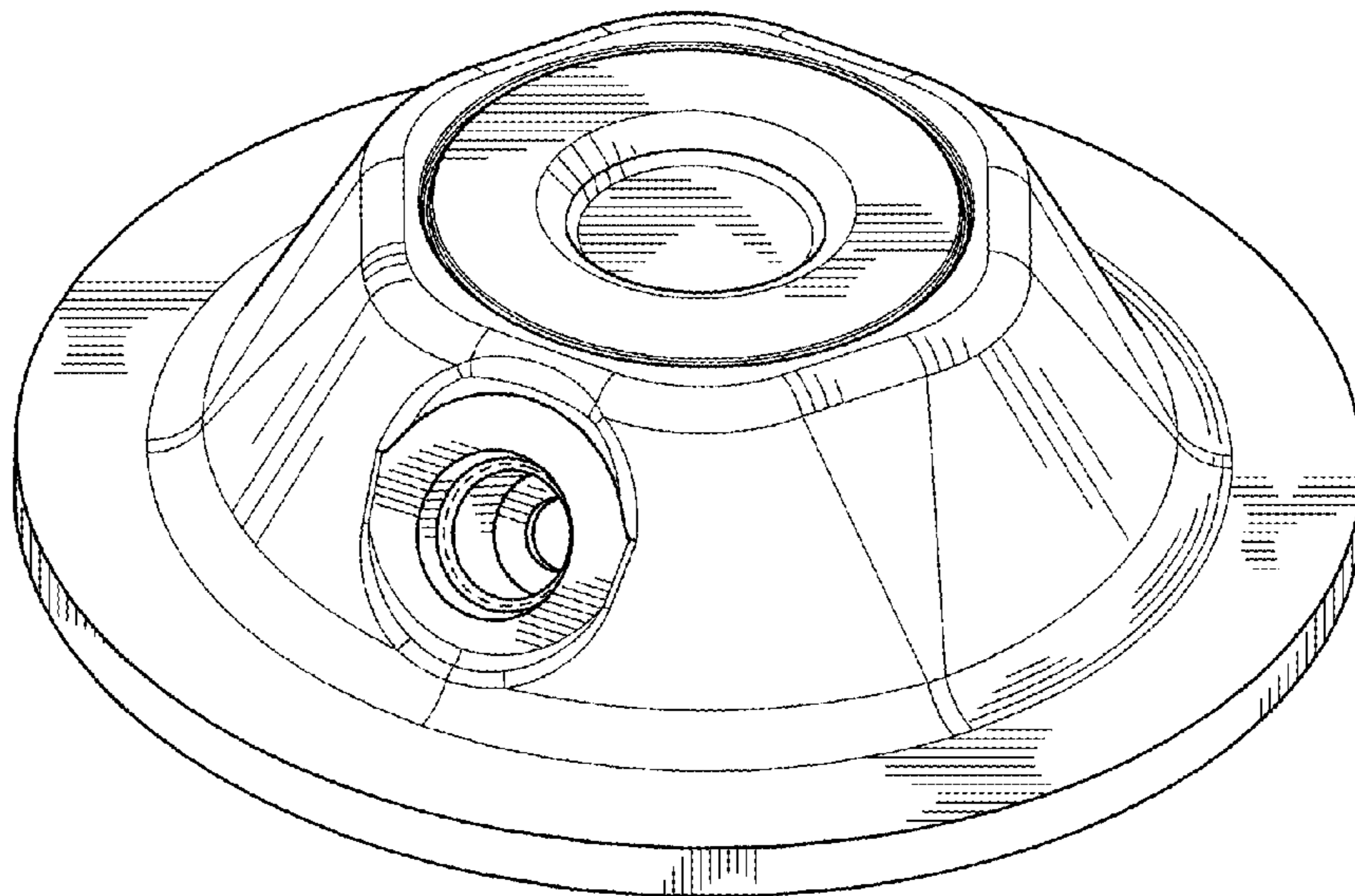
U.S. PATENT DOCUMENTS

- D80,711 S * 3/1930 Toncray D12/204
- 2,854,287 A * 9/1958 Stephens B60B 27/02 301/108.2
- 3,064,982 A * 11/1962 Stephens B60B 7/14 277/402
- 3,316,022 A * 4/1967 Isenbarger B60B 7/002 301/108.2
- 5,024,488 A * 6/1991 Lindhuber B60B 7/0013 301/108.4
- D321,164 S * 10/1991 Gibson D12/213
- 5,066,071 A * 11/1991 Kinser B60B 7/002 301/108.2

DESCRIPTION

FIG. 1 is a perspective view of an embodiment of a clear hubcap of the present design.
FIG. 2 is a front view of the clear hubcap of FIG. 1.
FIG. 3 is a rear view of the clear hubcap of FIG. 1.
FIG. 4 is a top view of the clear hubcap of FIG. 1.
FIG. 5 is a side view of the clear hubcap of FIG. 1; and,
FIG. 6 is a bottom view of the clear hubcap of FIG. 1.
The broken line showing in FIGS. 1, 2, and 4 is included for the purpose of illustrating a portion of the clear hubcap and forms no part of the claimed design.

1 Claim, 3 Drawing Sheets



(56)

References Cited

U.S. PATENT DOCUMENTS

2014/0152081 A1* 6/2014 Leung B60B 7/0013
301/108.2

* cited by examiner

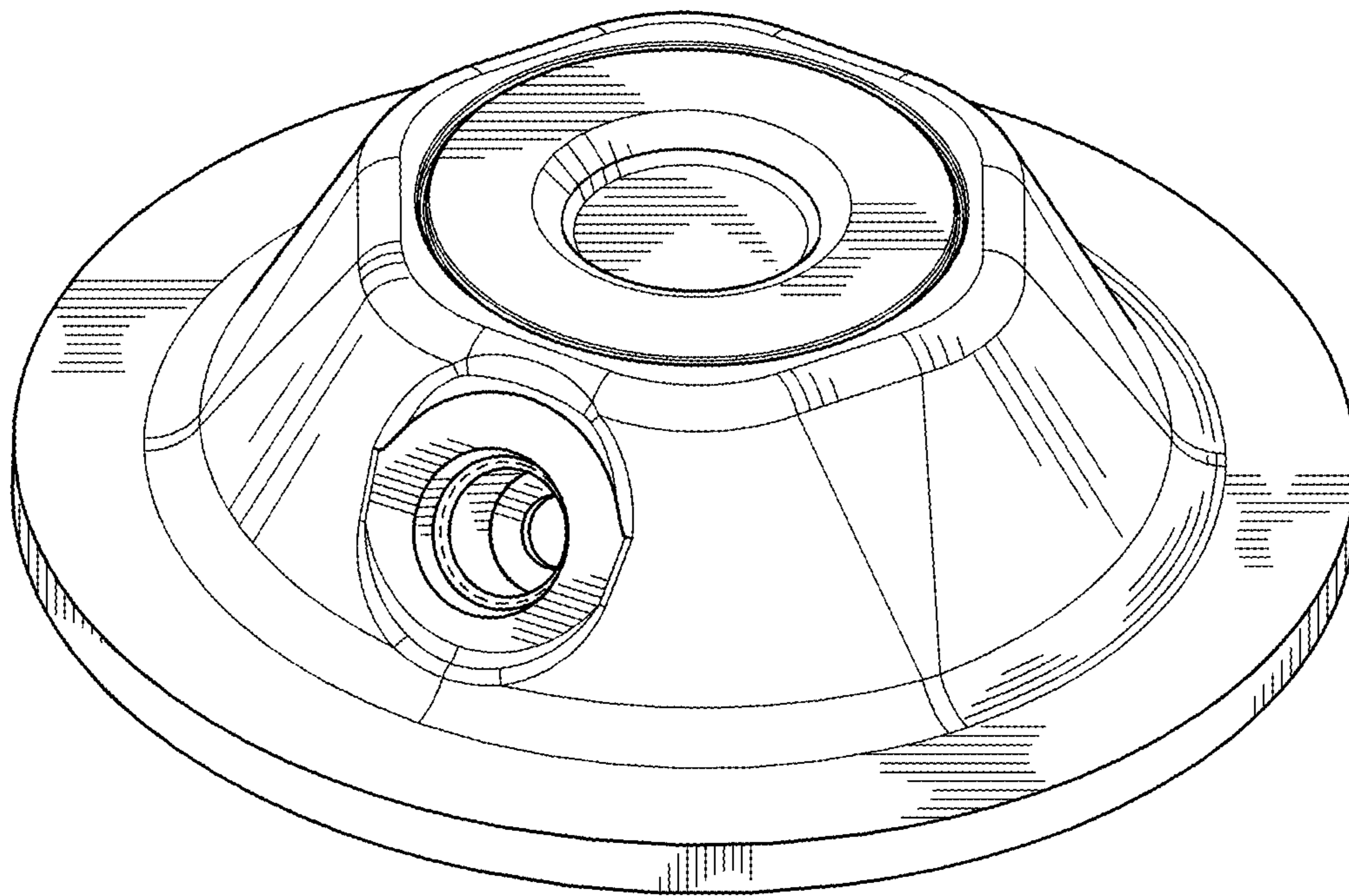


FIG. 1

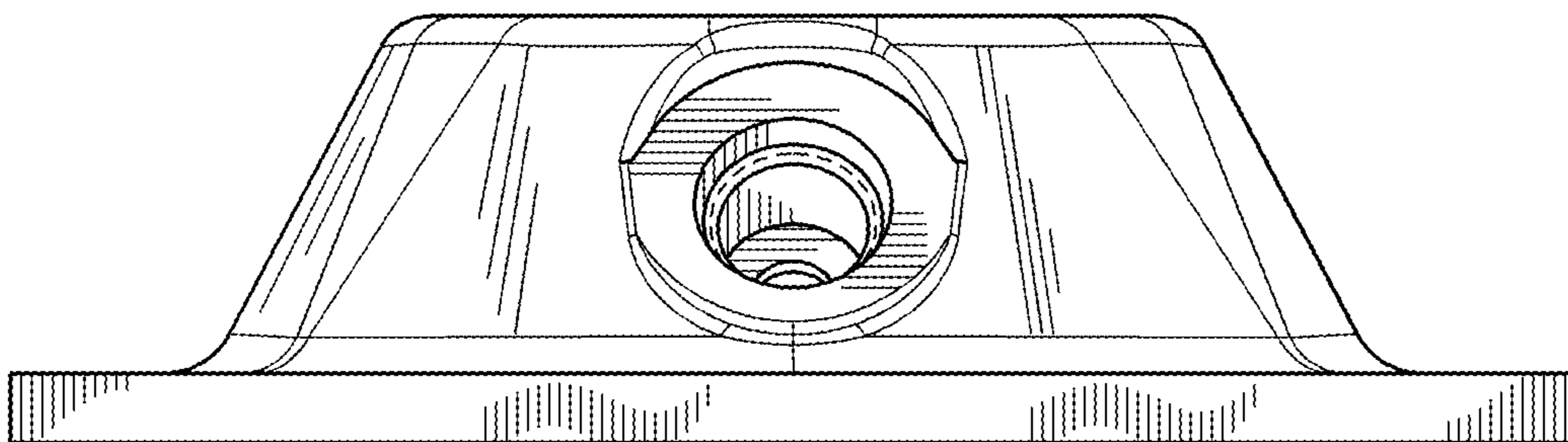


FIG. 2

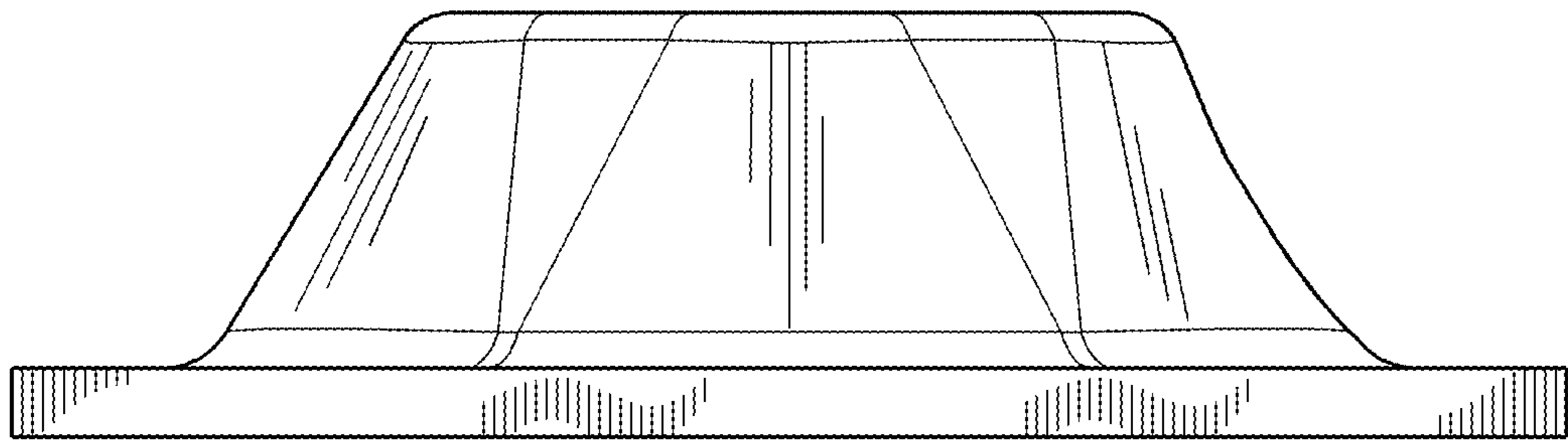


FIG. 3

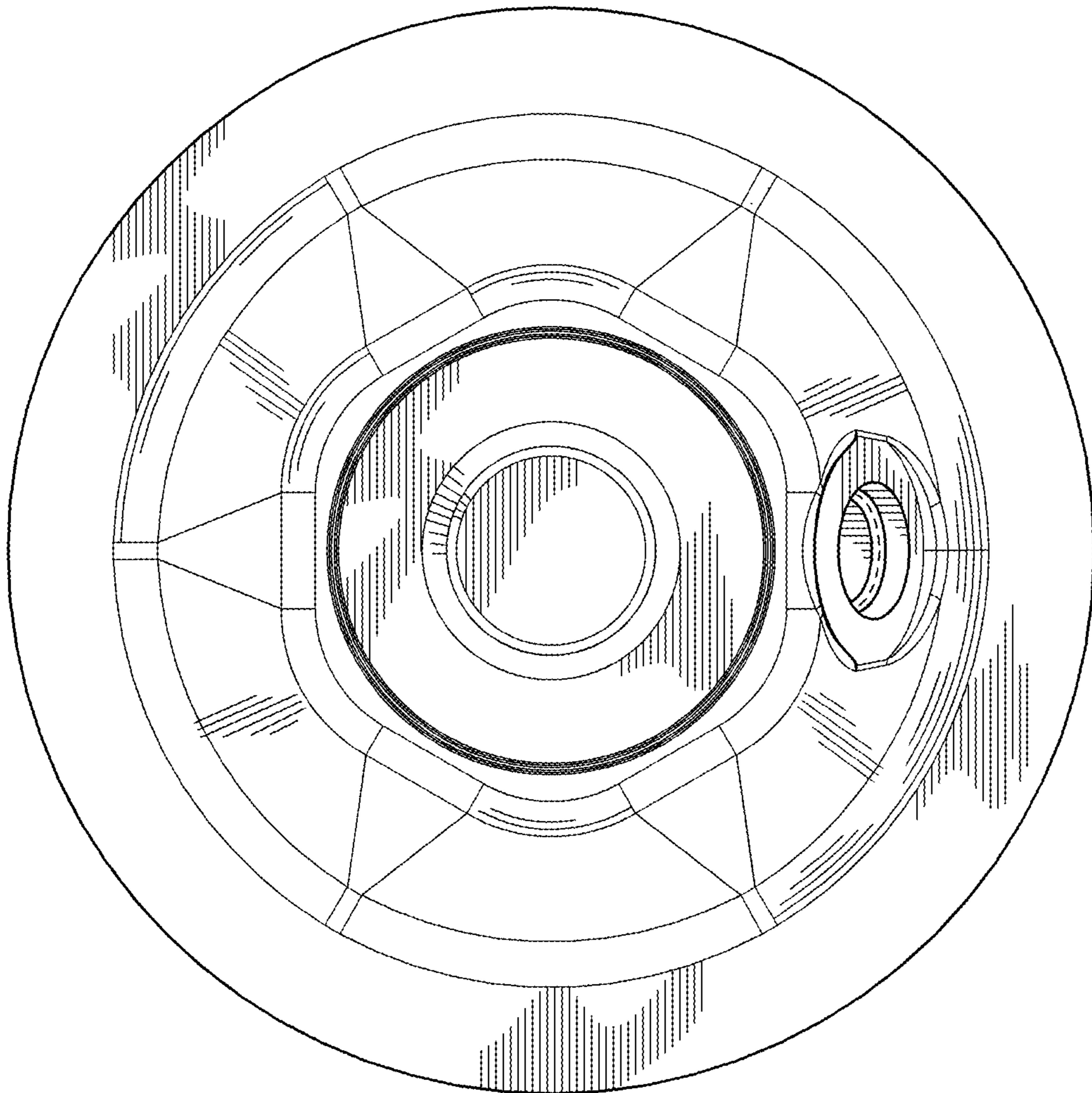


FIG. 4

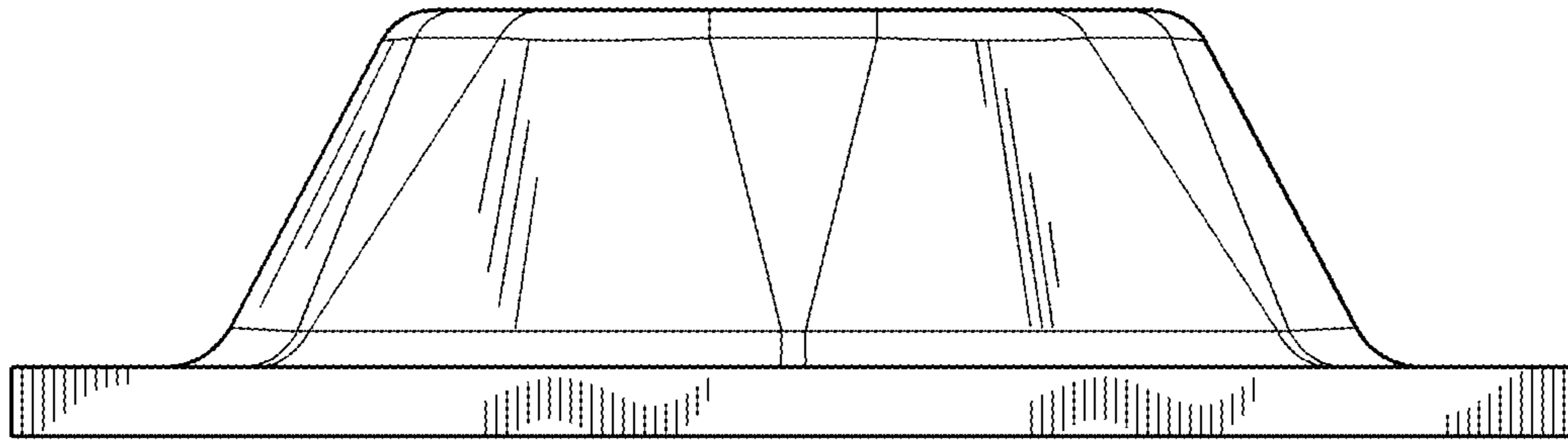


FIG. 5

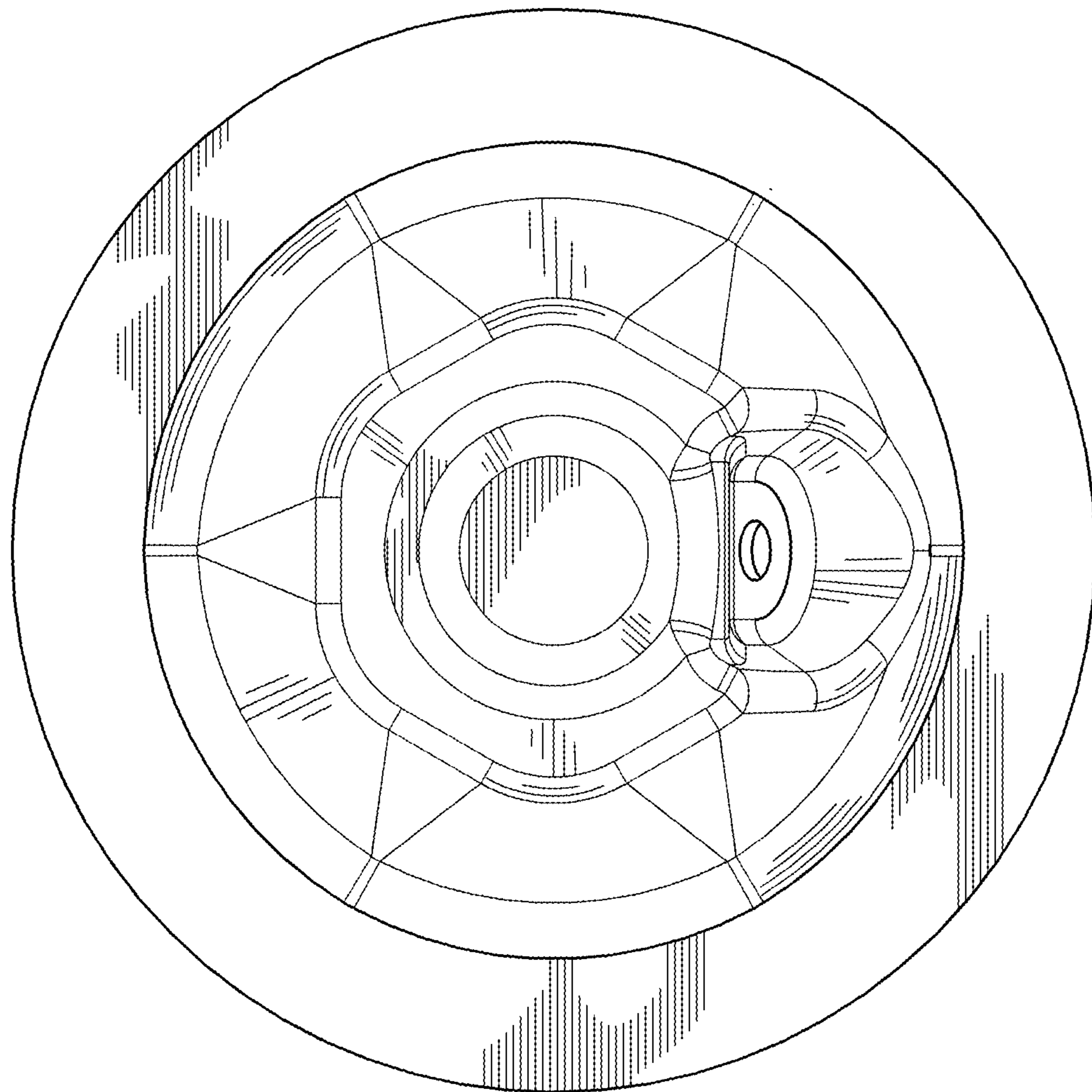


FIG. 6