



US00D929920S

(12) **United States Design Patent** (10) **Patent No.:** **US D929,920 S**  
**Metros et al.** (45) **Date of Patent:** **\*\* Sep. 7, 2021**

(54) **VEHICLE HOOD VENT**  
(71) Applicant: **Ford Global Technologies, LLC**,  
Dearborn, MI (US)  
(72) Inventors: **Craig S. Metros**, Bloomfield, MI (US);  
**Darrell Behmer**, Novi, MI (US);  
**Melvin Betancourt**, Shelby Township,  
MI (US); **Christopher Stevens**, Detroit,  
MI (US)

D854,992 S \* 7/2019 Pollard ..... D12/190  
D867,250 S \* 11/2019 Goodrich ..... D12/190  
D875,007 S \* 2/2020 DiCanzio ..... D12/190  
D875,008 S \* 2/2020 DiCanzio ..... D12/190  
D878,987 S \* 3/2020 Tovey ..... D12/190  
D882,472 S \* 4/2020 Goodrich ..... D12/190  
D898,644 S \* 10/2020 Buck ..... D12/190  
2003/0027516 A1\* 2/2003 Mafi ..... F24F 13/20  
454/276

(73) Assignee: **Ford Global Technologies, LLC**,  
Dearborn, MI (US)

(\*\*) Term: **15 Years**

(21) Appl. No.: **29/673,816**

(22) Filed: **Dec. 18, 2018**

(51) **LOC (13) Cl.** ..... **12-16**

(52) **U.S. Cl.**  
USPC ..... **D12/190**

(58) **Field of Classification Search**  
USPC ... D12/400, 90-92, 196-200, 171, 172, 110,  
D12/114

CPC ..... B60R 13/043; B60R 2013/0293; B60R  
13/02; B60R 13/04  
See application file for complete search history.

(56) **References Cited**

**U.S. PATENT DOCUMENTS**

D678,152 S 3/2013 Behmer et al.  
D726,080 S 4/2015 Mays et al.  
D751,013 S 3/2016 Curic et al.  
D826,798 S 8/2018 Behmer et al.  
D827,509 S \* 9/2018 Behmer ..... D12/163  
10,266,212 B2 \* 4/2019 Overgaard ..... B62D 25/24

**OTHER PUBLICATIONS**

Reese Counts, 2020 Ford Shelby GT500 revealed in Instagram post,  
<https://www.autoblog.com> Oct. 18, 2018.

\* cited by examiner

*Primary Examiner* — Katrina A Betton

(74) *Attorney, Agent, or Firm* — Michael Spenner

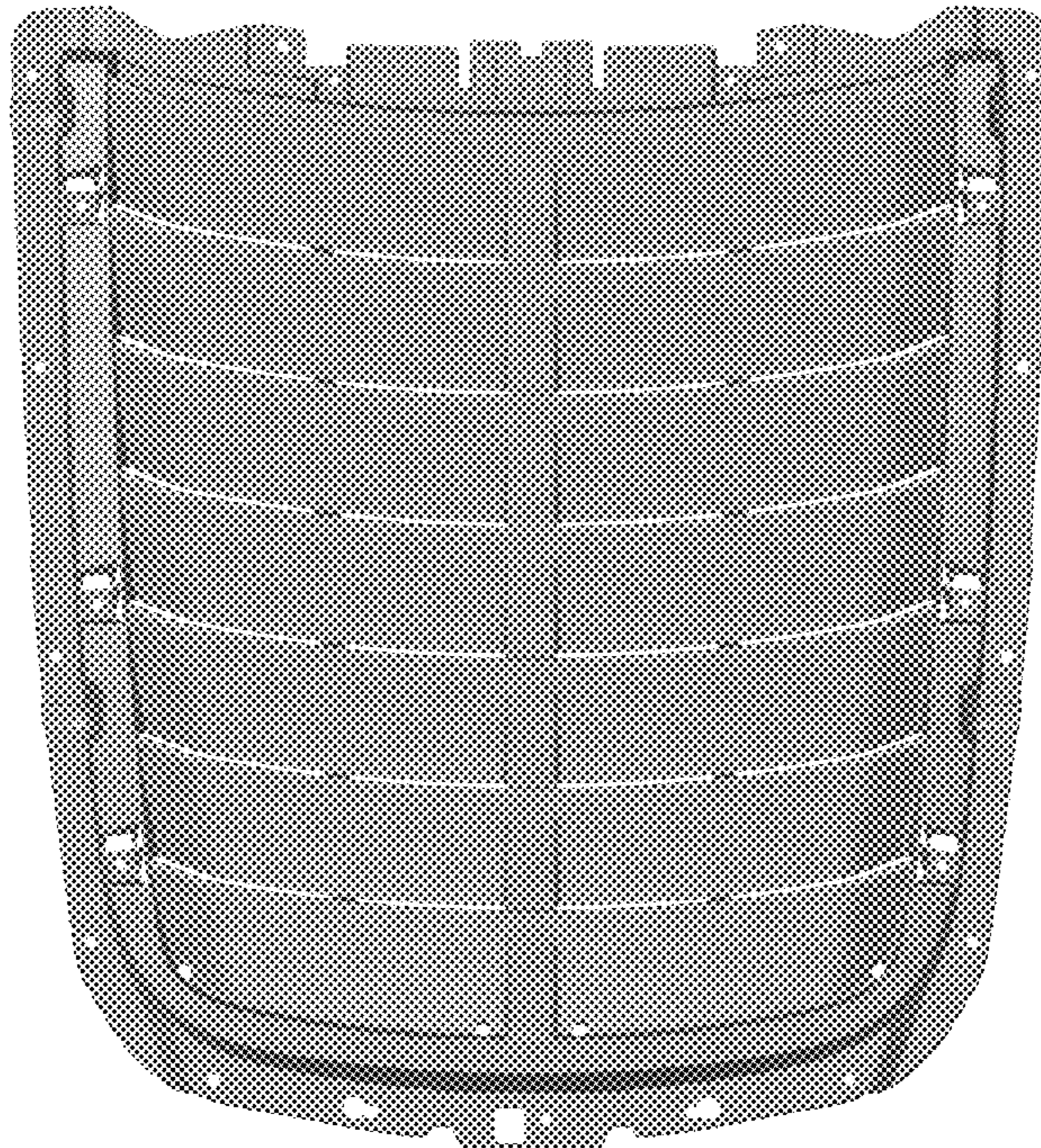
(57) **CLAIM**

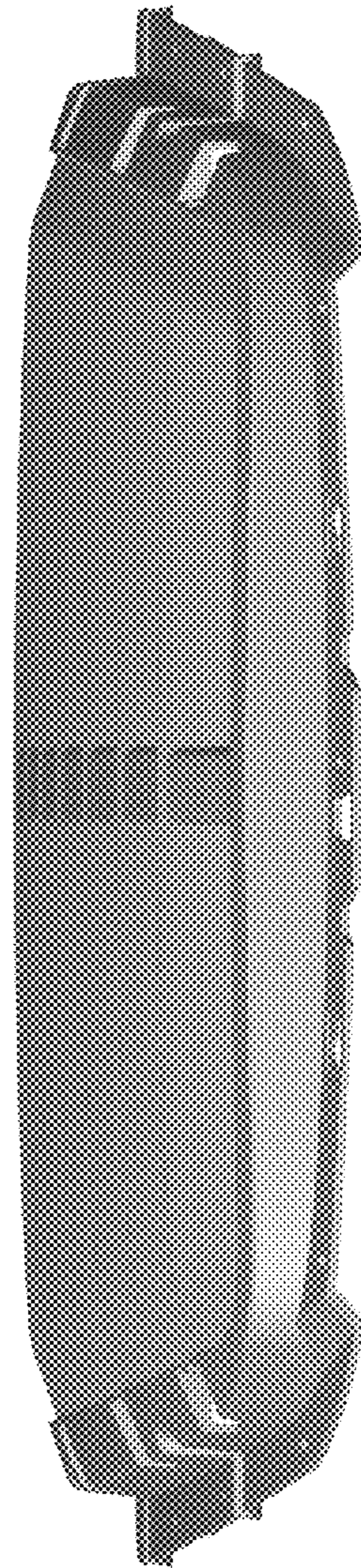
The ornamental design for a vehicle hood vent, as shown  
and described.

**DESCRIPTION**

FIG. 1 is a front elevational view of a vehicle hood vent,  
showing our new design;  
FIG. 2 is a left side elevational view thereof;  
FIG. 3 is a right side elevational view thereof;  
FIG. 4 is a top plan view thereof;  
FIG. 5 is a bottom plan view thereof.  
FIG. 6 is a top, front, and left side perspective view thereof;  
and,  
FIG. 7 is a top, rear, and left side perspective view thereof.

**1 Claim, 7 Drawing Sheets**





*Fig. 1*

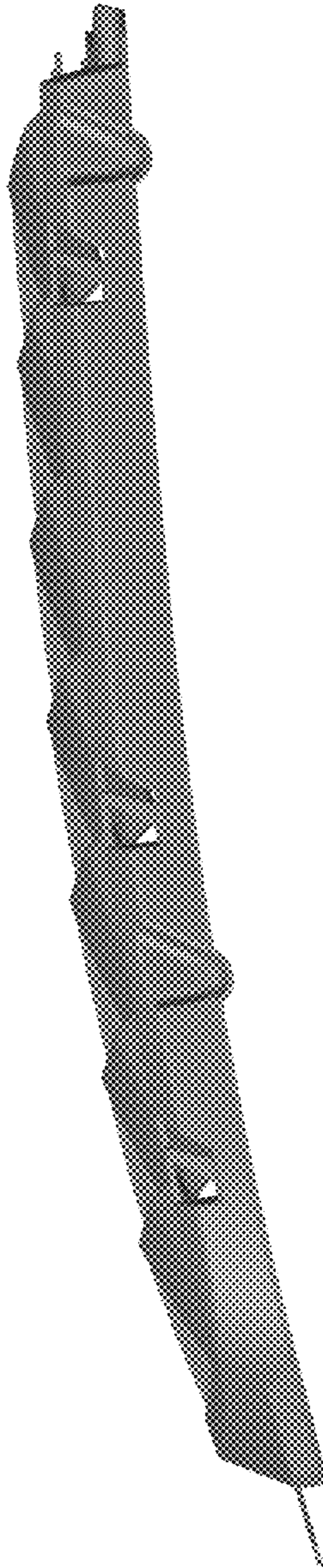


Fig. 2

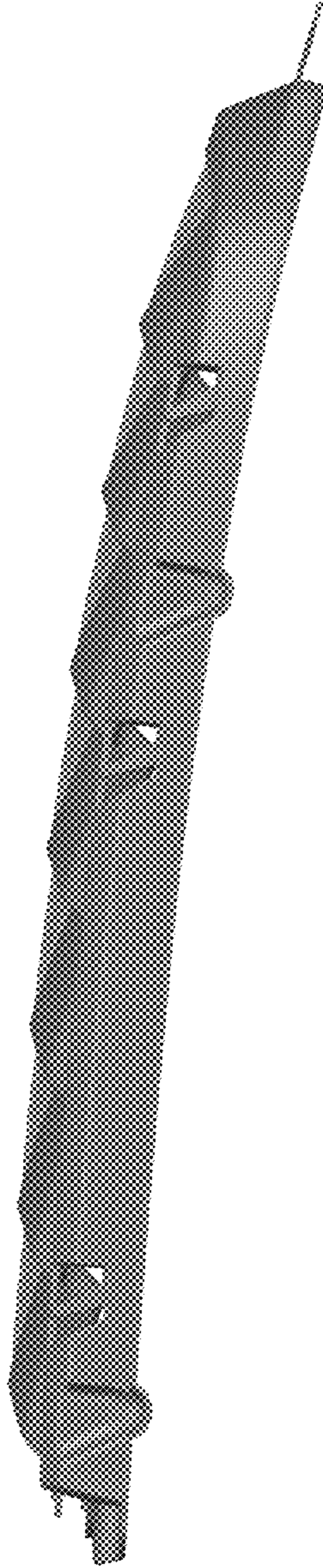
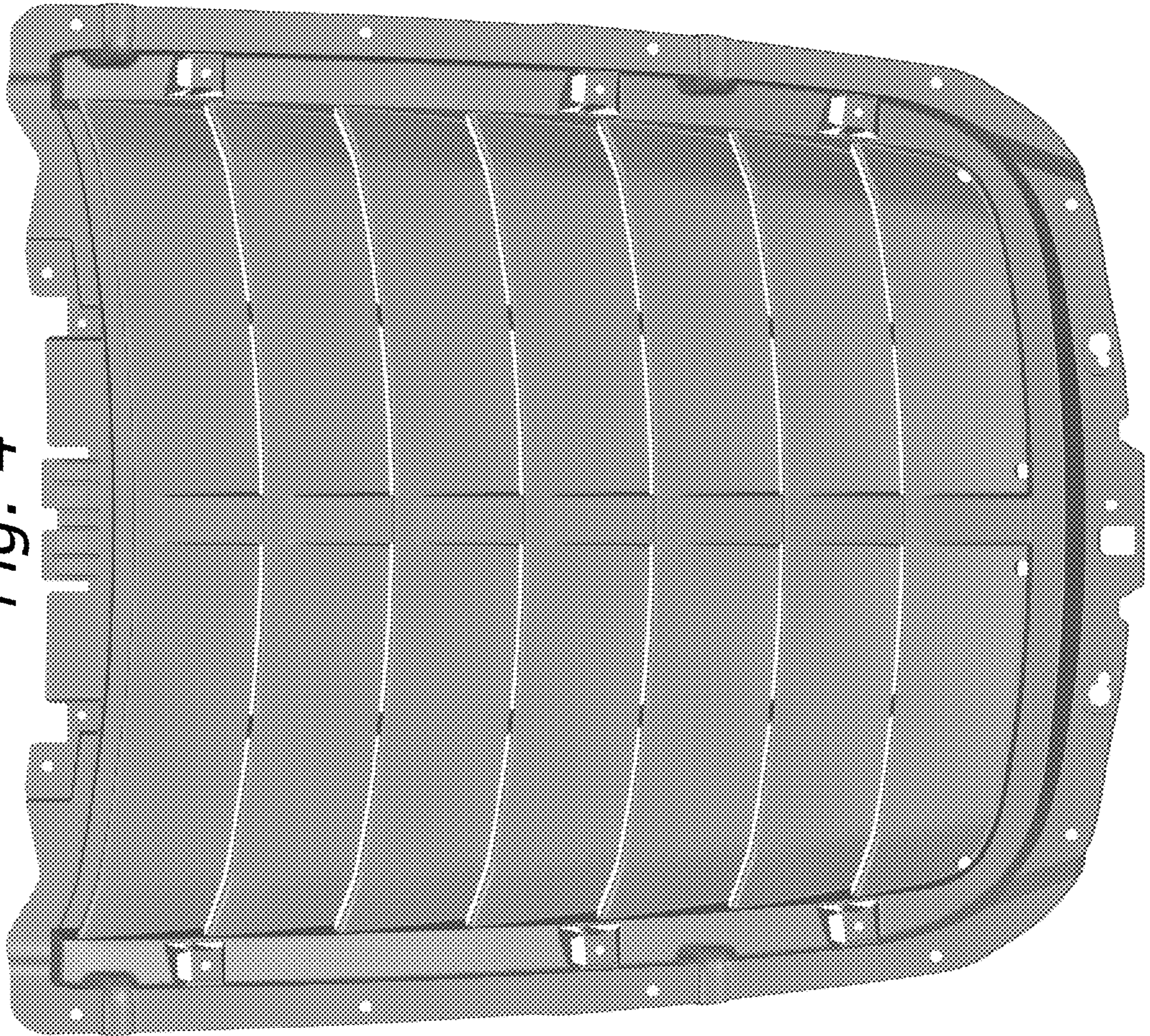


Fig. 3

Fig. 4



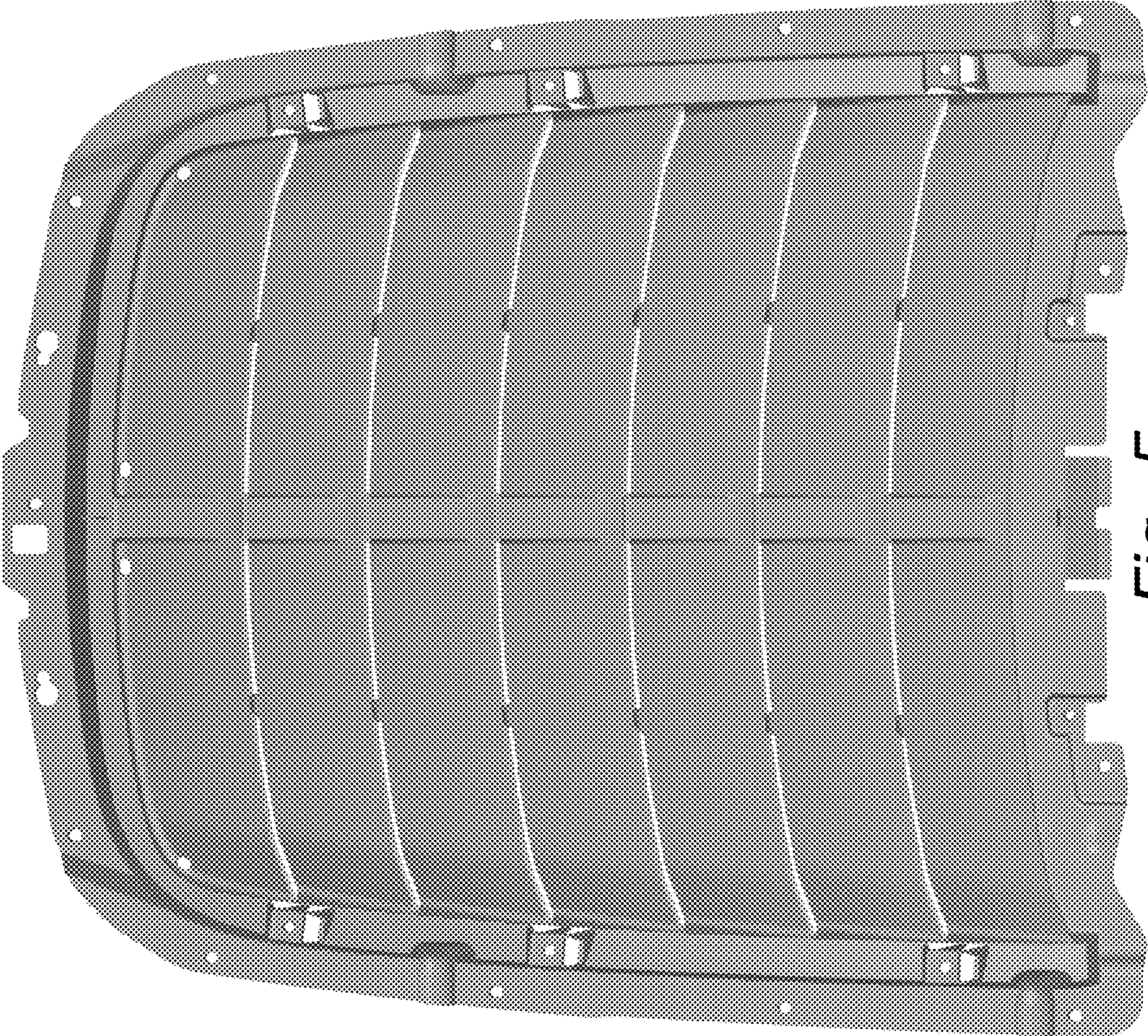


Fig. 5

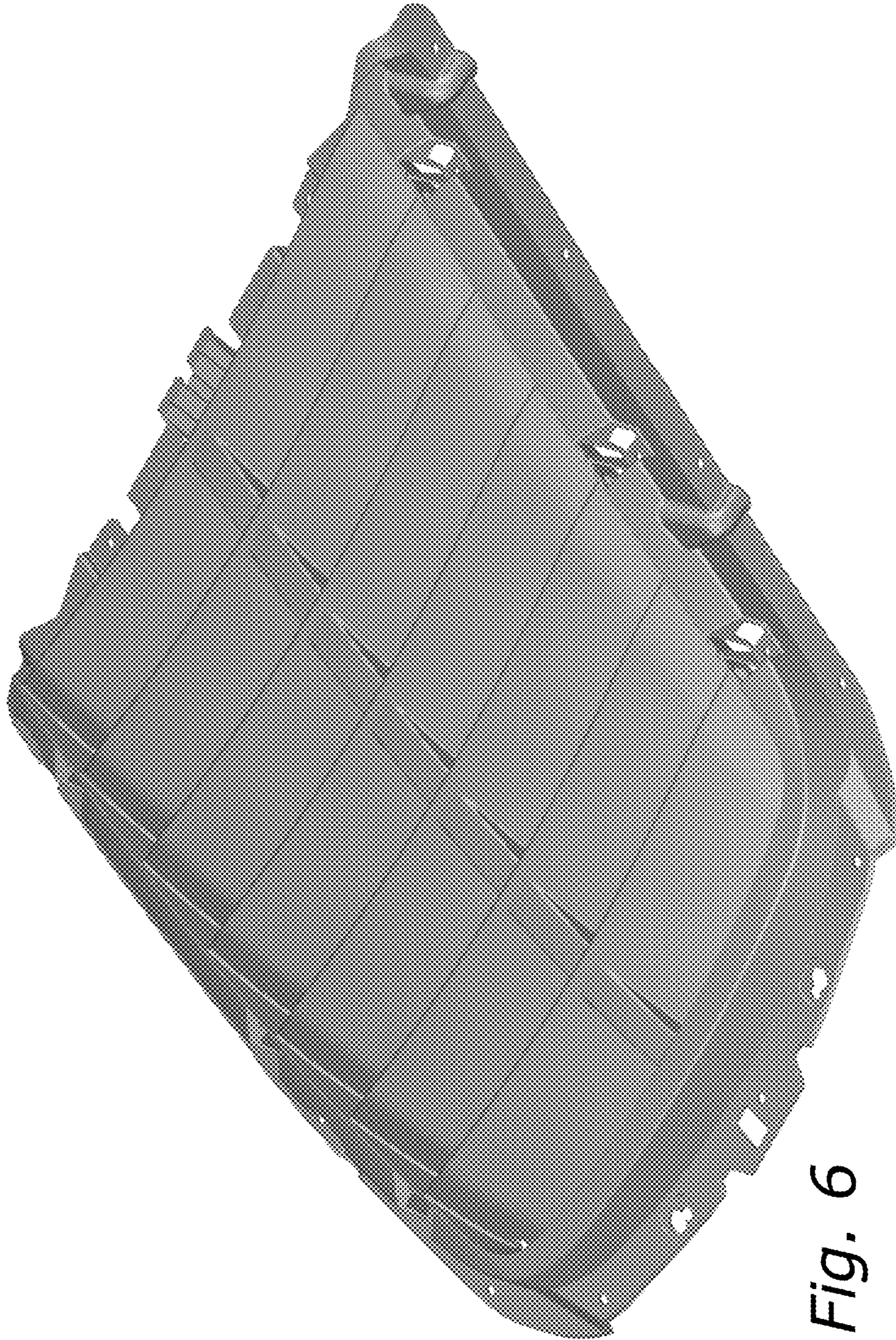


Fig. 6

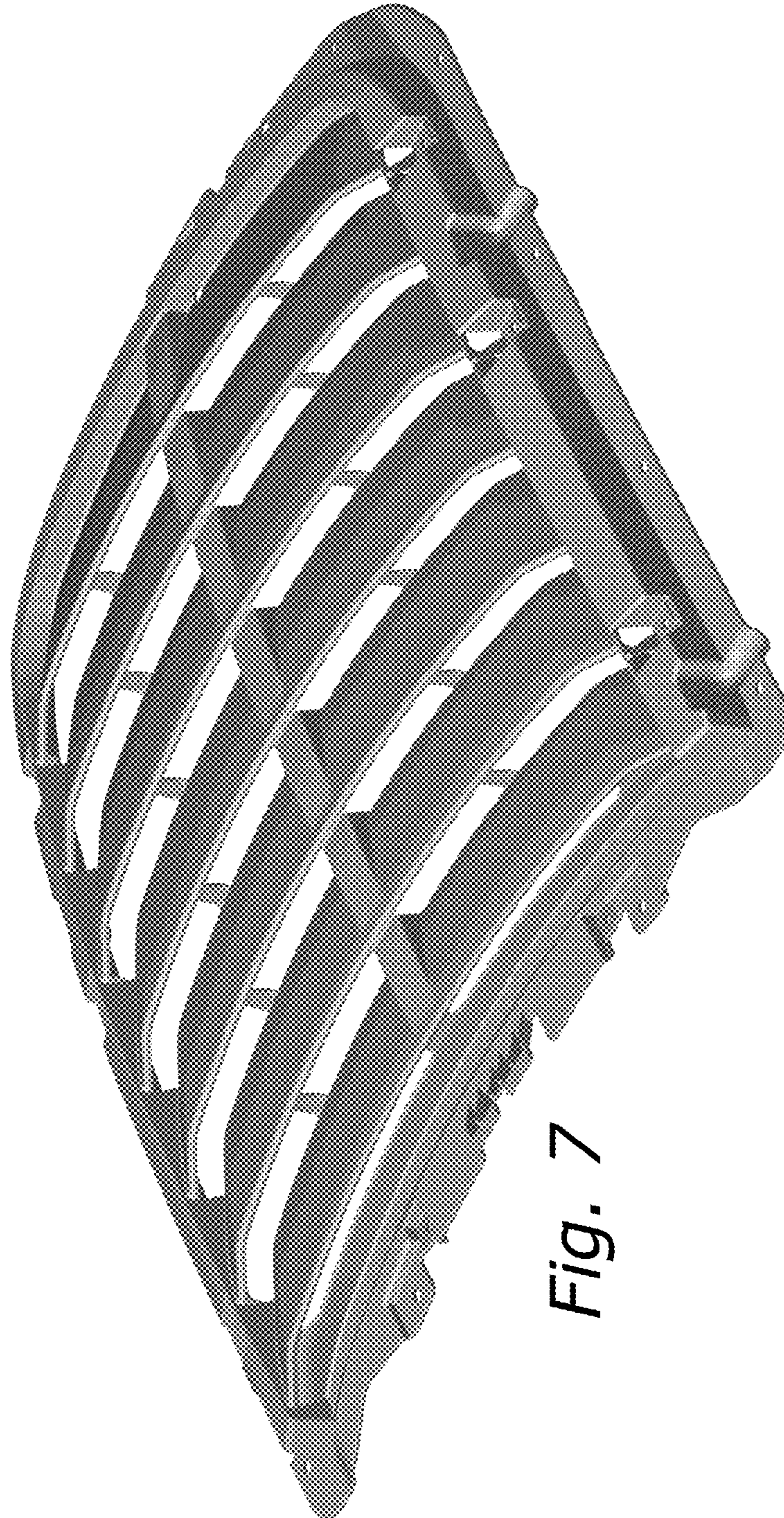


Fig. 7