



US00D929916S

(12) **United States Design Patent** (10) **Patent No.:** **US D929,916 S**
Kentley-Klay et al. (45) **Date of Patent:** **** Sep. 7, 2021**

(54) **FENDER**

(71) Applicant: **Zoox, Inc.**, Foster City, CA (US)

(72) Inventors: **Timothy David Kentley-Klay**, Stanford, CA (US); **Nahuel Elias Battaglia**, Stanford, CA (US); **Herman Francisco Delos Santos**, Redwood City, CA (US); **Richard Luke Osellame**, Redwood City, CA (US); **Christopher John Stoffel**, San Carlos, CA (US)

(73) Assignee: **Zoox, Inc.**, Foster City, CA (US)

(**) Term: **15 Years**

(21) Appl. No.: **29/655,157**

(22) Filed: **Jun. 29, 2018**

(51) **LOC (13) Cl.** **12-16**

(52) **U.S. Cl.**
USPC **D12/184**

(58) **Field of Classification Search**
USPC D12/114, 181, 184, 196, 86, 88, 90, 91, D12/92, 110, 111, 117, 126, 163, 169, D12/171, 173, 185, 186, 190, 191, 205, D12/216, 388, 419, 421, 423, 426, 501, D12/534; D15/28; D8/330, 331, 333, D8/334, 339, 343; D21/760, 763, 765, D21/766, 769, 771, 776, 803
CPC B62D 25/16; B62D 25/18; B62D 25/02; B62D 25/161; B62D 25/168; B62D 25/184; B62D 51/02; B60R 13/00; B60R 13/08; B32B 27/08; B62J 15/00; B62J 15/02; B62J 23/00; B62K 2202/00; B62K 2207/00; B62K 2207/02; B62H 5/00; B62H 5/003; A63C 17/01; A63C 17/12; A63C 2203/00; A63C 2203/011; A63C 2203/012; A63C 2203/013; A63C 2203/40; A63C 2203/52

See application file for complete search history.

(56) **References Cited**

U.S. PATENT DOCUMENTS

D389,786 S * 1/1998 McCullum D12/106
D456,329 S * 4/2002 Thomas D12/186
D461,150 S * 8/2002 Myers D12/186
D482,304 S * 11/2003 Song D12/186

(Continued)

OTHER PUBLICATIONS

“Harley-Davidson Custom Wrapped Front Fender.” Oct. 31, 2016. Baggers, <https://www.baggersmag.com/harley-davidson-custom-wrapped-front-fender> (Year: 2016).*

(Continued)

Primary Examiner — Brett Miller

Assistant Examiner — Suzanne E Tisdell

(74) *Attorney, Agent, or Firm* — Lee & Hayes, P.C.

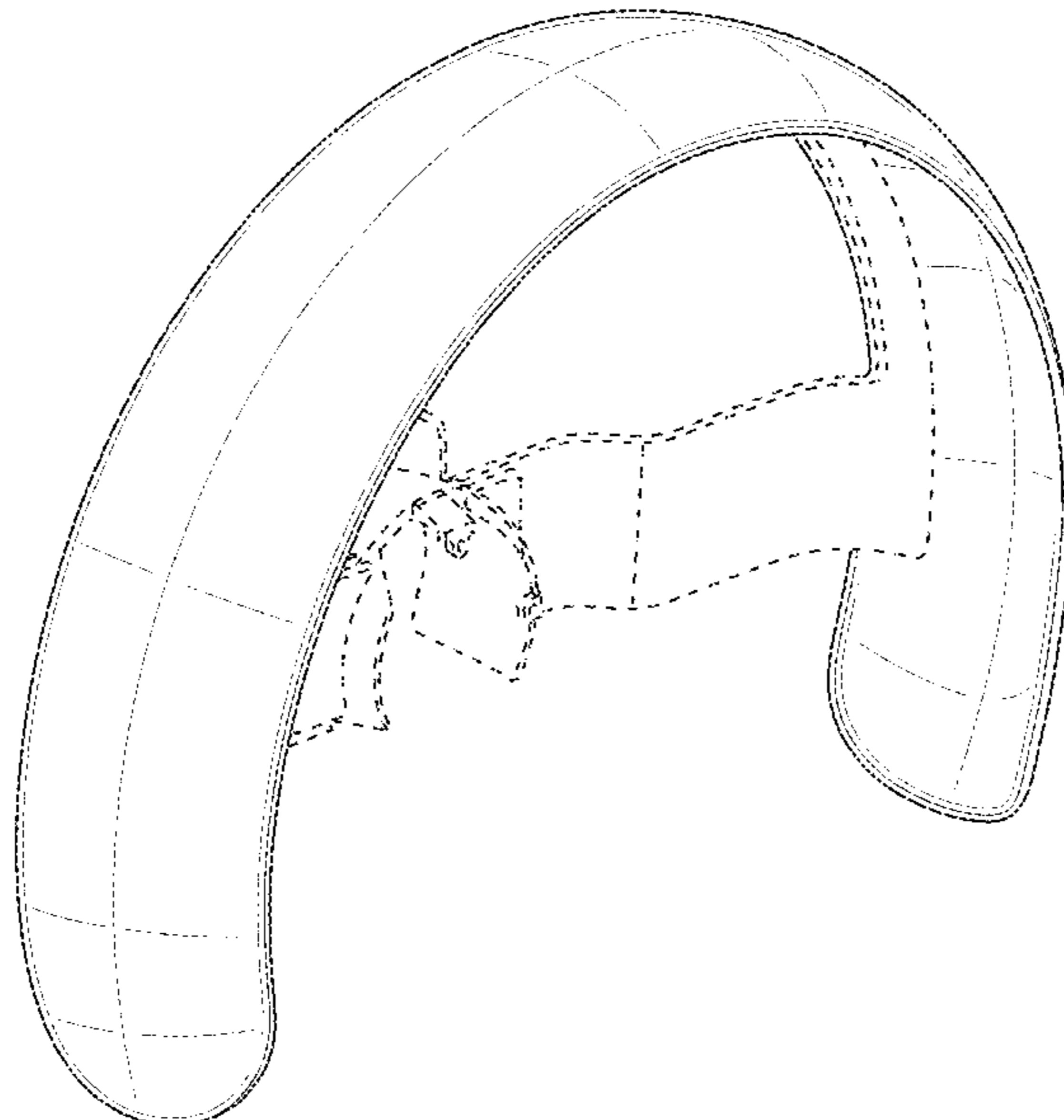
(57) **CLAIM**

The ornamental design for a fender, as shown and described.

DESCRIPTION

FIG. 1 is a front perspective view of a fender. The design includes a mirror image of the embodiment depicted; FIG. 2 is a back perspective view thereof; FIG. 3 is a front view thereof; FIG. 4 is a back view thereof; FIG. 5 is a right-side view thereof; FIG. 6 is a left-side view thereof; FIG. 7 is a top view thereof; FIG. 8 is a bottom view thereof; and, FIG. 9 is an alternative perspective view including disclaimed environment of the fender. The broken lines depict portions of the fender or environment of the fender that form no part of the claimed design.

1 Claim, 9 Drawing Sheets



(56)

References Cited

U.S. PATENT DOCUMENTS

D499,994 S * 12/2004 Sugimoto D12/186
 D514,487 S * 2/2006 Asao D12/186
 D524,202 S * 7/2006 Devitt D12/106
 D525,924 S * 8/2006 MacKarvich D12/106
 D571,261 S * 6/2008 MacKarvich D12/106
 D580,328 S * 11/2008 Jones D12/184
 D581,845 S * 12/2008 Longpre D12/107
 D591,654 S * 5/2009 Williams D12/184
 D591,656 S * 5/2009 Golden D12/184
 D591,658 S * 5/2009 Golden D12/184
 D612,781 S * 3/2010 Harrell, Jr. D12/186
 9,278,716 B1 * 3/2016 Joseph B62D 25/18
 D756,870 S * 5/2016 Tsutamori D12/184
 D758,935 S * 6/2016 Platto D12/184
 D763,754 S * 8/2016 Sanders D12/184
 9,403,557 B1 * 8/2016 Sharma C21D 1/06
 D765,569 S * 9/2016 Hall D12/184
 9,487,238 B2 * 11/2016 Iwano B62D 25/025
 D774,104 S * 12/2016 Underhill D15/28
 D775,031 S * 12/2016 Frascella D12/184
 D787,395 S * 5/2017 Curie D12/181
 9,669,876 B2 * 6/2017 Iwano B62D 25/04
 9,738,322 B2 * 8/2017 Matthiessen B62D 25/02
 D801,896 S * 11/2017 Ito D12/181
 D803,119 S * 11/2017 Beermann D12/184
 D803,741 S * 11/2017 Tsubaki D12/184
 D805,013 S * 12/2017 Whitla D12/181
 D806,622 S * 1/2018 Granlund D12/184
 D807,261 S * 1/2018 Zavatski D12/184
 9,890,966 B2 * 2/2018 Mueller B62D 25/16
 D813,768 S * 3/2018 Serotta D12/186
 D817,829 S * 5/2018 Behmer D12/184
 D820,751 S * 6/2018 Luk D12/184
 D823,741 S * 7/2018 Kim D12/169
 10,023,241 B2 * 7/2018 Umemoto B62D 25/161
 10,035,543 B2 * 7/2018 Sato B62D 25/2036
 D826,811 S * 8/2018 Lim D12/184

D827,527 S * 9/2018 Loeb D12/184
 D827,528 S * 9/2018 Gueler D12/184
 D827,529 S * 9/2018 Al Attar D12/184
 D828,254 S * 9/2018 Simm D12/184
 10,077,085 B2 * 9/2018 Pfaffelhuber B62D 29/043
 D858,385 S * 9/2019 Phillips D12/184
 D861,561 S * 10/2019 Mallicote D12/184
 D866,404 S * 11/2019 Spagnotti D12/114
 D867,245 S * 11/2019 Ito D12/184
 D870,620 S * 12/2019 Hallgren D12/184
 D872,668 S * 1/2020 McGaughy D12/196
 D873,743 S * 1/2020 McGinley D12/186
 D875,006 S * 2/2020 DiCanzio D12/184
 D881,308 S * 4/2020 Doerksen D21/771
 D885,282 S * 5/2020 McGaughy D12/196
 D890,279 S * 7/2020 Doerksen D21/763
 D892,694 S * 8/2020 Li D12/196
 D894,049 S * 8/2020 Eyler D12/114
 D898,640 S * 10/2020 Rose D12/184
 D901,348 S * 11/2020 Goodrich D12/184
 D906,200 S * 12/2020 Bibb, VI D12/181
 D906,202 S * 12/2020 Bibb, VI D12/184

OTHER PUBLICATIONS

“Russ Wernimont Designs EZ-8 Front Fender—RWD-50251” Accessed Feb. 3, 2021. Dennis Kirk, <https://www.denniskirk.com/russ-wernimont-designs/ez-8-front-fender-rwd-50251.p398995.prd/398995.sku> (Year: 2021).
 “26-110 Raw Chief Front Fender.” Accessed Feb. 1, 2021. Indian Moto-Parts. <http://www.indianmotoparts.com/indian-26-110.html> (Year: 2021).
 “Front Fender For Yamaha YR1 & YDS3.” Before Jun. 23, 2016. BMI Karts. https://www.bmikarts.com/Front-Fender-For-Yamaha-YR1-YDS3_p_7577.html (Year: 2016).
 Chinese Office Action dated Apr. 9, 2019 for Chinese Patent Application No. 201830770697.X, a counterpart of U.S. Appl. No. 29/655,157, 1 page.

* cited by examiner

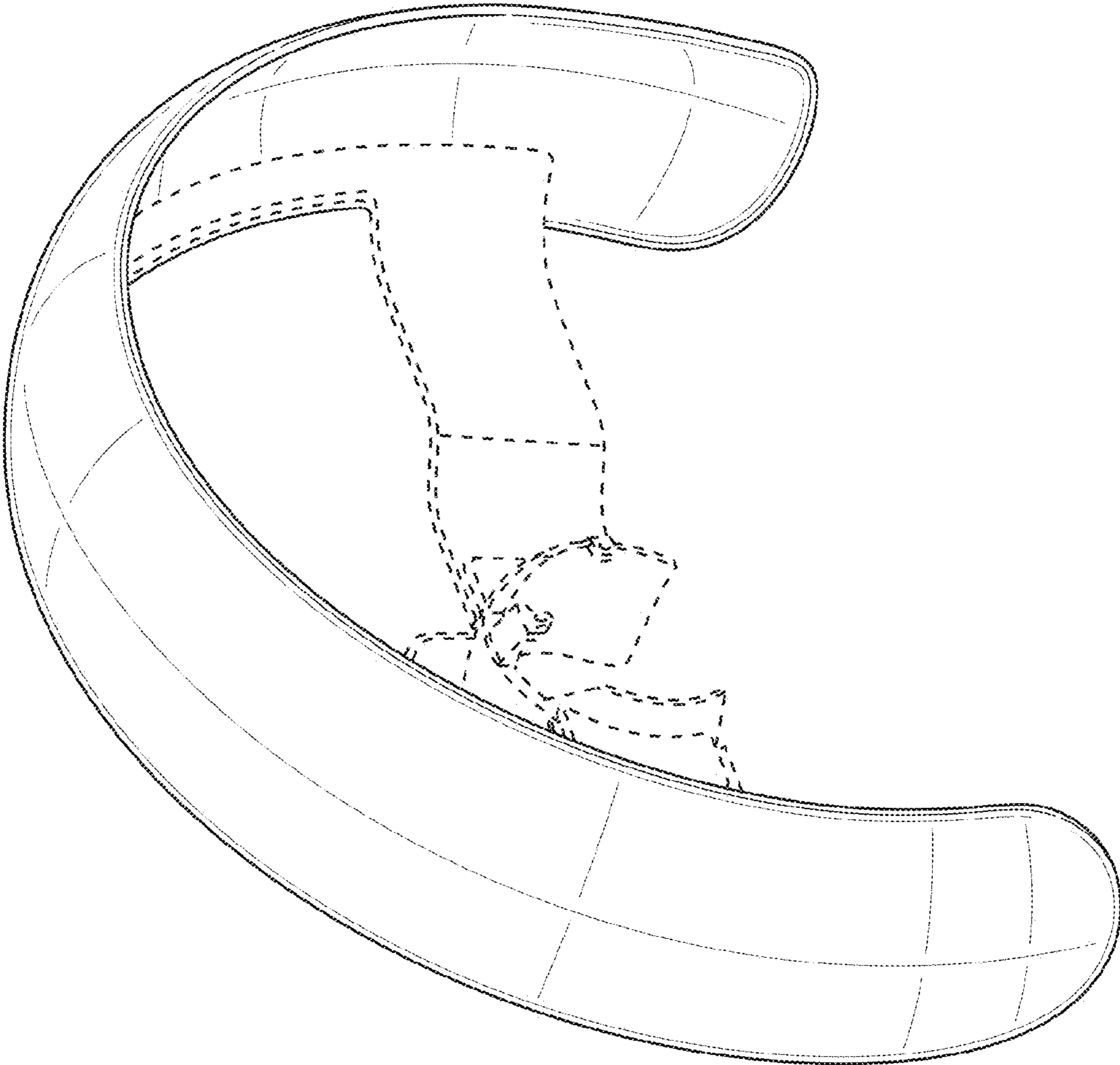


FIG. 1

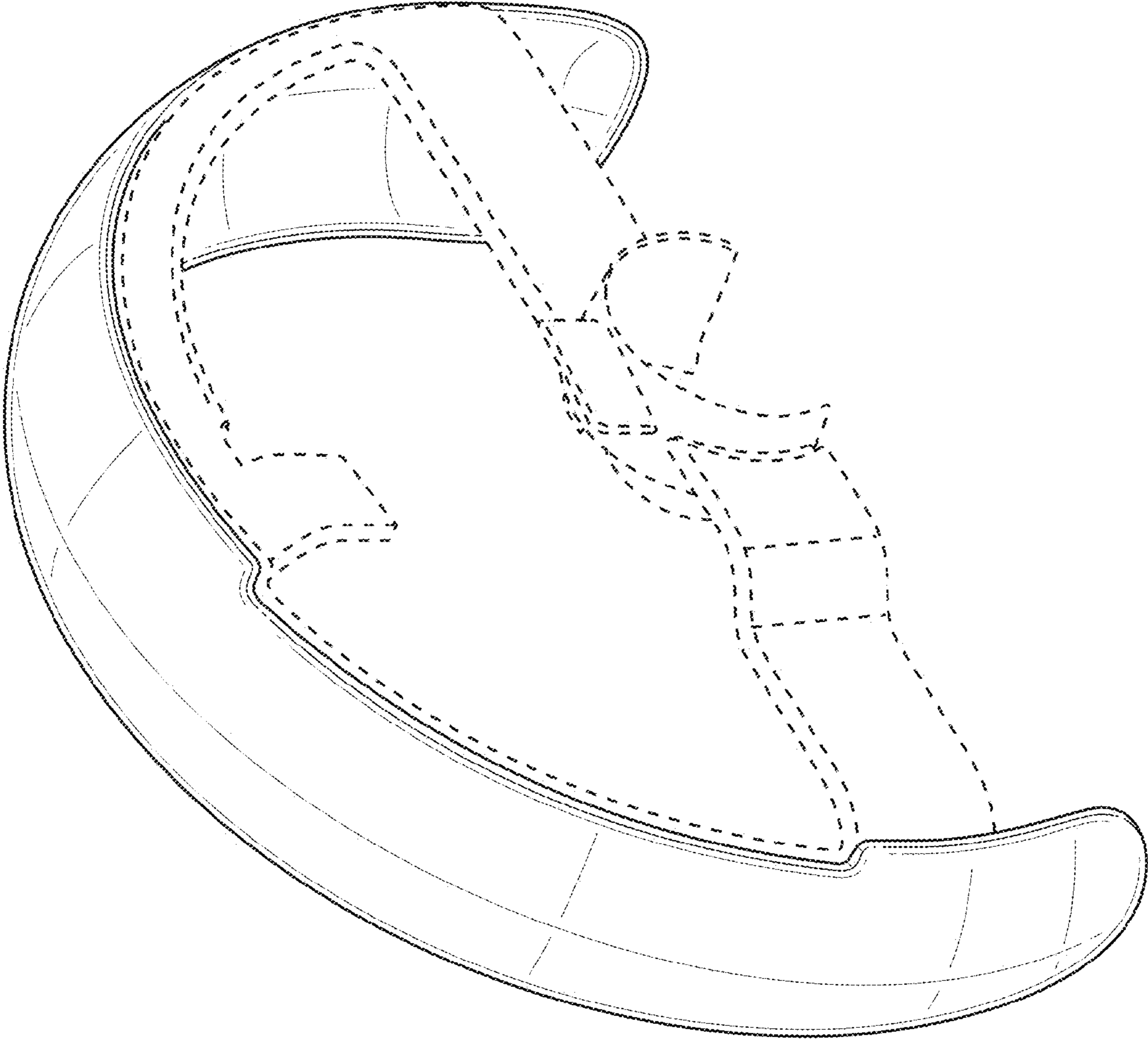


FIG. 2

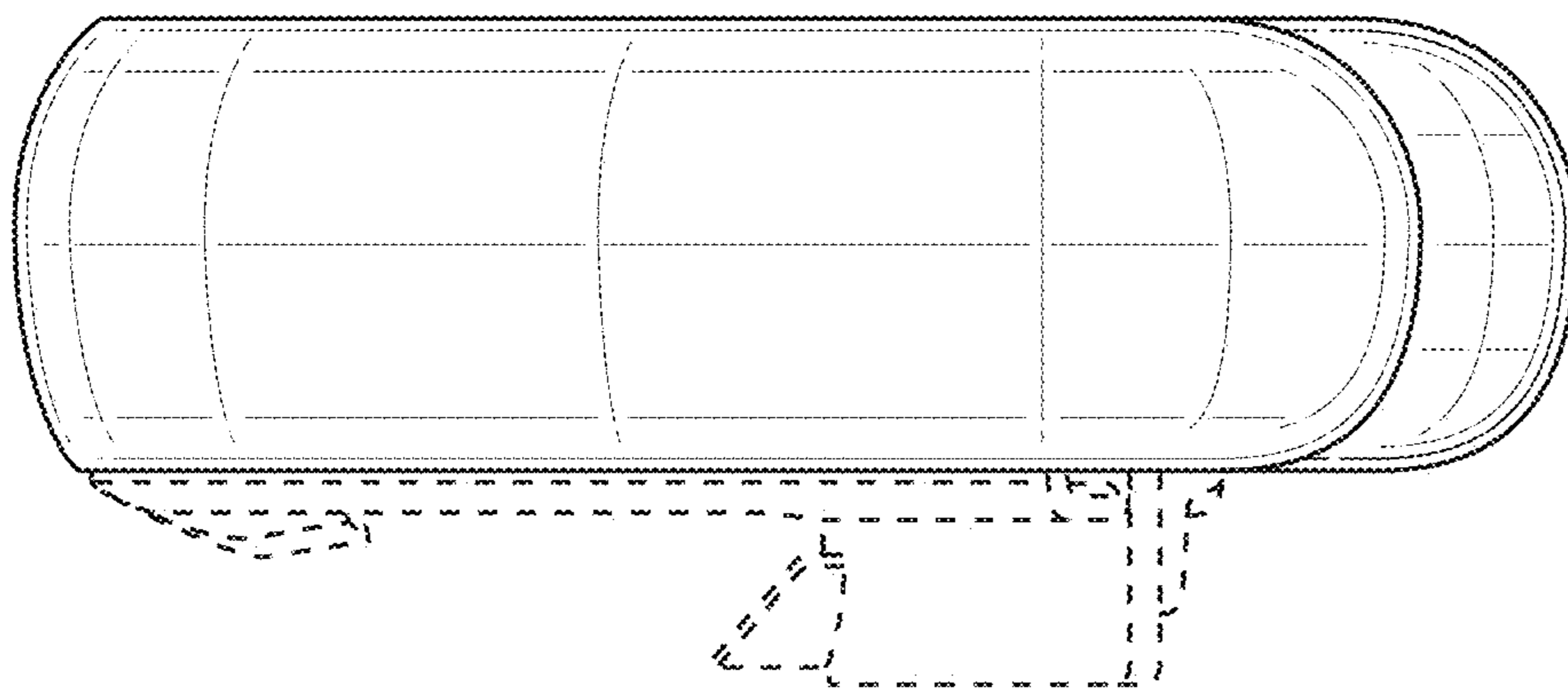


FIG. 3

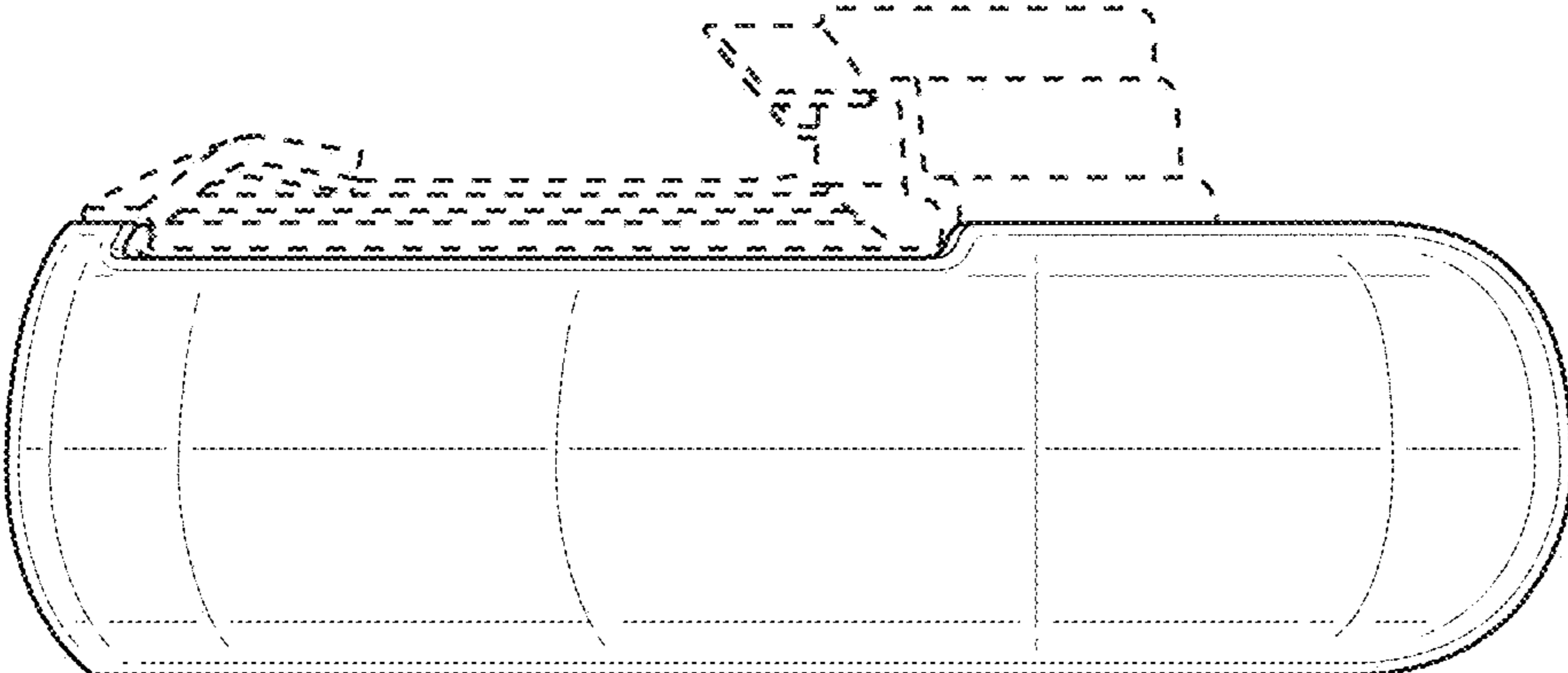


FIG. 4

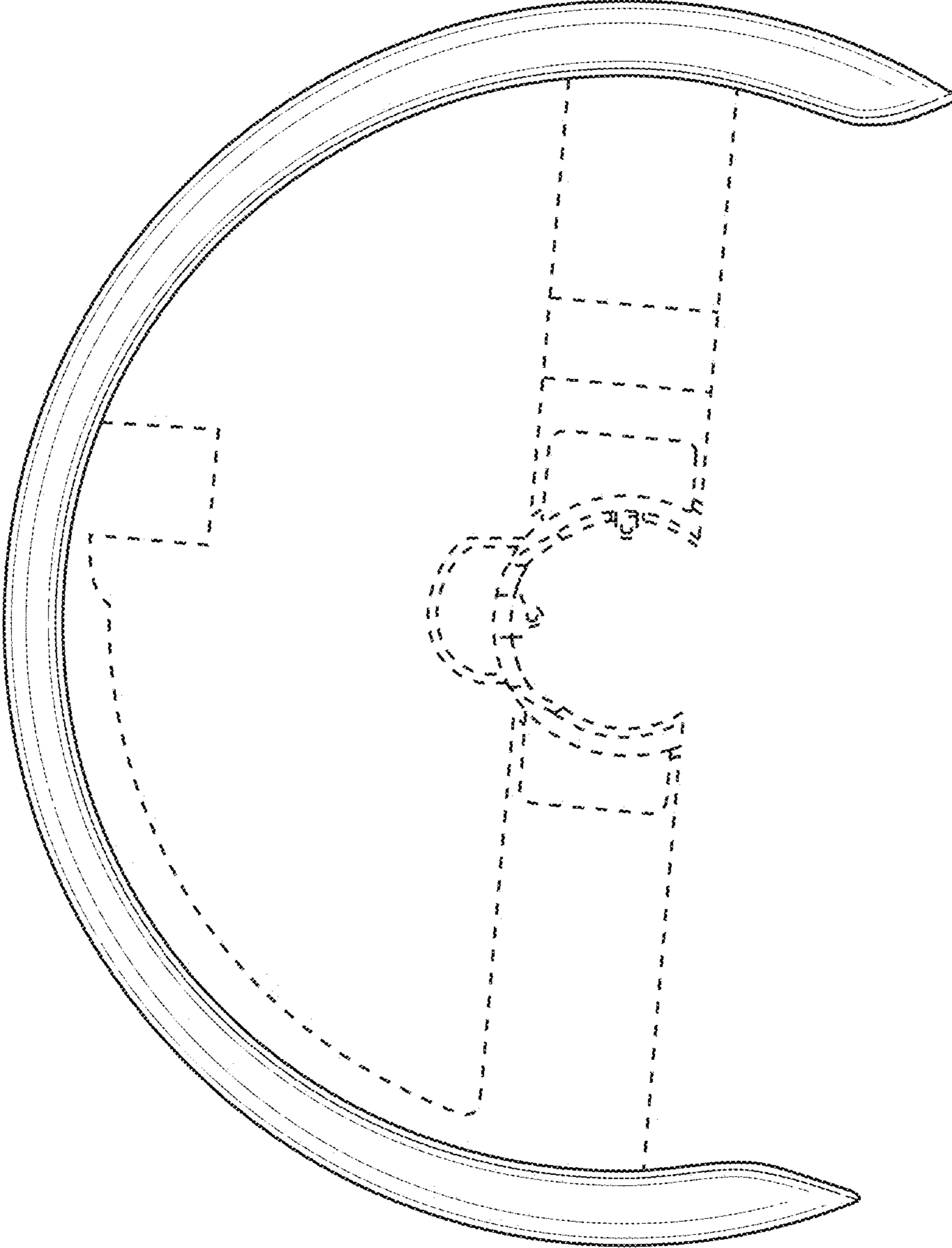


FIG. 5

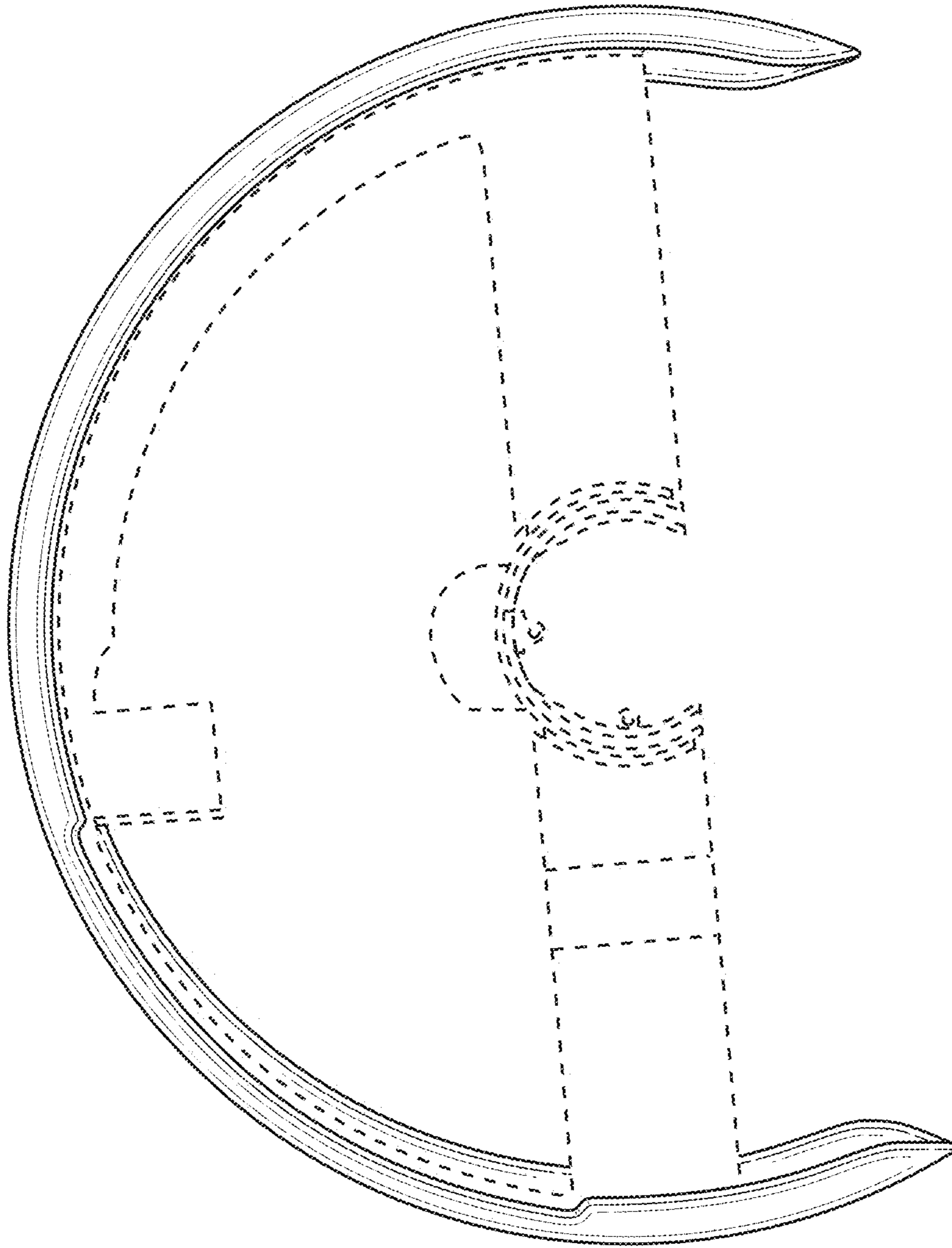


FIG. 6

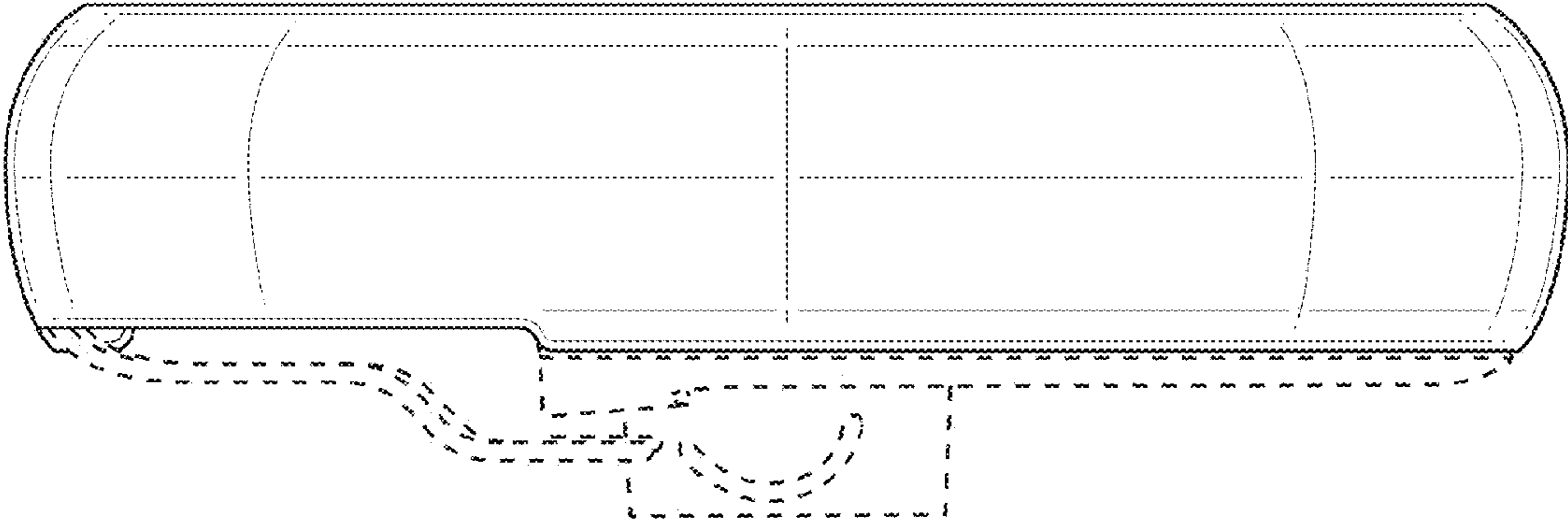


FIG. 7

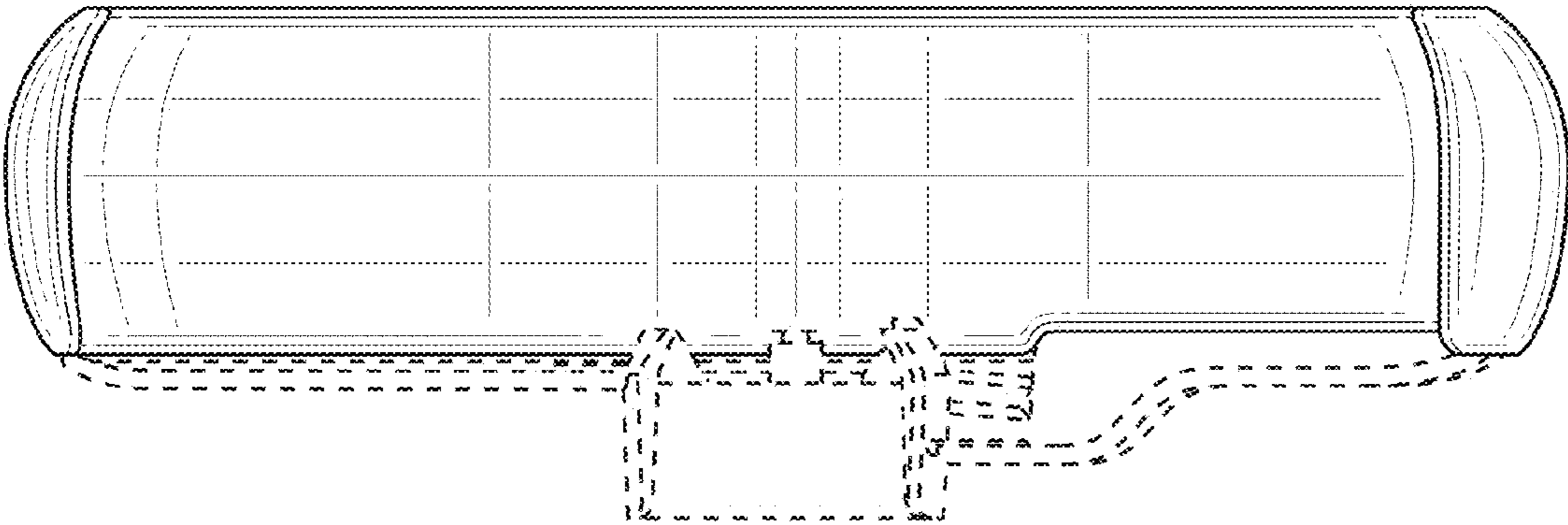


FIG. 8

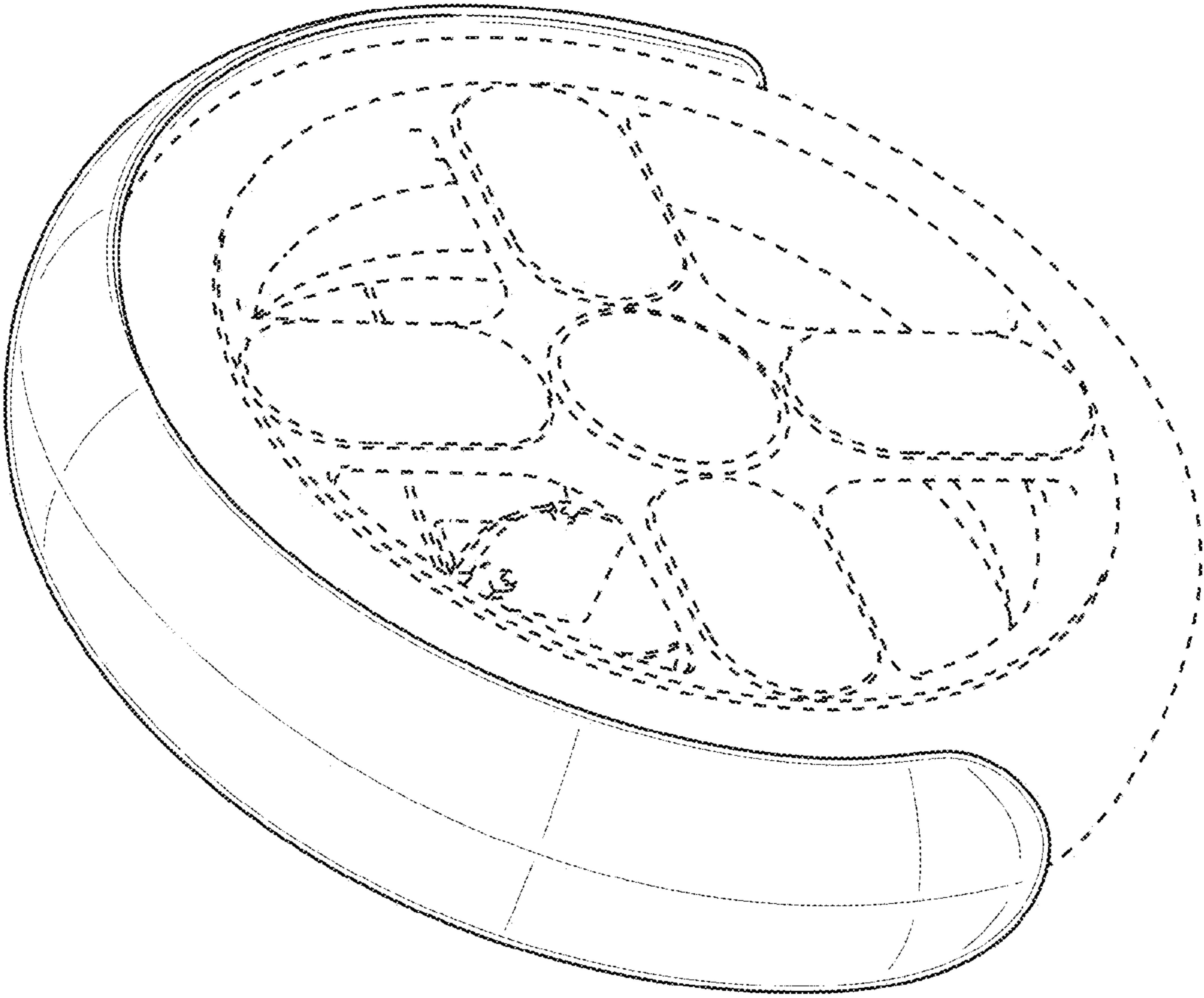


FIG. 9