



US00D929915S

(12) **United States Design Patent** (10) **Patent No.:** **US D929,915 S**
Moon (45) **Date of Patent:** **** Sep. 7, 2021**

(54) **STEERING WHEEL FOR AUTOMOBILE**

(71) Applicant: **Nissan Motor Co., Ltd.**, Kanagawa (JP)

(72) Inventor: **Kyusik Moon**, Kanagawa (JP)

(73) Assignee: **Nissan Motor Co., Ltd.**, Yokohama (JP)

(**) Term: **15 Years**

(21) Appl. No.: **29/731,432**

(22) Filed: **Apr. 15, 2020**

(30) **Foreign Application Priority Data**

Oct. 16, 2019 (JP) 2019-023124

(51) **LOC (13) Cl.** **12-16**

(52) **U.S. Cl.**
USPC **D12/176**

(58) **Field of Classification Search**
USPC D12/175, 176, 177; 74/552, 558, 558.5
CPC B60R 21/203; B60R 21/05; B62D 1/04
See application file for complete search history.

(56) **References Cited**

U.S. PATENT DOCUMENTS

D516,477 S *	3/2006	Tomasson	D12/176
D565,485 S *	4/2008	Schafmeister	D12/176
D735,099 S *	7/2015	Ritchie	D12/176
D766,147 S *	9/2016	Ritchie	D12/176
D786,154 S *	5/2017	Castaman	D12/176
D801,894 S *	11/2017	Kasano	D12/176

D814,998 S *	4/2018	Lokers	D12/176
D814,999 S *	4/2018	Lokers	D12/176
D816,567 S *	5/2018	Yoo	D12/176
D853,911 S *	7/2019	Miyamoto	D12/176
D875,001 S *	2/2020	Moir	D12/176
D909,936 S *	2/2021	Nakaura	D12/176

* cited by examiner

Primary Examiner — Melody N Brown

(74) *Attorney, Agent, or Firm* — Global IP Counselors, LLP

(57) **CLAIM**

The ornamental design for a steering wheel for an automobile, as shown and described.

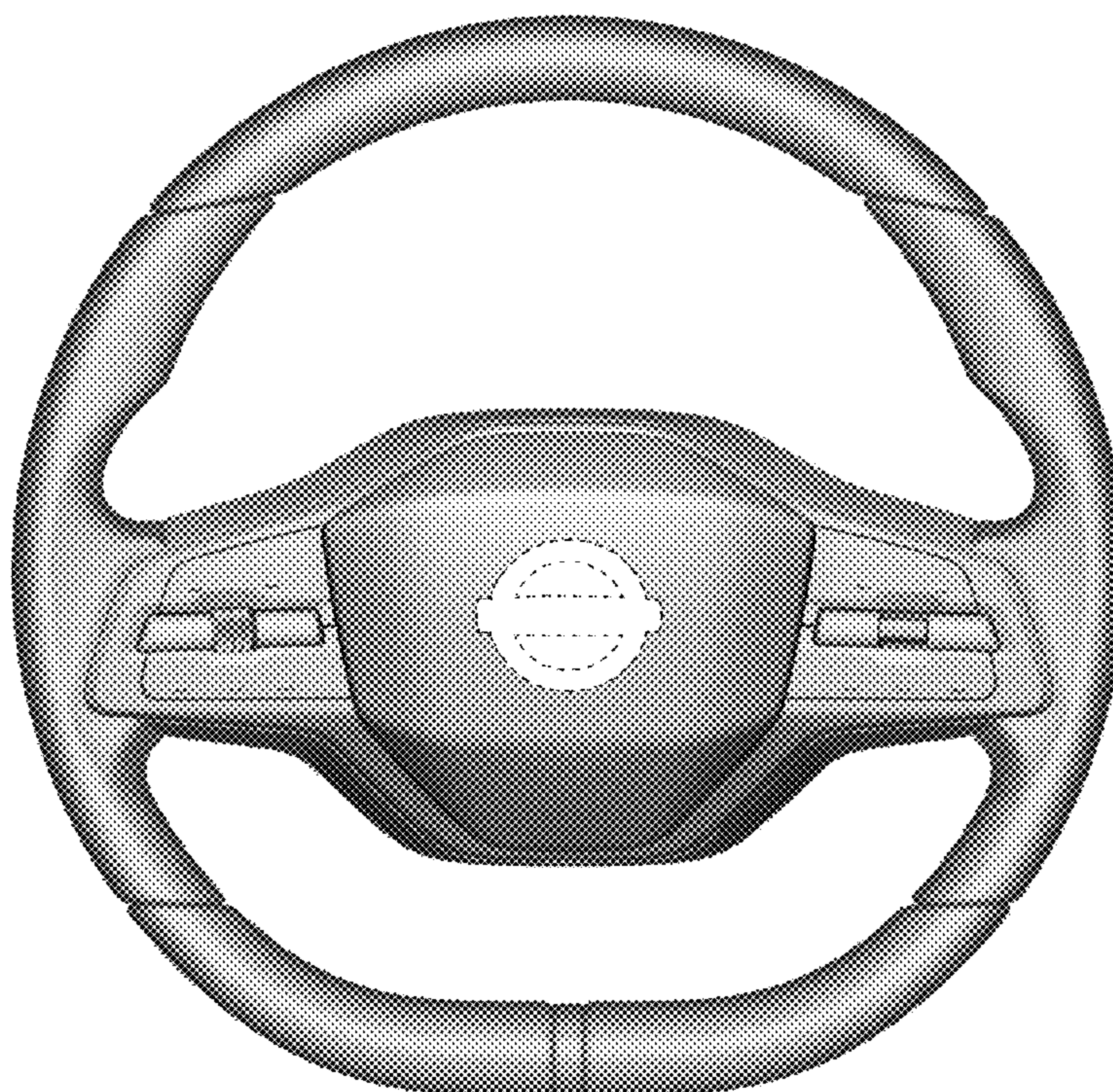
DESCRIPTION

FIG. 1 is a front perspective view of a steering wheel for an automobile showing my new design; FIG. 2 is a front elevational view thereof; FIG. 3 is a rear elevational view thereof; FIG. 4 is a top plan view thereof; FIG. 5 is a bottom plan view thereof; FIG. 6 is a right side elevational view thereof; and, FIG. 7 is a left side elevational view thereof.

The mounting surfaces of the steering wheel, shown in broken lines in FIGS. 3 to 7, form no part of the claimed design since the inside surfaces are hidden when the steering wheel is mounted to the automobile.

A second embodiment of our new design includes the mirror image of the steering wheel shown in FIGS. 1 to 7.

1 Claim, 7 Drawing Sheets



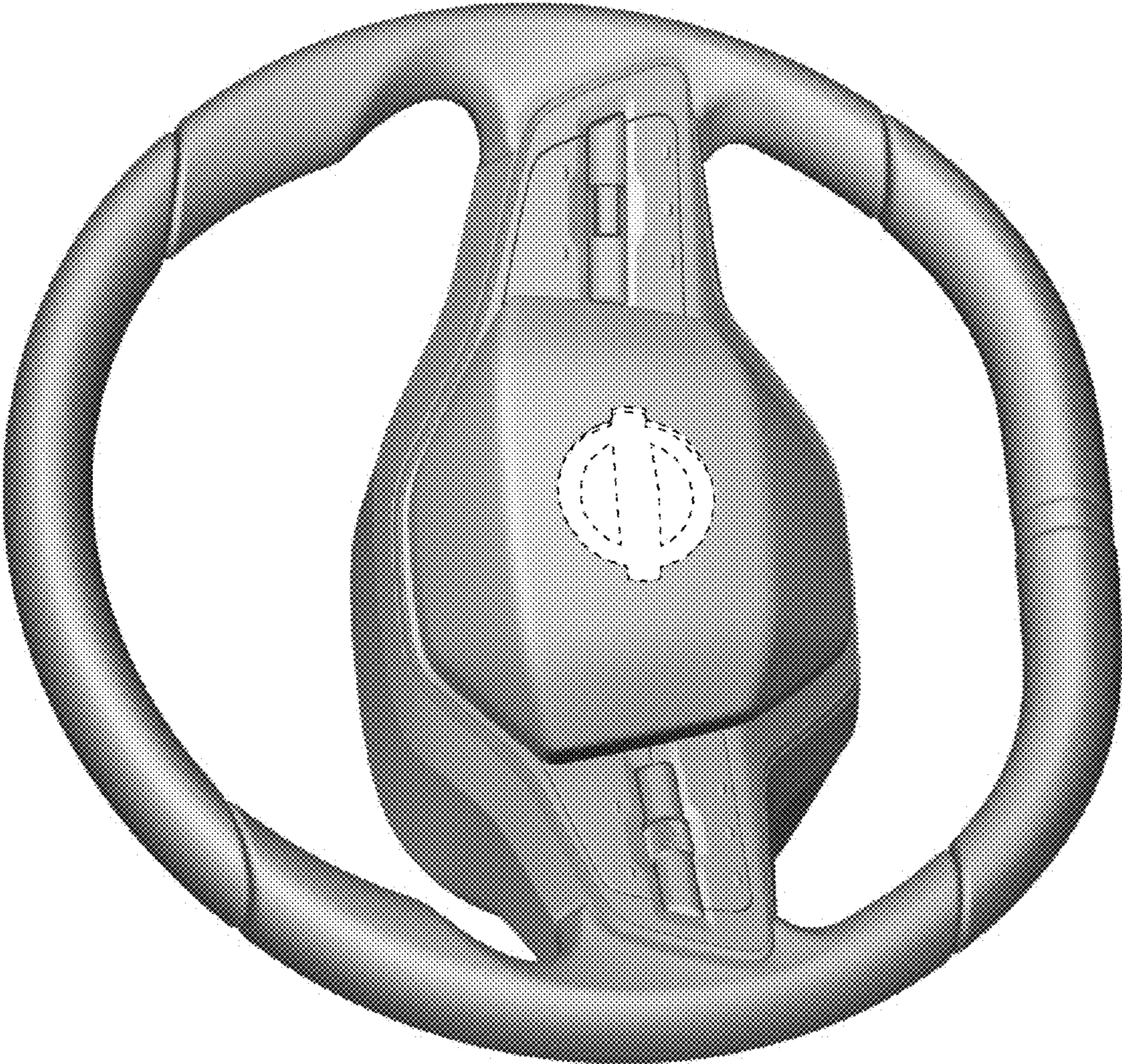


FIG. 1



FIG. 2

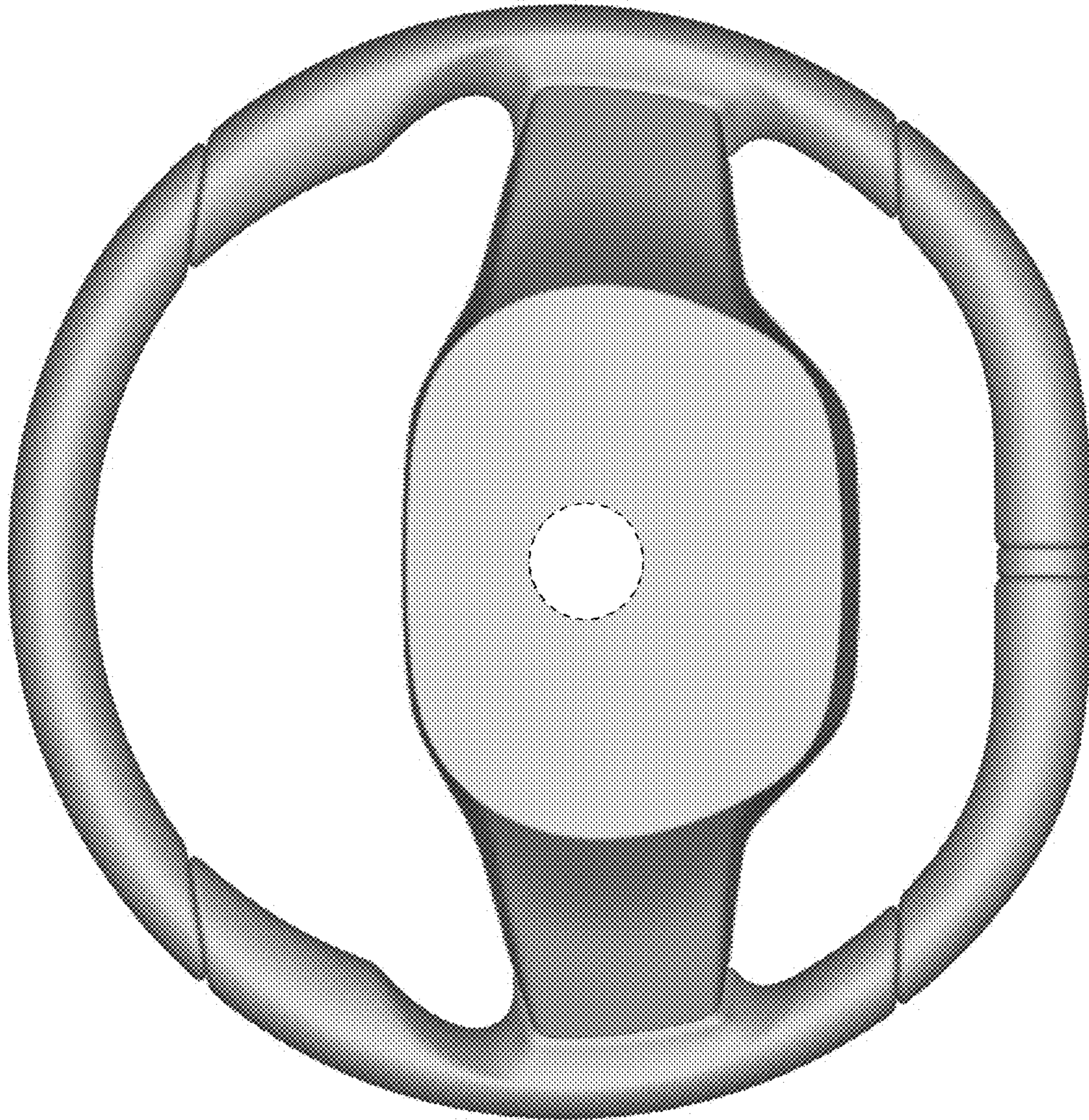


FIG. 3

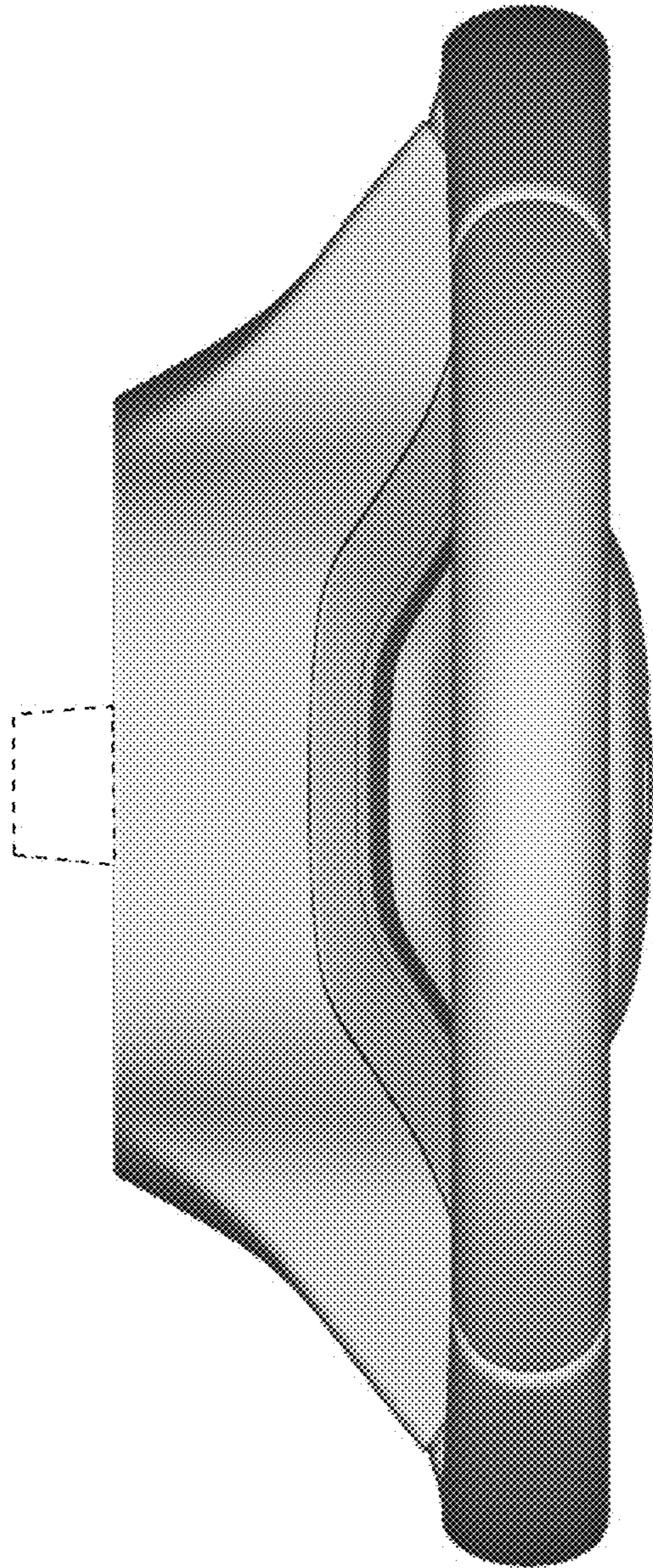


FIG. 4

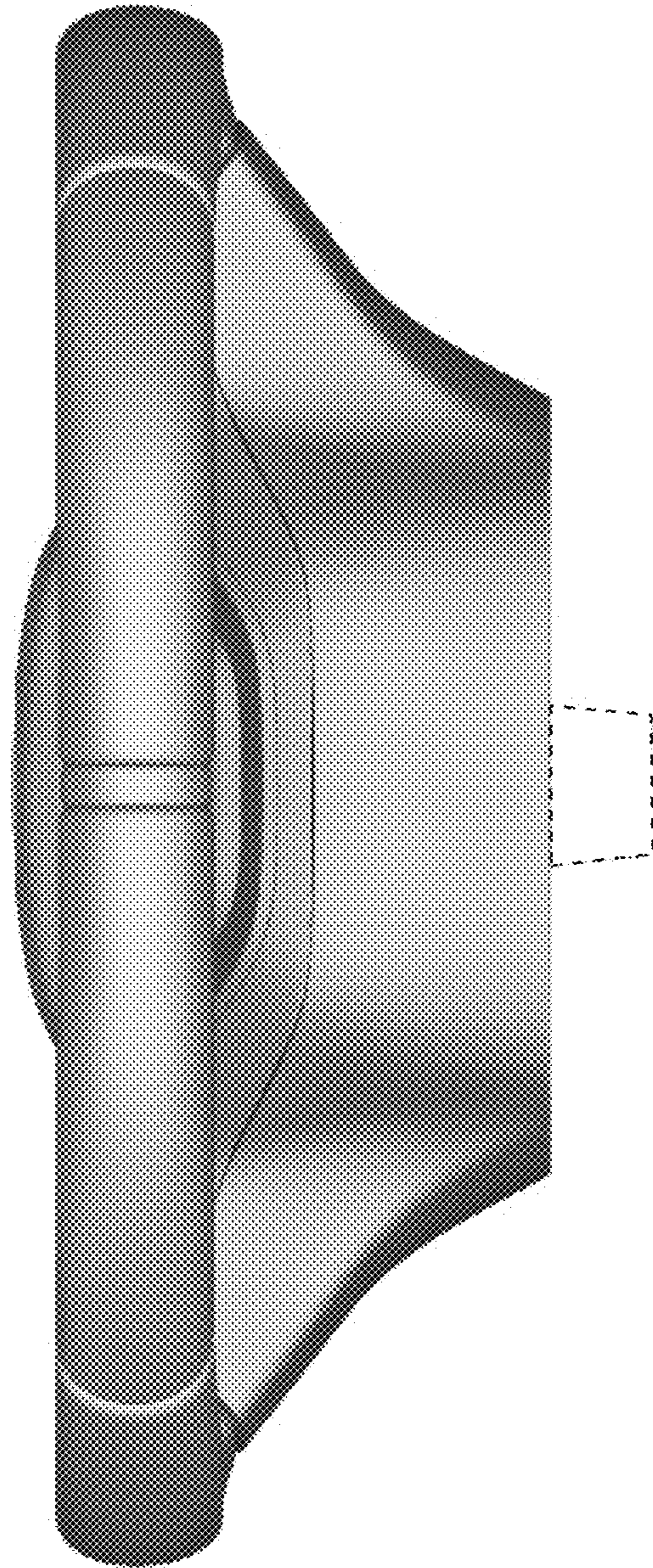


FIG. 5

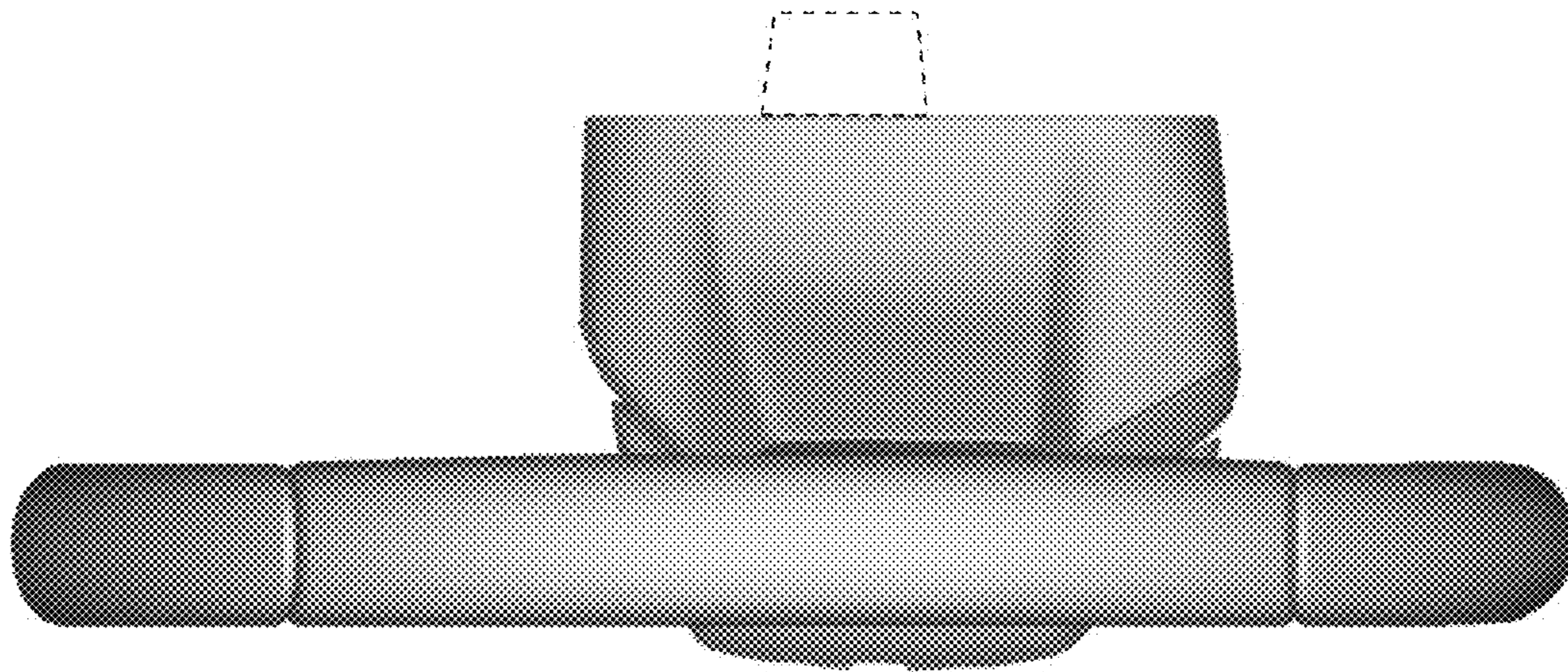


FIG. 6

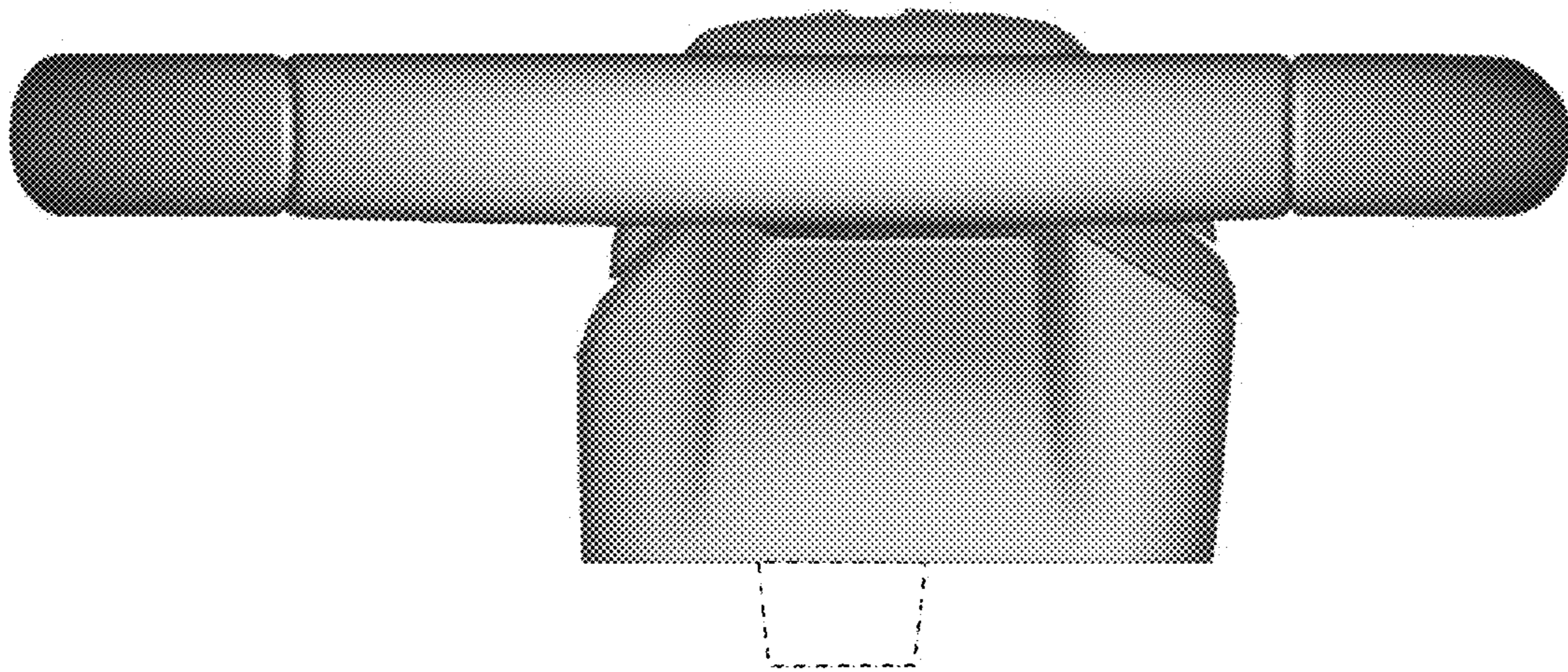


FIG. 7