



US00D929912S

(12) **United States Design Patent** (10) **Patent No.:** **US D929,912 S**
Lu (45) **Date of Patent:** **** Sep. 7, 2021**

(54) **HITCH BALL MOUNT**
 (71) Applicant: **Changyuan Lu, Huaiji (CN)**
 (72) Inventor: **Changyuan Lu, Huaiji (CN)**
 (**) Term: **15 Years**

D856,199 S *	8/2019	Siegel	D12/162
D873,724 S *	1/2020	Borkholder	D12/162
D879,671 S *	3/2020	Siegel	D12/162
D880,376 S *	4/2020	Goodner	D12/162
D913,861 S *	3/2021	McCall	D12/162
D922,263 S *	6/2021	McCuskey	D12/162
2005/0104327 A1 *	5/2005	Irgens	B60D 1/60 280/511

(21) Appl. No.: **29/740,554**
 (22) Filed: **Jul. 6, 2020**
 (51) **LOC (13) Cl.** **12-16**
 (52) **U.S. Cl.**
 USPC **D12/162**
 (58) **Field of Classification Search**
 USPC D12/159, 160, 161, 162
 CPC B62D 33/033; B60D 1/36; B60D 1/06;
 B60D 1/00; B60D 1/065; B60D 1/60
 See application file for complete search history.

* cited by examiner

Primary Examiner — Katrina A Betton
 (74) *Attorney, Agent, or Firm* — Rumit Ranjit Kanakia

(57) **CLAIM**

I claim the ornamental design for a hitch ball mount, as shown and described.

DESCRIPTION

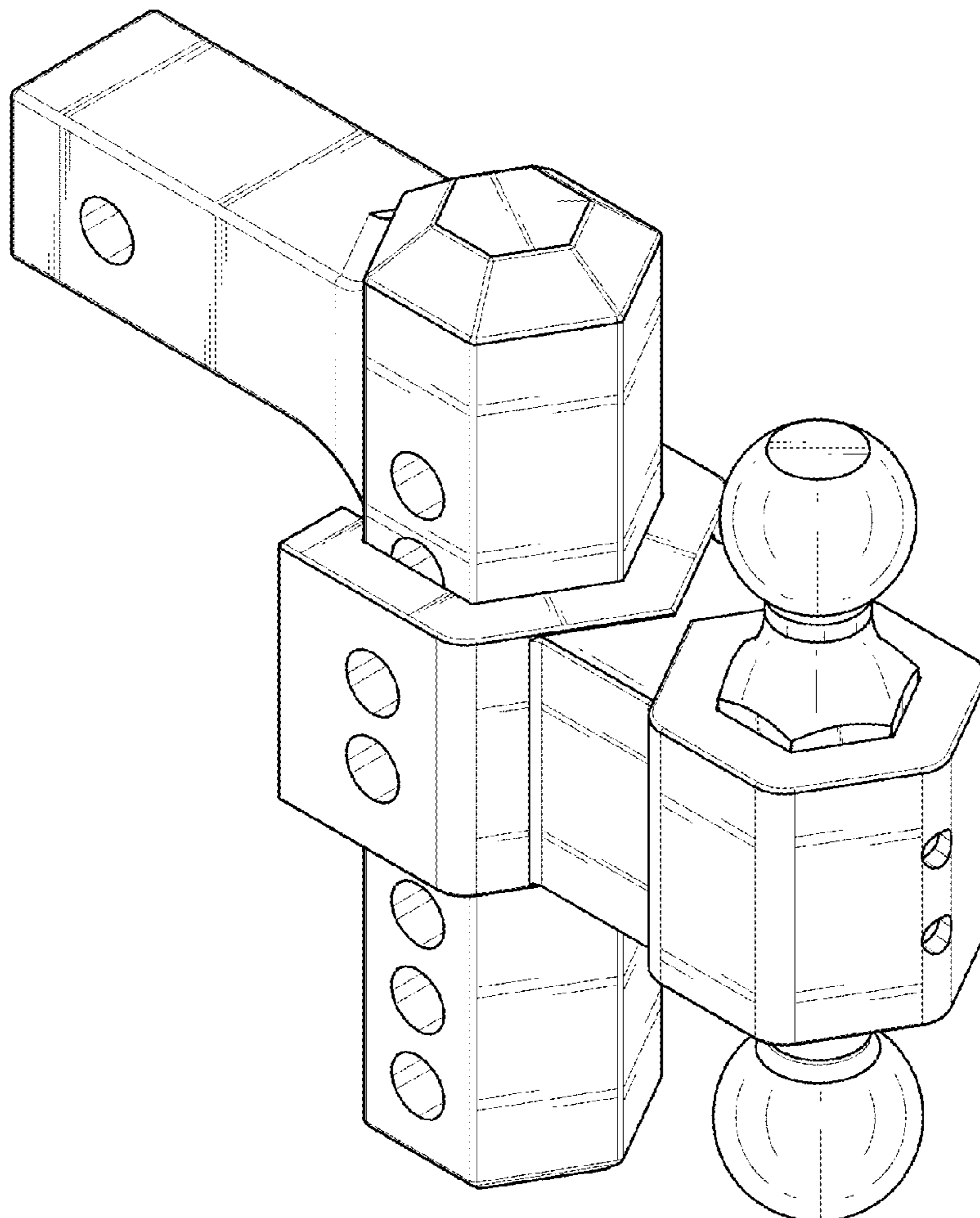
FIG. 1 is a perspective view of a hitch ball mount showing my new design;
 FIG. 2 is a front view thereof;
 FIG. 3 is a back view thereof;
 FIG. 4 is a right-side view thereof;
 FIG. 5 is a left-side view thereof;
 FIG. 6 is a top view thereof; and,
 FIG. 7 is a bottom view thereof.

(56) **References Cited**

U.S. PATENT DOCUMENTS

D834,464 S *	11/2018	Cincunegui	D12/162
D841,526 S *	2/2019	Siegel	D12/162
D854,971 S *	7/2019	McCuskey	D12/162

1 Claim, 6 Drawing Sheets



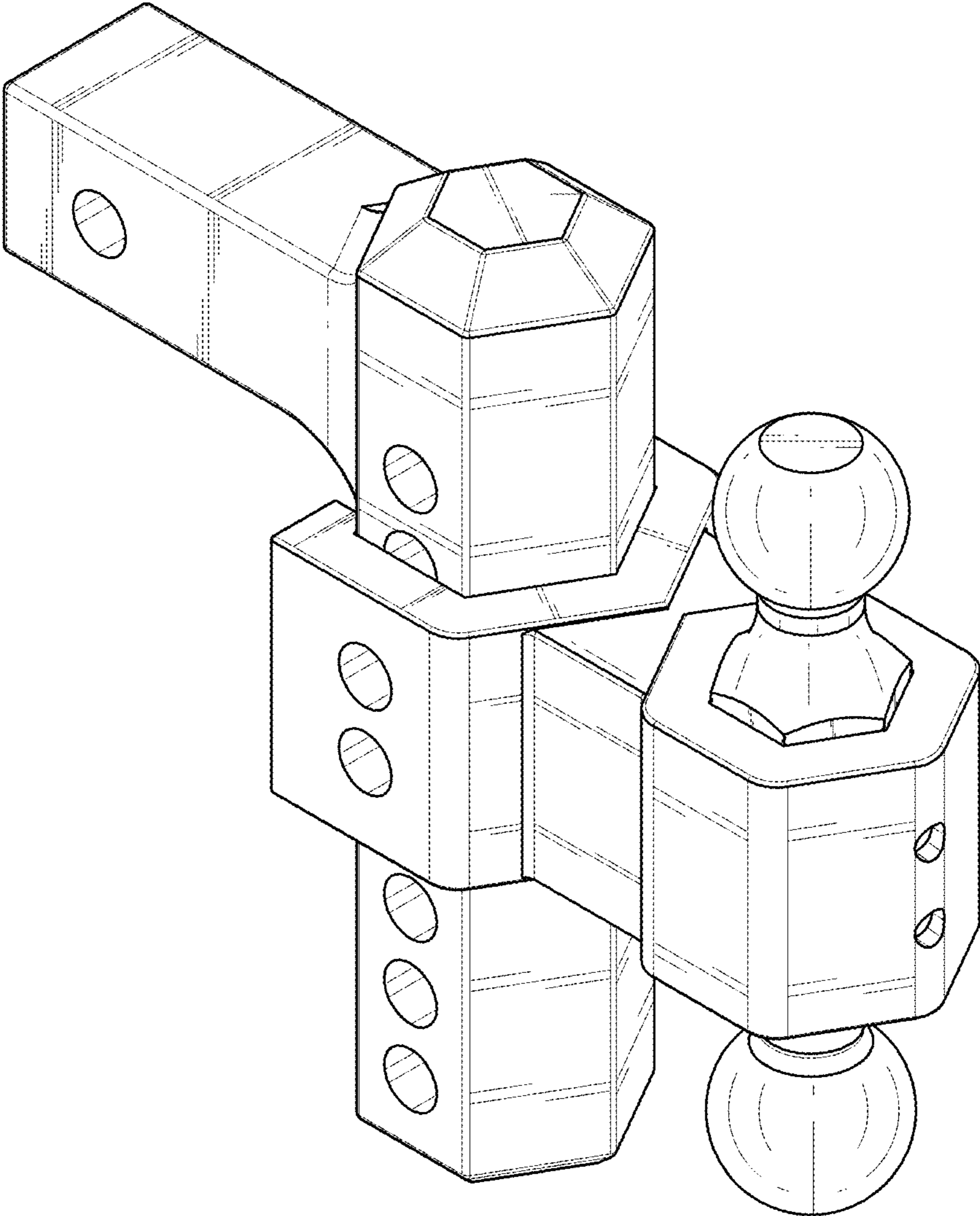


FIG. 1

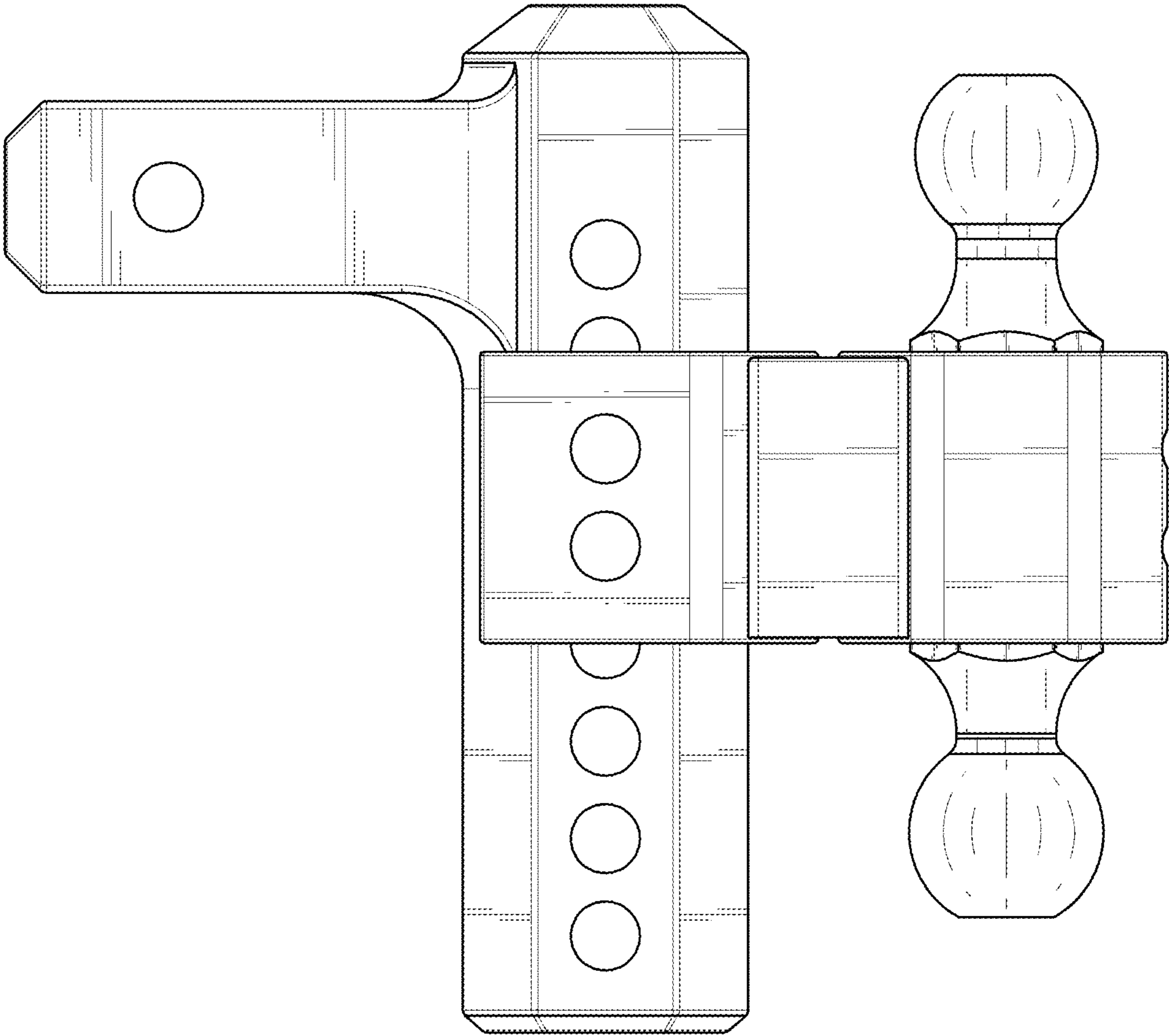


FIG. 2

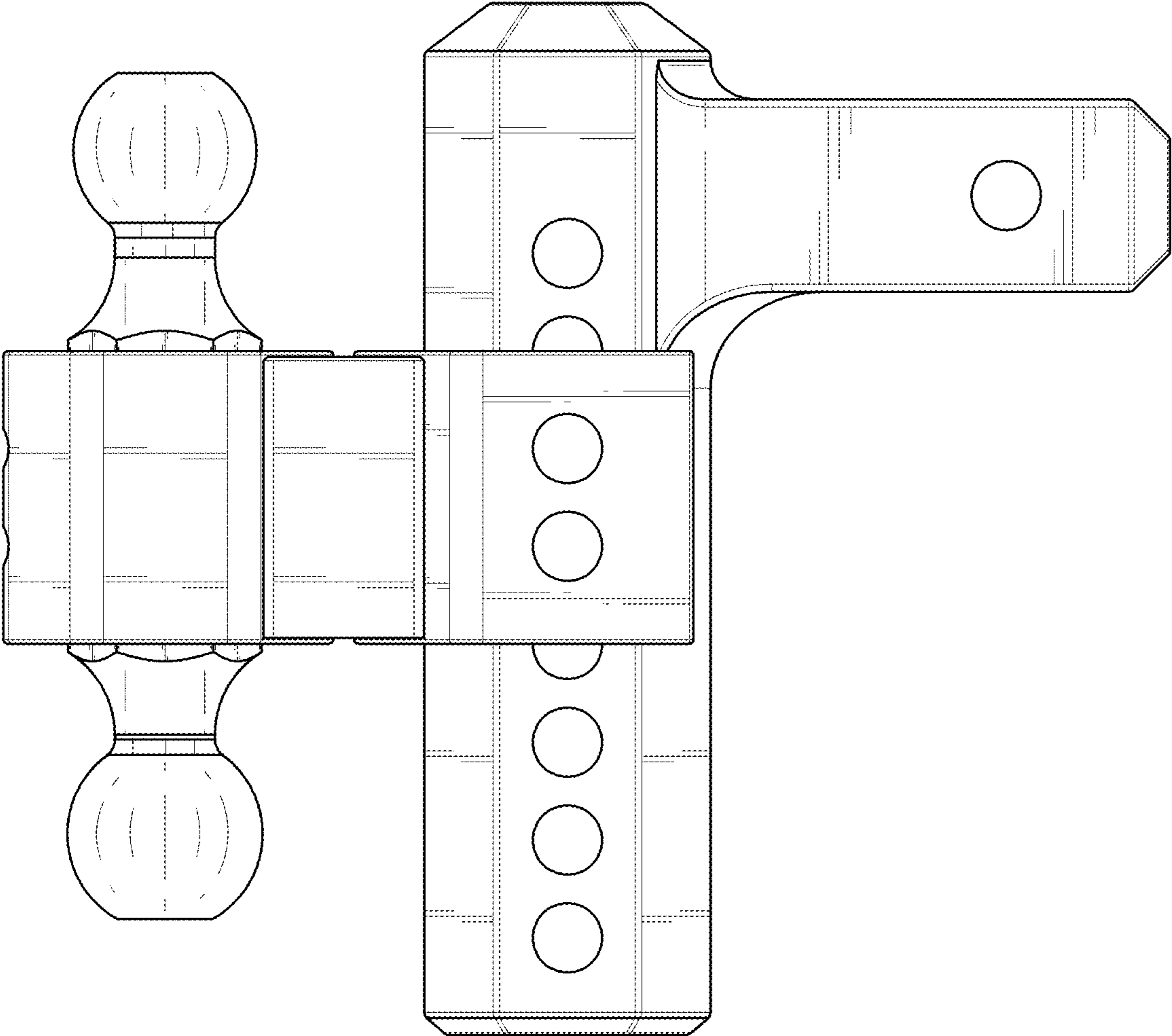


FIG. 3

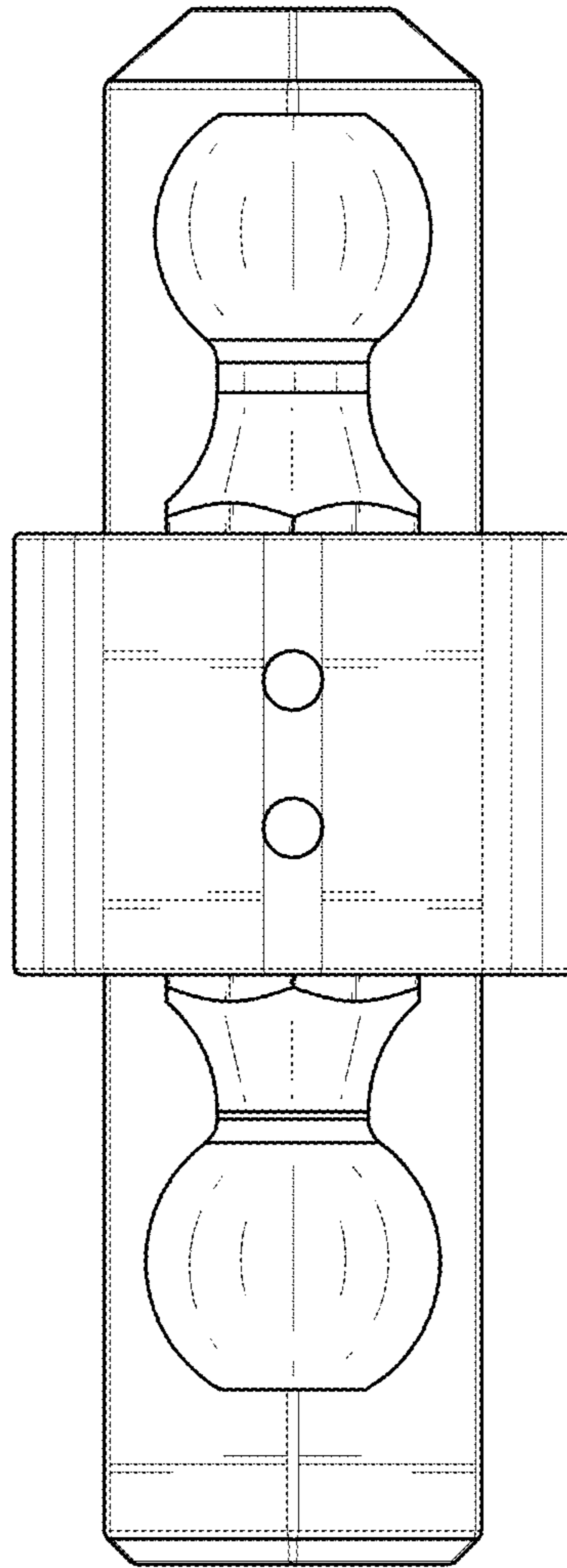


FIG. 4

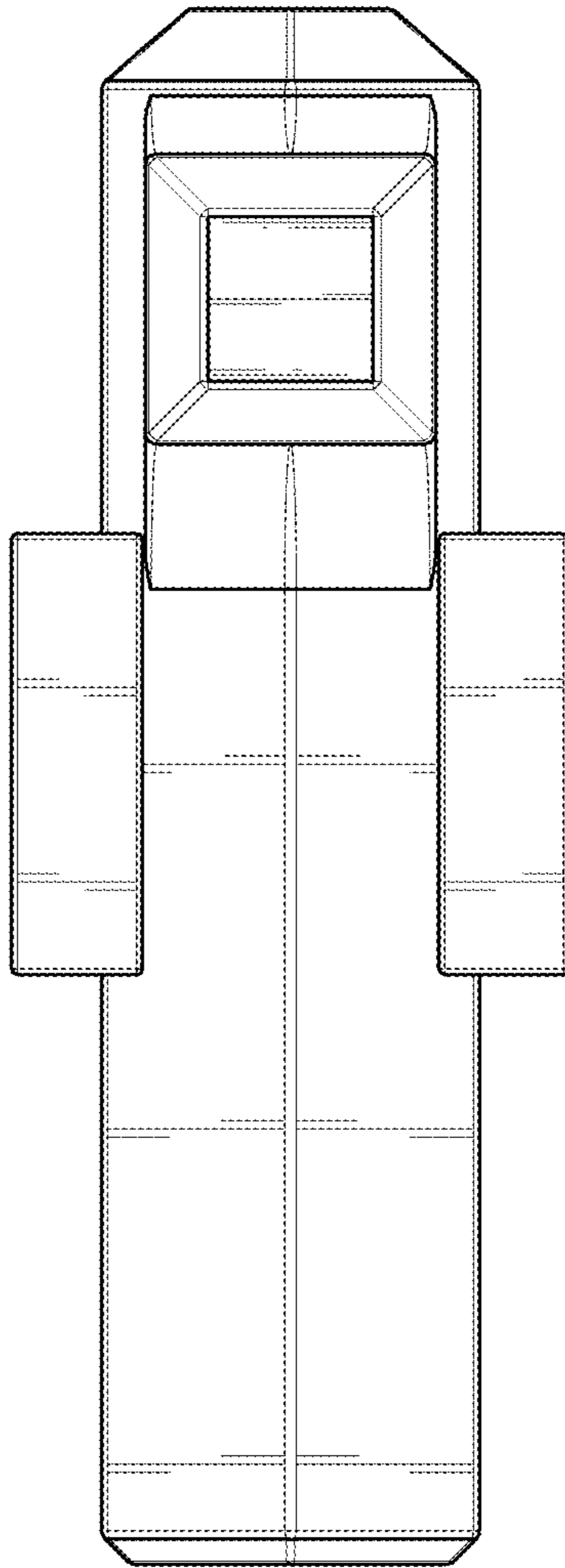


FIG. 5

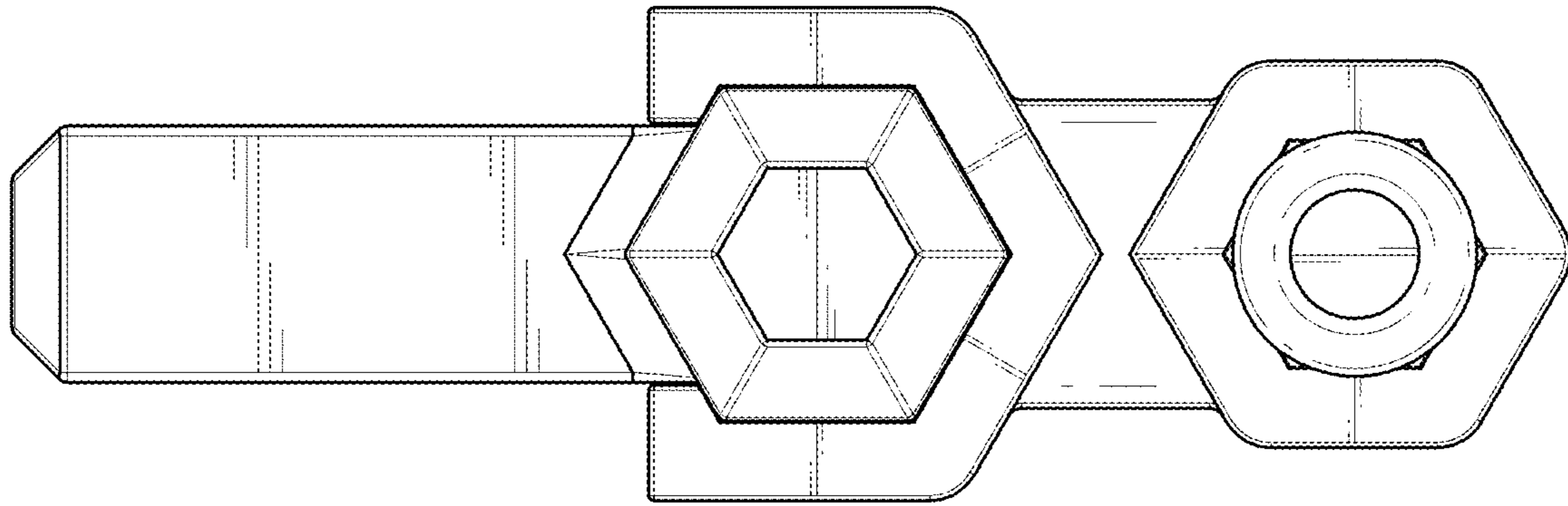


FIG. 6

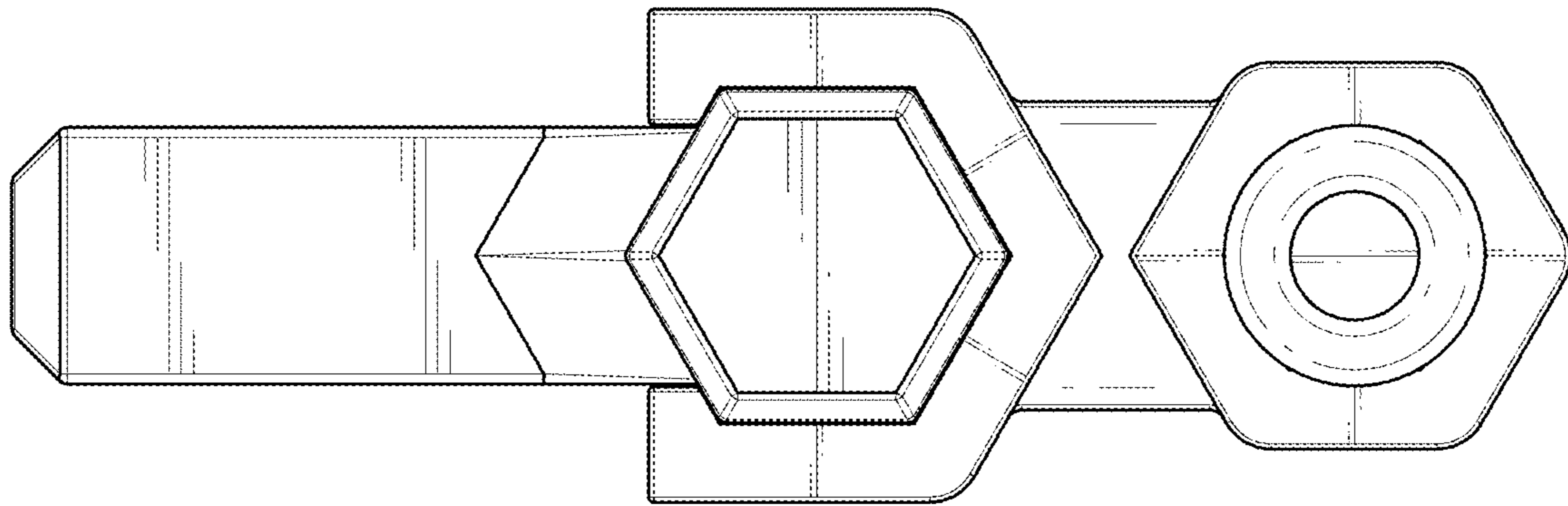


FIG. 7