



US00D929911S

(12) **United States Design Patent**
Nuijten et al.

(10) **Patent No.:** **US D929,911 S**
(45) **Date of Patent:** **** Sep. 7, 2021**

(54) **FOLDABLE WALKING AID APPARATUS**

(71) Applicant: **Invacare International GmbH**,
Witterswil (CH)
(72) Inventors: **Pieter Nuijten**, Växjö (SE); **Simon Weishaupt**, MuttENZ (CH); **Brian Kold Mundeling**, Bolderslev (DK); **Ashton Evans**, Bridgend (GB)

(**) Term: **15 Years**
(21) Appl. No.: **35/509,643**

(22) Filed: **May 22, 2020**

(80) **Hague Agreement Data**

Int. Filing Date: **May 22, 2020**
Int. Reg. No.: **DM/208583**
Int. Reg. Date: **May 22, 2020**
Int. Reg. Pub. Date: **Jun. 19, 2020**

(51) **LOC (13) Cl.** **12-12**

(52) **U.S. Cl.**
USPC **D12/130**

(58) **Field of Classification Search**
USPC D6/367, 368; D12/128–133;
D21/686–691

(Continued)

(56) **References Cited**

U.S. PATENT DOCUMENTS

D367,251 S * 2/1996 Ahlberg D12/129
D395,853 S * 7/1998 Luo D12/130

(Continued)

Primary Examiner — George D. Kirschbaum

Assistant Examiner — Joseph J. Kukella

(57) **CLAIM**

The ornamental design for a foldable walking aid apparatus, as shown and described.

DESCRIPTION

Fig. 1.1 is a perspective view of a foldable walking aid apparatus in an unfolded, deployed configuration;

Fig. 1.2 is a front view thereof;
Fig. 1.3 is a back view thereof;
Fig. 1.4 is a left view thereof;
Fig. 1.5 is a right view thereof;
Fig. 1.6 is a top view thereof;
Fig. 1.7 is a bottom view thereof;
Fig. 1.8 is a perspective view of the foldable walking aid apparatus of Fig. 1.1 shown in a folded configuration;
Fig. 1.9 is a front view thereof;
Fig. 1.10 is a left view thereof;
Fig. 2.1 is a perspective view of a second embodiment of a foldable walking aid apparatus in an unfolded, deployed configuration;
Fig. 2.2 is a front view thereof;
Fig. 2.3 is a back view thereof;
Fig. 2.4 is a left view thereof;
Fig. 2.5 is a right view thereof;
Fig. 2.6 is a top view thereof;
Fig. 2.7 is a bottom view thereof;
Fig. 2.8 is a perspective view of the foldable walking aid apparatus of Fig. 2.1 shown in a folded configuration;
Fig. 2.9 is a front view thereof;
Fig. 2.10 is a left view thereof;
Fig. 3.1 is a perspective view of a third embodiment of a foldable walking aid apparatus in an unfolded, deployed configuration;
Fig. 3.2 is a front view thereof;
Fig. 3.3 is a back view thereof;
Fig. 3.4 is a left view thereof;
Fig. 3.5 is a right view thereof;
Fig. 3.6 is a top view thereof;
Fig. 3.7 is a bottom view thereof;
Fig. 3.8 is a perspective view of the foldable walking aid apparatus of Fig. 3.1 shown in a folded configuration;
Fig. 3.9 is a front view thereof;
Fig. 3.10 is a left view thereof;
Fig. 4.1 is a perspective view of a fourth embodiment of a foldable walking aid apparatus in an unfolded, deployed configuration;
Fig. 4.2 is a front view thereof;
Fig. 4.3 is a back view thereof;
Fig. 4.4 is a left view thereof;
Fig. 4.5 is a right view thereof;
Fig. 4.6 is a top view thereof;
Fig. 4.7 is a bottom view thereof;
Fig. 4.8 is a perspective view of the foldable walking aid apparatus of Fig. 4.1 shown in a folded configuration;

(Continued)

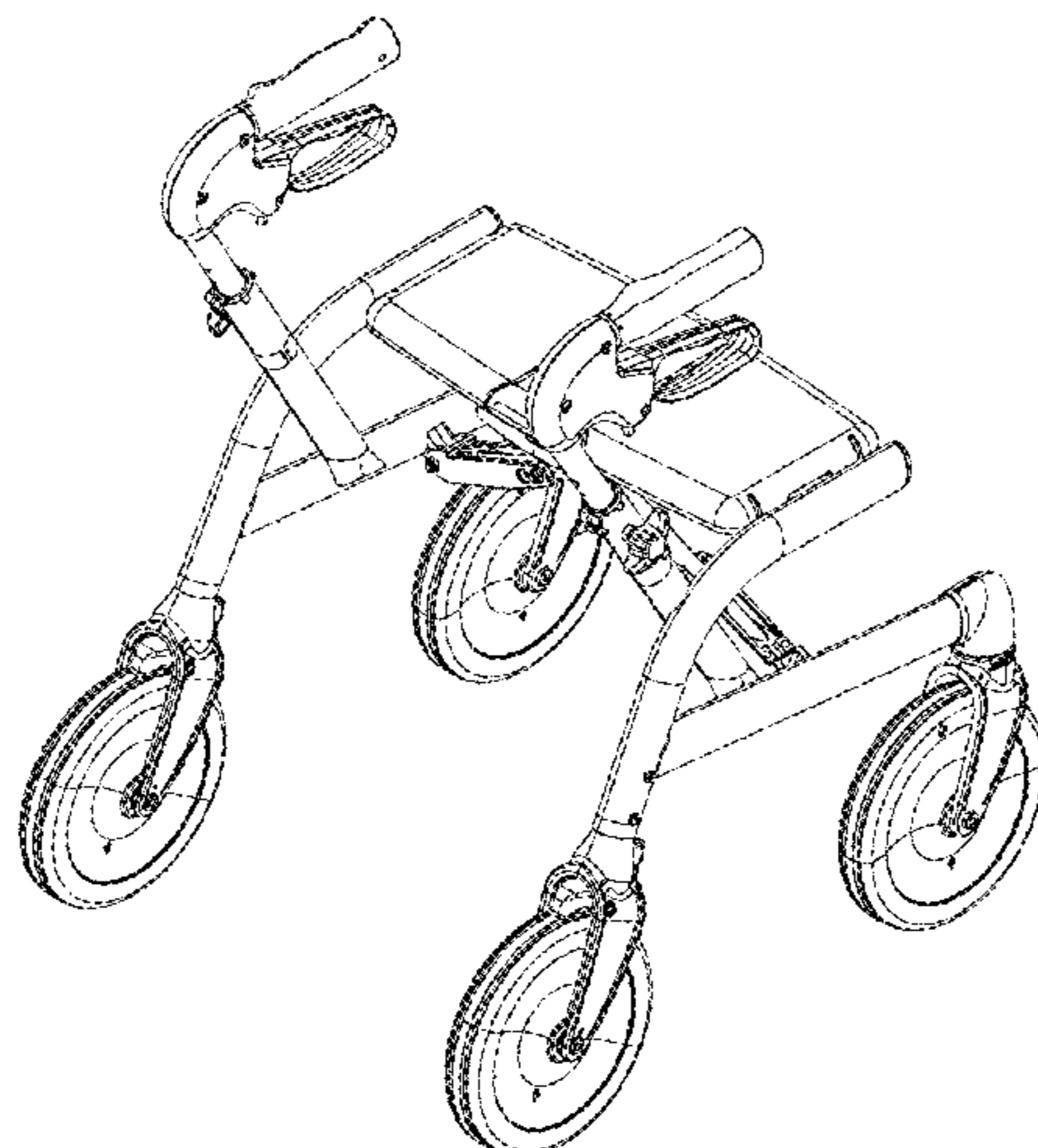


Fig. 4.9 is a front view thereof;
 Fig. 4.10 is a left view thereof.
 In all views cables connecting brake handles to associated
 brake pad arrangements of the foldable walking aid appa-
 ratus are not shown and therefore form no part of the
 claimed design.

1 Claim, 40 Drawing Sheets

(58) **Field of Classification Search**

CPC A61H 3/04; A61H 2003/043; A61H
 2003/046; A61G 5/1056-1075; A61G
 5/14

See application file for complete search history.

(56) **References Cited**

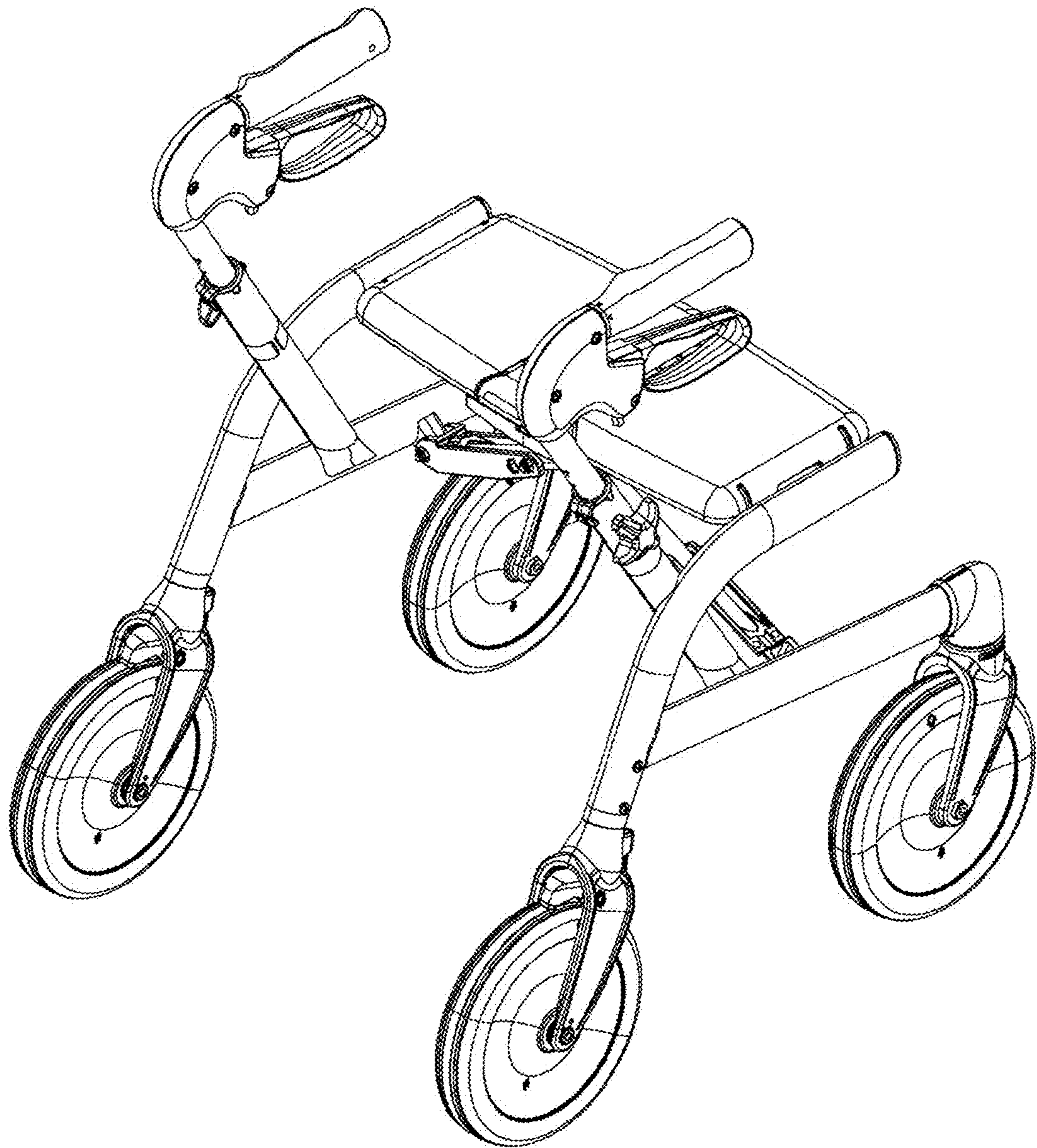
U.S. PATENT DOCUMENTS

D396,437 S * 7/1998 Liljedahl D12/130

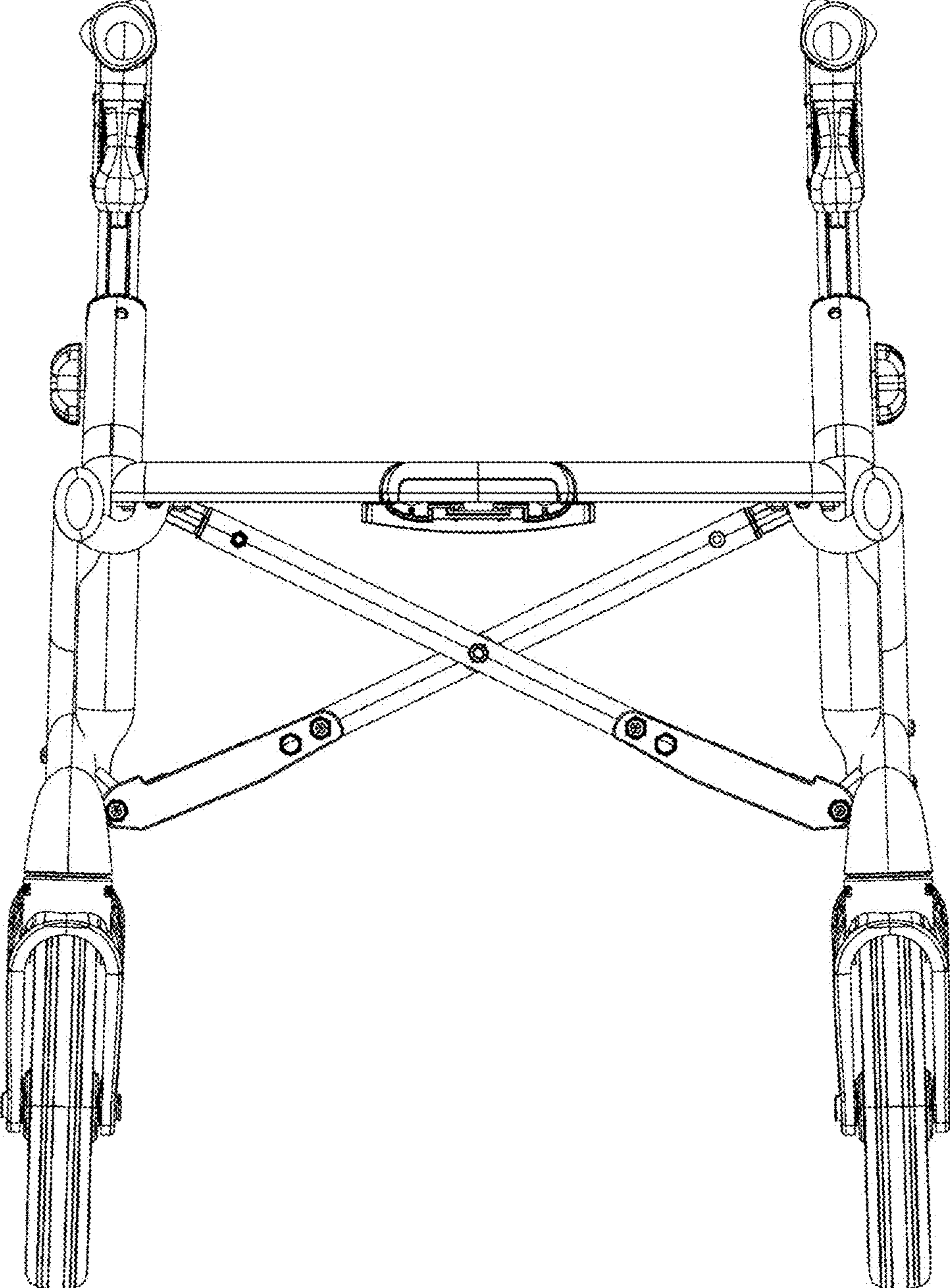
D479,164 S * 9/2003 Wu D12/130
 D481,336 S * 10/2003 Wu D12/130
 D506,417 S * 6/2005 Liao D12/129
 D506,418 S * 6/2005 Liao D12/129
 D766,139 S * 9/2016 Chen D12/130
 D858,366 S * 9/2019 VanAusdall D12/130
 D865,575 S * 11/2019 Lin D12/130
 D874,351 S * 2/2020 Fellingham D12/130
 D897,243 S * 9/2020 Tsai A61H 3/04
 D12/130
 D903,538 S * 12/2020 Lin A45B 7/00
 D12/130
 D908,550 S * 1/2021 Berman D12/130
 2005/0211285 A1 * 9/2005 Cowie A45B 7/00
 135/74
 2007/0170699 A1 * 7/2007 Li A61H 3/04
 280/642

* cited by examiner

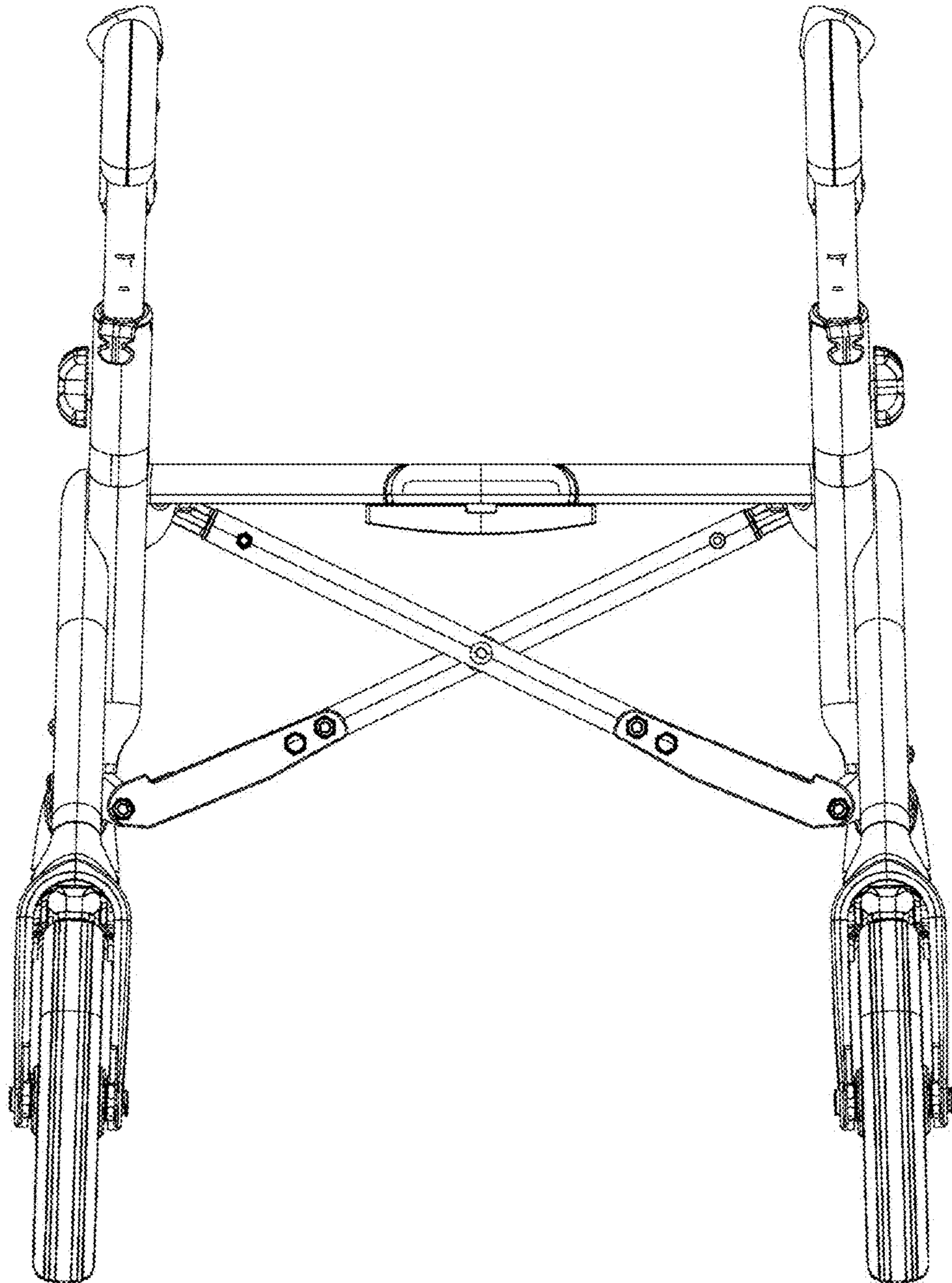
1.1



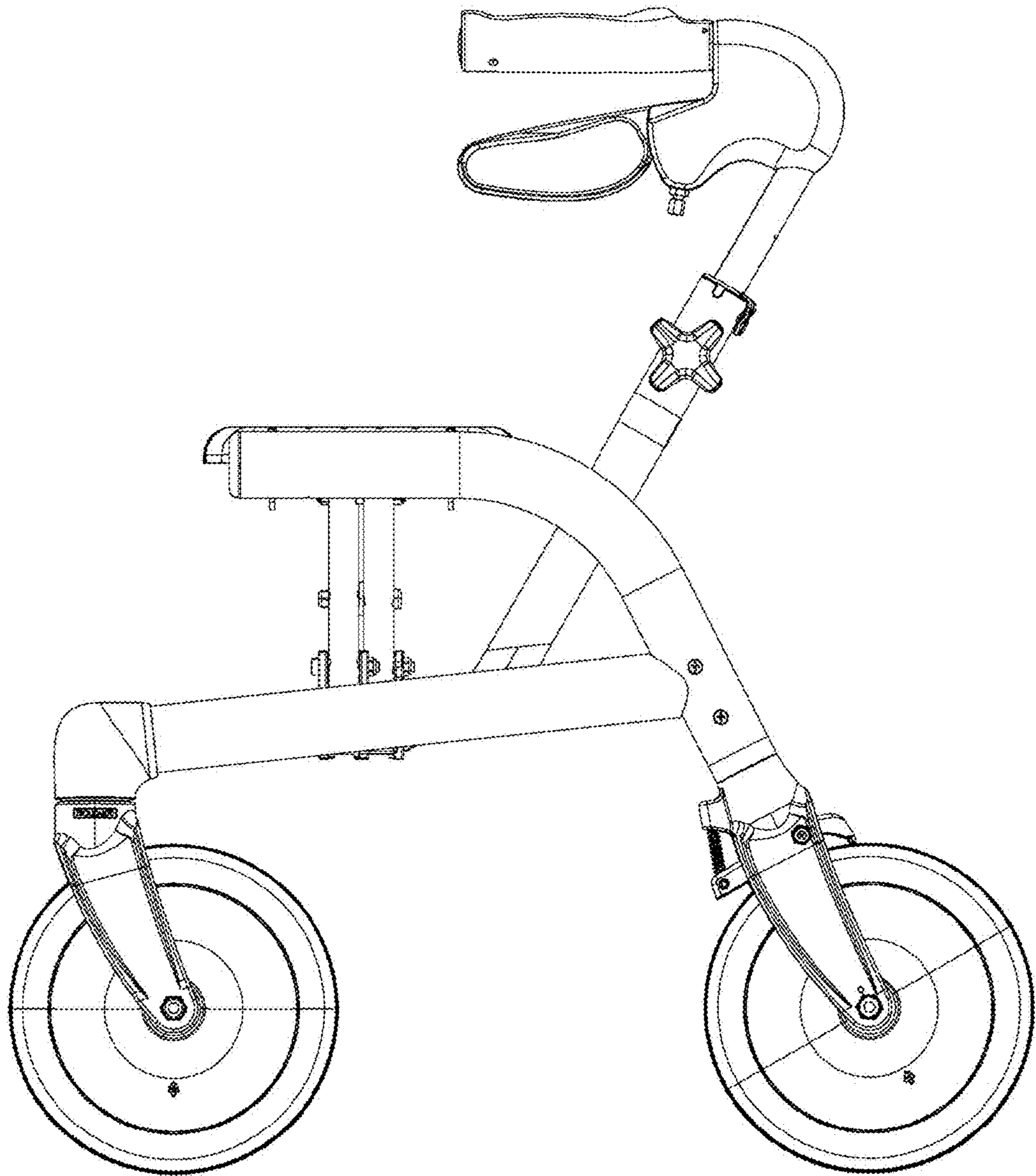
1.2



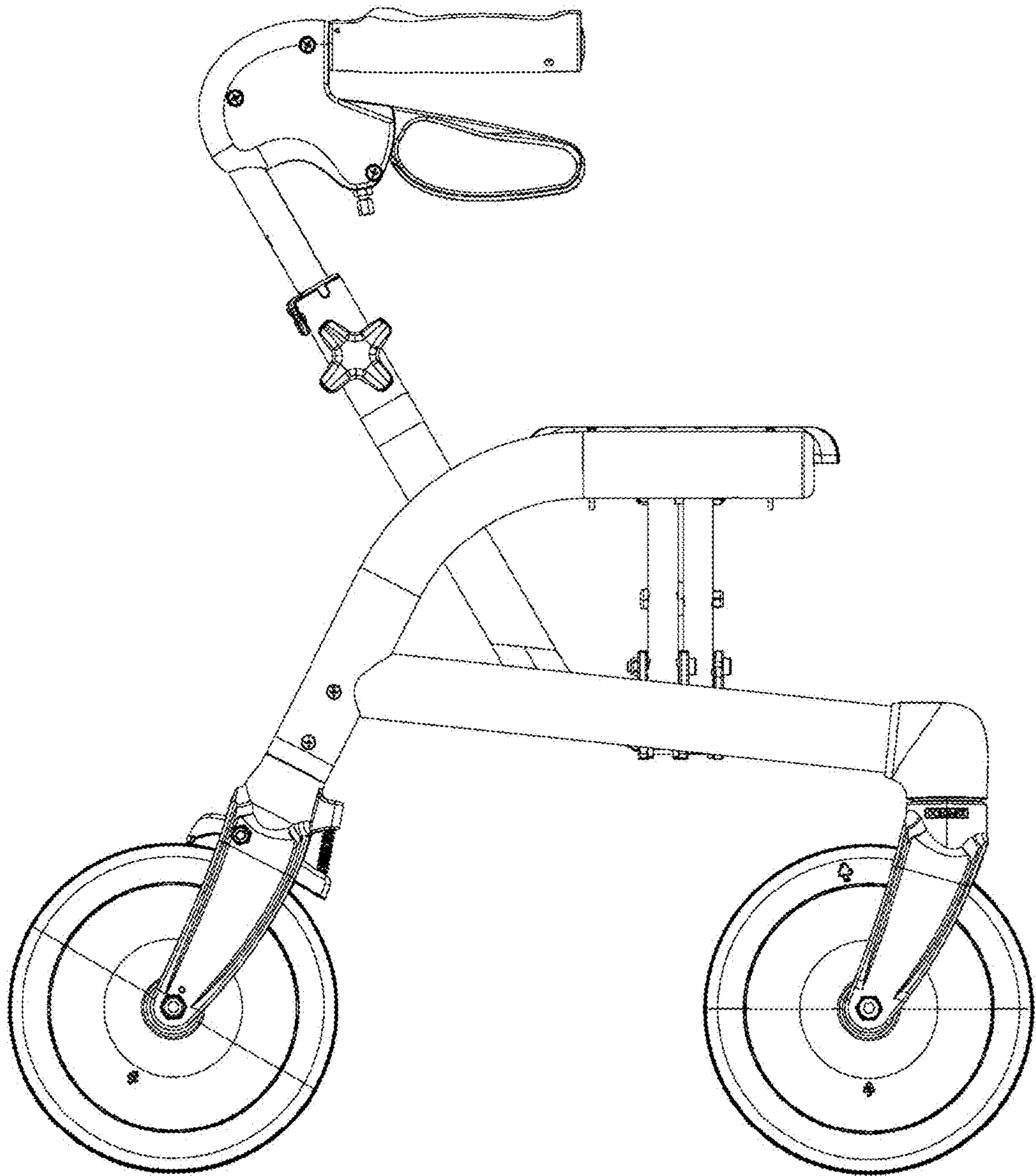
1.3



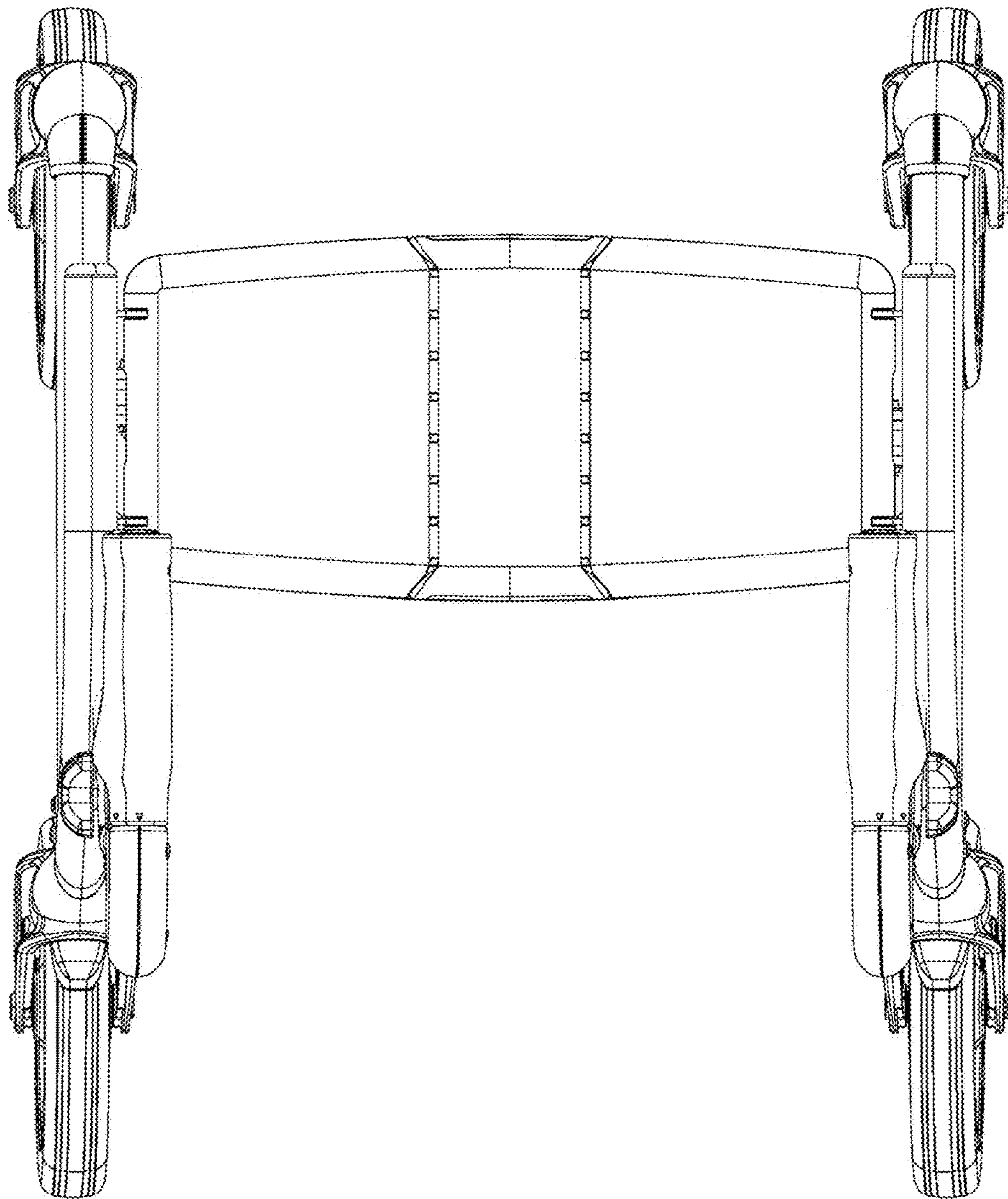
1.4



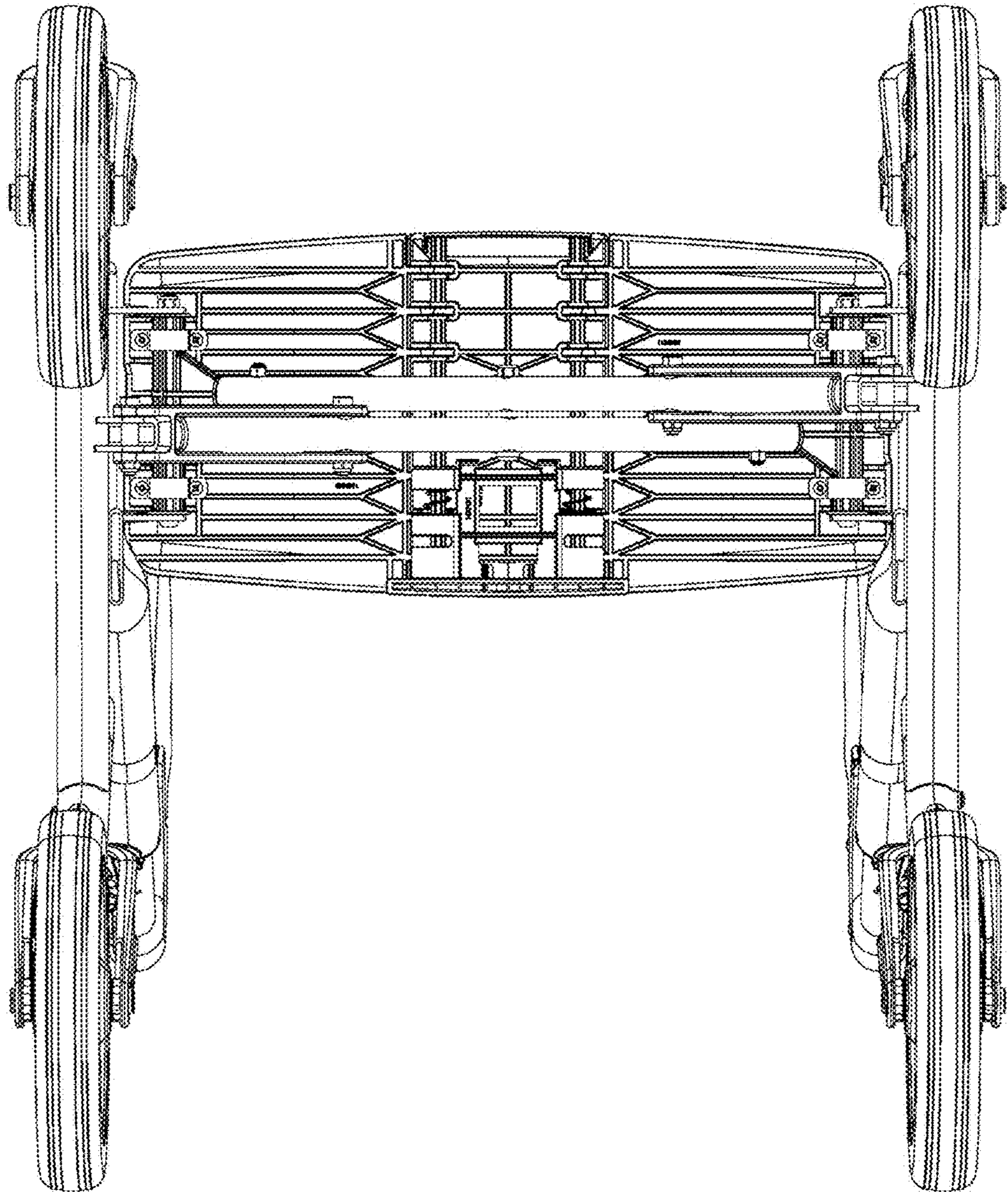
1.5



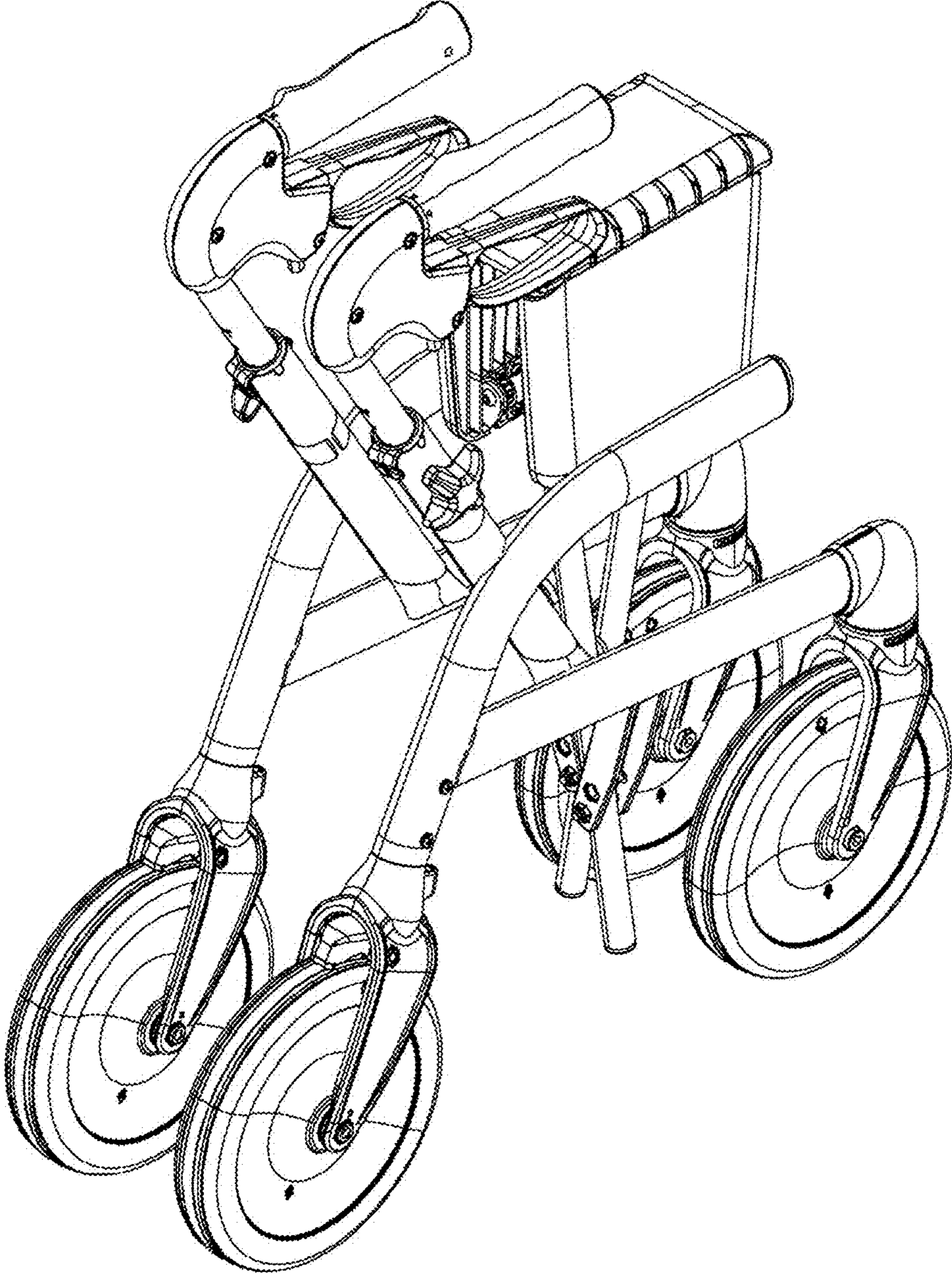
1.6



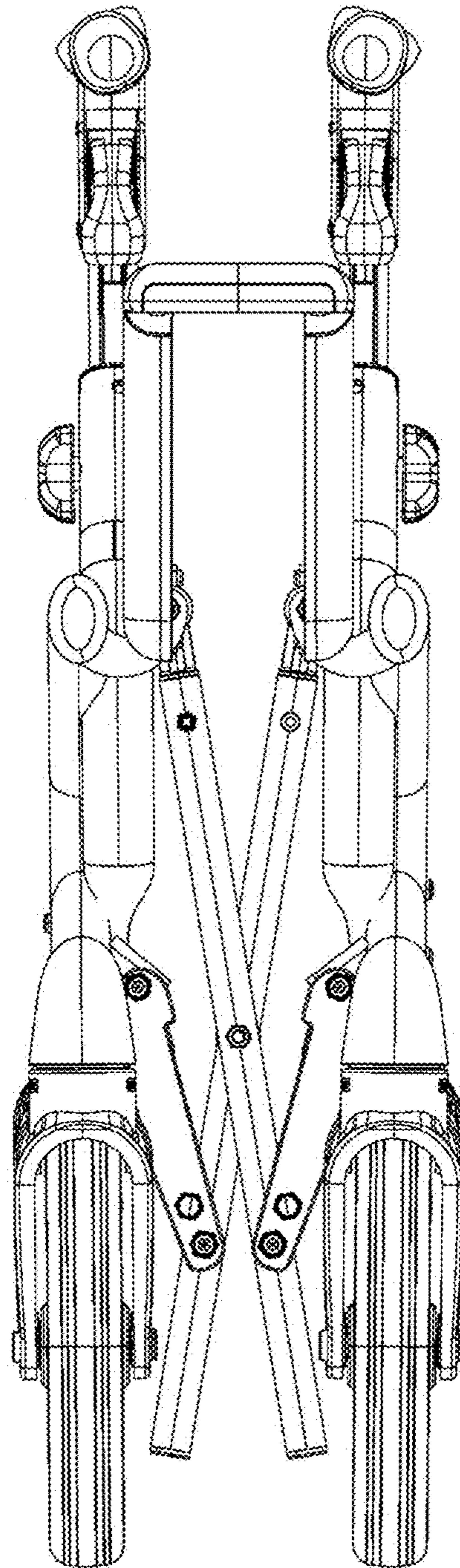
1.7



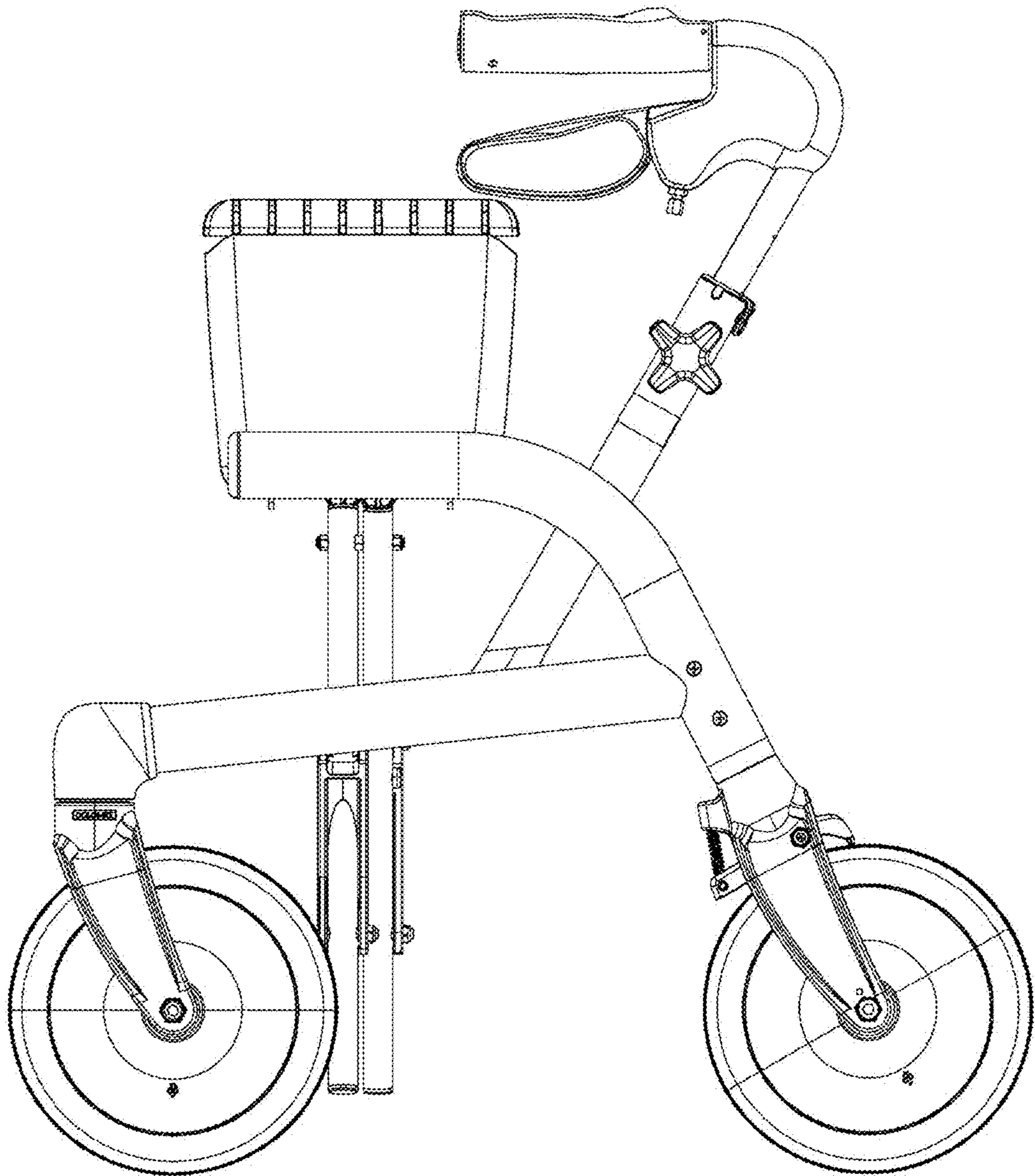
1.8



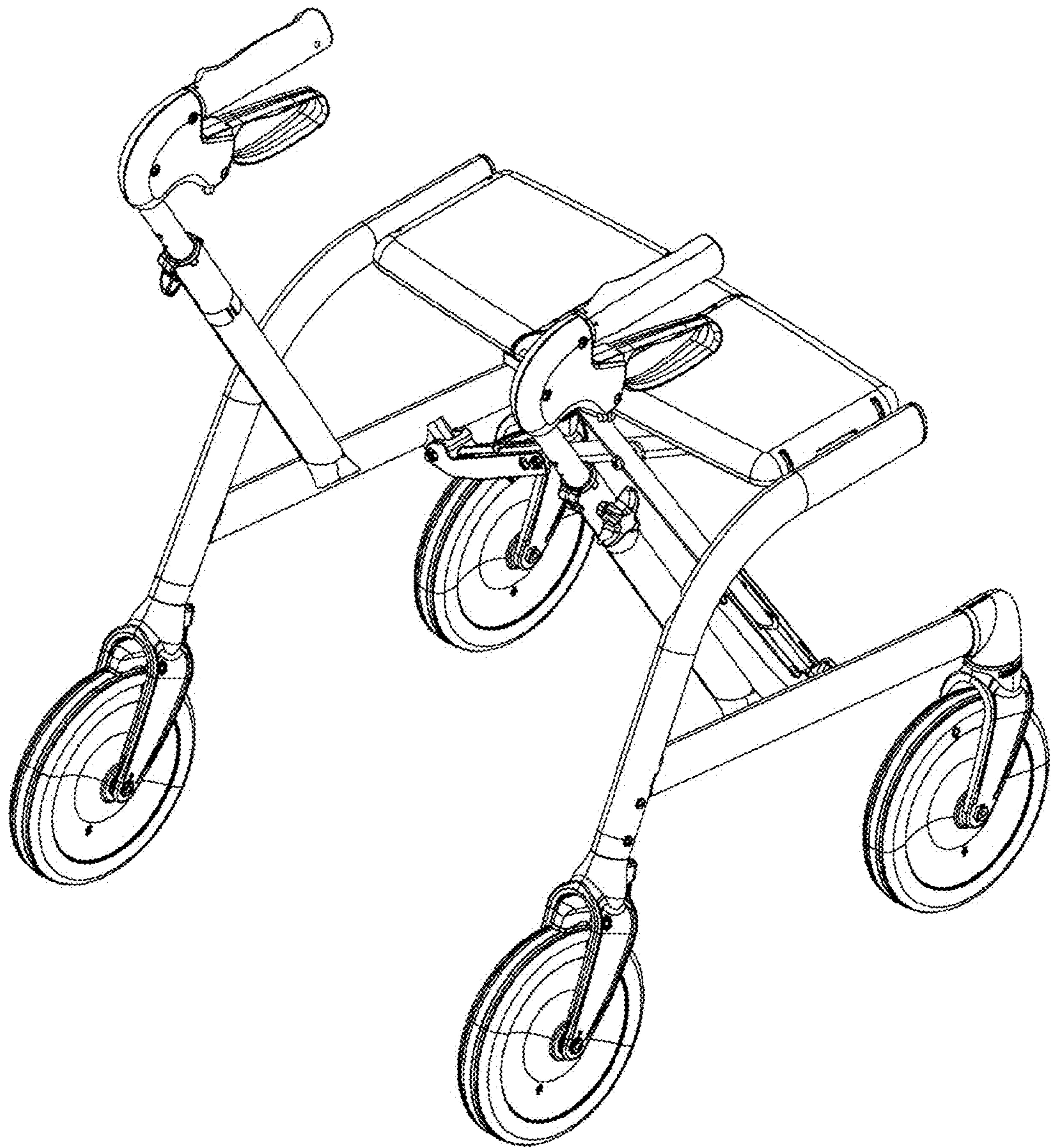
1.9



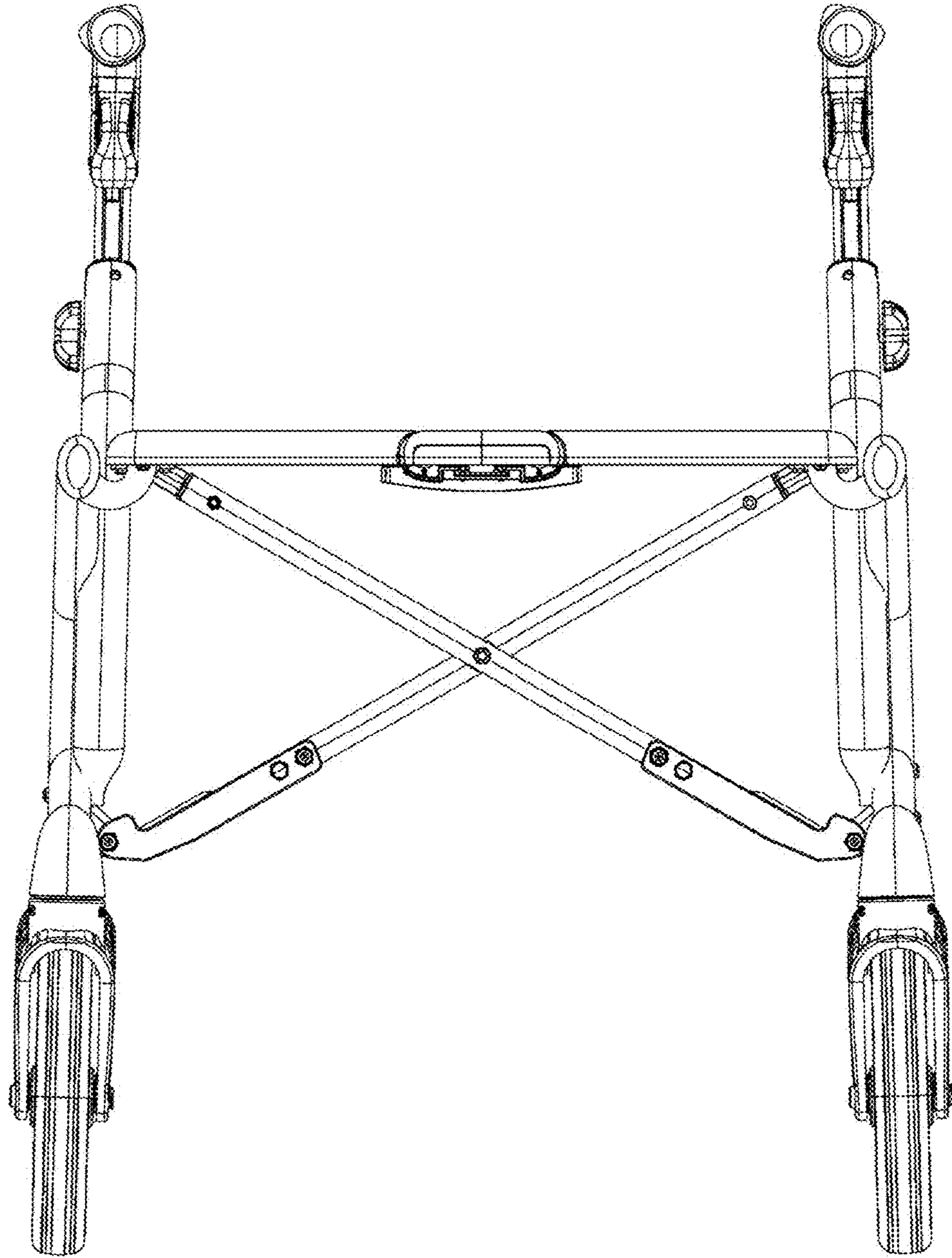
1.10



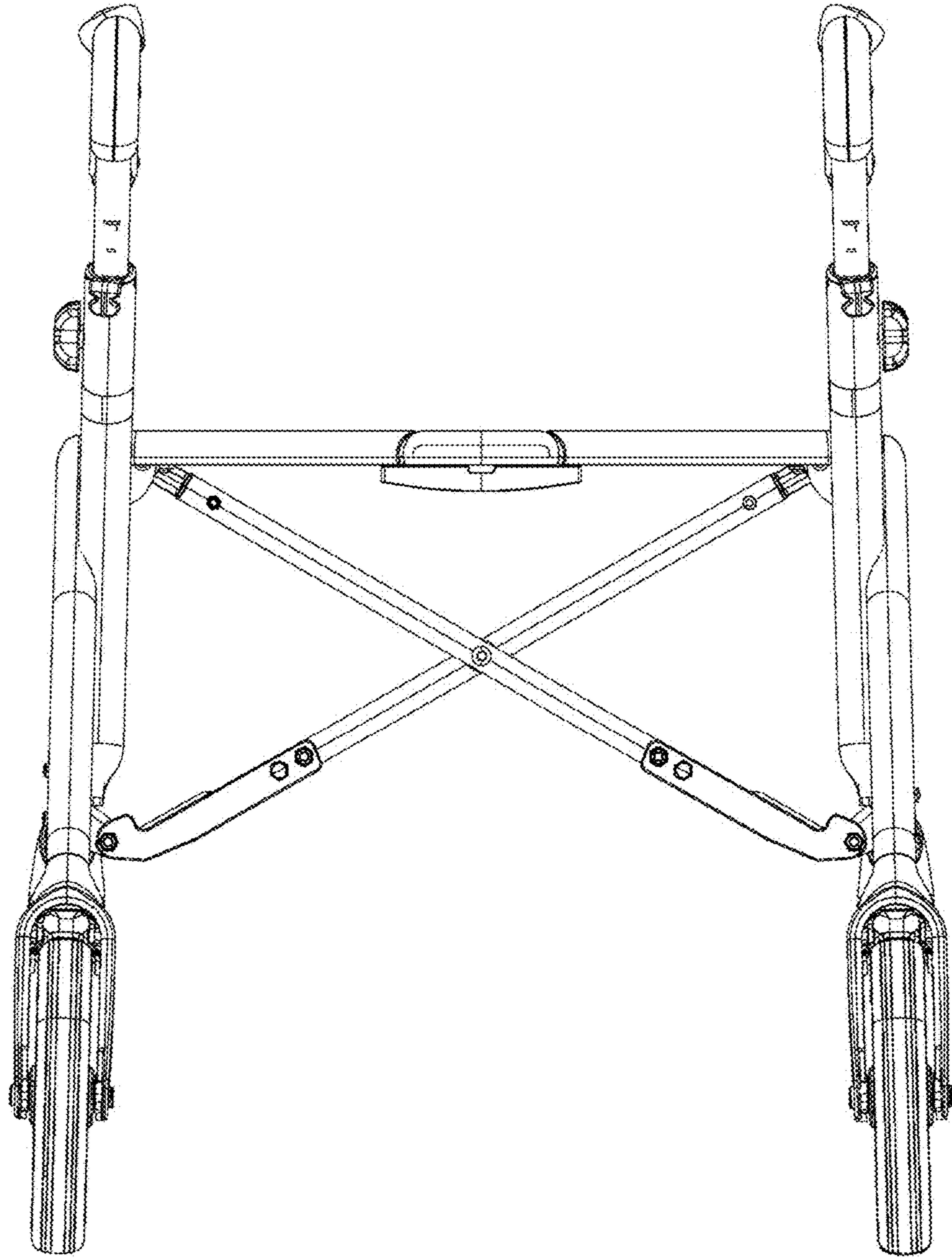
2.1



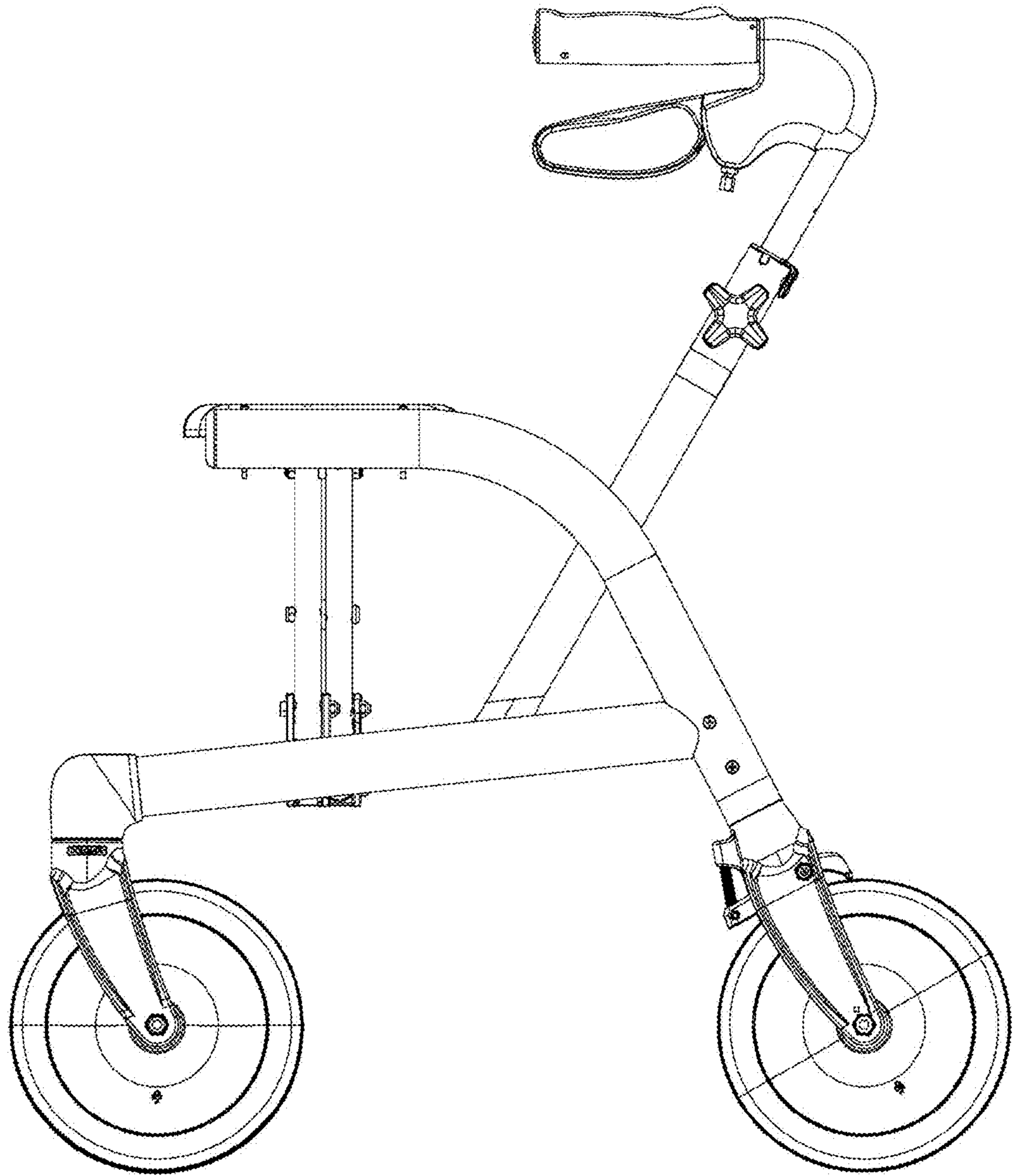
2.2



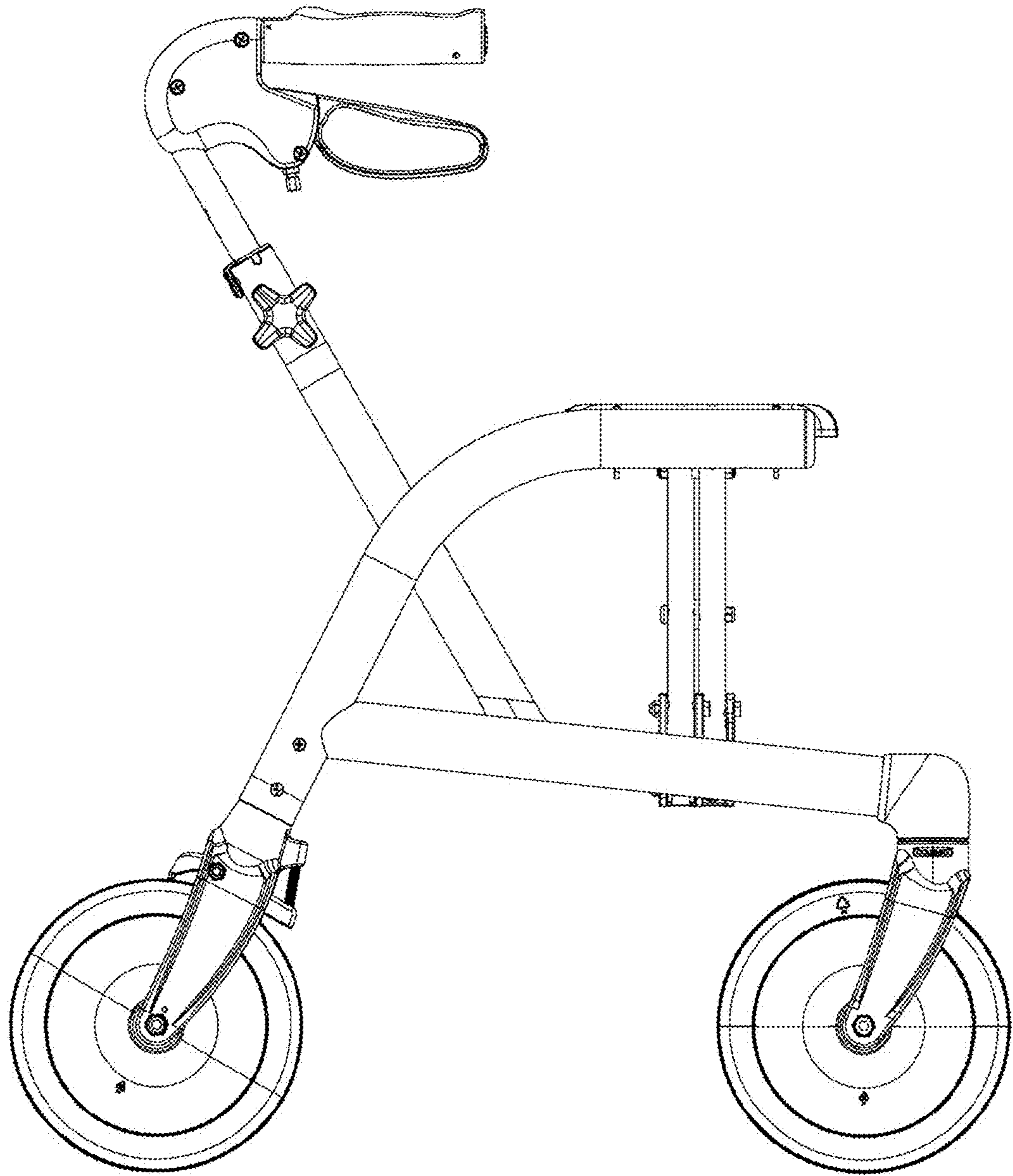
2.3



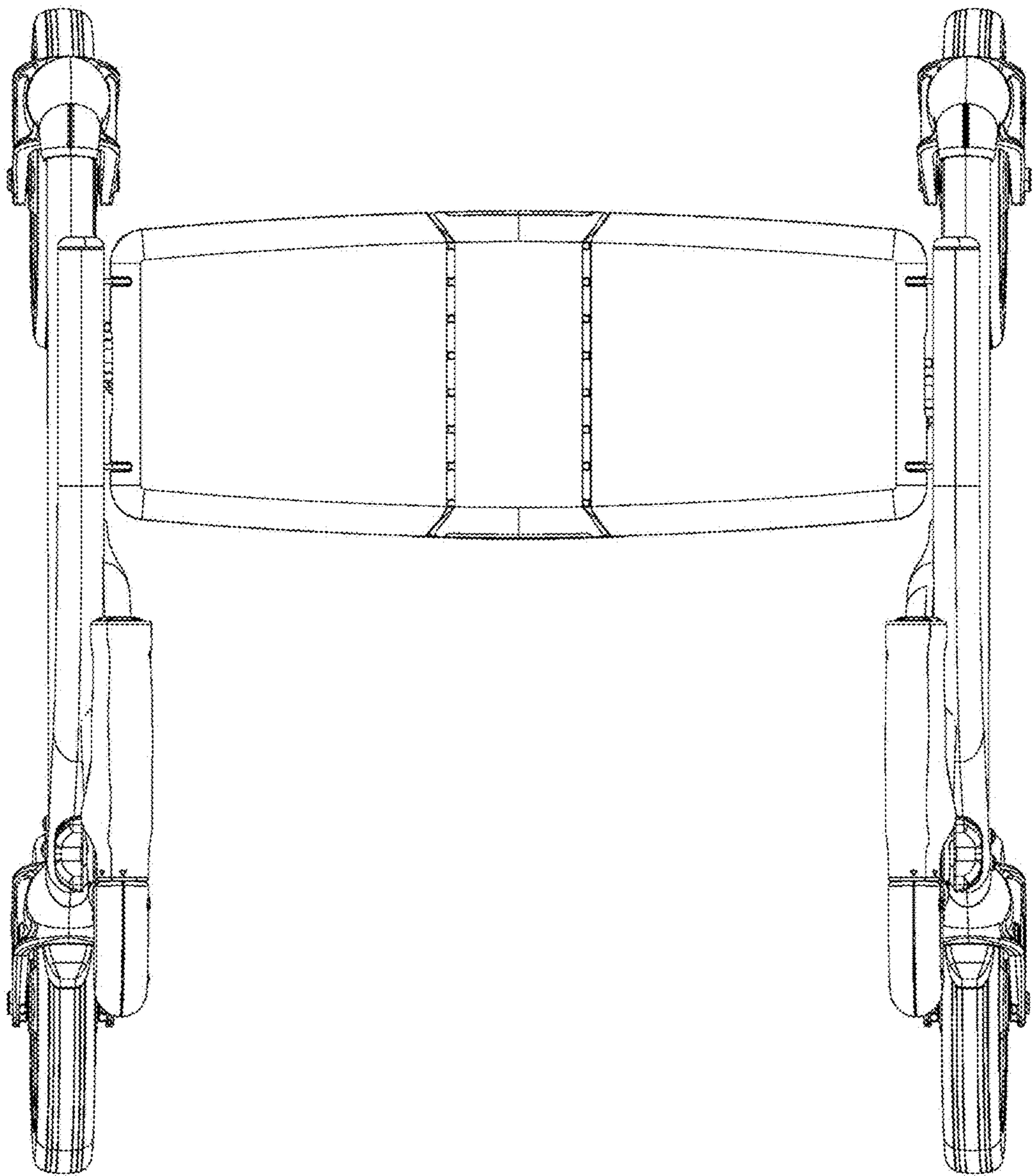
2.4



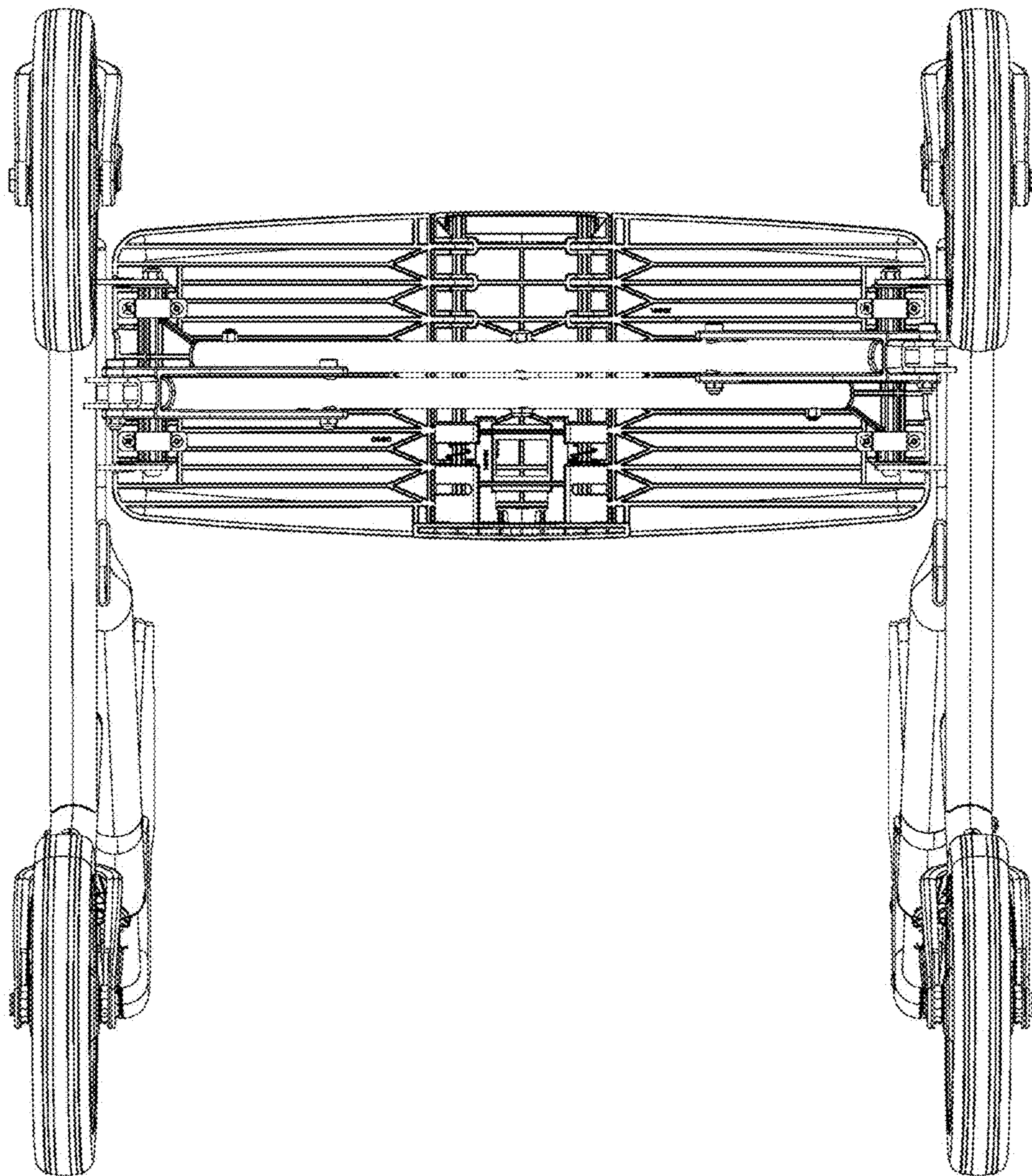
2.5



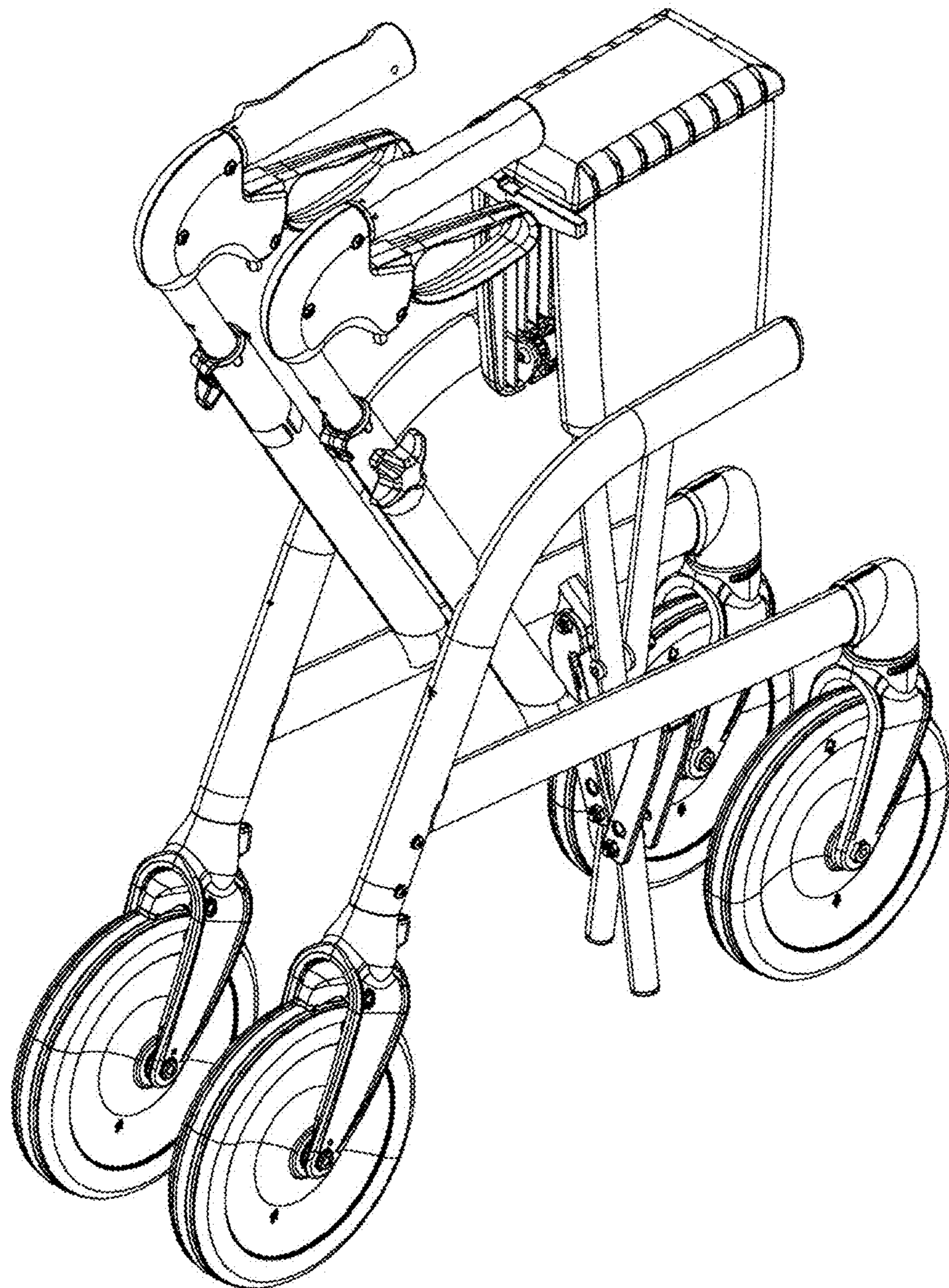
2.6



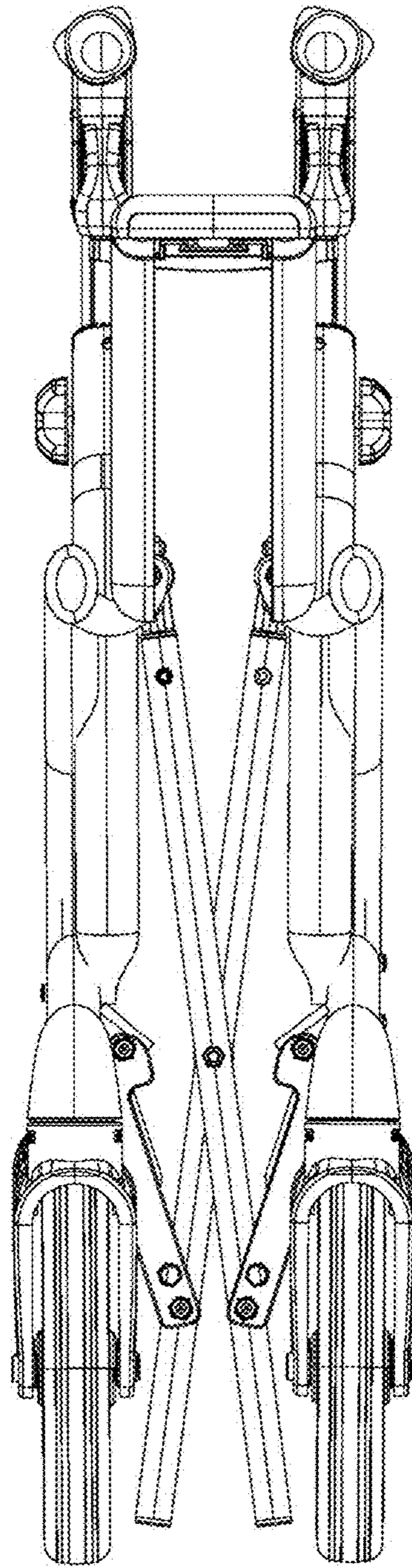
2.7



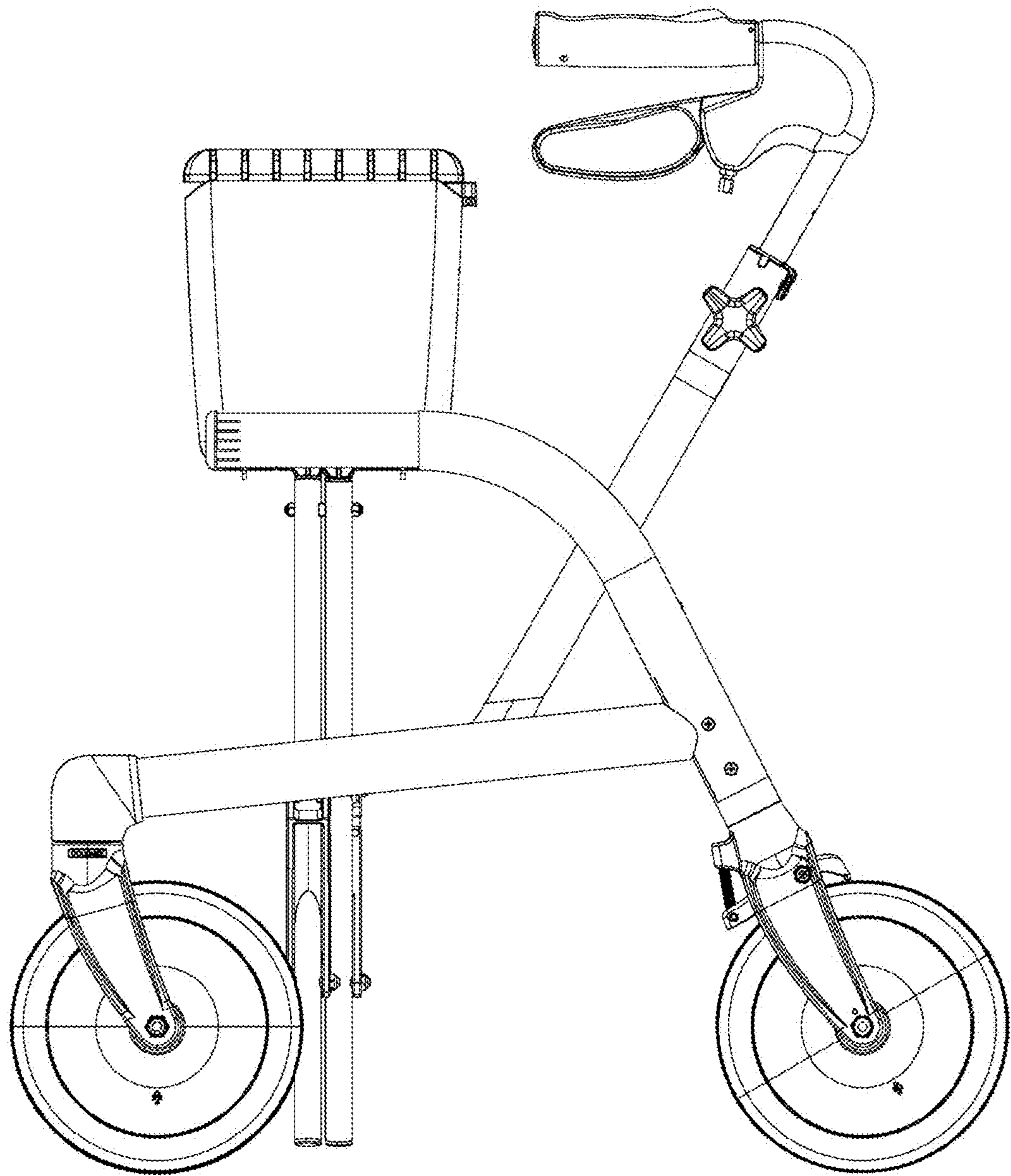
2.8



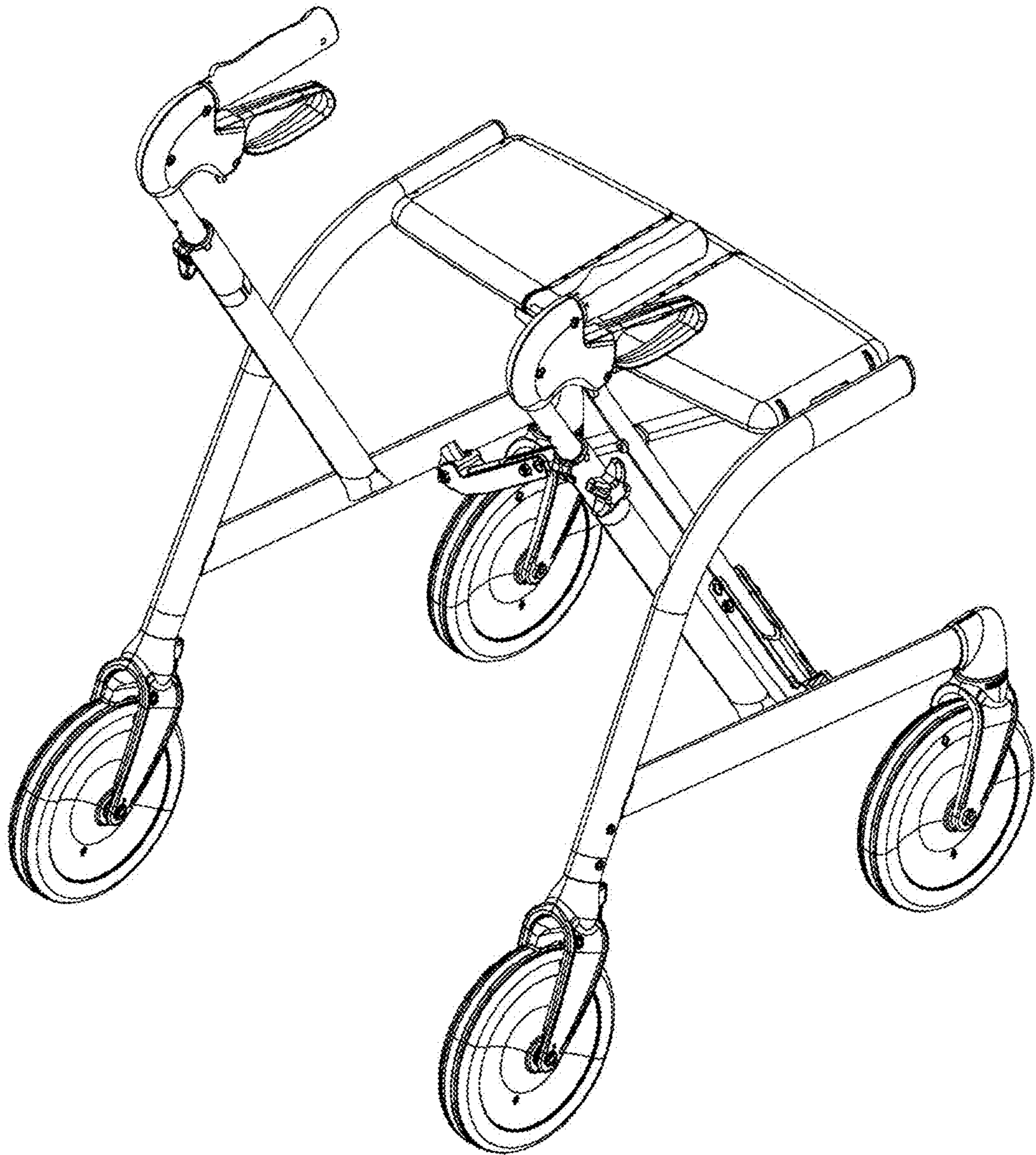
2.9



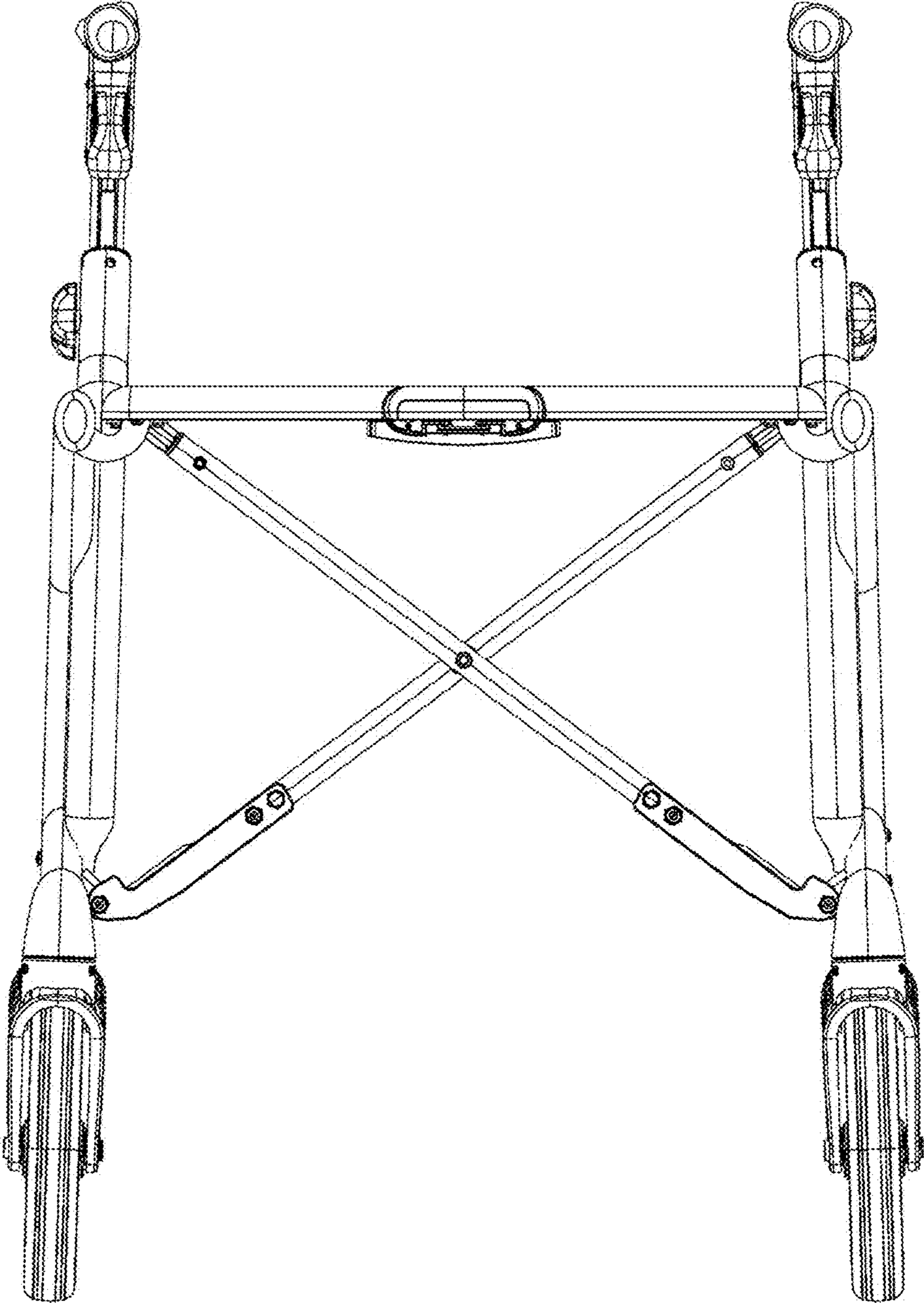
2.10



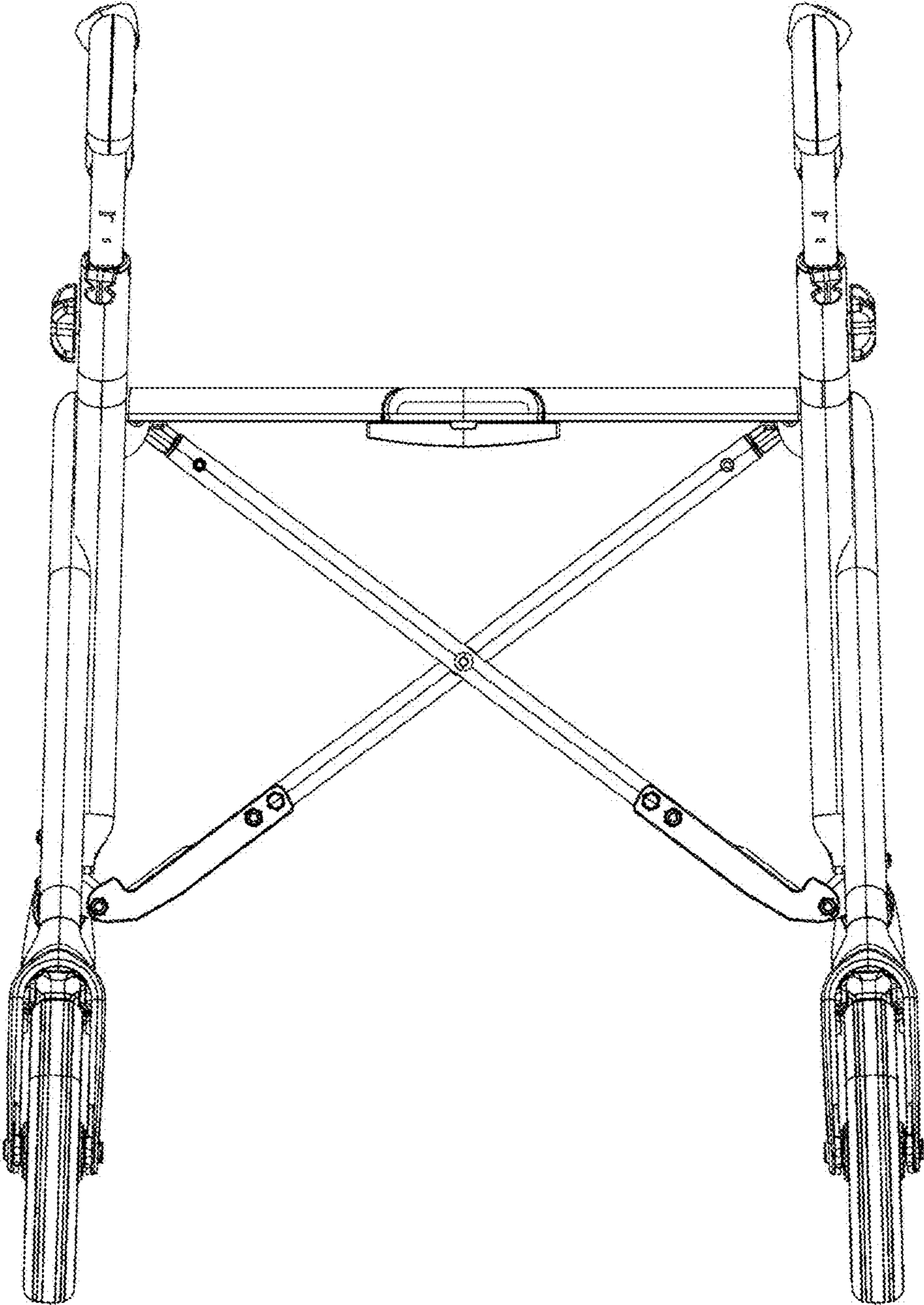
3.1



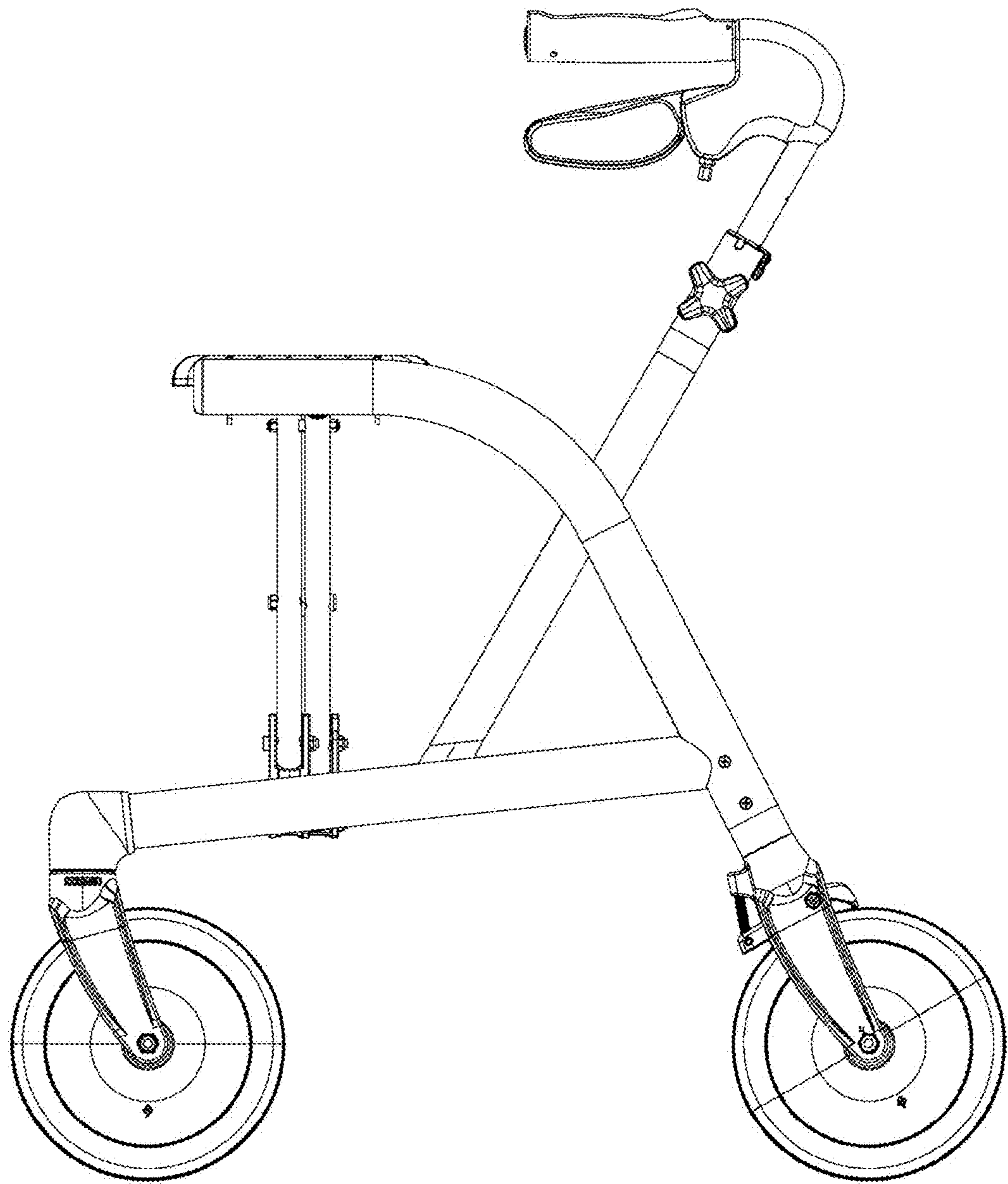
3.2



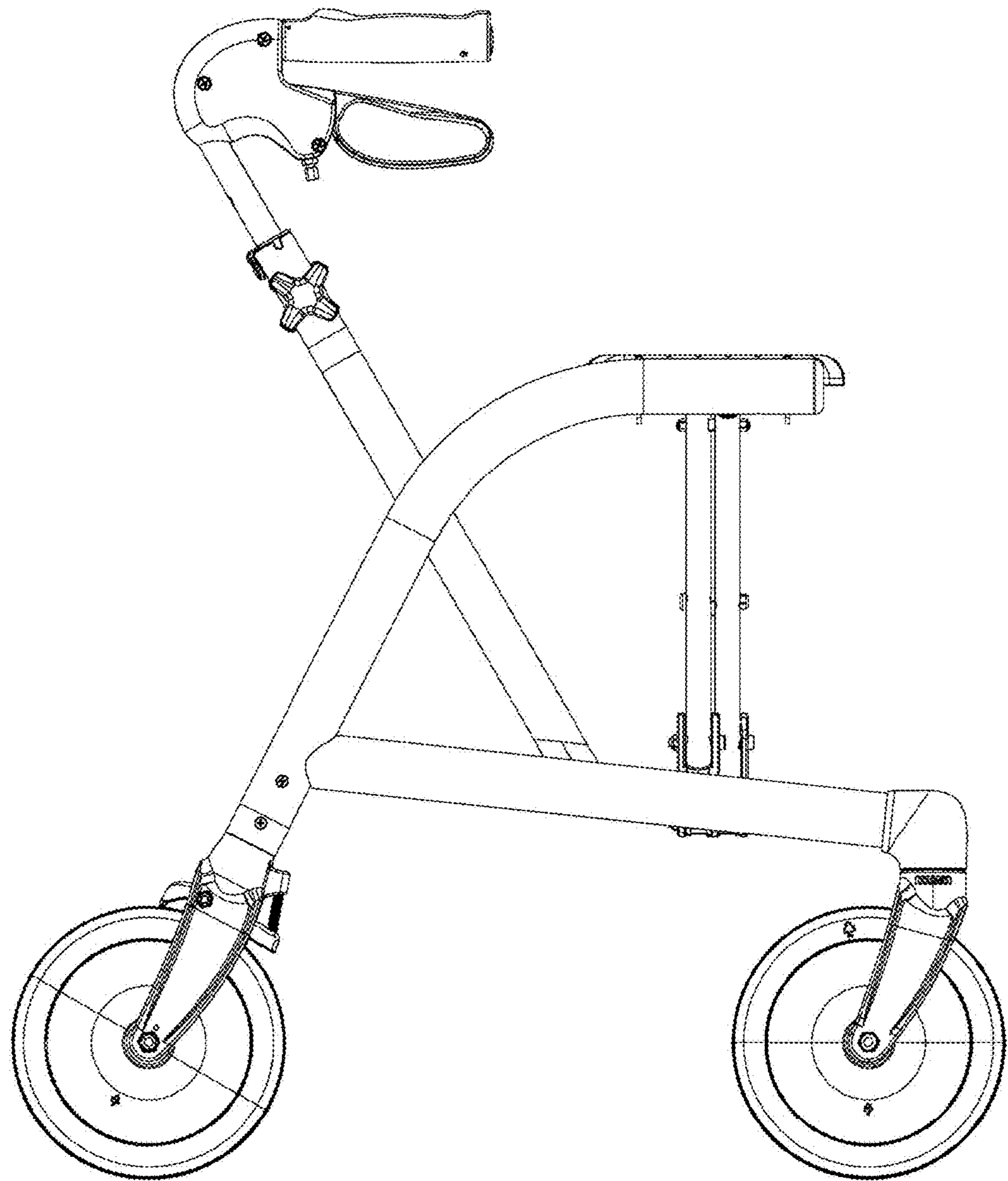
3.3



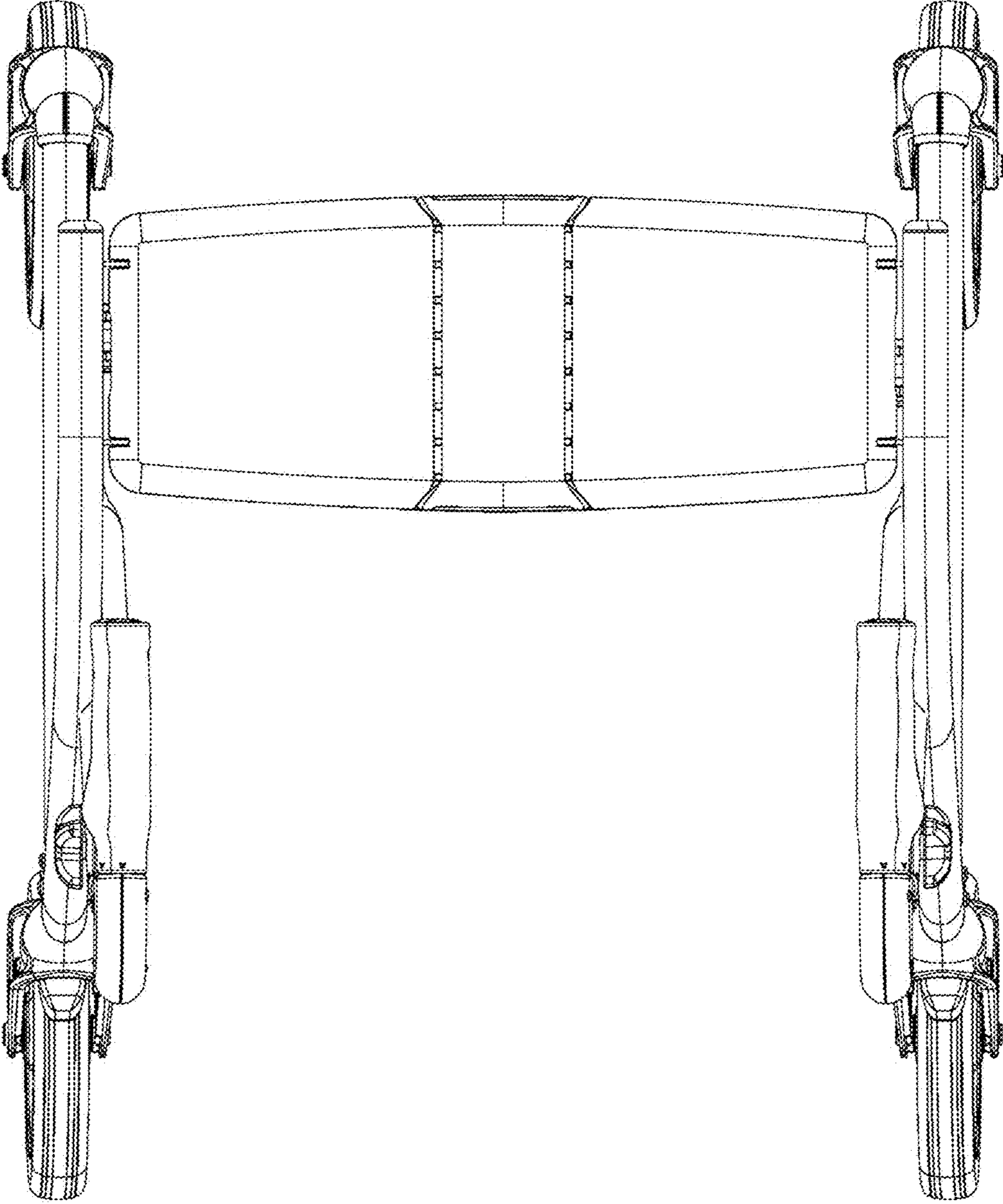
3.4



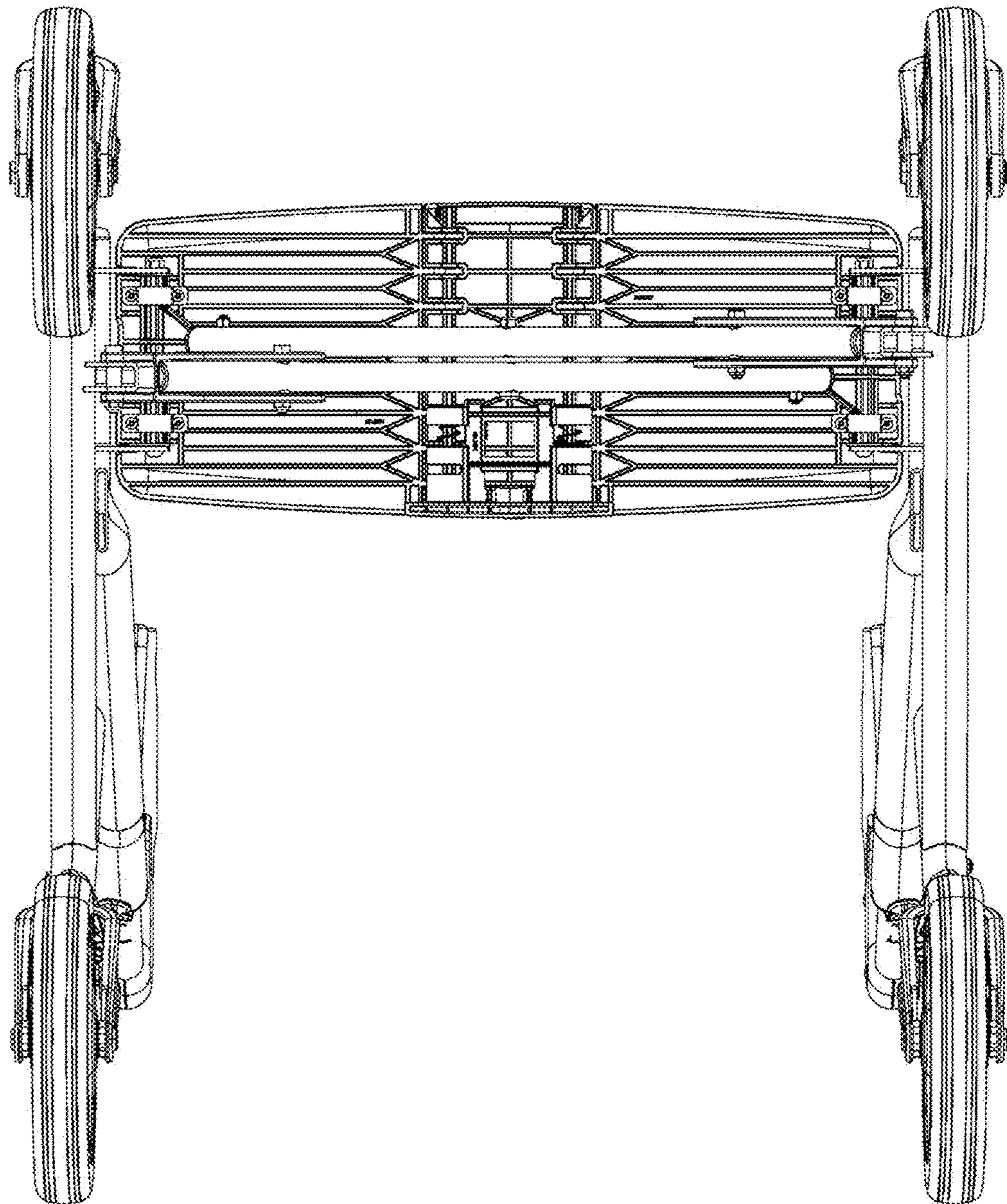
3.5



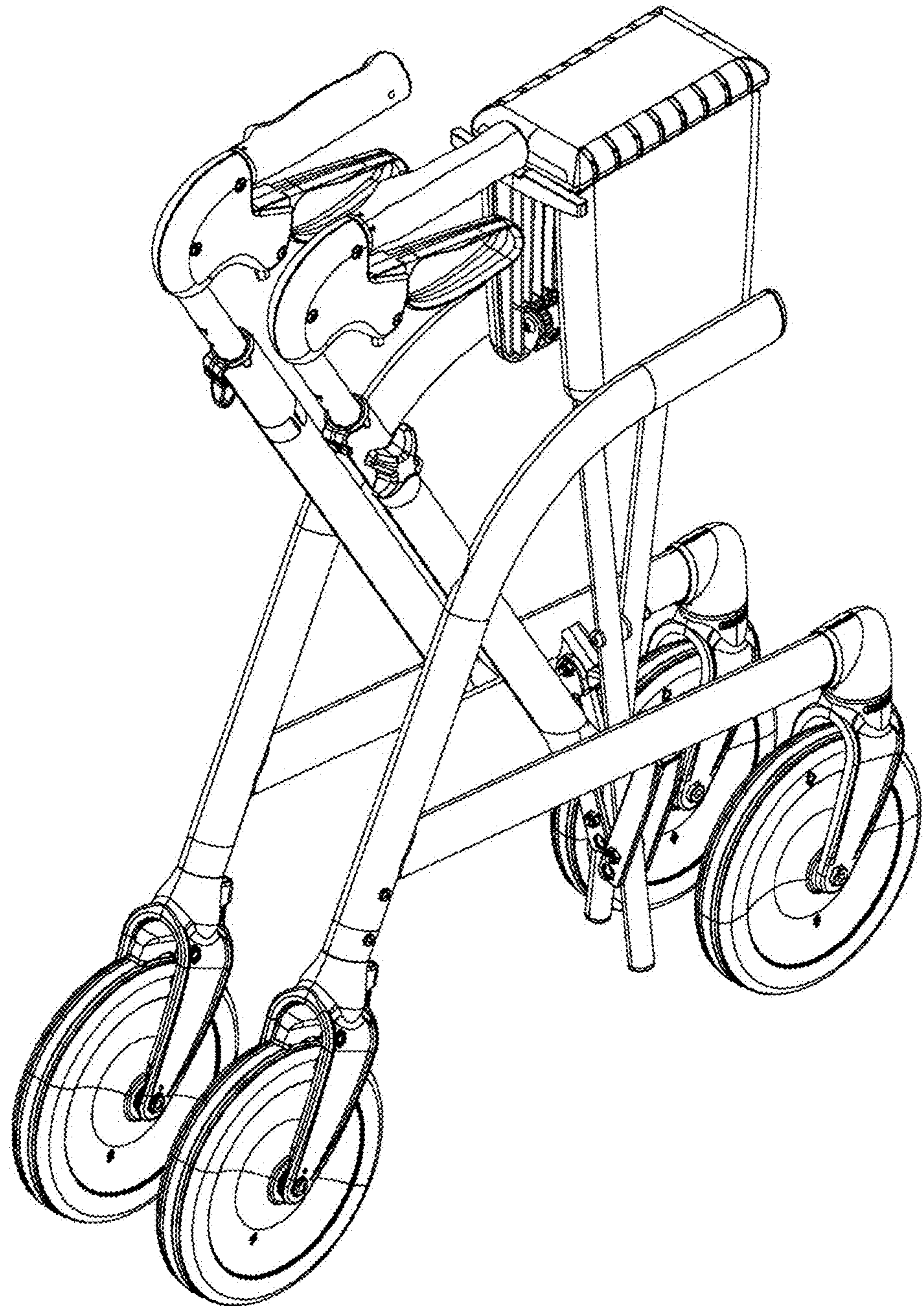
3.6



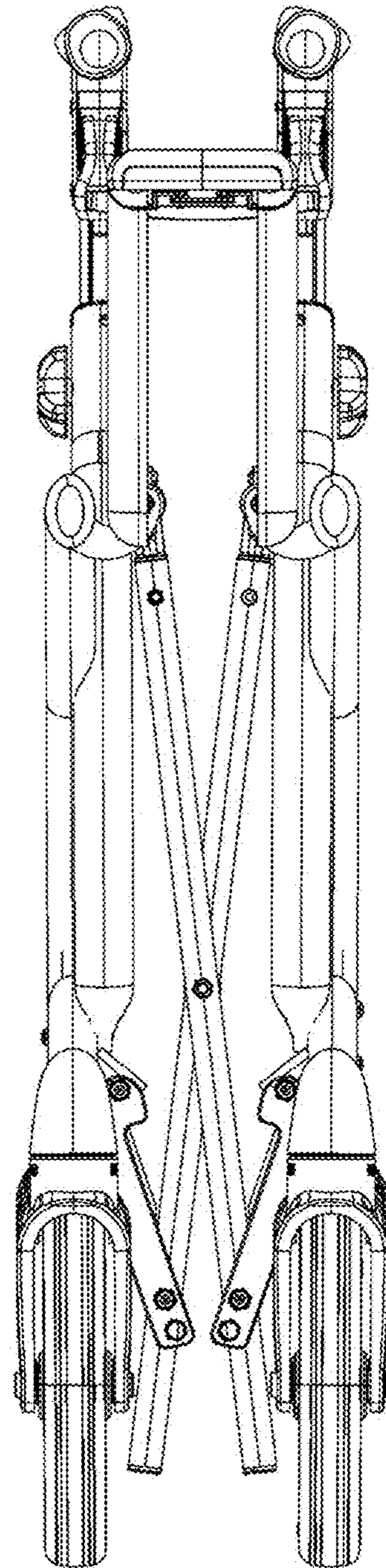
3.7



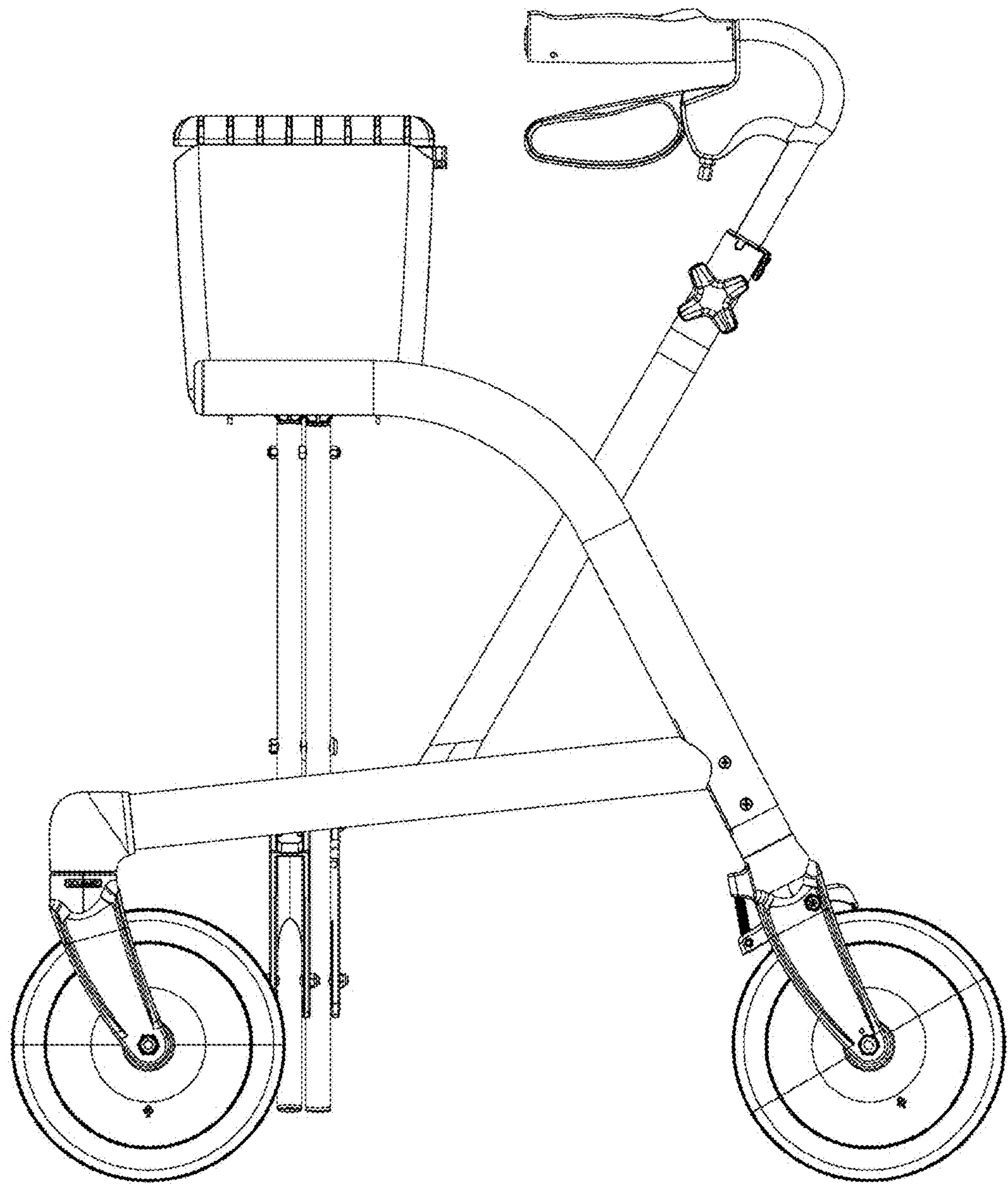
3.8



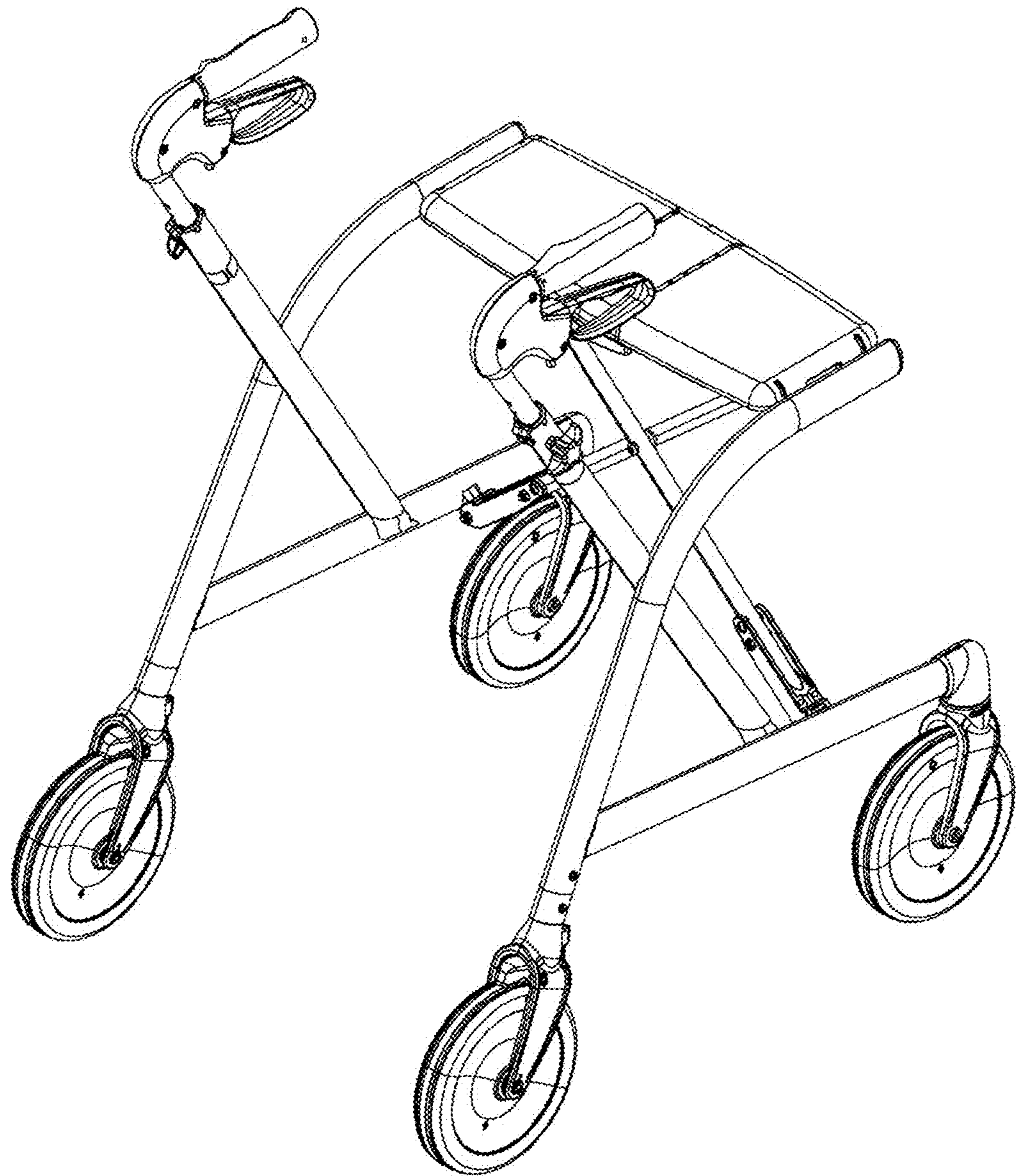
3.9



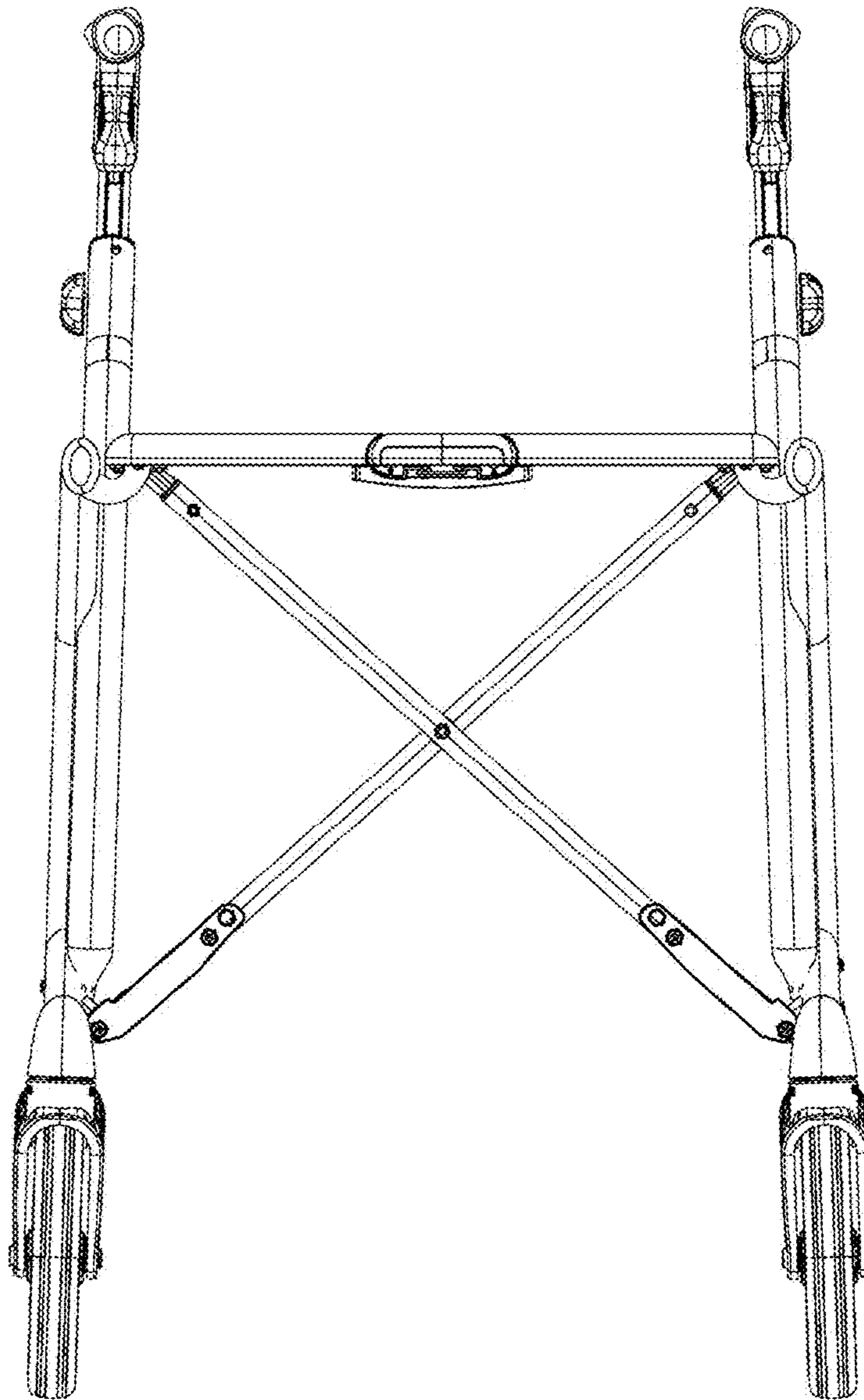
3.10



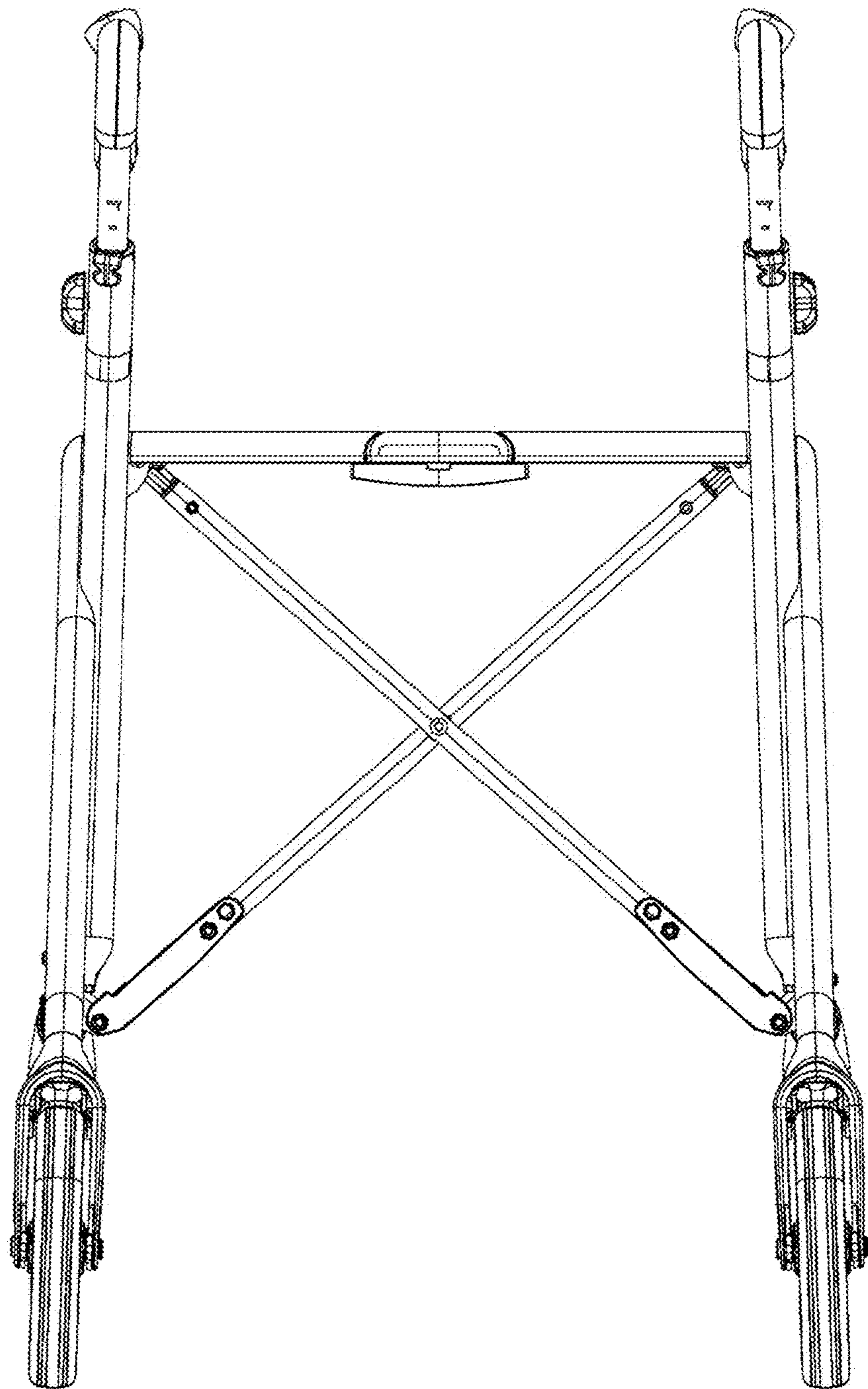
4.1



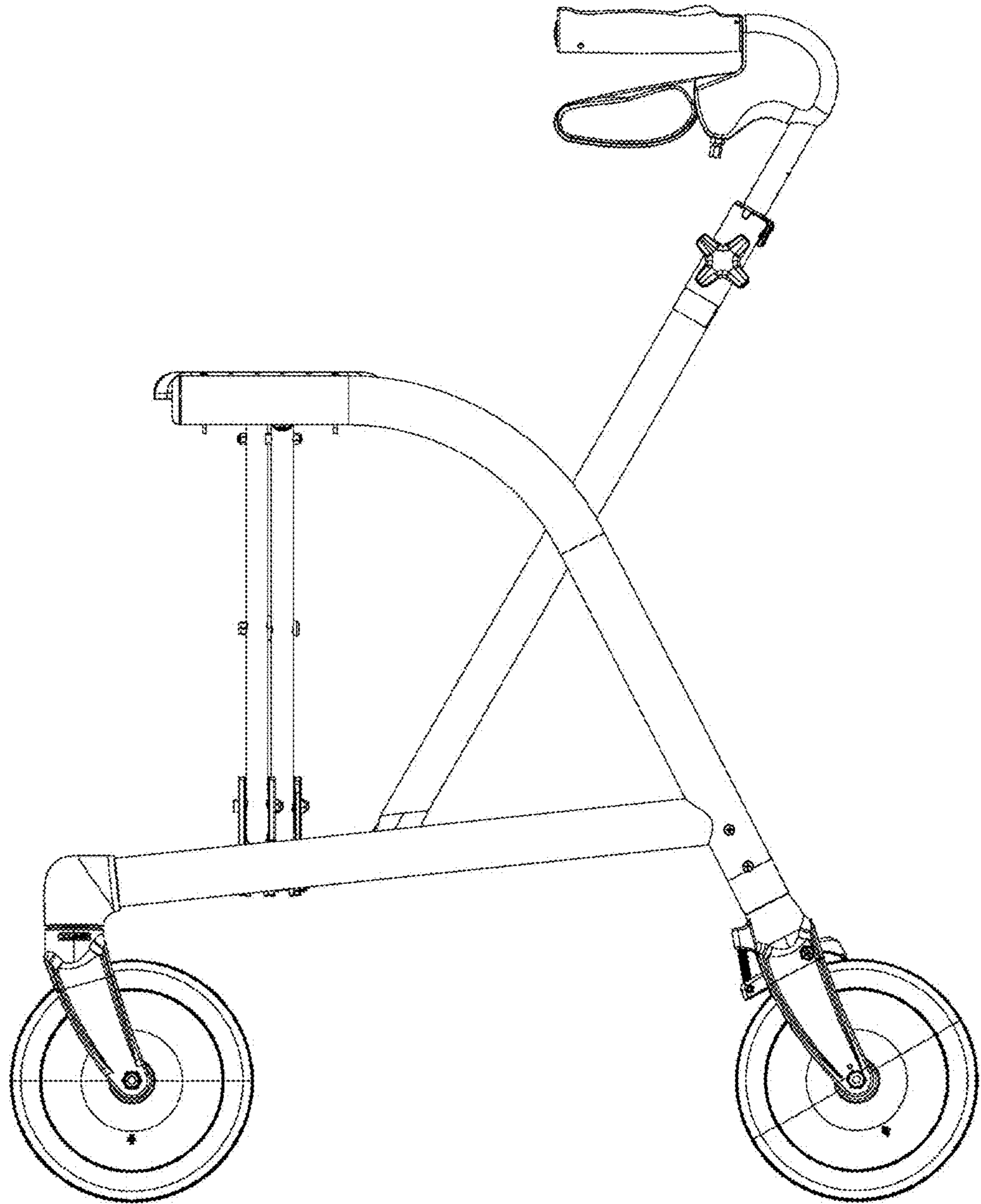
4.2



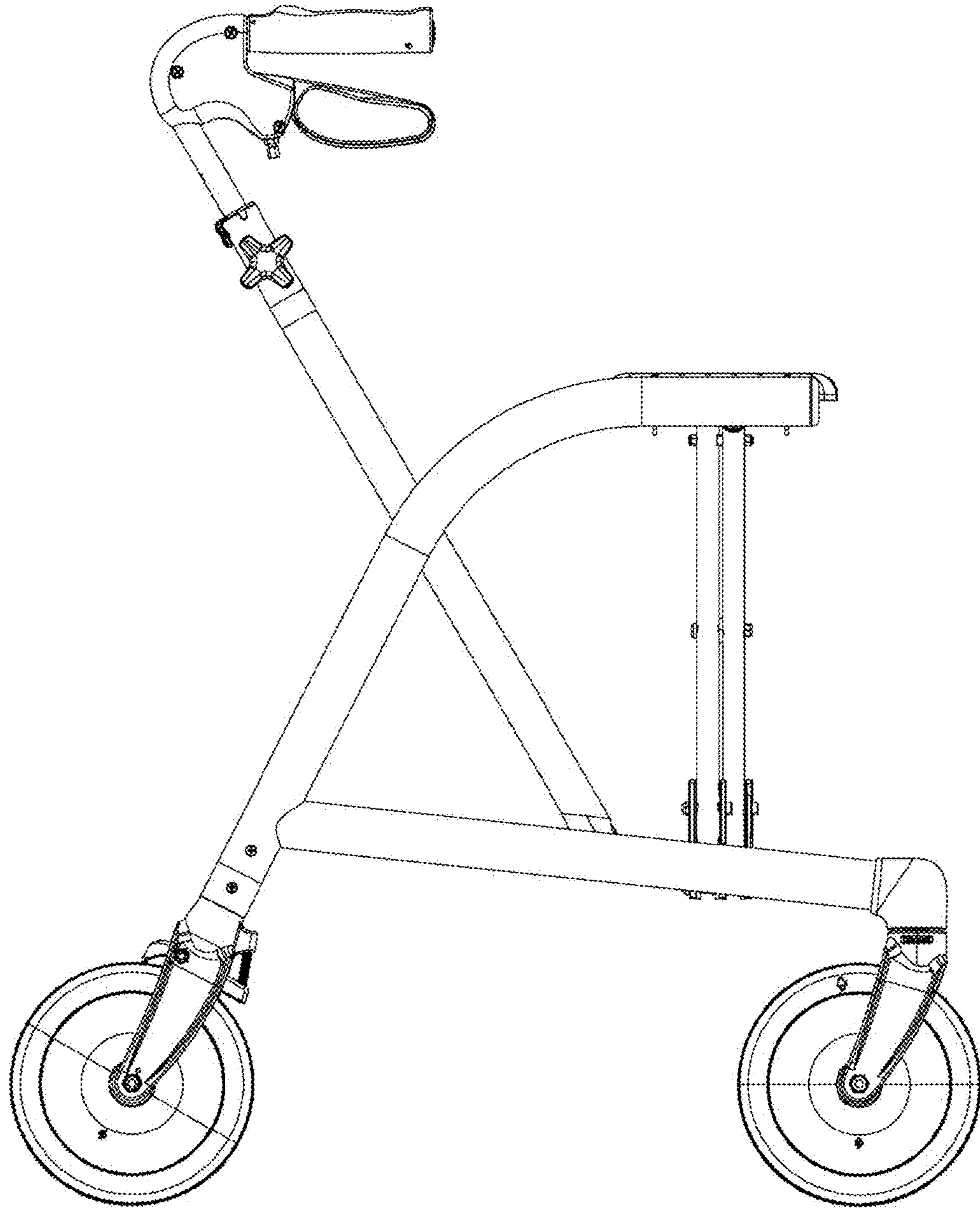
4.3



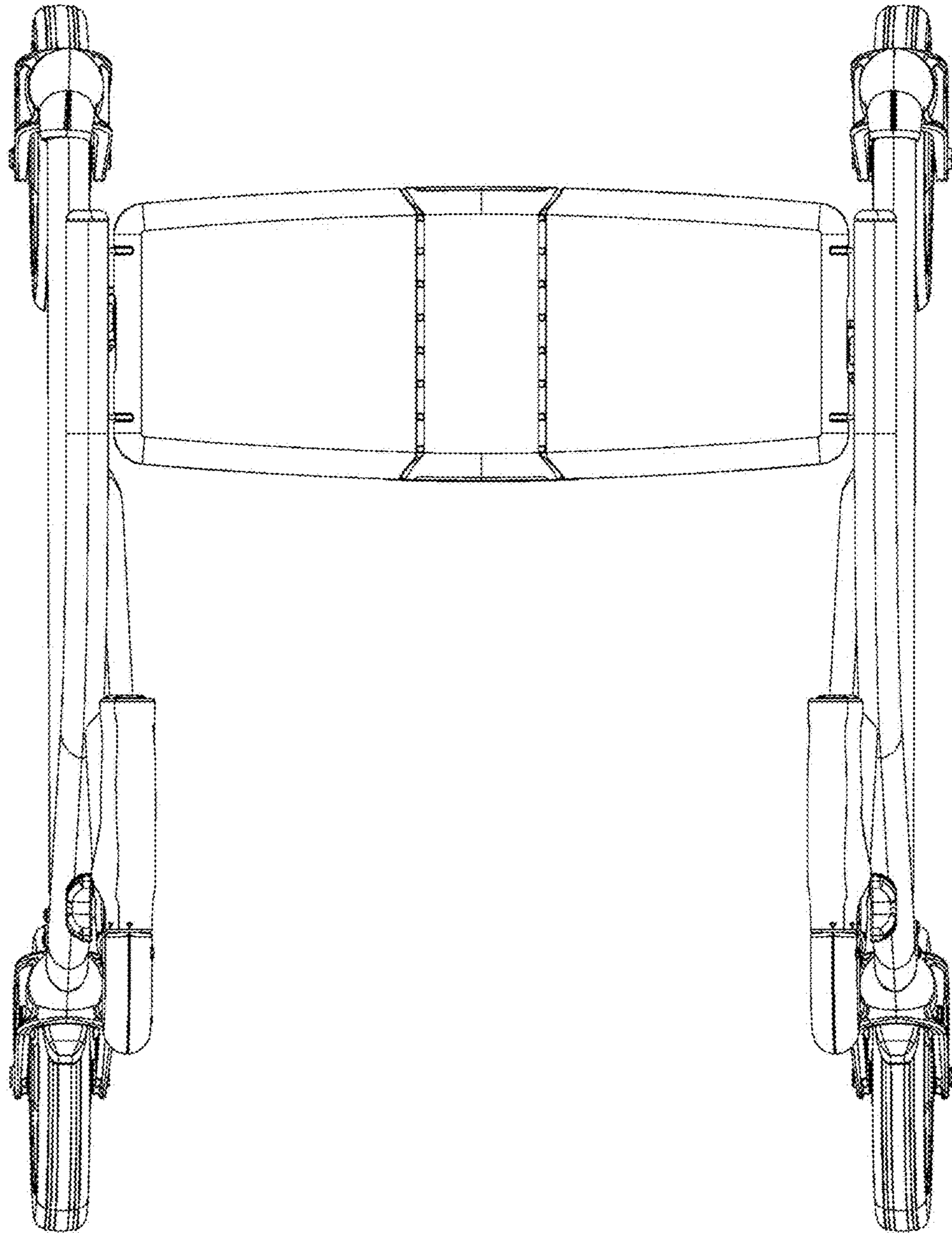
4.4



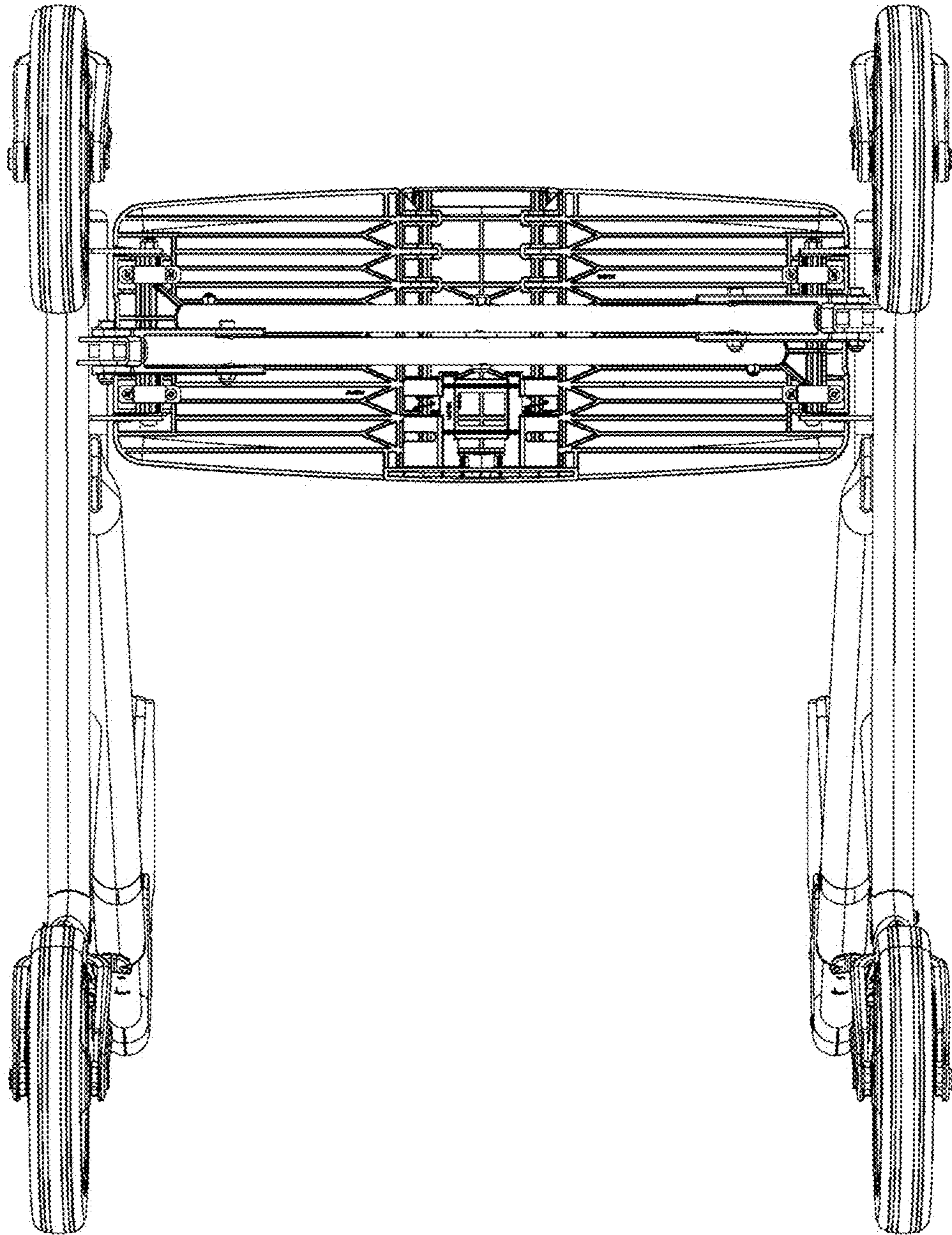
4.5



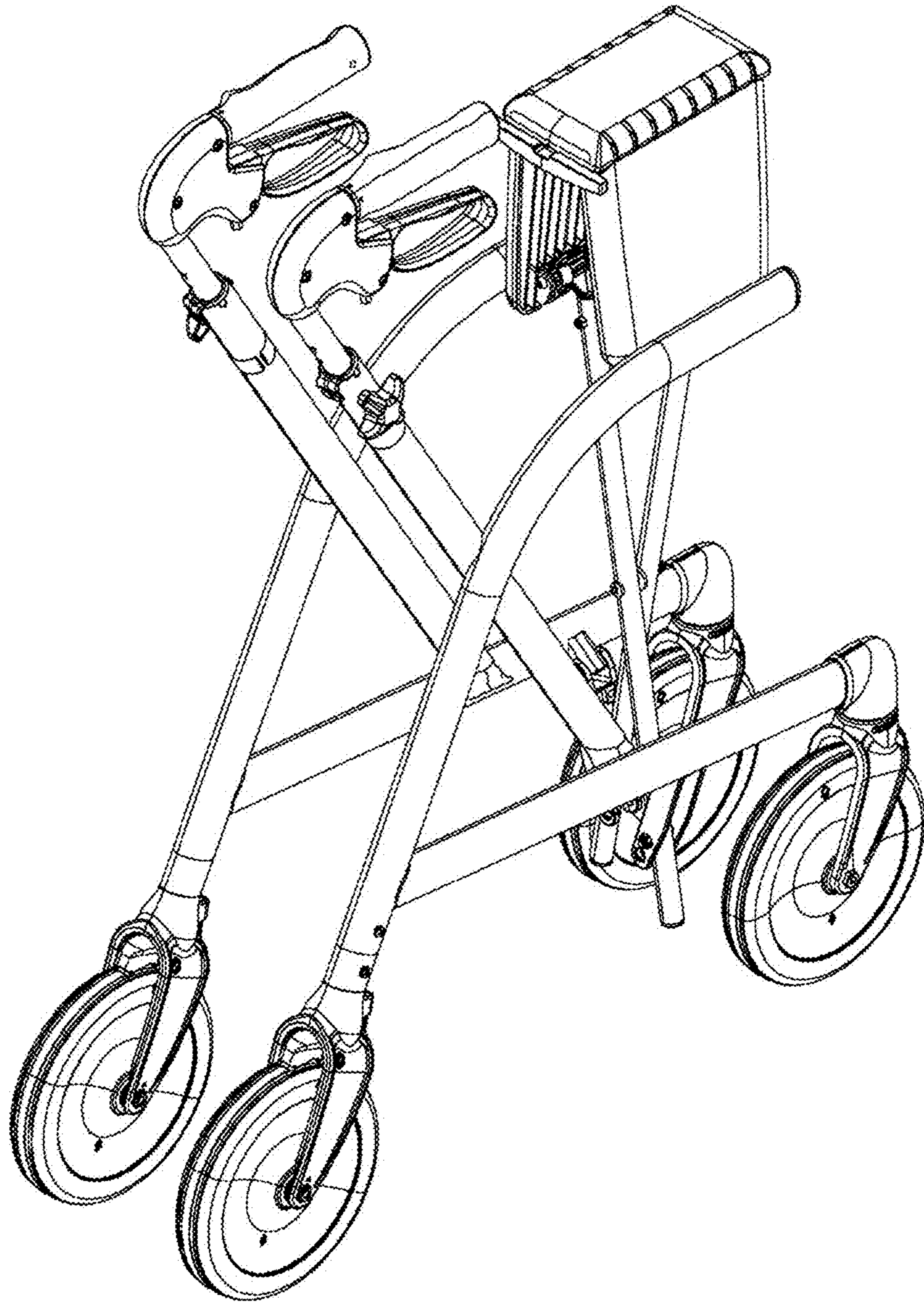
4.6



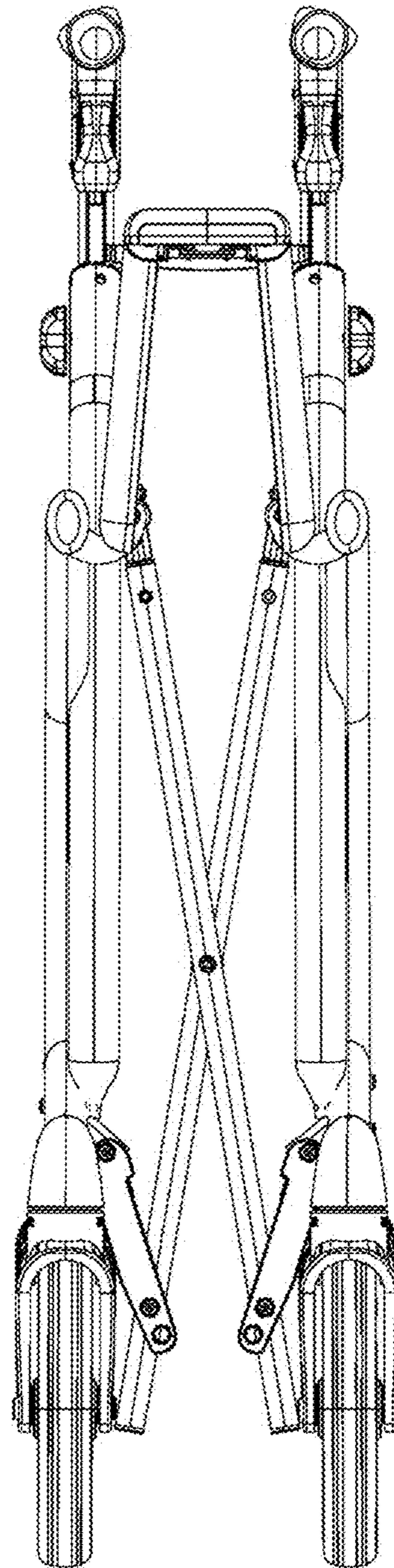
4.7



4.8



4.9



4.10

