



US00D929910S

(12) **United States Design Patent** (10) **Patent No.:** **US D929,910 S**  
**Sainz** (45) **Date of Patent:** **\*\* Sep. 7, 2021**

(54) **WHEELED WALKER**  
(71) Applicant: **Naomi A. Sainz**, Mescalero, NM (US)  
(72) Inventor: **Naomi A. Sainz**, Mescalero, NM (US)  
(\*\*) Term: **15 Years**  
(21) Appl. No.: **29/714,227**  
(22) Filed: **Nov. 21, 2019**  
(51) **LOC (13) Cl.** ..... **12-12**  
(52) **U.S. Cl.**  
USPC ..... **D12/130**  
(58) **Field of Classification Search**  
USPC ..... D12/130  
CPC ..... A61H 3/00; A61H 3/04; A61H  
2003/001-007; A61H 2003/043; A61H  
2003/046  
See application file for complete search history.

D857,562 S 8/2019 McCollough et al.  
D895,490 S \* 9/2020 Sakurai ..... D12/130  
D906,901 S \* 1/2021 Cerilli ..... D12/130  
D908,550 S \* 1/2021 Berman ..... D12/130  
2007/0170699 A1\* 7/2007 Li ..... A61H 3/04  
280/642  
2007/0283990 A1\* 12/2007 Fernandez ..... A61G 5/128  
135/67  
2012/0205882 A1\* 8/2012 Staggs ..... A61G 5/1002  
280/30  
2013/0113187 A1\* 5/2013 Willis ..... A61G 5/08  
280/649

\* cited by examiner

*Primary Examiner* — Charles D Hanson  
(74) *Attorney, Agent, or Firm* — Suzanne Kikel, Patent Agent

(57) **CLAIM**  
The ornamental design for a wheeled walker, as shown and described.

**DESCRIPTION**

FIG. 1 is a front, perspective view of a wheeled walker with the slidable foot rest lowered, showing my new design. FIG. 1B is a front, perspective view of the wheeled walker with the slidable foot rest raised. FIG. 2 is a front elevation view of FIG. 1. FIG. 3 is a rear elevation view thereof. FIG. 4 is a top plan view thereof. FIG. 5 is a bottom plan view thereof. FIG. 6 is a left side elevation view thereof; and, FIG. 7 is a right side elevation view thereof.

(56) **References Cited**  
U.S. PATENT DOCUMENTS  
D293,663 S 1/1988 Erfurth  
D298,816 S 12/1988 Burkhart et al.  
D312,061 S 11/1990 Smith  
5,020,560 A 6/1991 Turberville  
D359,260 S 6/1995 Shriver  
D360,174 S 7/1995 Kjell et al.  
D365,786 S 1/1996 Peterson  
6,743,156 B1 6/2004 Jacques, II et al.  
7,108,004 B2 9/2006 Cowle et al.  
9,662,264 B2 5/2017 Jacobs  
D856,197 S 8/2019 Lougee

**1 Claim, 8 Drawing Sheets**

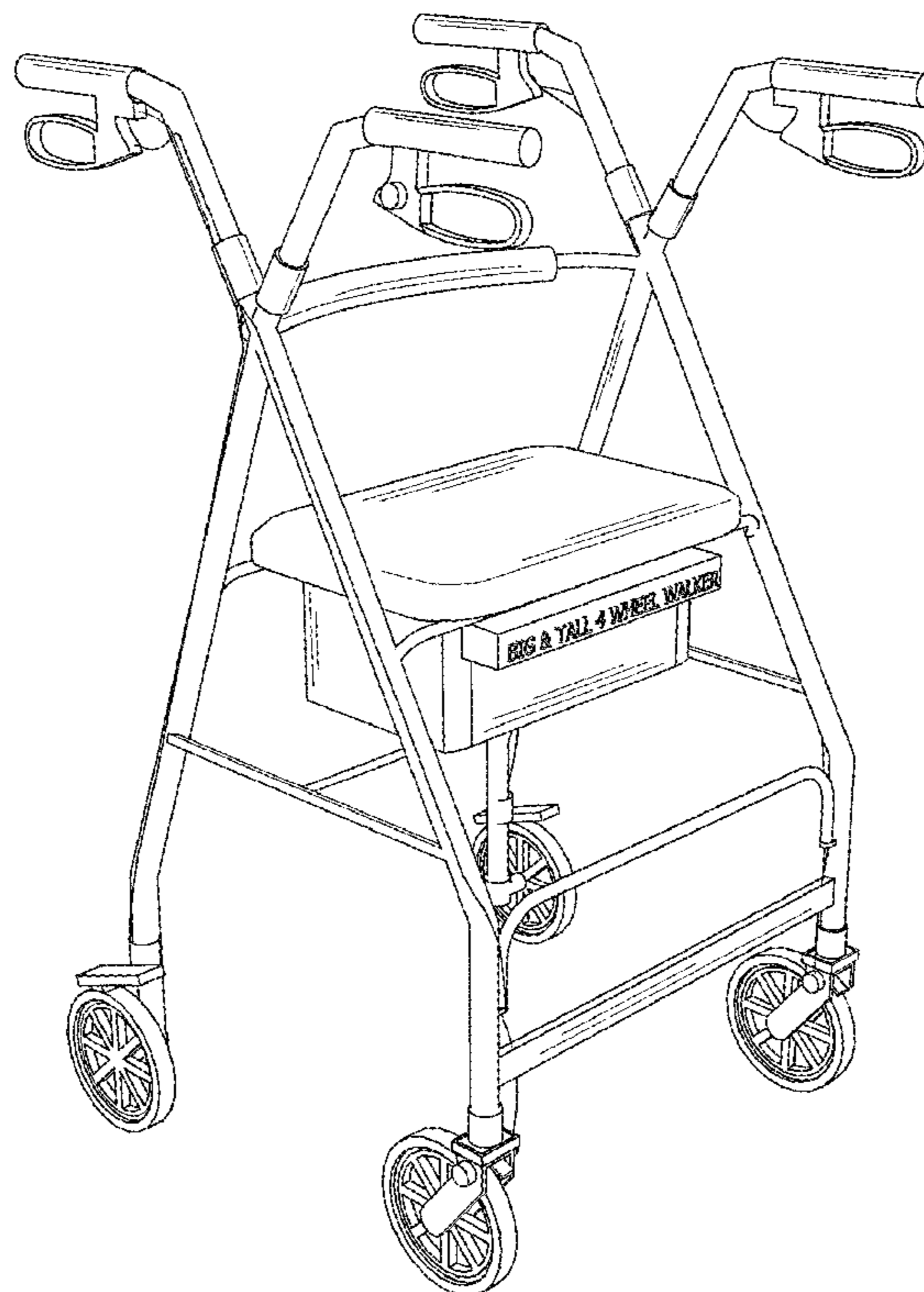




FIG. 1

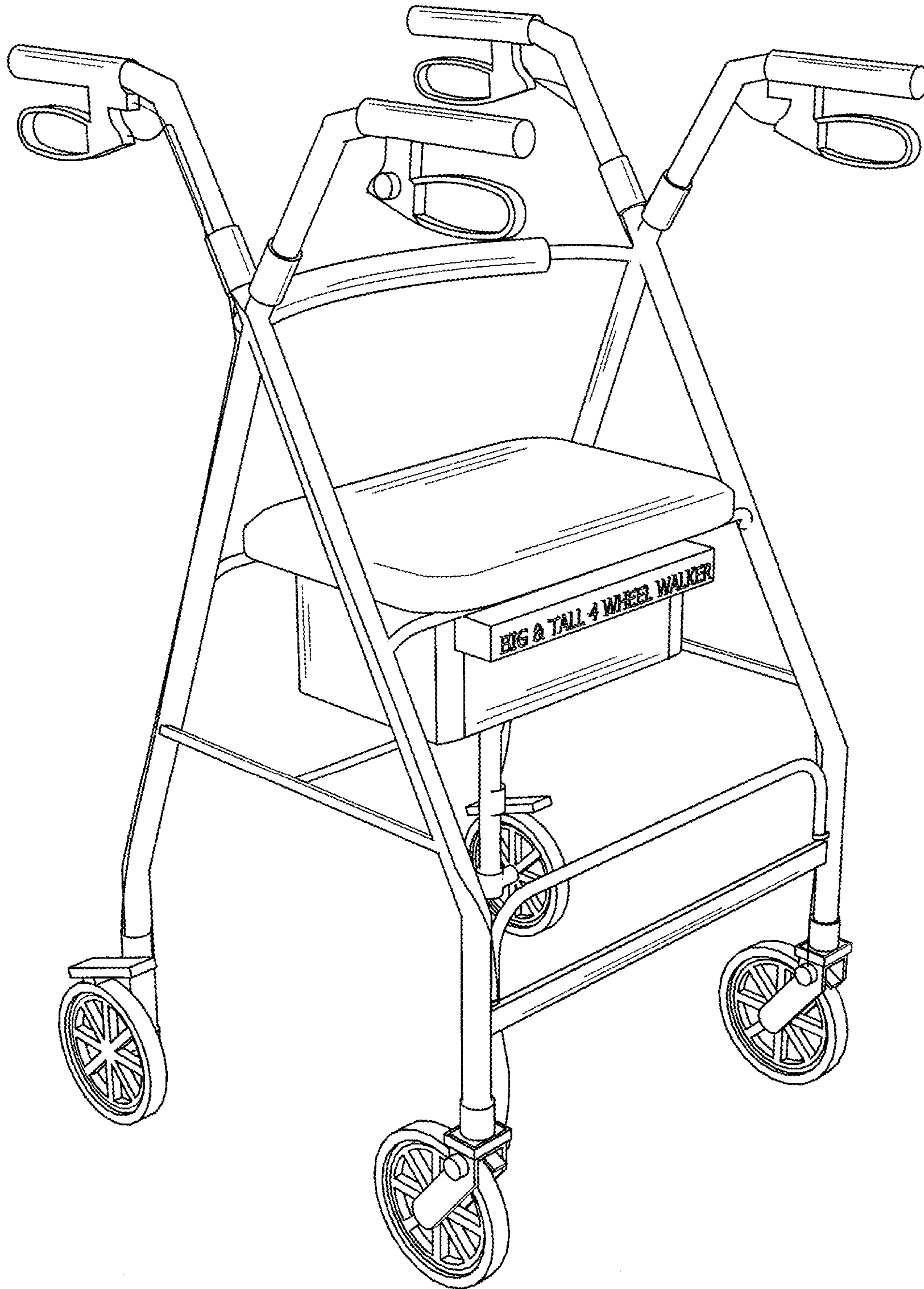


FIG. 1B

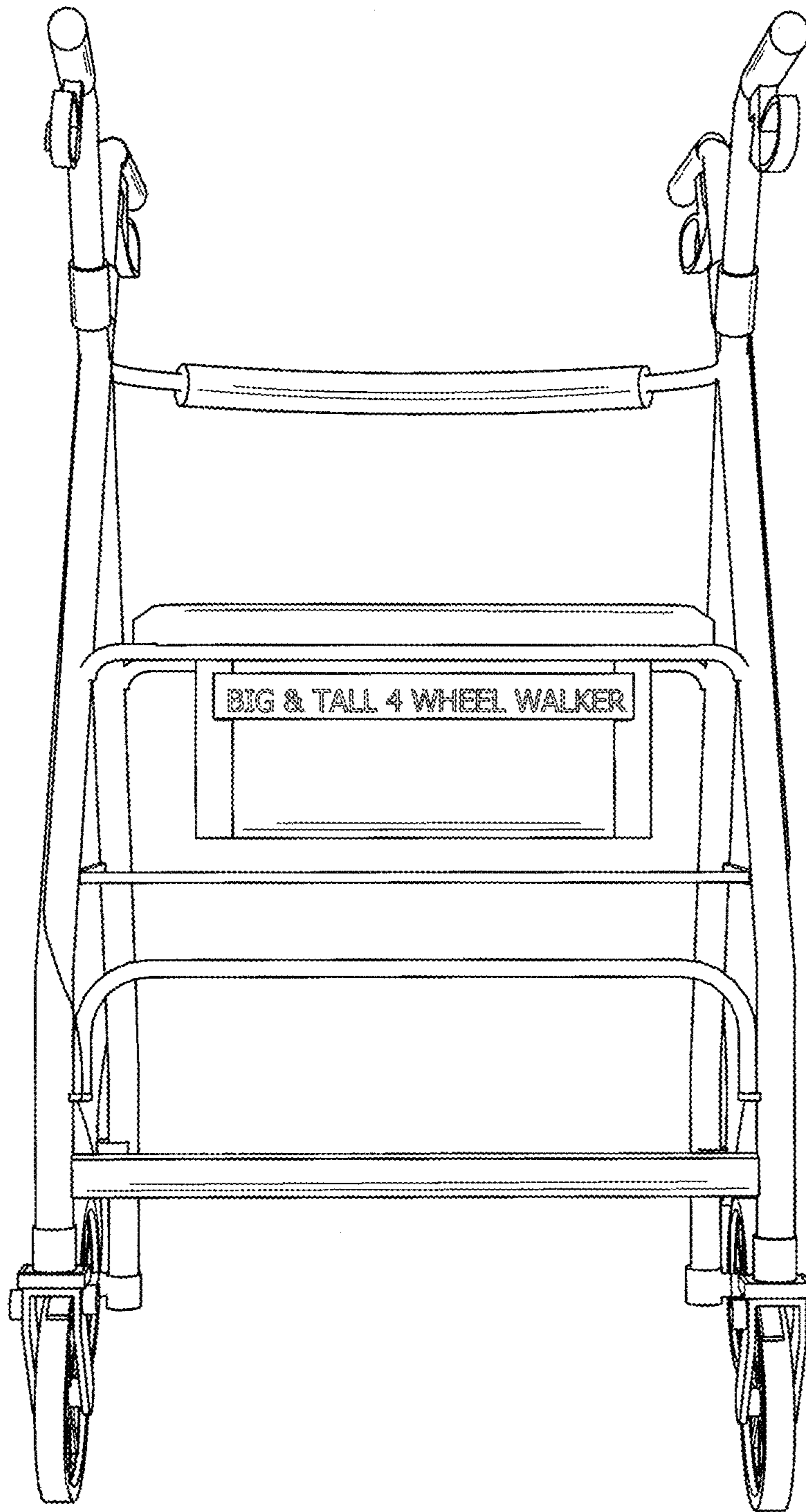


FIG. 2

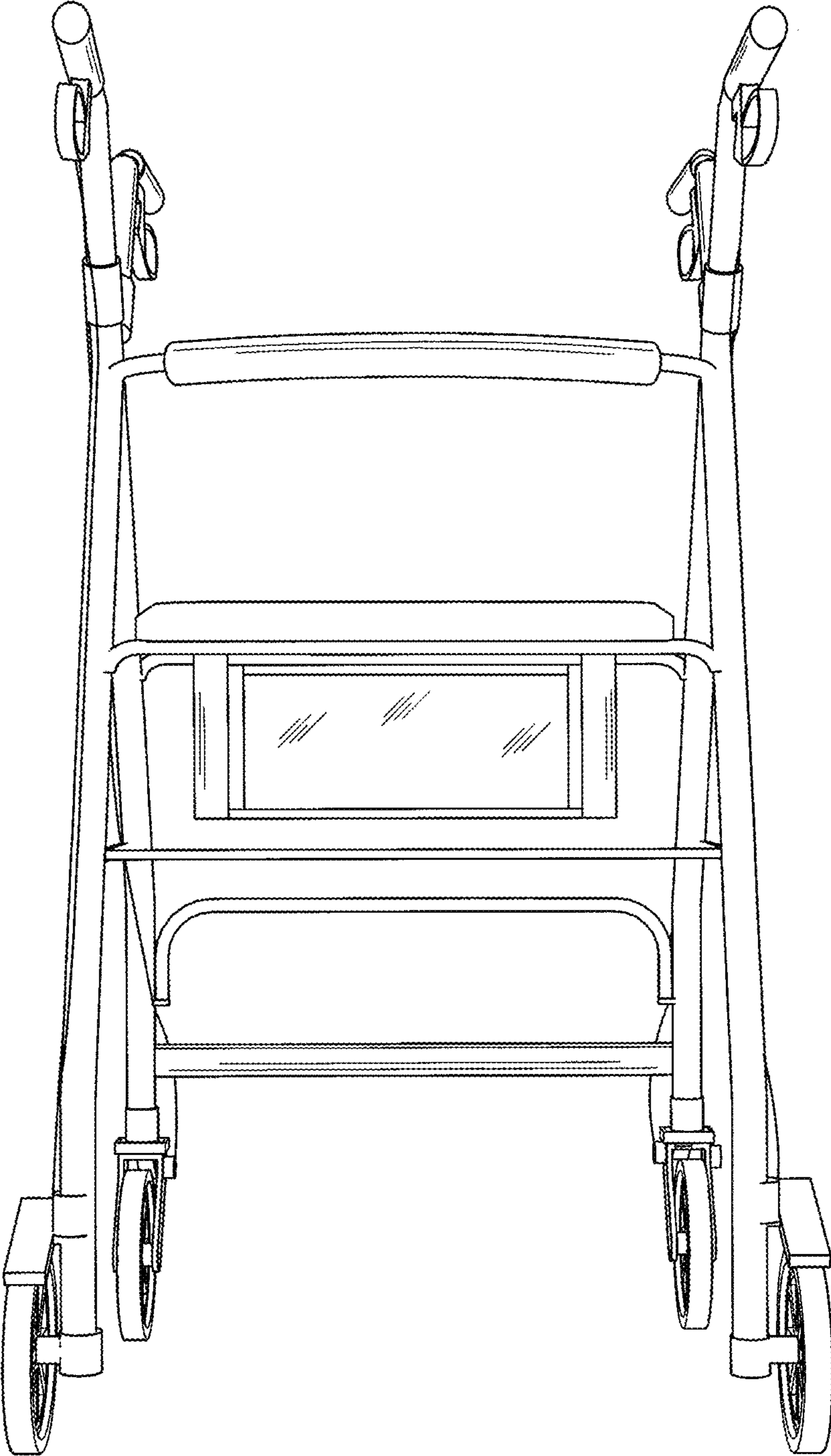


FIG. 3

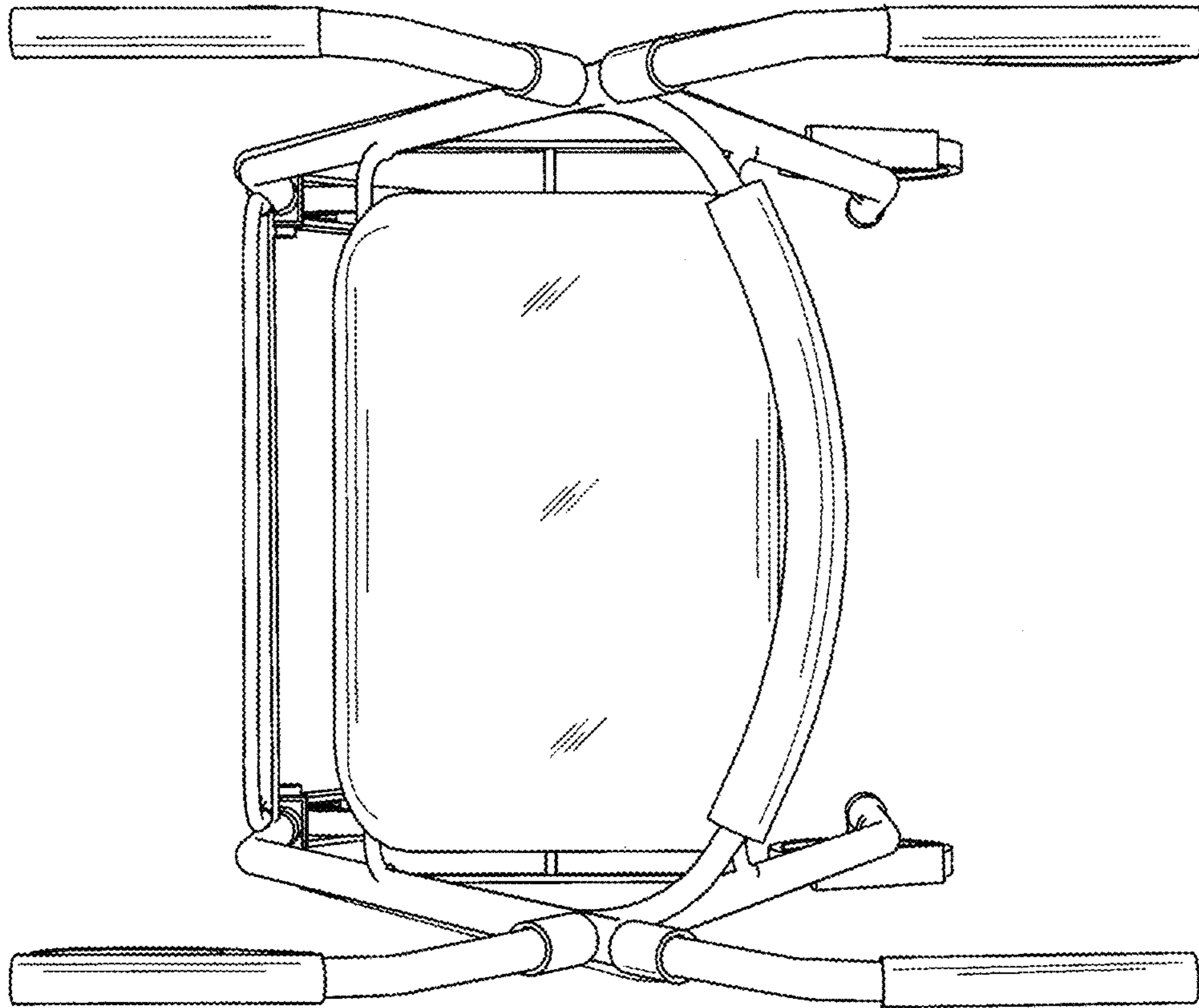


FIG. 4

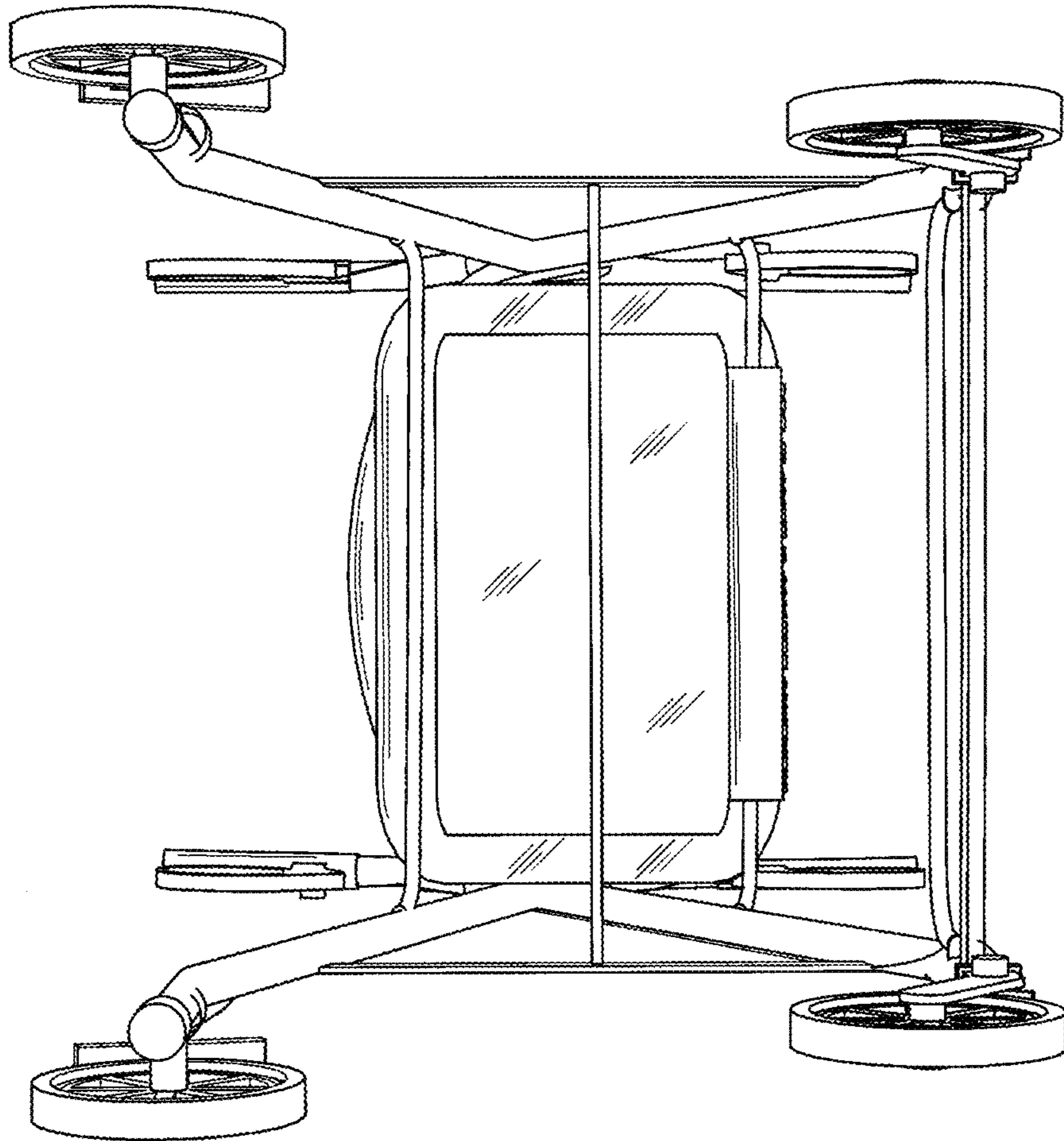


FIG. 5

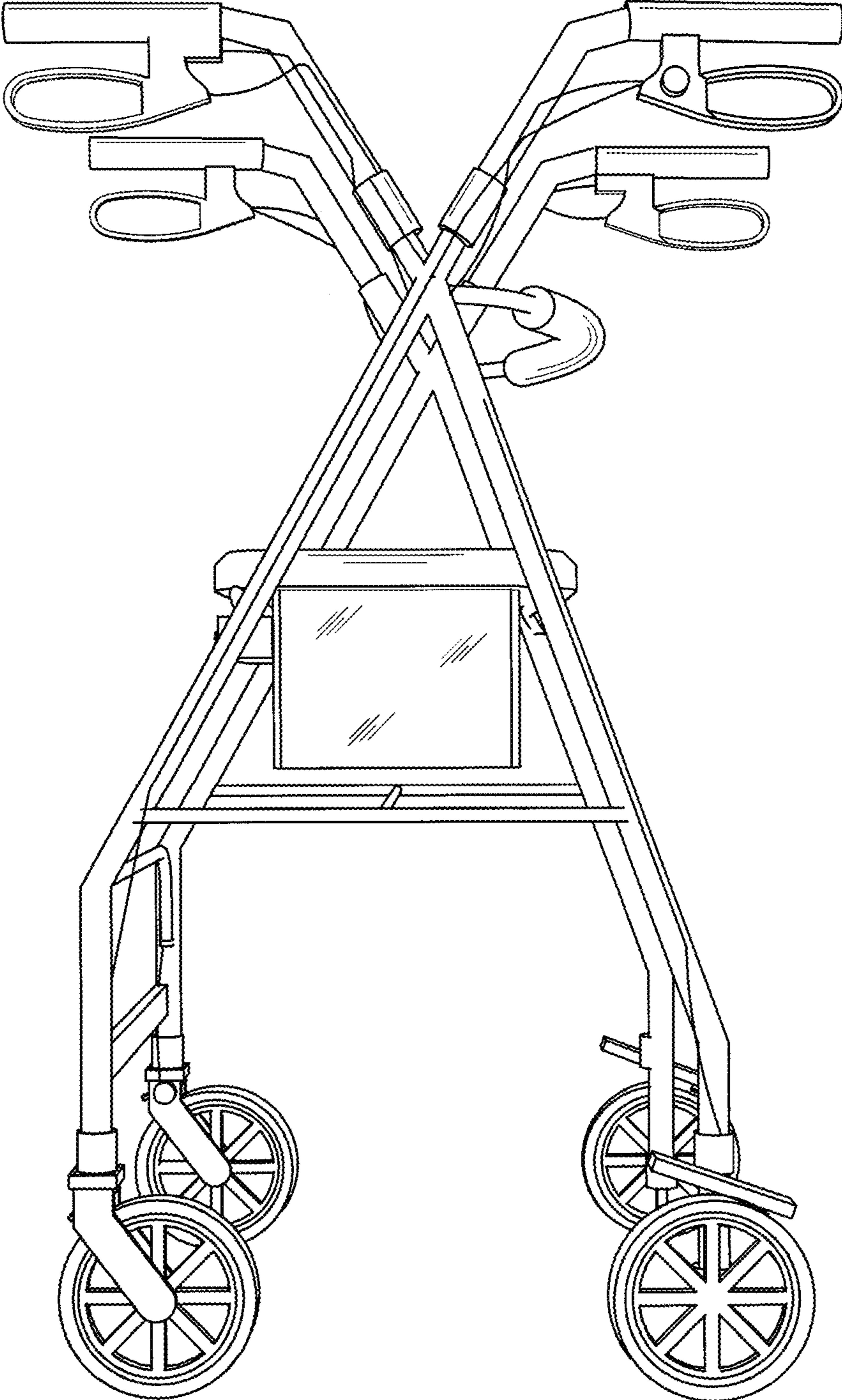


FIG. 6



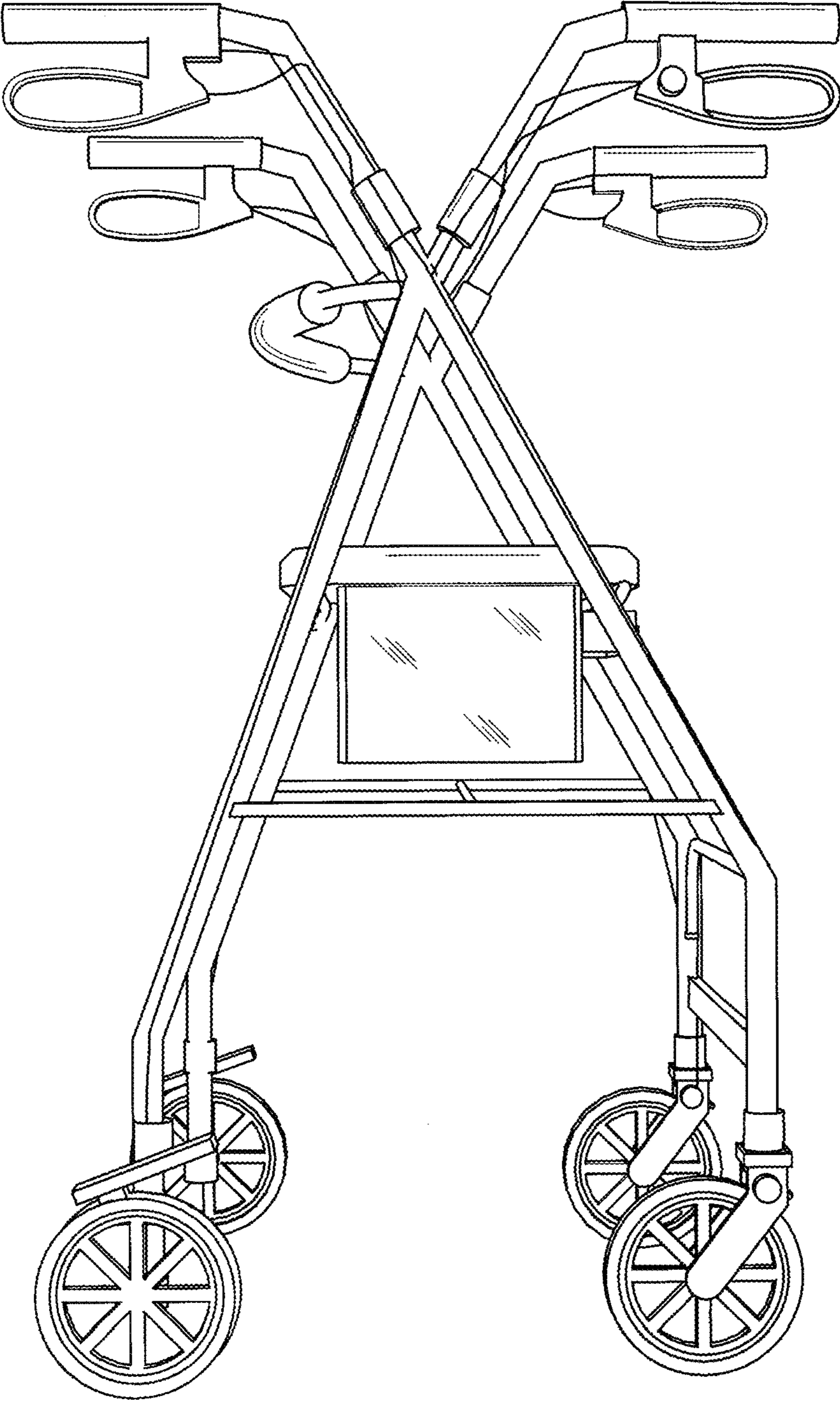


FIG.7