



US00D929909S

(12) **United States Design Patent** (10) **Patent No.:** **US D929,909 S**  
**Chambers et al.** (45) **Date of Patent:** **\*\* Sep. 7, 2021**

(54) **MOTORBIKE FRONT COVER**

- (71) Applicant: **Super73, Inc.**, Irvine, CA (US)
- (72) Inventors: **Ian Chambers**, Irvine, CA (US);  
**Legrand Crewse**, Irvine, CA (US)
- (73) Assignee: **Super 73, Inc.**, Irvine, CA (US)
- (\*\*) Term: **15 Years**
- (21) Appl. No.: **29/722,028**

- (22) Filed: **Jan. 24, 2020**
- (51) **LOC (13) Cl.** ..... **12-11**
- (52) **U.S. Cl.**  
USPC ..... **D12/114**
- (58) **Field of Classification Search**  
USPC ..... D12/107, 110, 114, 126, 182, 186, 218,  
D12/402  
CPC ..... B62K 19/36; B62K 1/005; B62K 1/08;  
B62K 1/00  
See application file for complete search history.

(56) **References Cited**

U.S. PATENT DOCUMENTS

D465,752 S *	11/2002	Kalhok	.....	D12/107
D538,212 S *	3/2007	Shimada	.....	D12/182
D583,737 S *	12/2008	Kitayama	.....	D12/126
D652,772 S *	1/2012	Ishikawa	.....	D12/186
D713,300 S *	9/2014	Tateishi	.....	D12/126
D781,755 S *	3/2017	Watanabe	.....	D12/126
D814,362 S *	4/2018	Mori	.....	D12/114
D829,134 S *	9/2018	Katagiri	.....	D12/126
D862,294 S *	10/2019	McGinley	.....	D12/114
D867,247 S *	11/2019	Li	.....	D12/186
D867,248 S *	11/2019	Li	.....	D12/186
D871,977 S *	1/2020	Rigolio	.....	D12/114

OTHER PUBLICATIONS

“Super73-S1” Electrek., posted date Aug. 7, 2019 [online], [retrieved on May 20, 2021]. Retrieved from the Internet <<https://electrek.co/2019/08/07/super73-s1-review-fast-electric-bike/>> (Year: 2019).\*  
(Continued)

*Primary Examiner* — Darlington Ly  
*Assistant Examiner* — Nasim Abdulaziz Ali  
(74) *Attorney, Agent, or Firm* — Stradling Yocca Carlson & Rauth

(57) **CLAIM**

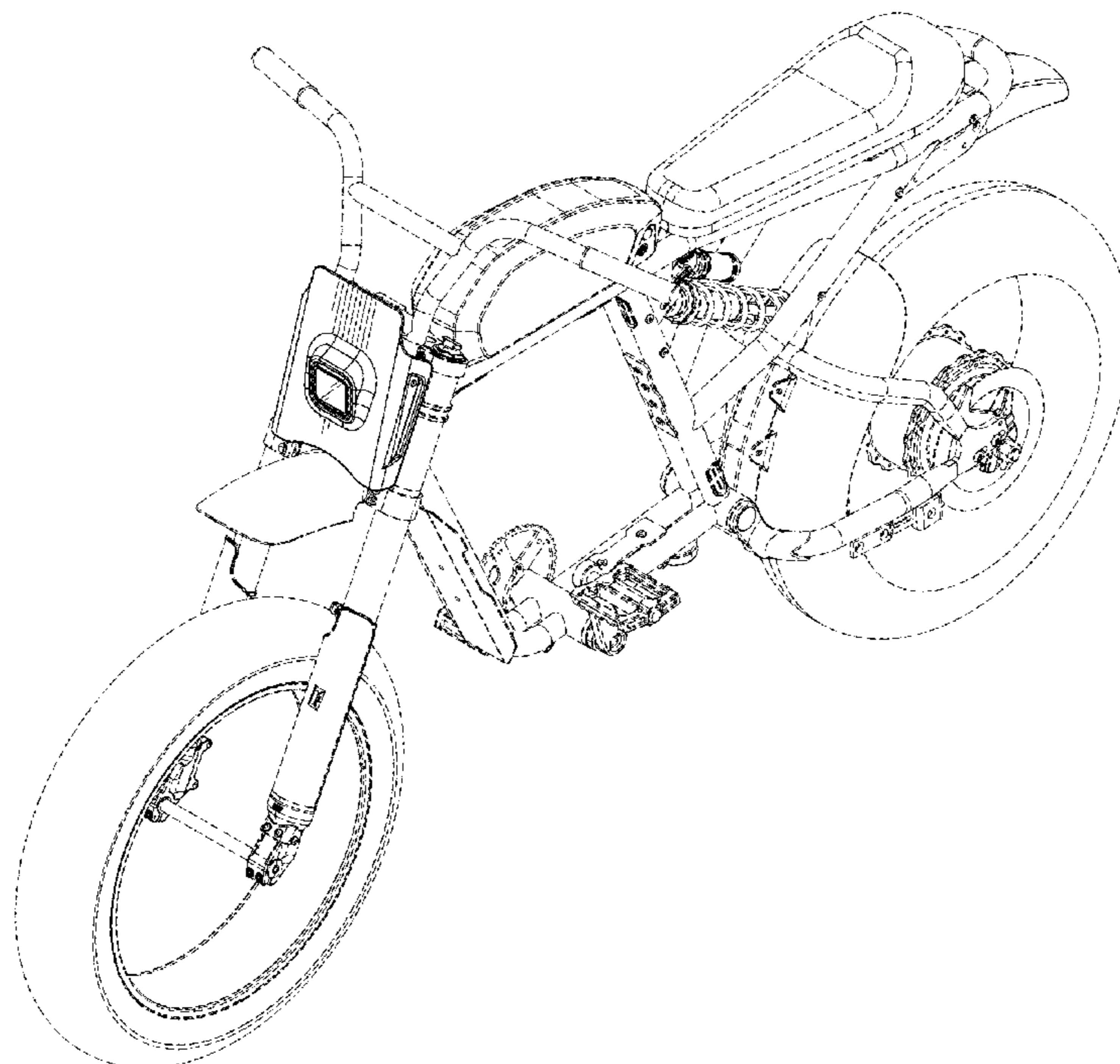
The ornamental design for a motorbike front cover, as shown and described.

**DESCRIPTION**

FIG. 1 is a top, front, and left side perspective view of a motorbike front cover embodying our new design, as installed on an exemplary motorbike;  
FIG. 2 is a top, rear, and right side perspective view thereof, as installed on an exemplary motorbike;  
FIG. 3 is a top, front, and left side perspective view thereof;  
FIG. 4 is a top, rear, and right side perspective view thereof;  
FIG. 5 is a front elevation view thereof;  
FIG. 6 is a rear elevation view thereof;  
FIG. 7 is a right side elevation view thereof;  
FIG. 8 is a left side elevation view thereof;  
FIG. 9 is a top plan view thereof; and,  
FIG. 10 is a bottom plan view thereof.

The broken line showing of portions of the motorbike are provided for the purpose of illustrating environmental structure and form no part of the claimed design.

**1 Claim, 6 Drawing Sheets**



(56)

**References Cited**

OTHER PUBLICATIONS

“Super73 Engineer Custom Electric S-Bike” HypeBeast., posted date Jul. 3, 2020 [online], [retrieved on May 20, 2021]. Retrieved from the Internet <<https://hypebeast.com/2020/7/neighborhood-super-73-custom-s-bike-release>> (Year: 2020).\*

“2-UP Seat” Super73., posted date Nov. 8, 2019 [online], [retrieved on May 20, 2021]. Retrieved from the Internet <<https://super73.com/collections/all-products/products/double-seat>> (Year: 2019).\*

\* cited by examiner

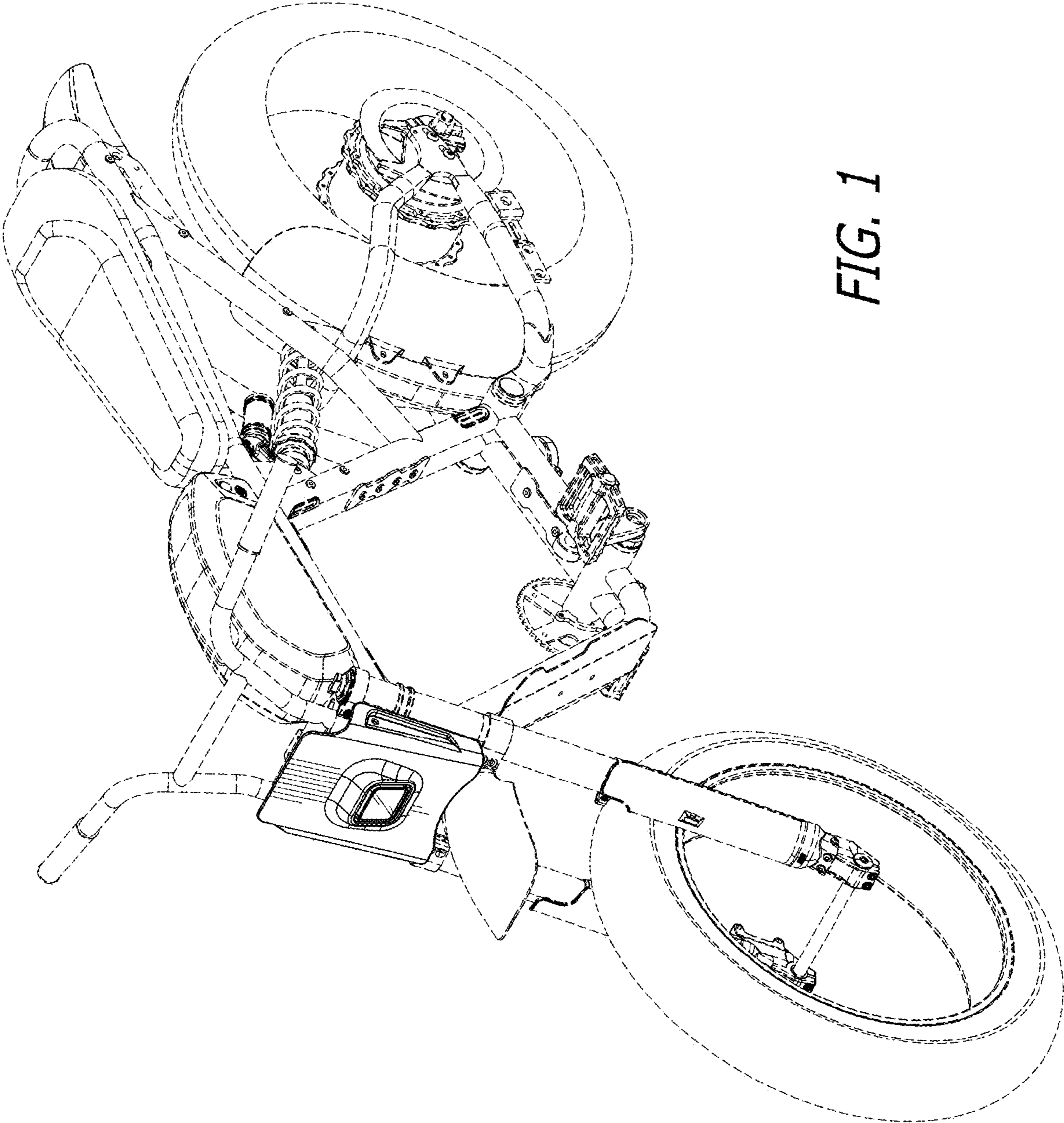
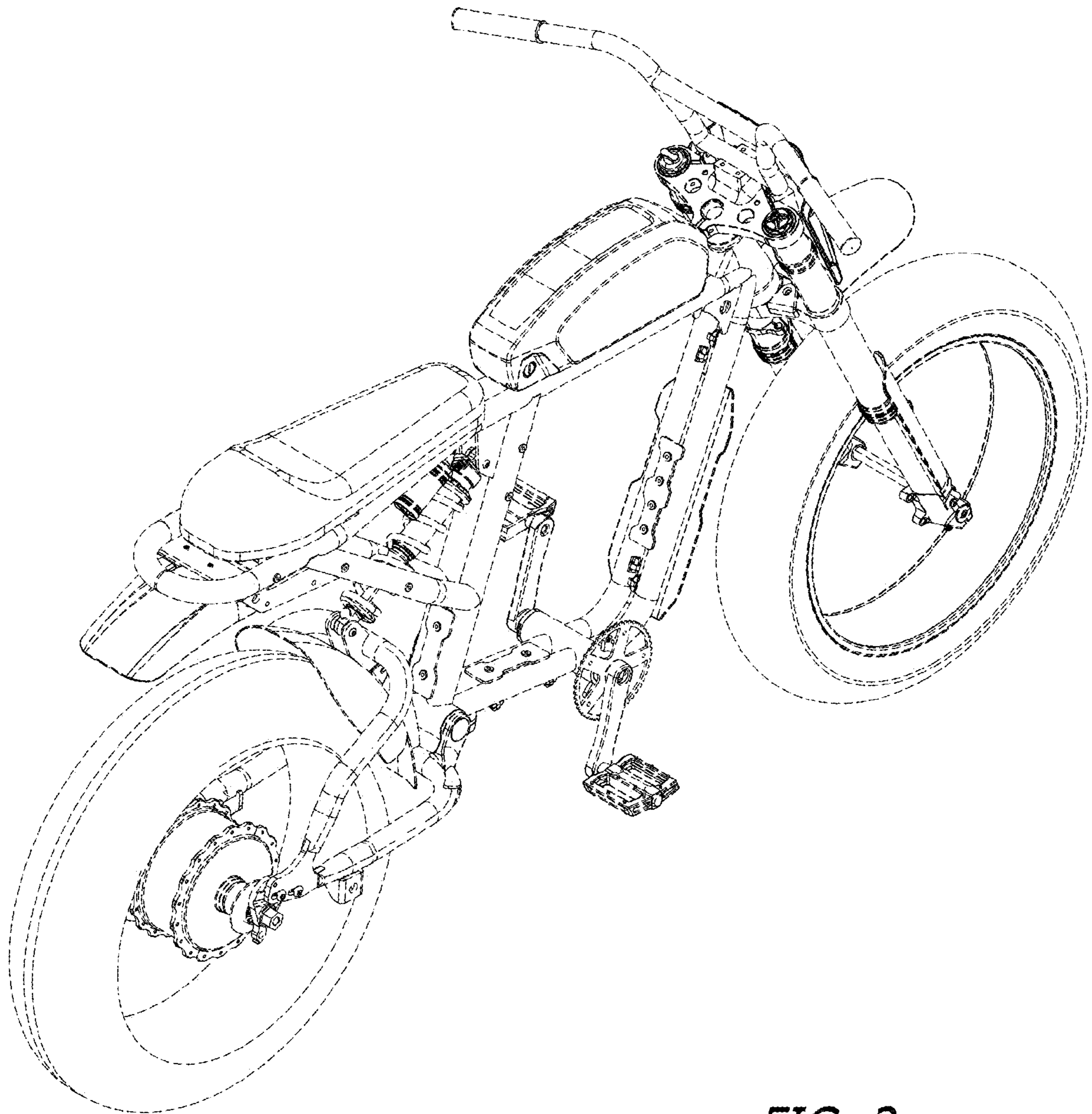
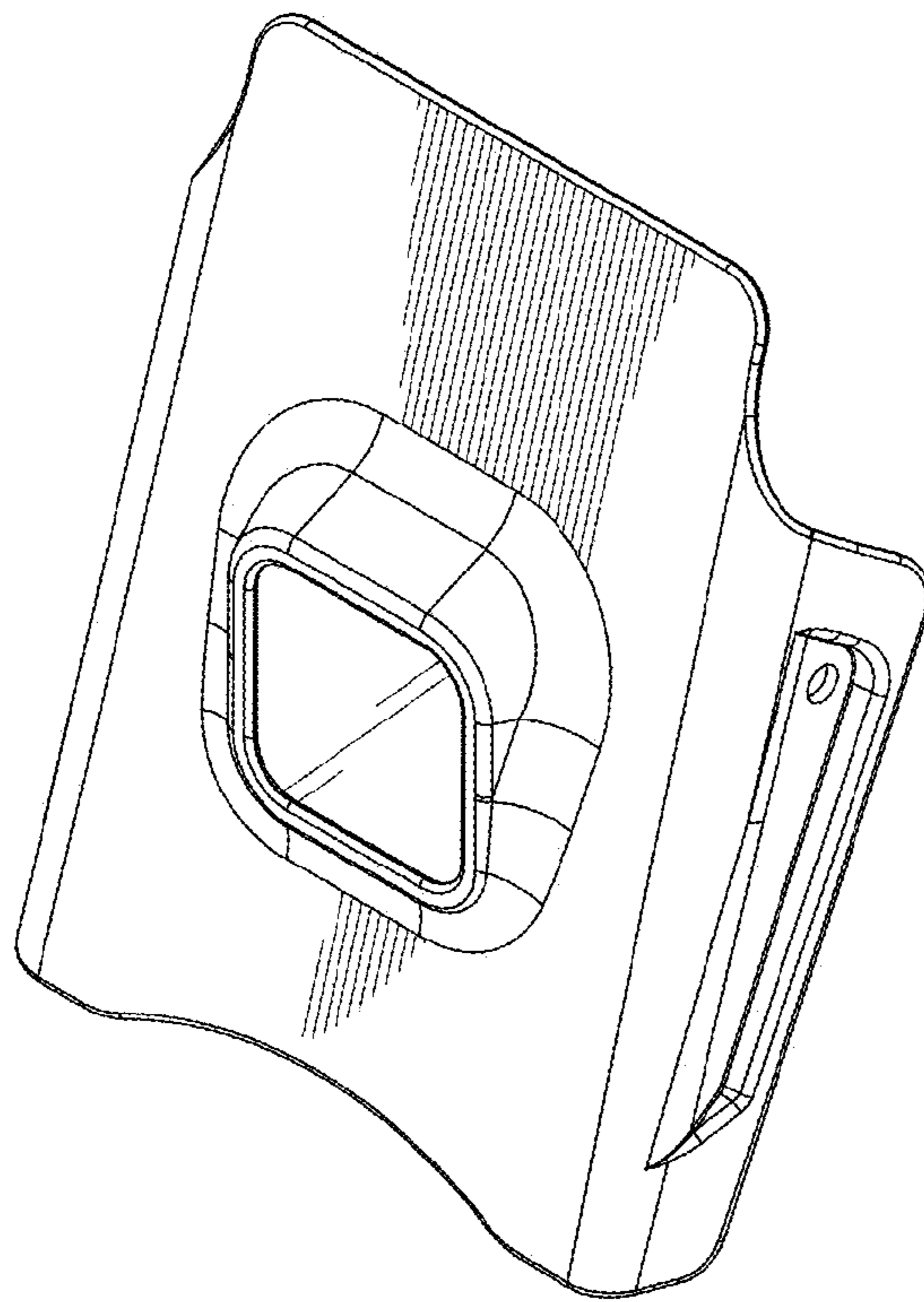


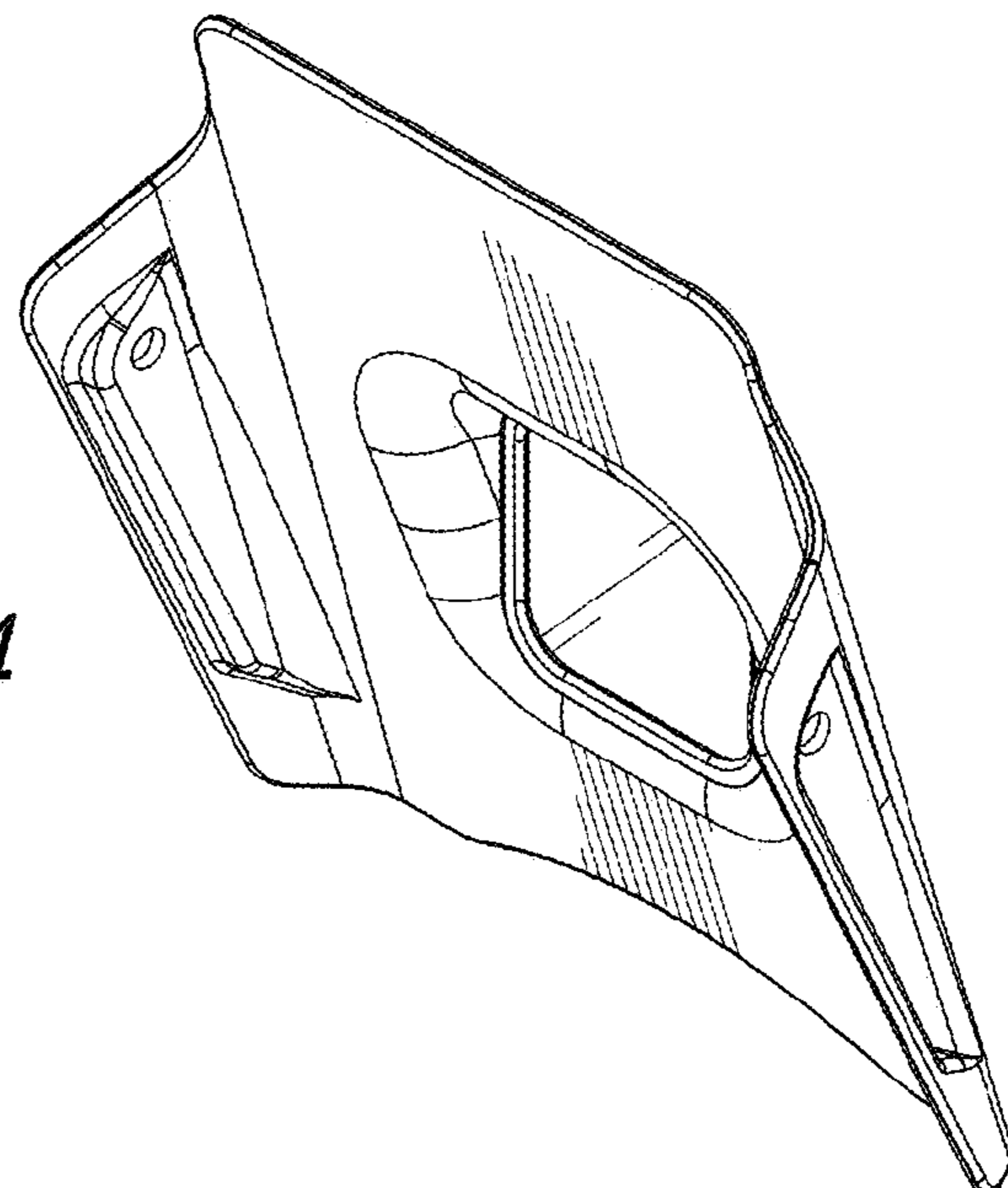
FIG. 1



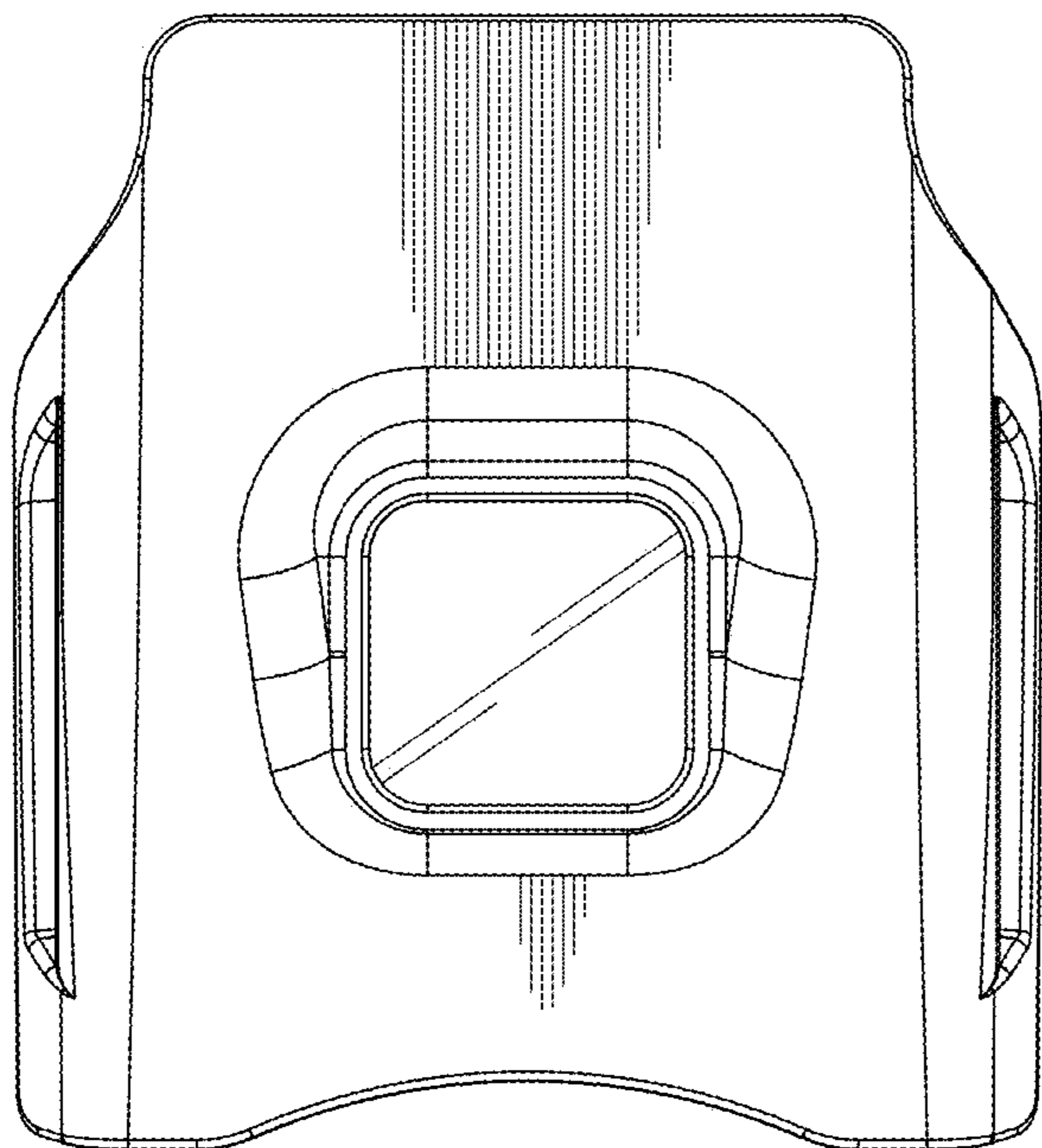
*FIG. 2*



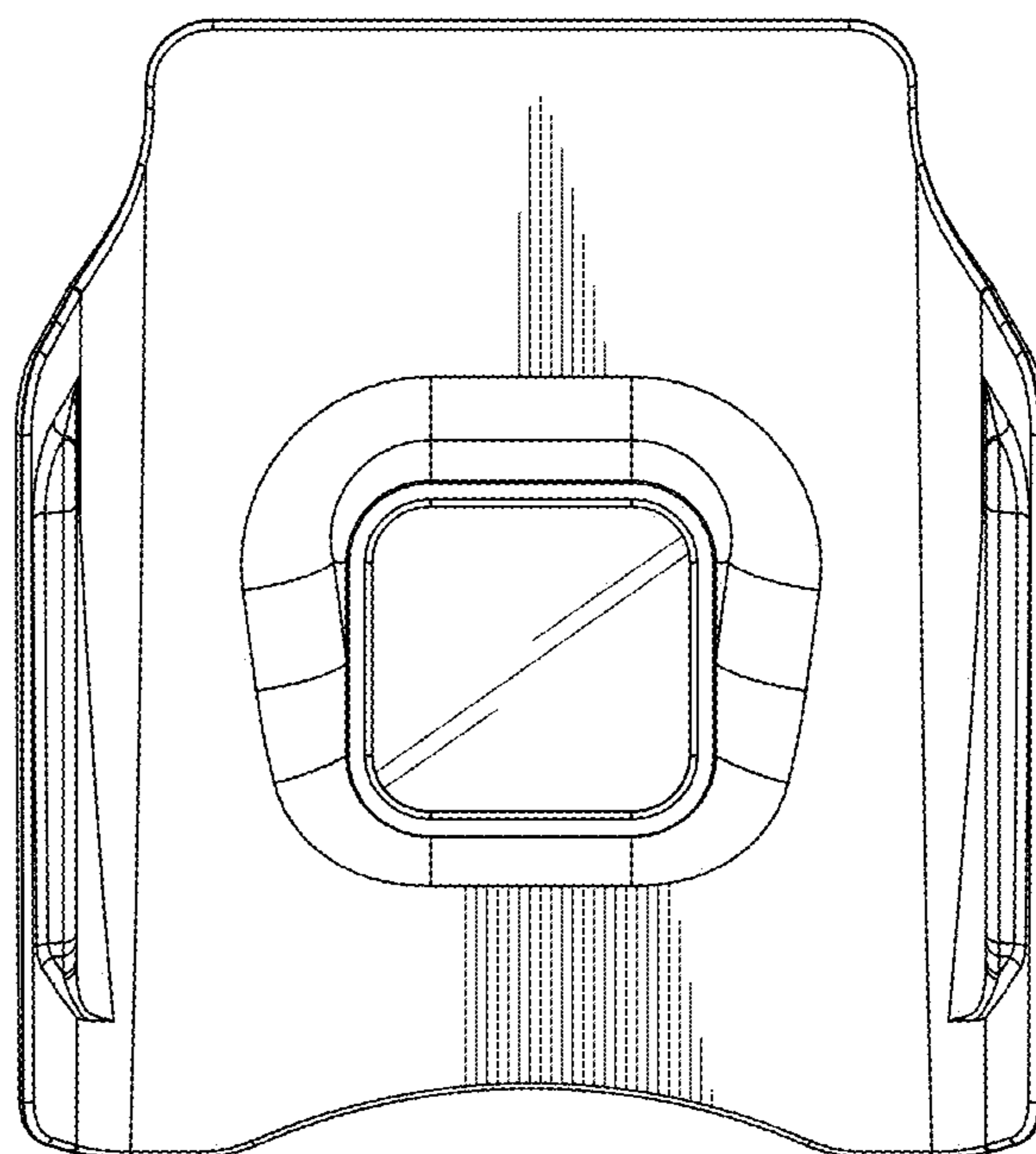
*FIG. 3*



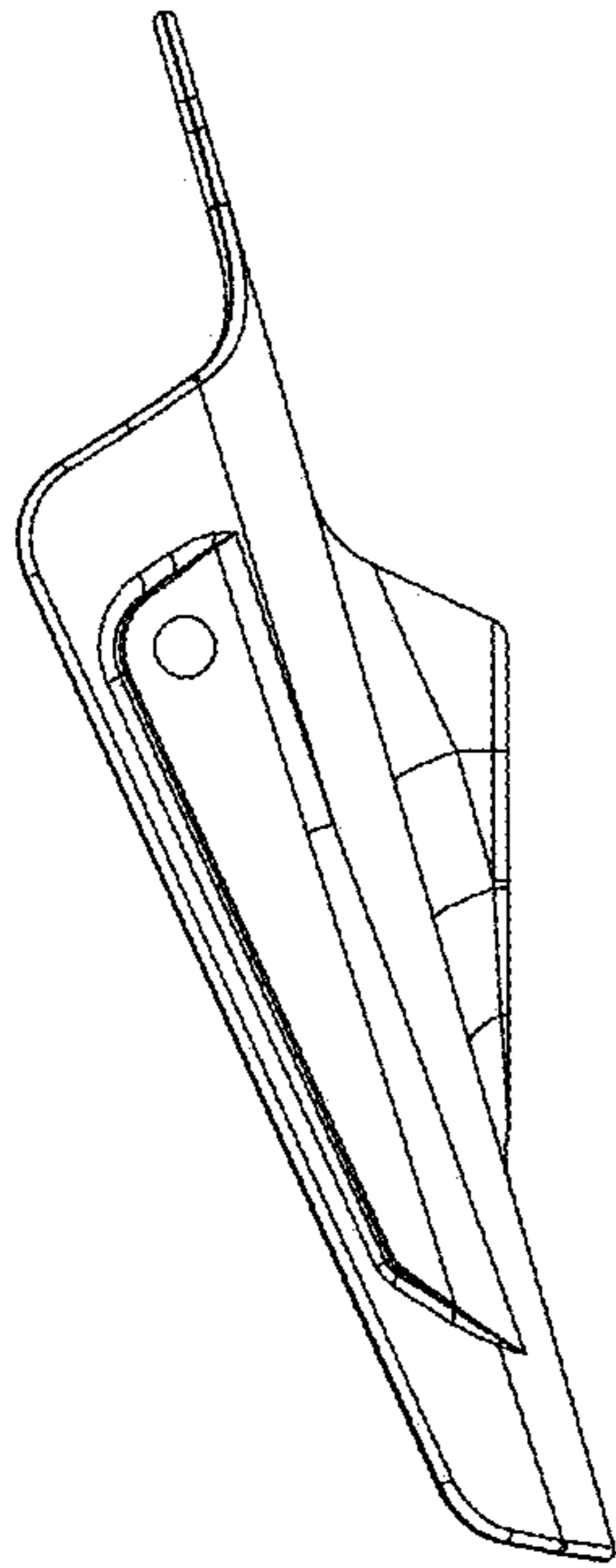
*FIG. 4*



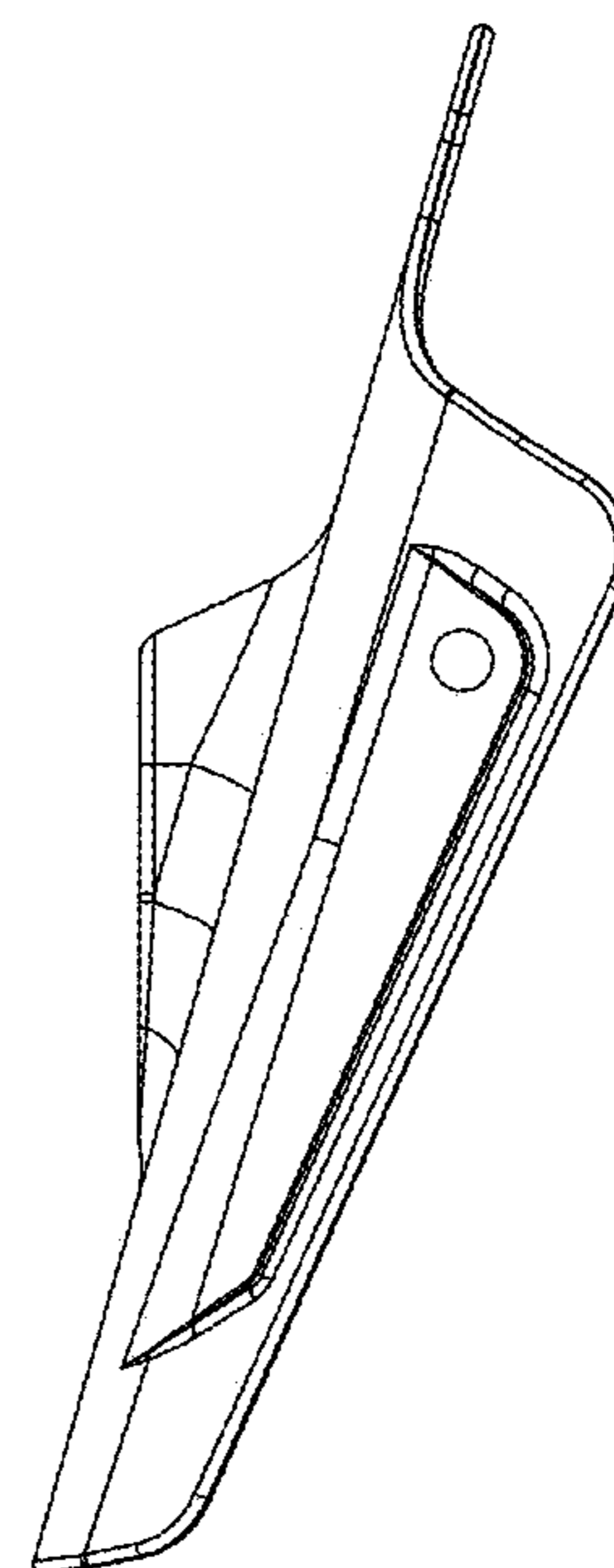
*FIG. 5*



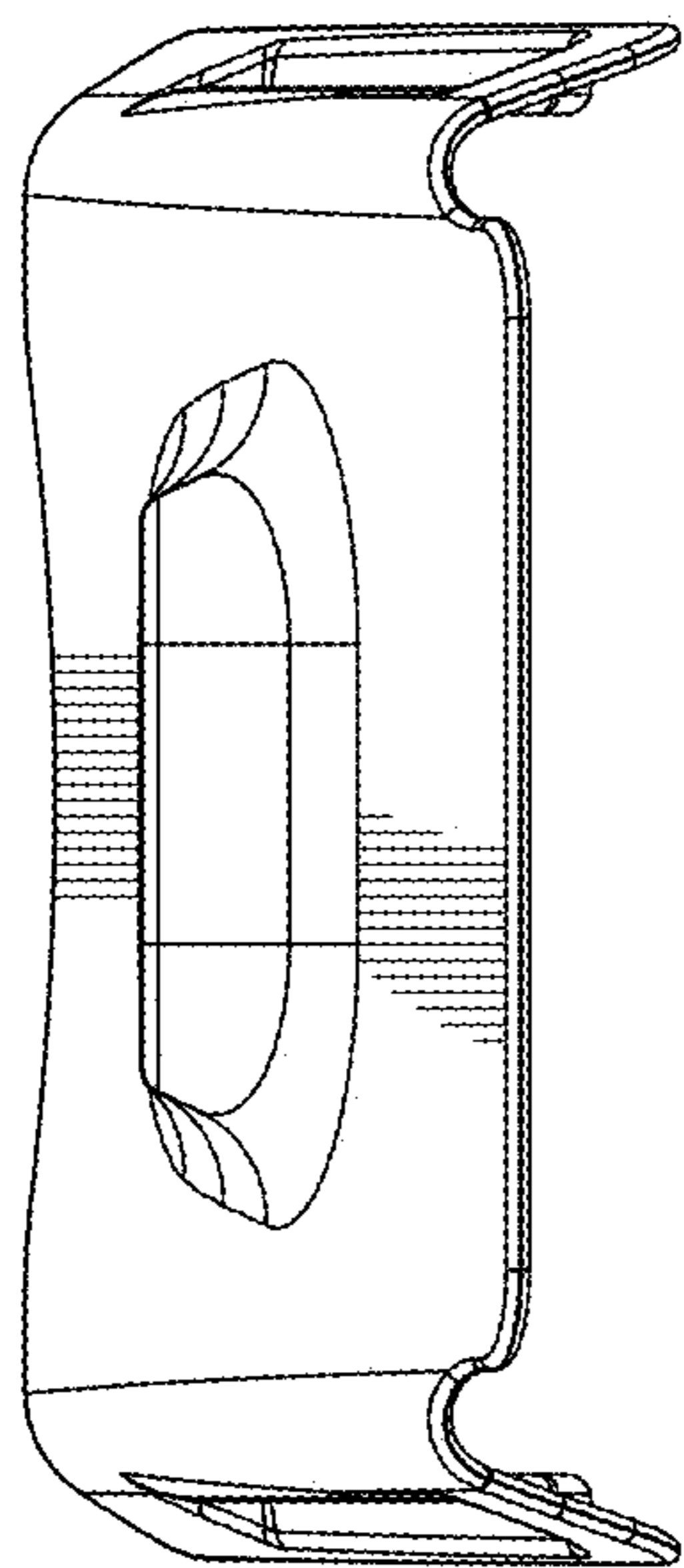
*FIG. 6*



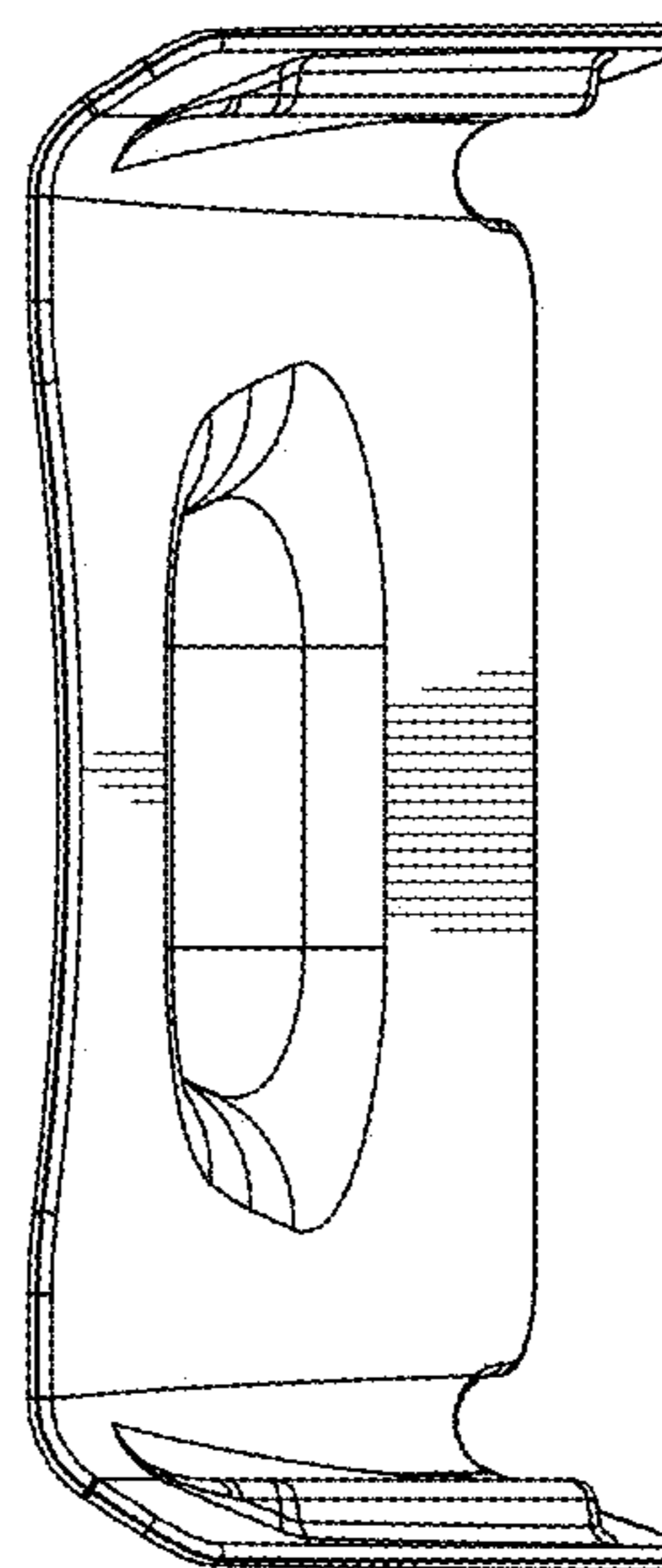
*FIG. 7*



*FIG. 8*



*FIG. 9*



*FIG. 10*