

US00D929906S

(12) **United States Design Patent** (10) **Patent No.:** **US D929,906 S**
Teal (45) **Date of Patent:** **** Sep. 7, 2021**

(54) **STAND UP BICYCLE FRAME**
(71) Applicant: **PT Motion Works, Inc.**, Solana Beach, CA (US)

D548,141 S * 8/2007 Pizzi D12/111
D556,641 S * 12/2007 MacCarrone D12/111
D629,049 S * 12/2010 McFarland B62K 3/10
D21/419

(Continued)

(72) Inventor: **Brent C. Teal**, Solana Beach, CA (US)

FOREIGN PATENT DOCUMENTS

(73) Assignee: **PT Motion Works, Inc.**, Solana Beach, CA (US)

CN 201330600496 * 12/2013
CN 201530344218 * 9/2015

(Continued)

(**) Term: **15 Years**

OTHER PUBLICATIONS

(21) Appl. No.: **29/684,539**

Youtube, Dreamslide—English—Apr. 2010, [online], [visited Jun. 7, 2021]. Internet, <URL: <https://www.youtube.com/watch?v=xlpSvuW54jo>> (Year: 2010).*

(22) Filed: **Mar. 21, 2019**

(51) **LOC (13) Cl.** **12-11**

(52) **U.S. Cl.**
USPC **D12/111**

(58) **Field of Classification Search**
USPC D12/107, 110, 111, 114, 117, 159, 112;
D21/419, 424, 427, 432, 663, 664, 666,
D21/697

CPC . B62K 3/00; B62K 3/005; B62K 3/02; B62K
3/10; B62K 17/00; B62K 19/00; B62K
19/02; B62K 19/06; B62K 19/18; B62K
19/30; B62K 19/20; B62K 19/32; B62K
19/38

See application file for complete search history.

Primary Examiner — Wendy L Arminio

Assistant Examiner — Samantha N Wood

(74) *Attorney, Agent, or Firm* — Procopio, Cory,
Hargreaves & Savitch LLP

(57) **CLAIM**

The ornamental design for a stand up bicycle frame, as shown and described.

DESCRIPTION

FIG. 1 is a rear and left side perspective view of a stand up bicycle frame.

FIG. 2 is a front elevational view of a stand up bicycle frame.

FIG. 3 is a rear elevational view of a stand up bicycle frame.

FIG. 4 is a right side elevational view of a stand up bicycle frame.

FIG. 5 is a left side elevational view of a stand up bicycle frame.

FIG. 6 is a top plan view of a stand up bicycle frame; and,

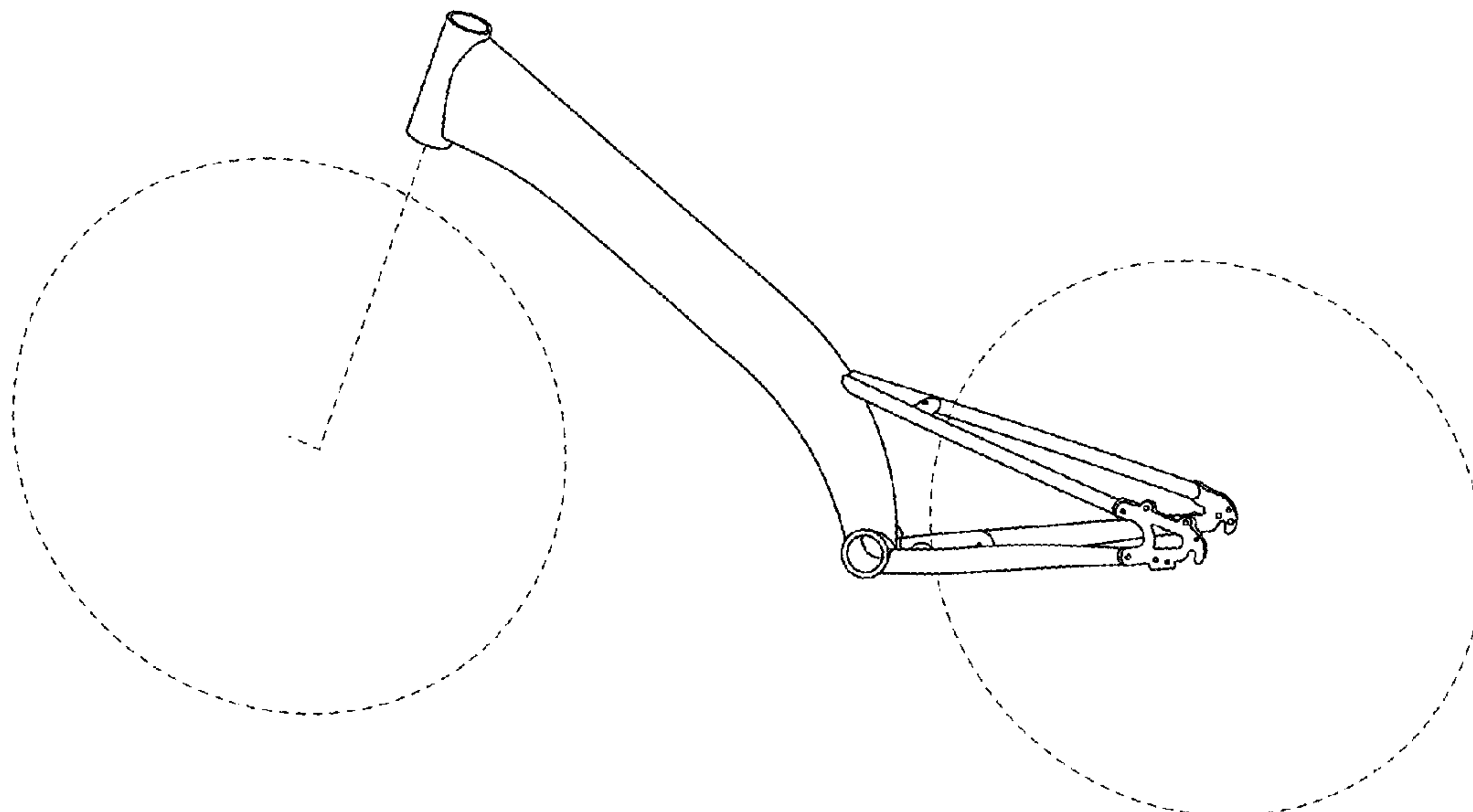
FIG. 7 is a bottom plan view of a stand up bicycle frame. The broken lines are included for the purpose of illustrating environmental structure and form no part of the claimed design.

(56) **References Cited**

U.S. PATENT DOCUMENTS

438,124 A * 10/1890 Warwick B62K 3/005
280/261
D93,155 S * 8/1934 Bullock D12/112
D104,140 S * 4/1937 Henry D12/111
D357,651 S * 4/1995 Isaac D12/111
D434,350 S * 11/2000 Van Der Linden D12/112
D514,032 S * 1/2006 Drew D12/111
D533,811 S * 12/2006 Hoisington D12/111

1 Claim, 3 Drawing Sheets



(56)

References Cited

U.S. PATENT DOCUMENTS

D668,586 S * 10/2012 Golias D12/111
D780,071 S * 2/2017 Teal D12/111
D826,102 S * 8/2018 Lefort D12/111
D828,232 S * 9/2018 Berkes D12/111
2014/0265209 A1* 9/2014 Dodds B62K 3/10
280/219

FOREIGN PATENT DOCUMENTS

DE 102011055748 A1 * 4/2013 B62K 25/005
WO WO-2018035624 A1 * 3/2018 A63B 23/00

* cited by examiner

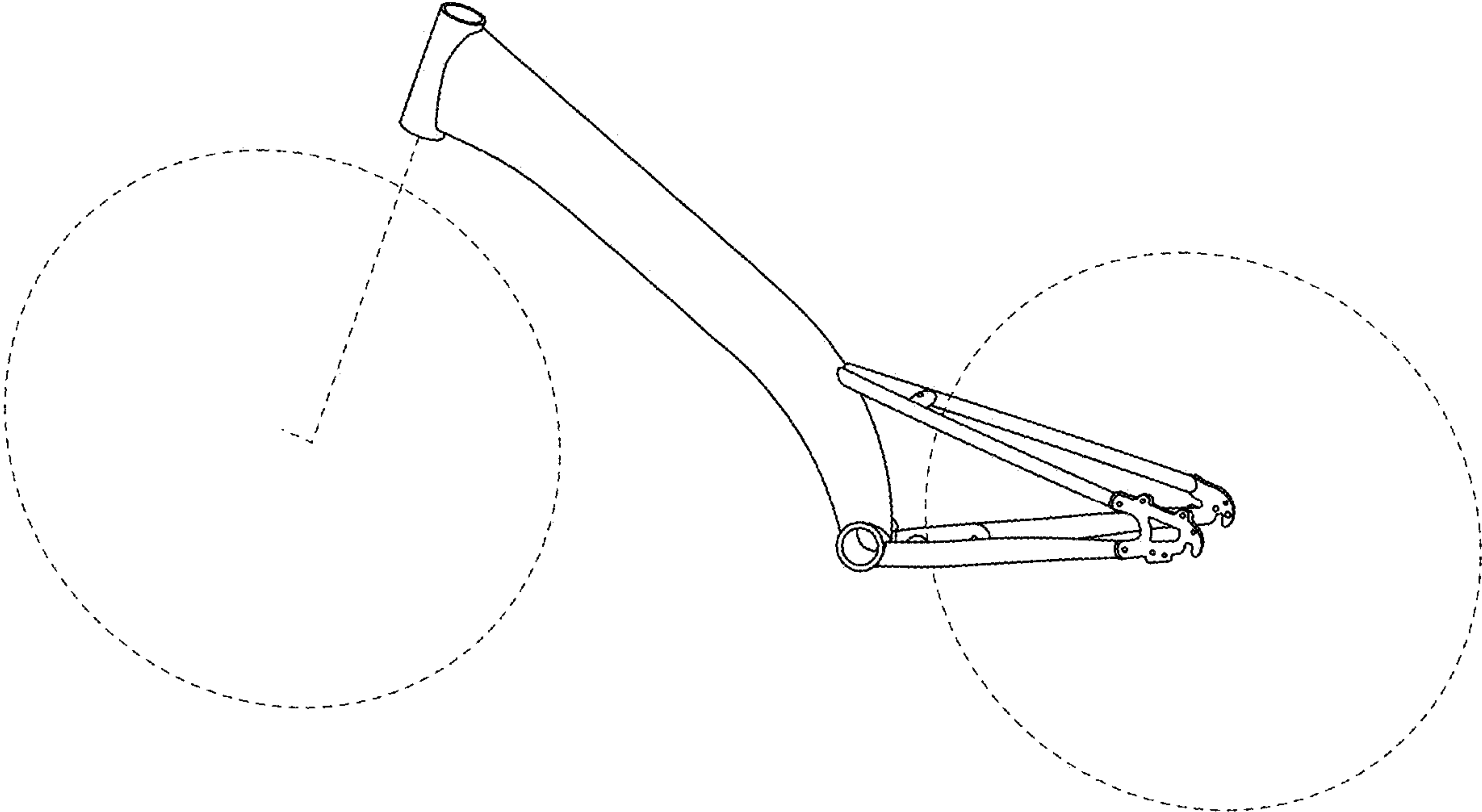


FIG. 1

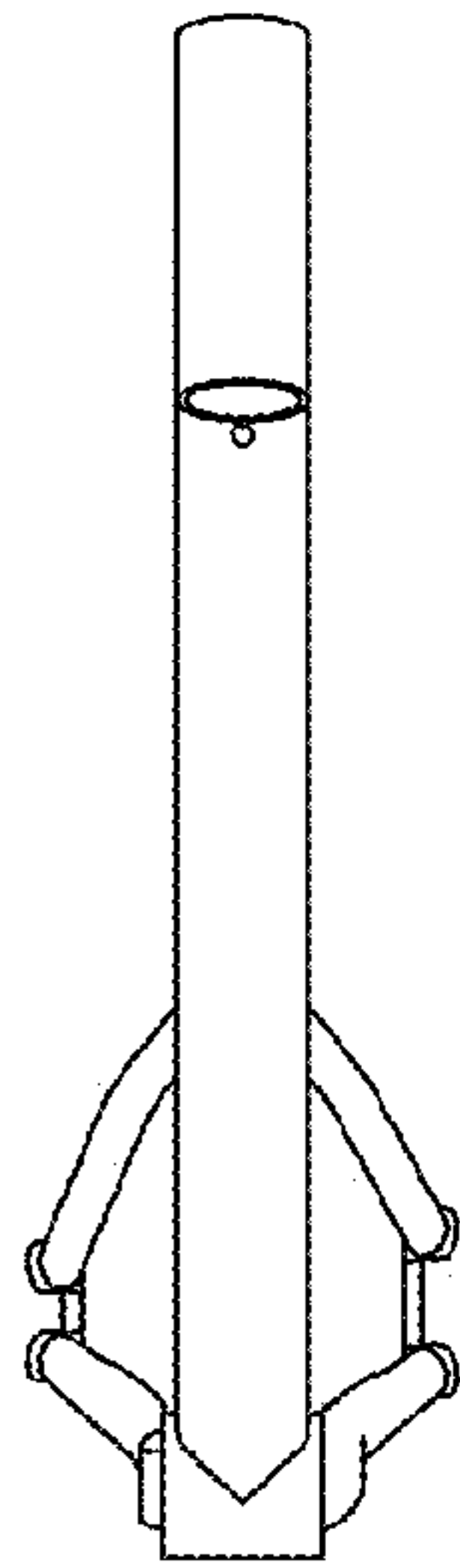


FIG. 2

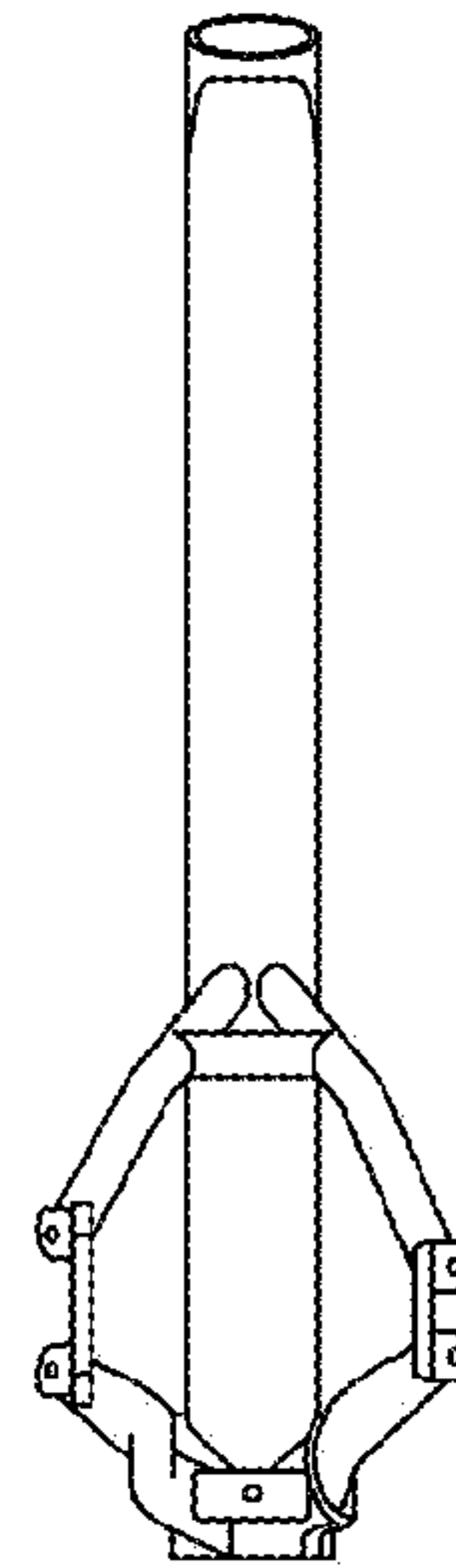


FIG. 3

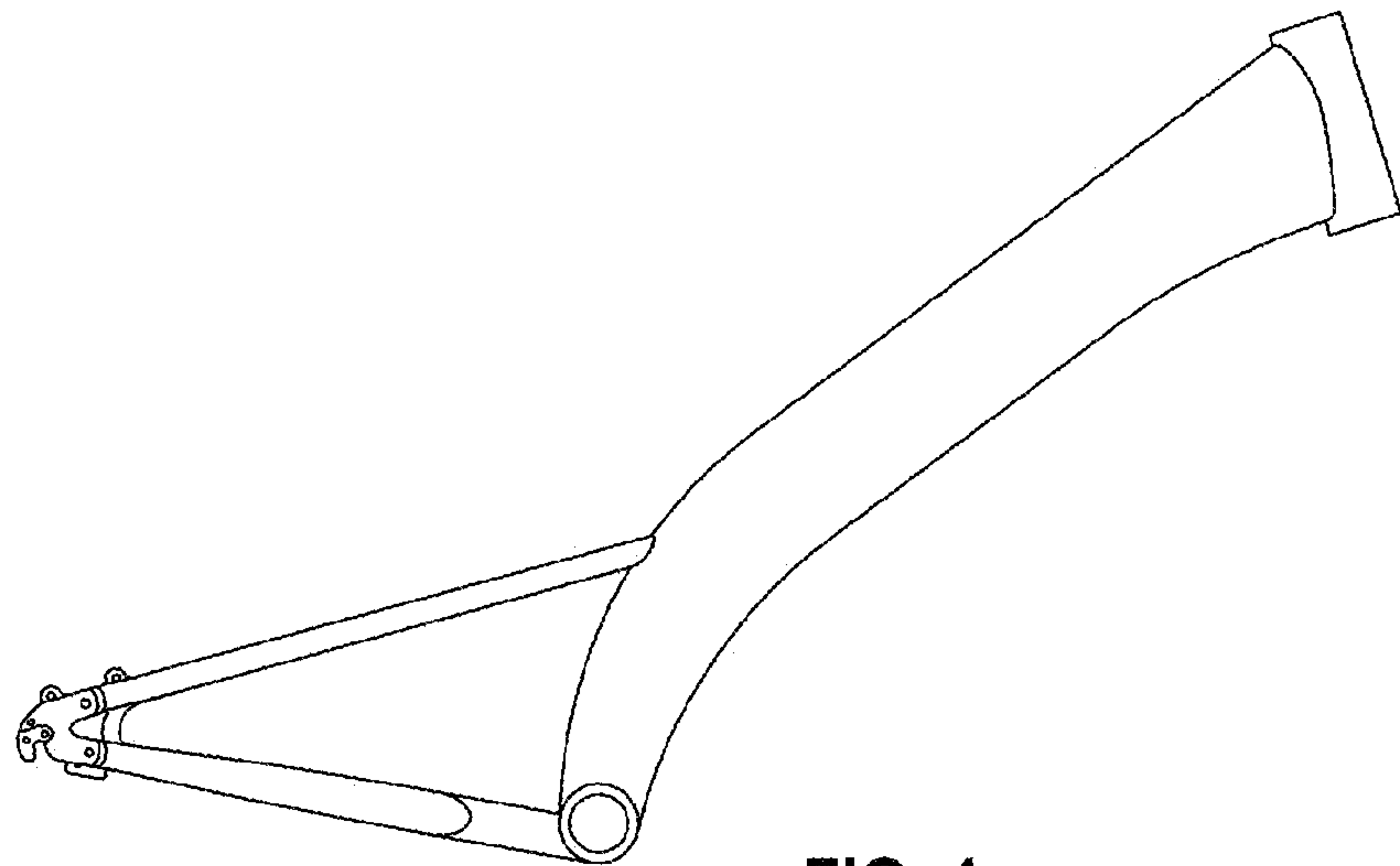


FIG. 4

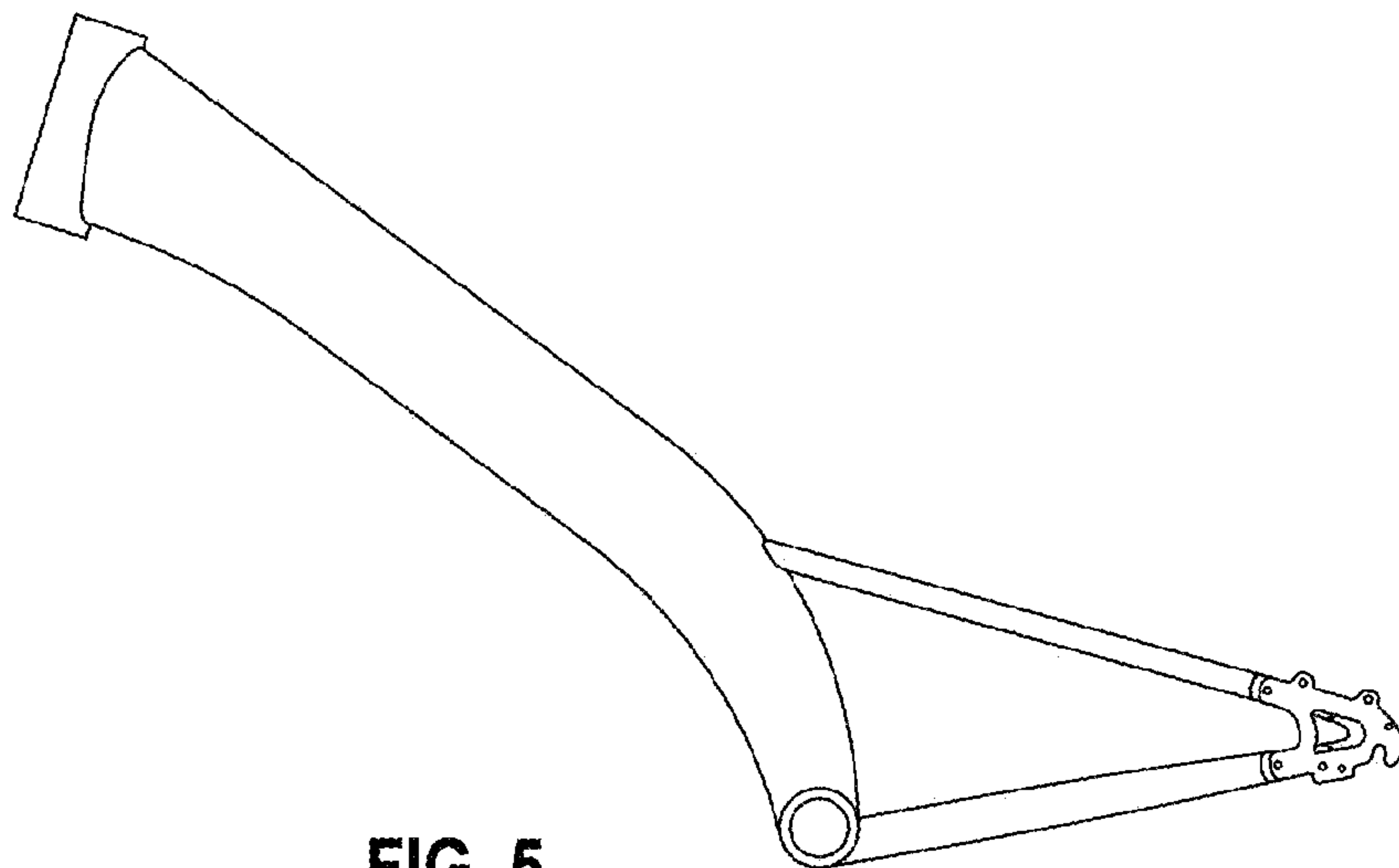


FIG. 5

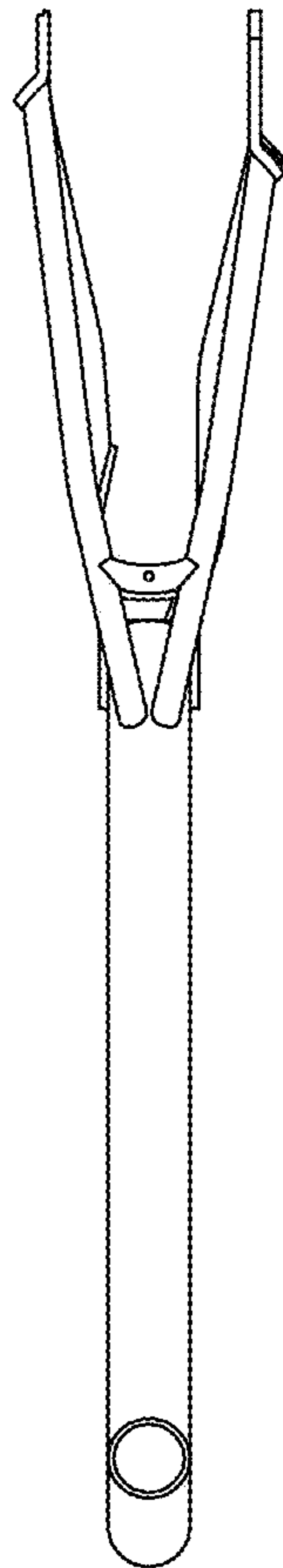


FIG. 6

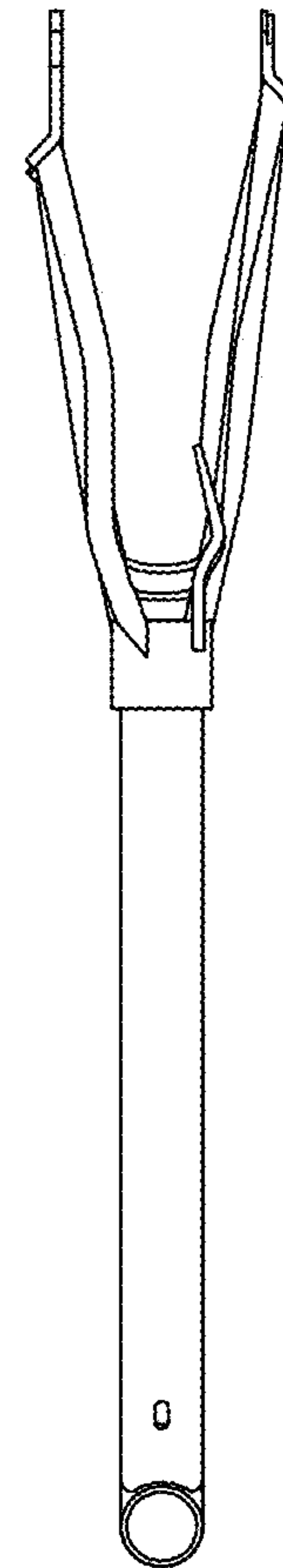


FIG. 7