



US00D929902S

(12) **United States Design Patent** (10) **Patent No.:** **US D929,902 S**  
**Billes et al.** (45) **Date of Patent:** **\*\* Sep. 7, 2021**

(54) **MOTOR VEHICLE AND/OR TOY REPLICA THEREOF**

D835,000 S \* 12/2018 Tomasson ..... D12/91  
D847,026 S \* 4/2019 Lips ..... D12/91  
D911,222 S \* 2/2021 Jung ..... D12/91  
D914,544 S \* 3/2021 Sheffield ..... D12/91

(71) Applicants: **Ken Billes**, Antibes (FR); **Hiroyuki Kobayashi**, Mitaka (JP)

(72) Inventors: **Ken Billes**, Antibes (FR); **Hiroyuki Kobayashi**, Mitaka (JP)

(73) Assignee: **TOYOTA JIDOSHA KABUSHIKI KAISHA**

(\*\*) Term: **15 Years**

(21) Appl. No.: **29/713,601**

(22) Filed: **Nov. 18, 2019**

(30) **Foreign Application Priority Data**

May 20, 2019 (JP) ..... 2019-010883

(51) **LOC (13) Cl.** ..... **12-08**

(52) **U.S. Cl.**  
USPC ..... **D12/91**

(58) **Field of Classification Search**  
USPC ..... D12/86, 90-92, 88, 164; D21/424, 433, D21/434; 296/181.1-181.5, 183.1  
CPC ..... B62D 25/00; B62D 25/06; B62D 33/00; B62D 35/00  
See application file for complete search history.

(56) **References Cited**

**U.S. PATENT DOCUMENTS**

D726,591 S \* 4/2015 Jacob ..... D12/91  
D732,428 S \* 6/2015 Nanba ..... D12/91

**OTHER PUBLICATIONS**

Netcarshow, Toyota Highlander (2017), <<https://www.netcarshow.com/toyota/2017-highlander>>, available as early Apr. 3, 2019.  
Netcarshow, Land Rover Range Rover Velar (2018), <[https://www.netcarshow.com/land\\_rover/2018-range\\_rover\\_velar/](https://www.netcarshow.com/land_rover/2018-range_rover_velar/)>, available as early as Apr. 3, 2019.

\* cited by examiner

*Primary Examiner* — Melody N Brown

(74) *Attorney, Agent, or Firm* — Saidman DesignLaw Group, LLC

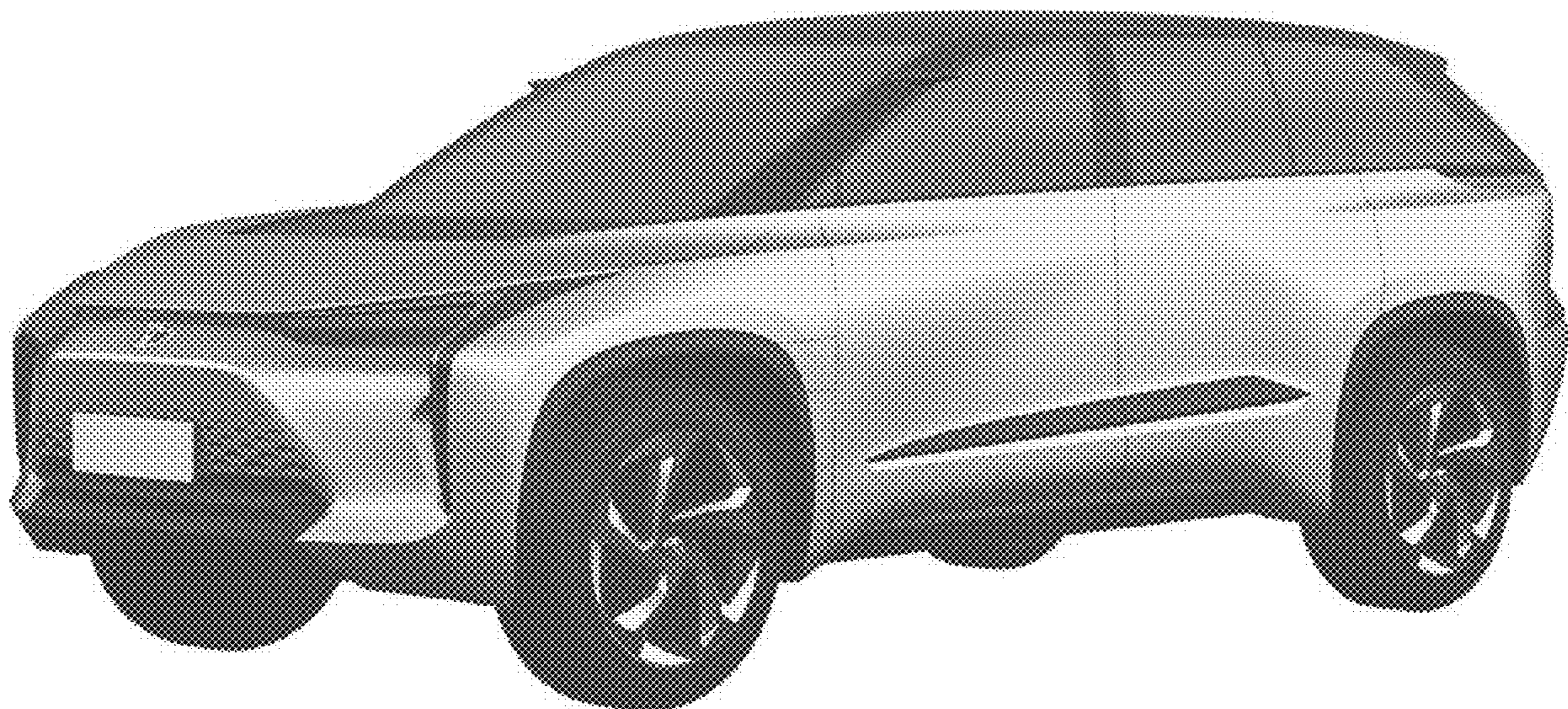
(57) **CLAIM**

The ornamental design for a motor vehicle and/or toy replica thereof, as shown and described.

**DESCRIPTION**

FIG. 1 is a left, front perspective view of a motor vehicle and/or toy replica thereof showing our new design; FIG. 2 is a left, rear perspective view thereof; FIG. 3 is a left side view thereof; FIG. 4 is a right side view thereof; FIG. 5 is a front view thereof; FIG. 6 is a rear view thereof; and, FIG. 7 is a top view thereof.

**1 Claim, 7 Drawing Sheets**



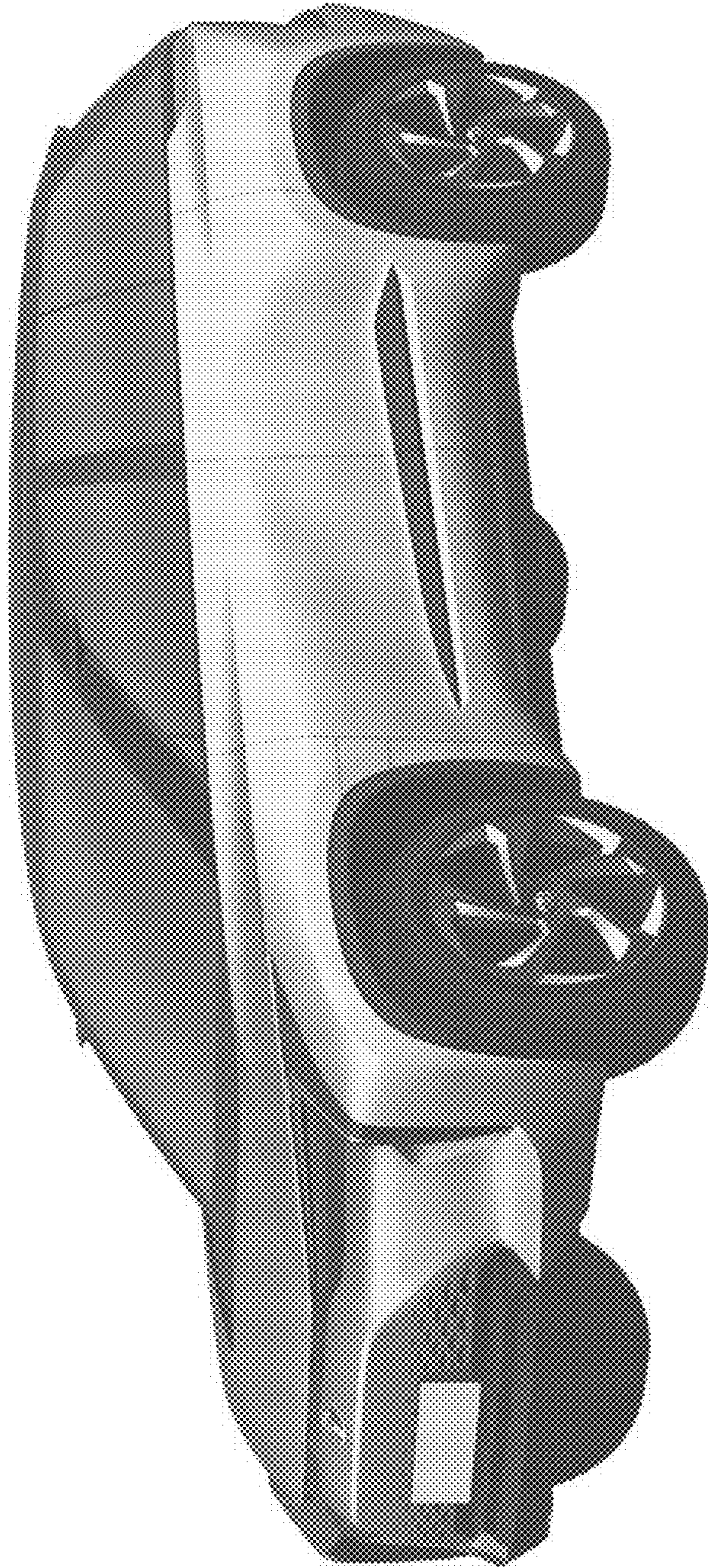


FIG. 1

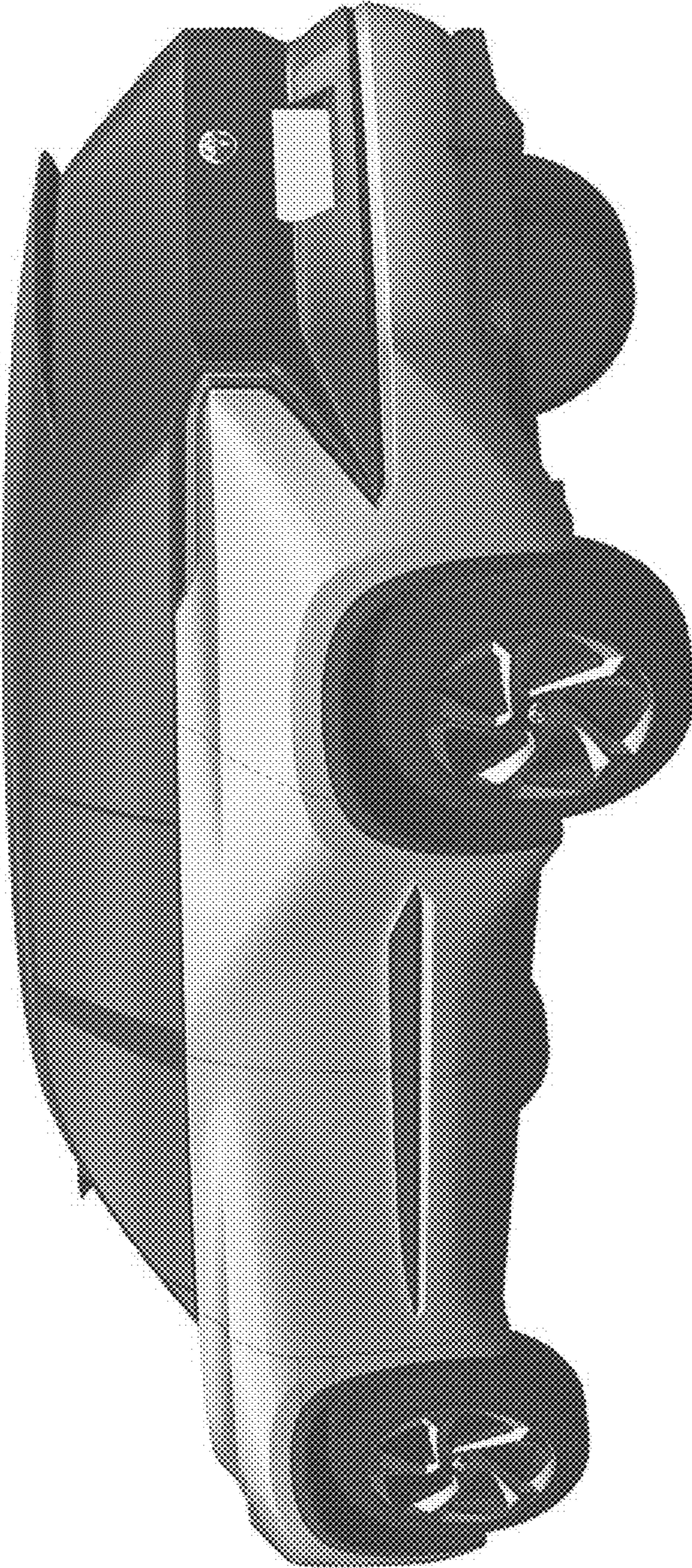


FIG. 2

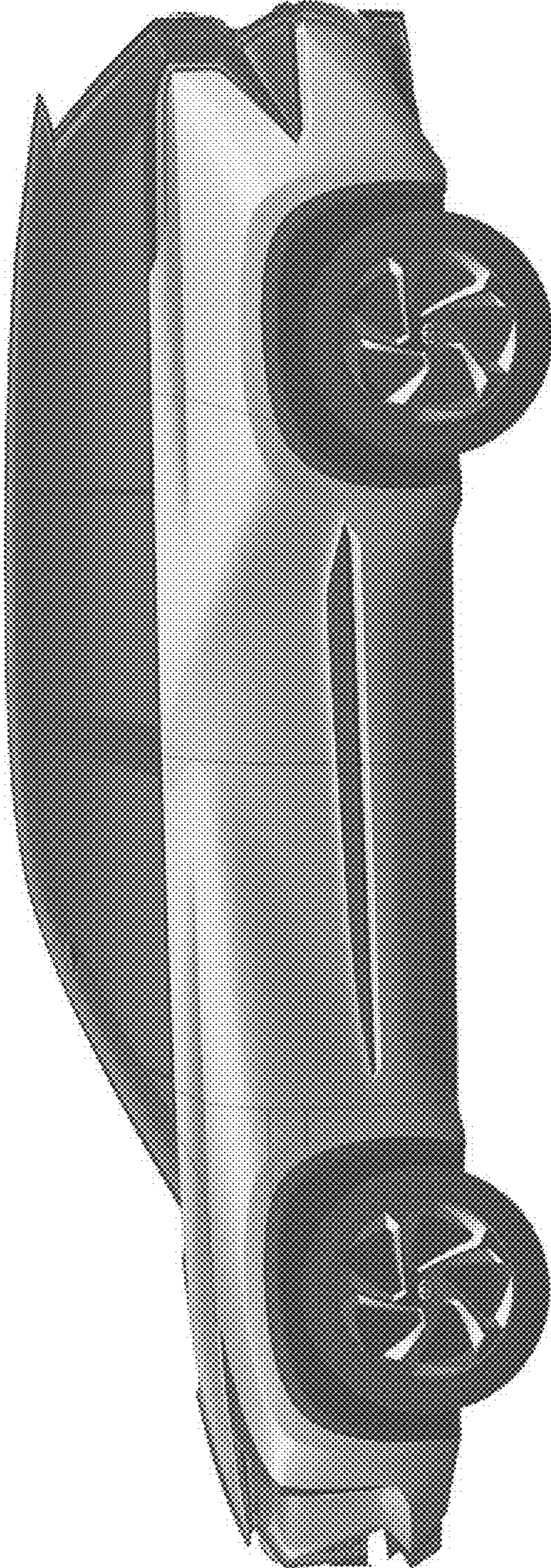


FIG. 3

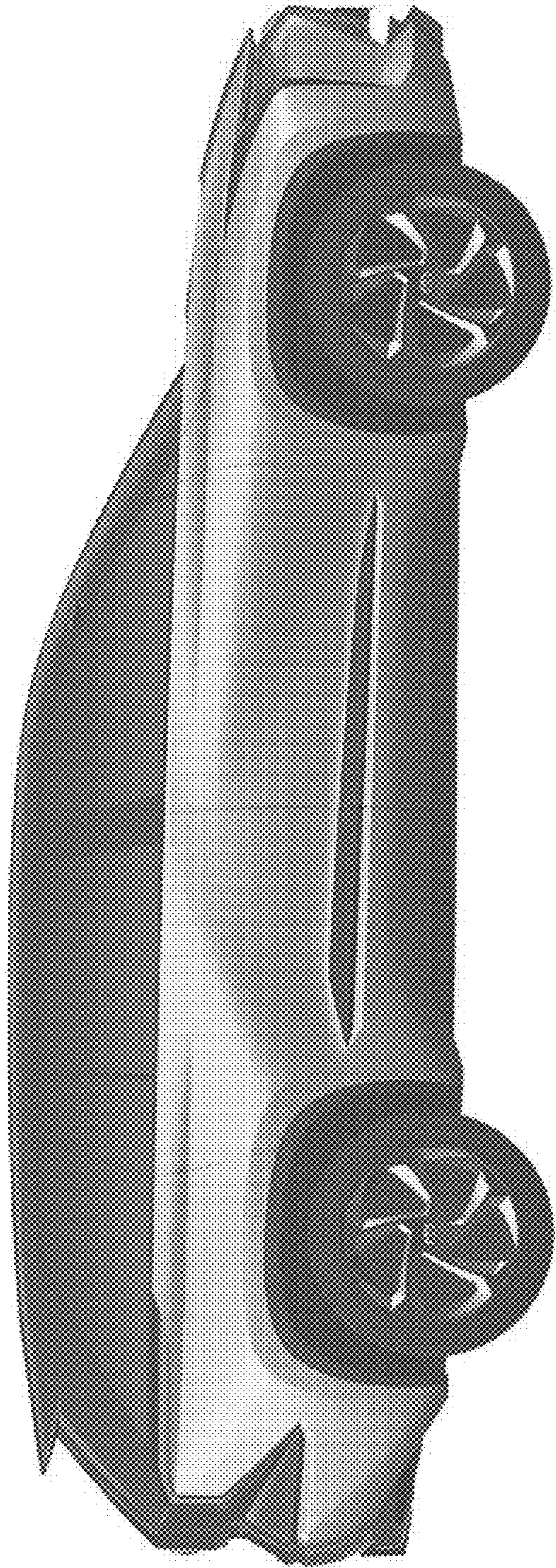


FIG. 4

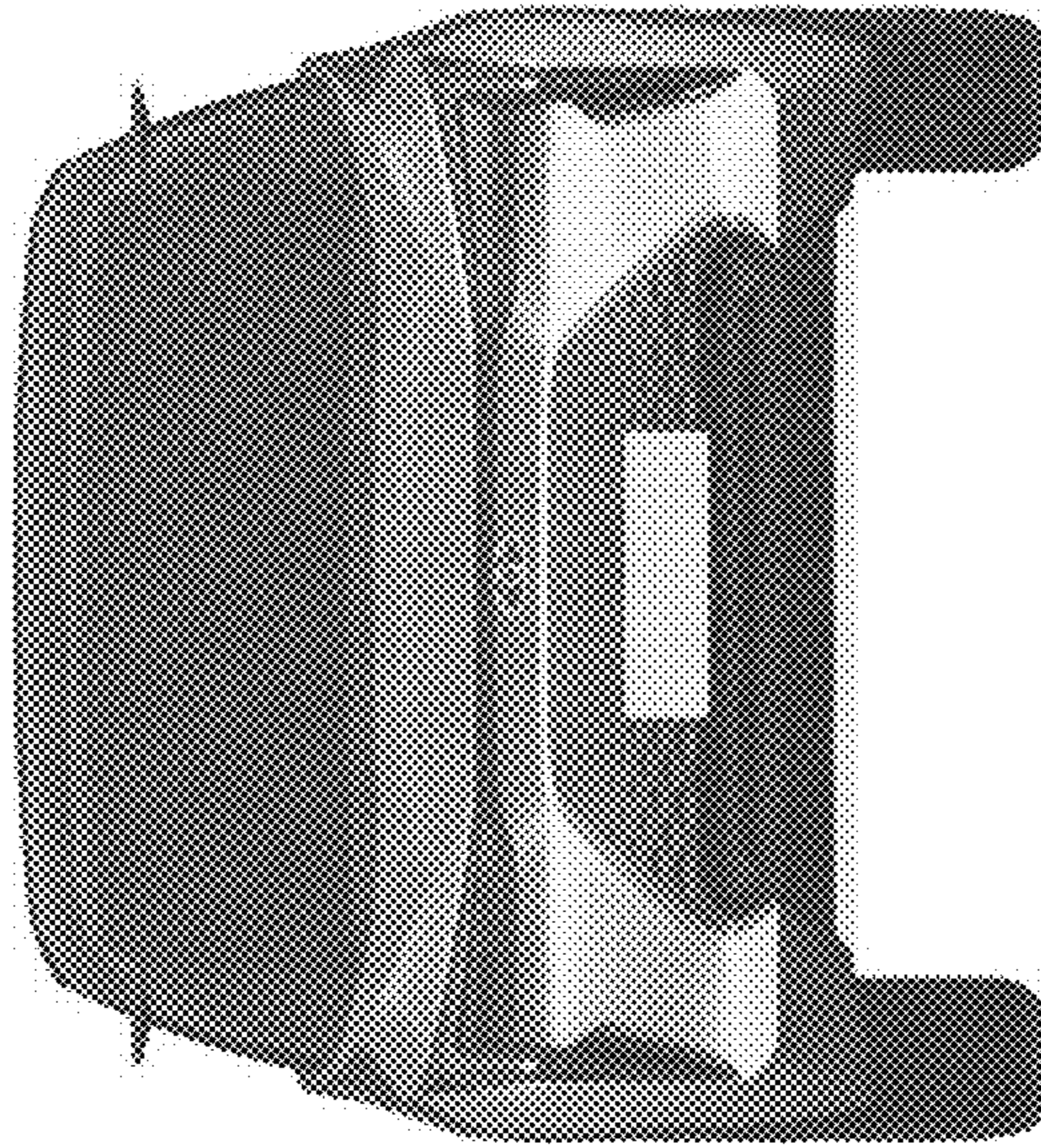


FIG. 5

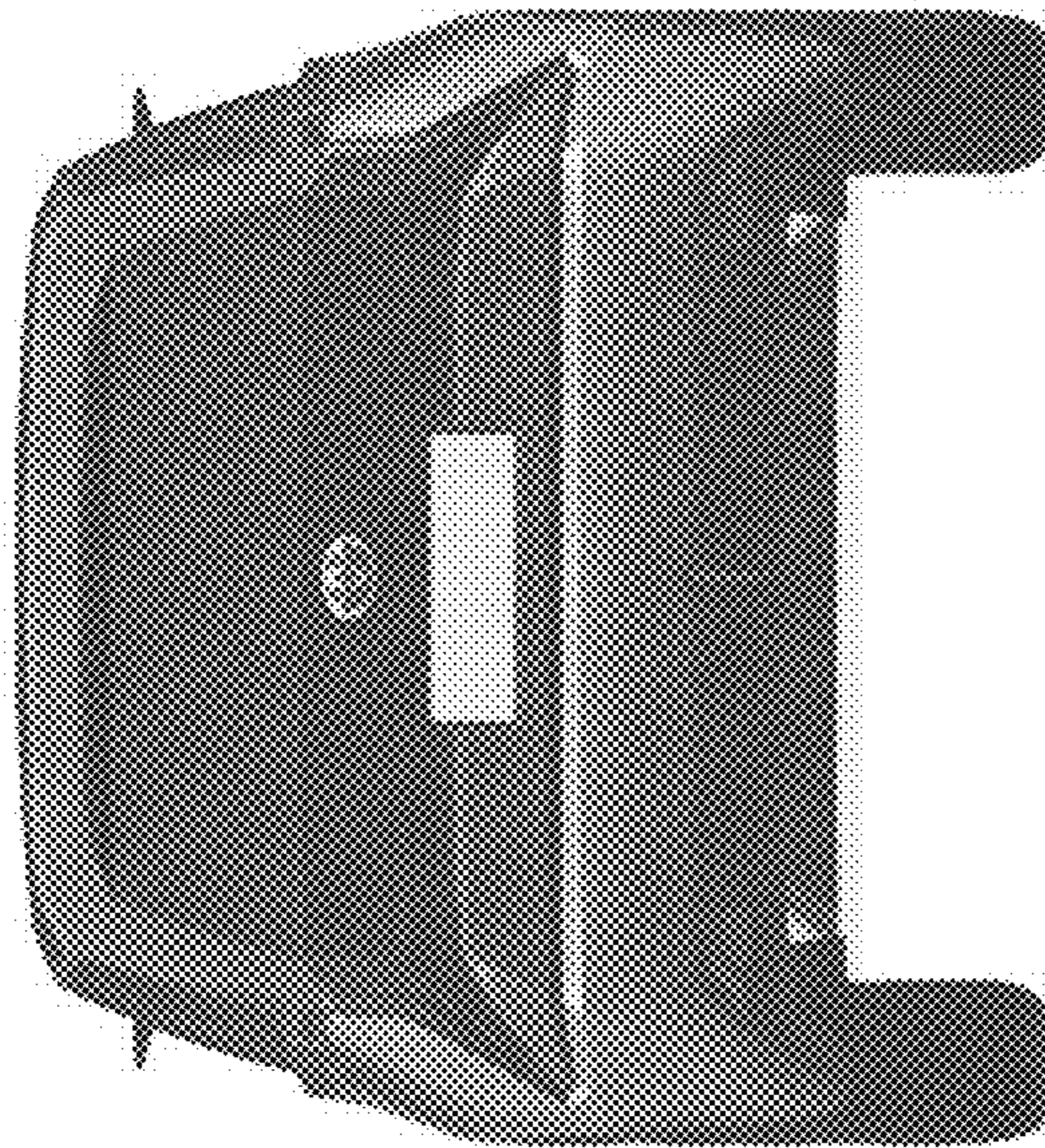


FIG. 6



FIG. 7