



US00D929901S

(12) **United States Design Patent**  
**Sonoda et al.**

(10) **Patent No.:** **US D929,901 S**  
(45) **Date of Patent:** **\*\* Sep. 7, 2021**

(54) **MOTOR VEHICLE AND/OR TOY REPLICA THEREOF**

D835,000 S \* 12/2018 Tomasson ..... D12/91  
D847,026 S \* 4/2019 Lips ..... D12/91  
D911,222 S \* 2/2021 Jung ..... D12/91  
D914,544 S \* 3/2021 Sheffield ..... D12/91

(71) Applicants: **Tatsuya Sonoda**, Mouans-Sartoux (FR);  
**Yang Liu**, Shanghai (CN); **Gang Xiang**, Shanghai (CN)

**OTHER PUBLICATIONS**

(72) Inventors: **Tatsuya Sonoda**, Mouans-Sartoux (FR);  
**Yang Liu**, Shanghai (CN); **Gang Xiang**, Shanghai (CN)

Toyota, Toyota Aqua Crossover (2019), <https://toyota.jp/aqua/>, available as early as May 10, 2019.  
Netcarshow, Renault Captur (2018), <https://www.netcarshow.com/renault/2018-captor/>, available as early as Apr. 3, 2019.

(73) Assignee: **TOYOTA JIDOSHA KABUSHIKI KAISHA**

\* cited by examiner

(\*\*) Term: **15 Years**

*Primary Examiner* — Melody N Brown

(21) Appl. No.: **29/713,600**

(74) *Attorney, Agent, or Firm* — Saidman DesignLaw Group, LLC

(22) Filed: **Nov. 18, 2019**

(30) **Foreign Application Priority Data**

(57) **CLAIM**

May 20, 2019 (JP) ..... 2019-010885

The ornamental design for a motor vehicle and/or toy replica thereof, as shown and described.

(51) **LOC (13) Cl.** ..... **12-08**

(52) **U.S. Cl.**  
USPC ..... **D12/91**

(58) **Field of Classification Search**  
USPC ..... D12/86, 90–92, 88, 164; D21/424, 433,  
D21/434; 296/181.1–181.5, 183.1  
CPC ..... B62D 25/00; B62D 25/06; B62D 33/00;  
B62D 35/00  
See application file for complete search history.

**DESCRIPTION**

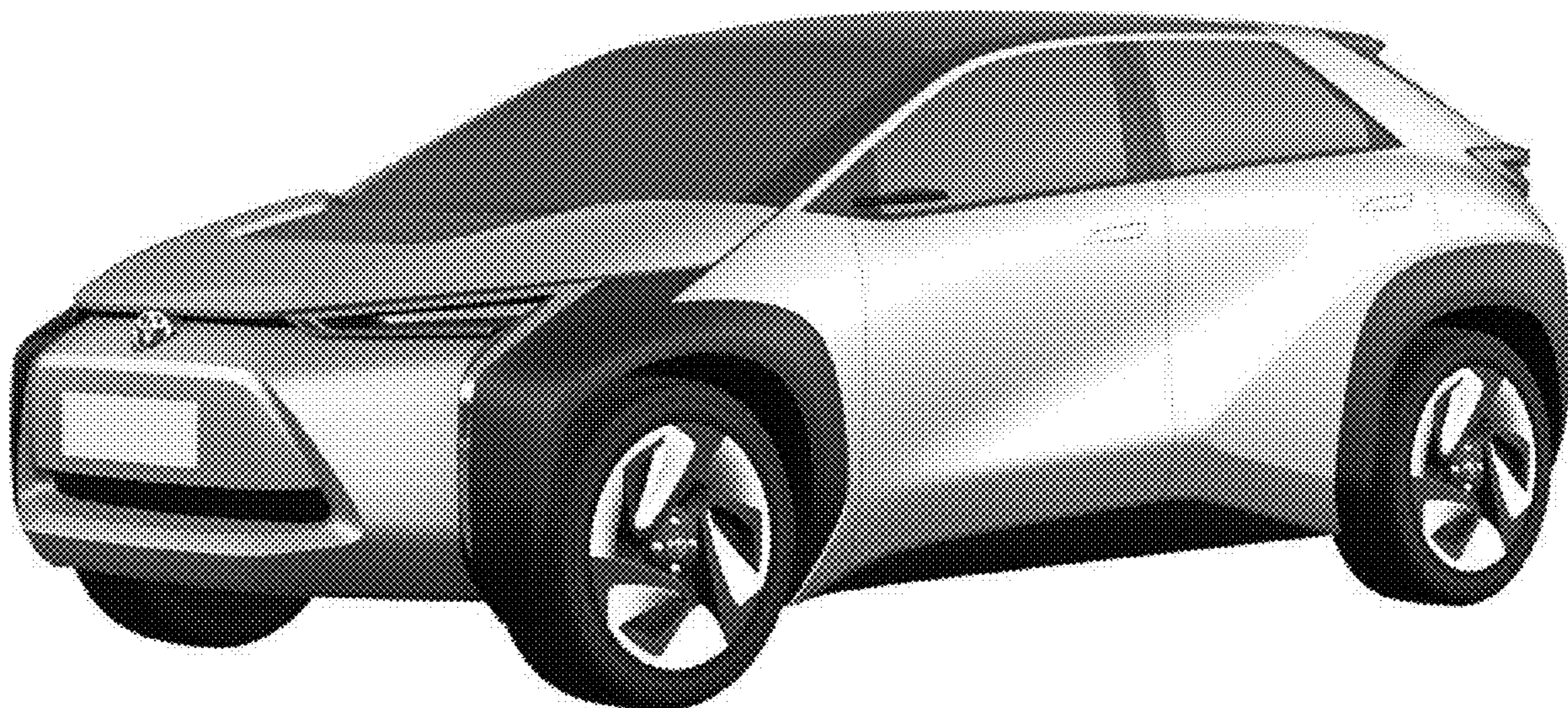
FIG. 1 is a left, front perspective view of a motor vehicle and/or toy replica thereof showing our new design;  
FIG. 2 is a left, rear perspective view thereof;  
FIG. 3 is a left side view thereof;  
FIG. 4 is a right side view thereof;  
FIG. 5 is a front view thereof;  
FIG. 6 is a rear view thereof; and,  
FIG. 7 is a top view thereof.

(56) **References Cited**

**U.S. PATENT DOCUMENTS**

D726,591 S \* 4/2015 Jacob ..... D12/91  
D732,428 S \* 6/2015 Nanba ..... D12/91

**1 Claim, 7 Drawing Sheets**



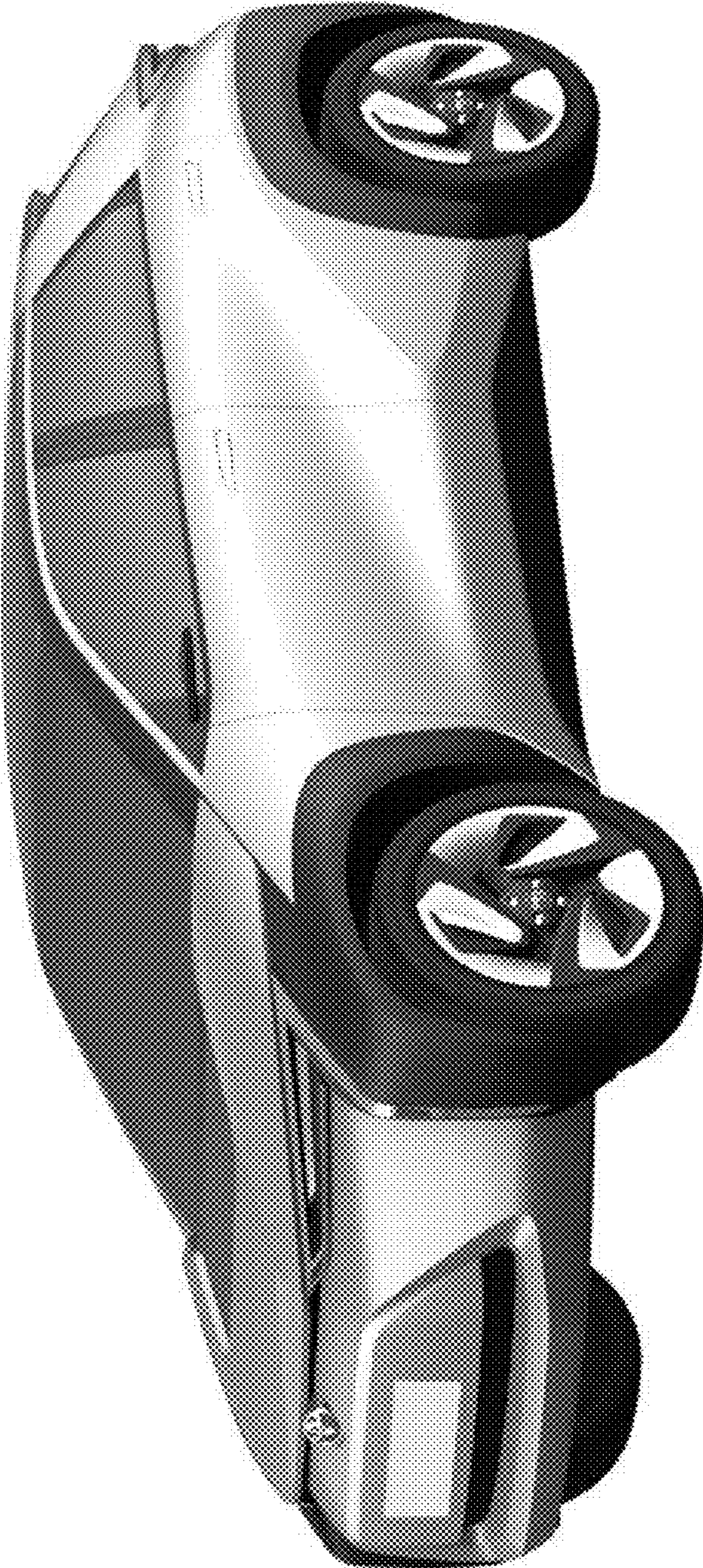


FIG. 1

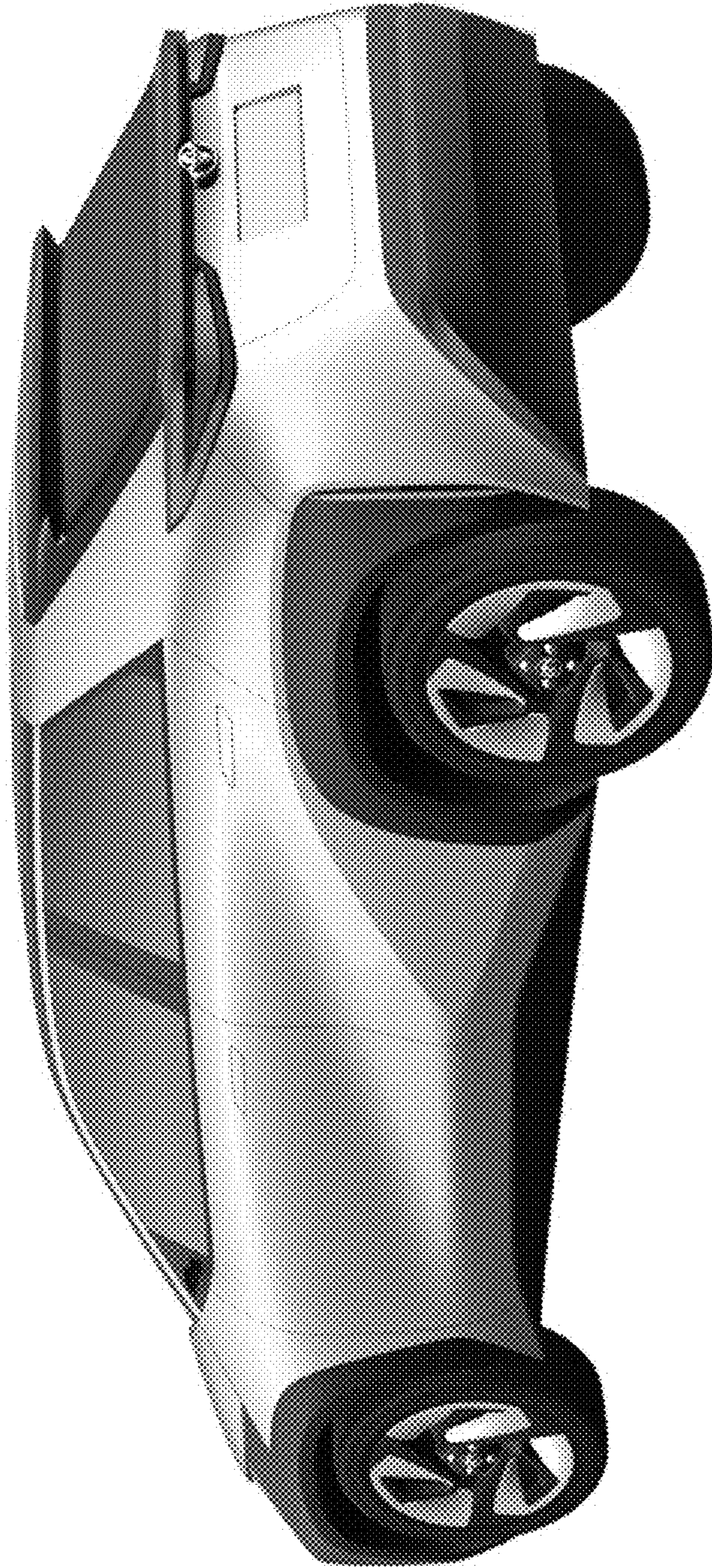


FIG. 2

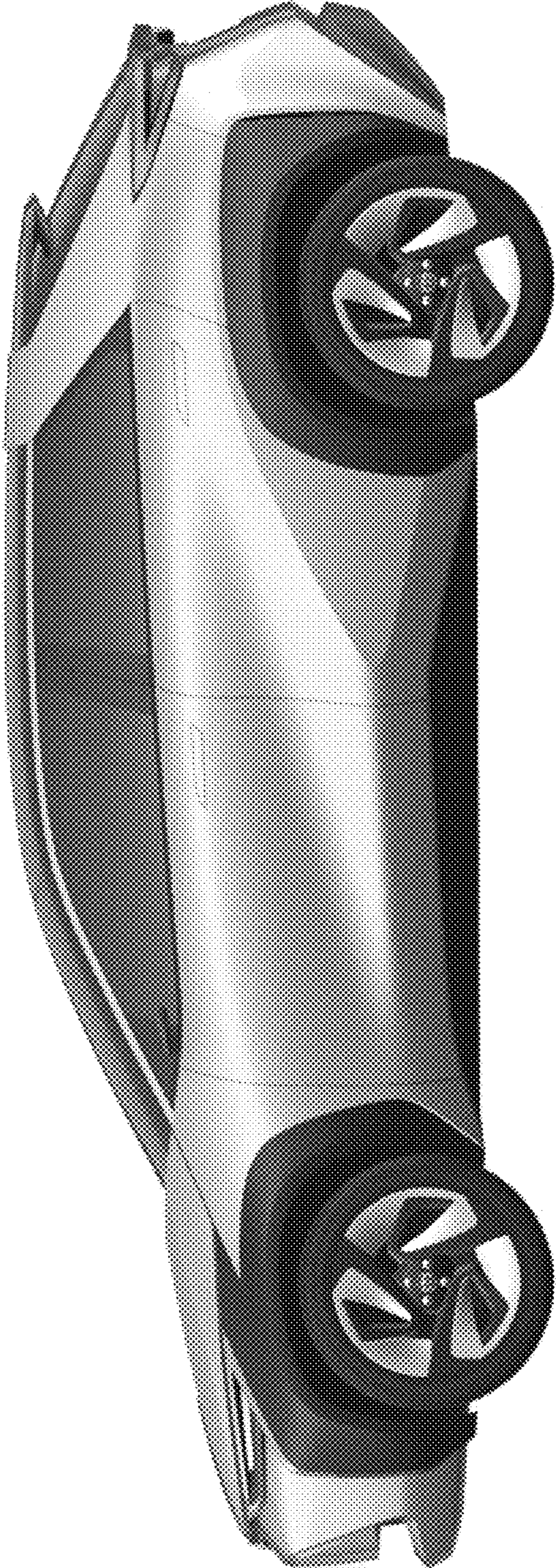


FIG. 3

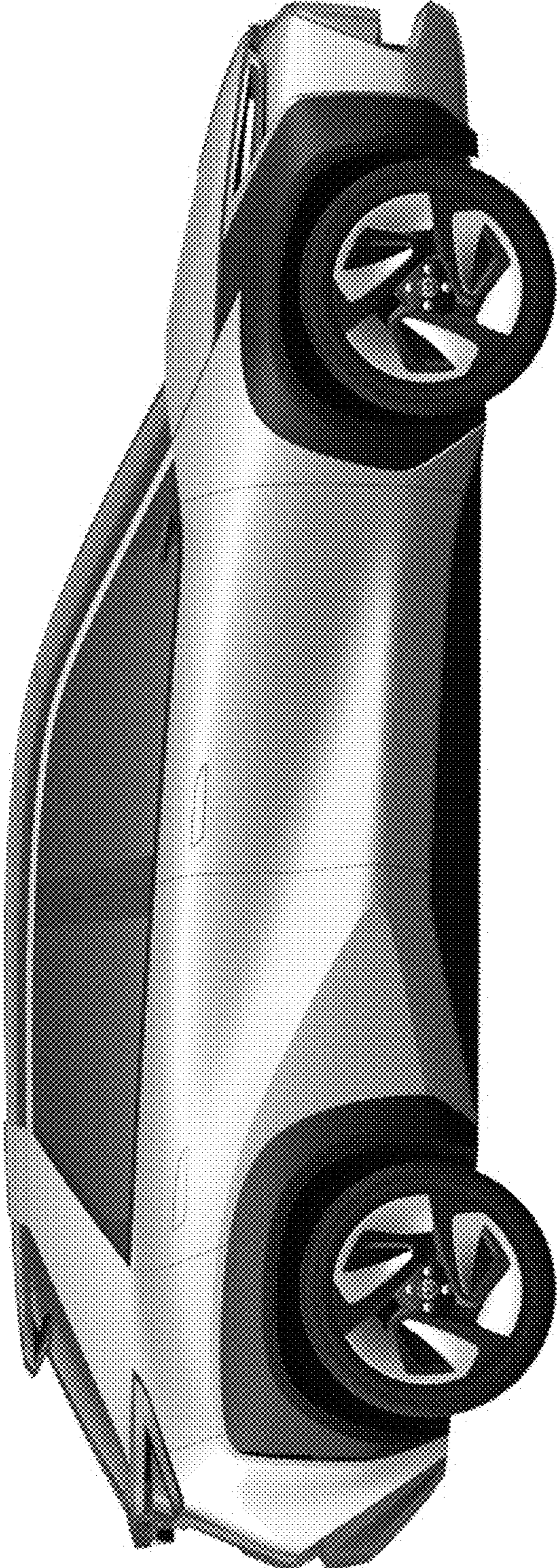


FIG. 4

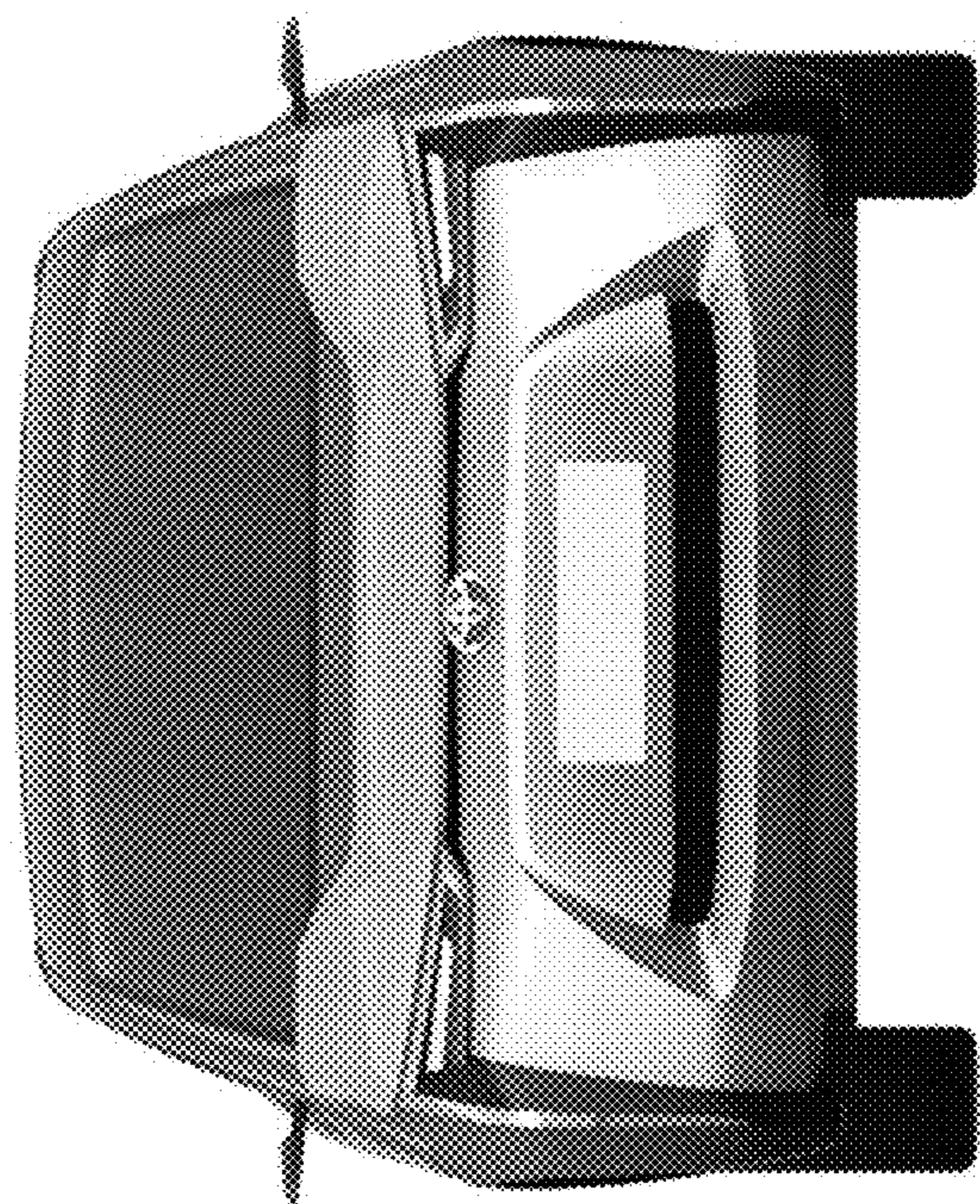


FIG. 5

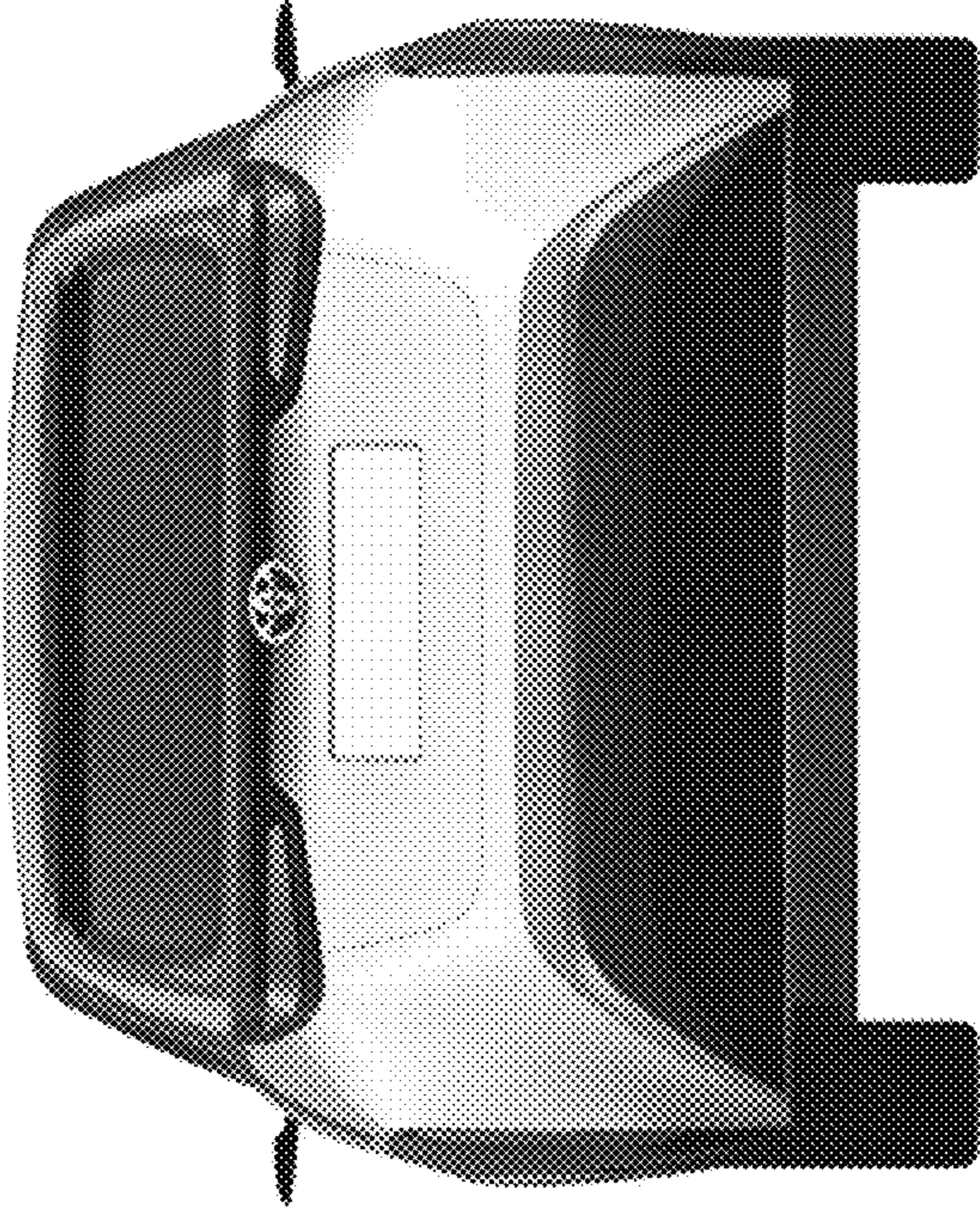


FIG. 6



FIG. 7