



US00D929900S

(12) **United States Design Patent** (10) **Patent No.:** **US D929,900 S**
Badstuebner et al. (45) **Date of Patent:** **** Sep. 7, 2021**

(54) **VEHICLE, TOY, AND/OR REPLICAS THEREOF**

(71) Applicant: **Daimler AG**, Stuttgart (DE)

(72) Inventors: **Achim-Dietrich Badstuebner**, Munich (DE); **Marco Cartarius**, Weil im Schoenbuch (DE); **Mark Fetherston**, Stuttgart (DE); **Teckkoun Kim**, Boeblingen (DE); **Robert Lesnik**, Leonberg (DE); **Andreas Rommel**, Sindelfingen (DE); **Gorden Wagener**, Gaeufelden (DE)

(73) Assignee: **Daimler AG**, Stuttgart (DE)

(**) Term: **15 Years**

(21) Appl. No.: **29/695,127**

(22) Filed: **Jun. 17, 2019**

(30) **Foreign Application Priority Data**

Dec. 18, 2018 (DE) 402018204232.7

(51) **LOC (13) Cl.** **12-08**

(52) **U.S. Cl.**
USPC **D12/91**

(58) **Field of Classification Search**
USPC D12/86, 90-92; D21/424, 433, 434;
296/181.1-181.5, 183.1
CPC B62D 25/00; B62D 25/06; B62D 33/00;
B62D 35/00
See application file for complete search history.

(56) **References Cited**

U.S. PATENT DOCUMENTS

D608,695 S * 1/2010 Burki D12/91
D751,463 S 3/2016 Futschik et al.

D827,497 S * 9/2018 Frei D12/91
D862,287 S * 10/2019 Badstuebner D12/91
D867,212 S * 11/2019 Badstuebner D12/91
D873,715 S * 1/2020 Badstuebner D12/91
D873,716 S * 1/2020 Badstuebner D12/91
D886,679 S * 6/2020 Hellwig D12/91
D914,543 S * 3/2021 Badstuebner D12/91

* cited by examiner

Primary Examiner — Melody N Brown

(74) *Attorney, Agent, or Firm* — Crowell & Moring LLP

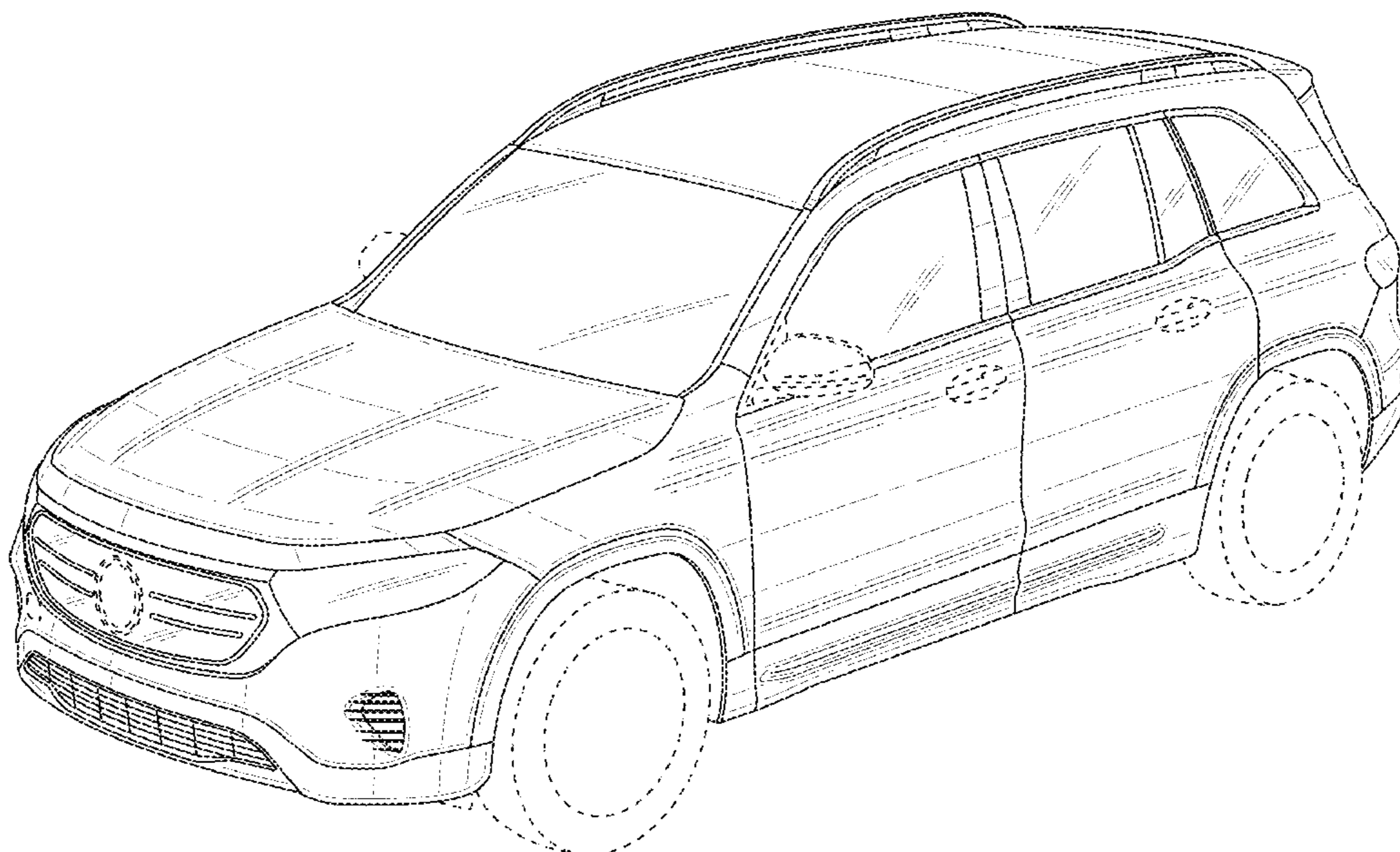
(57) **CLAIM**

The ornamental design for a vehicle, toy, and/or replicas thereof, as shown and described.

DESCRIPTION

This application contains subject matter related to the following co-pending U.S. design patent applications: Application Ser. No. 29/637,940, filed Feb. 23, 2018 and entitled "Vehicle, Toy, and/or Replicas Thereof," and Application Ser. No. 29/690,411, filed May 8, 2019 and entitled "Vehicle, Toy, and/or Replicas Thereof." FIG. 1 is a left, front perspective view of a vehicle, toy, and/or replicas thereof according to the design; FIG. 2 is a left, rear perspective view thereof; FIG. 3 is a front view thereof; FIG. 4 is a rear view thereof; FIG. 5 is a left side view thereof; FIG. 6 is a right side view thereof; and, FIG. 7 is a top view thereof. The broken lines in the drawings illustrate environmental subject matter only and form no part of the claimed design.

1 Claim, 7 Drawing Sheets



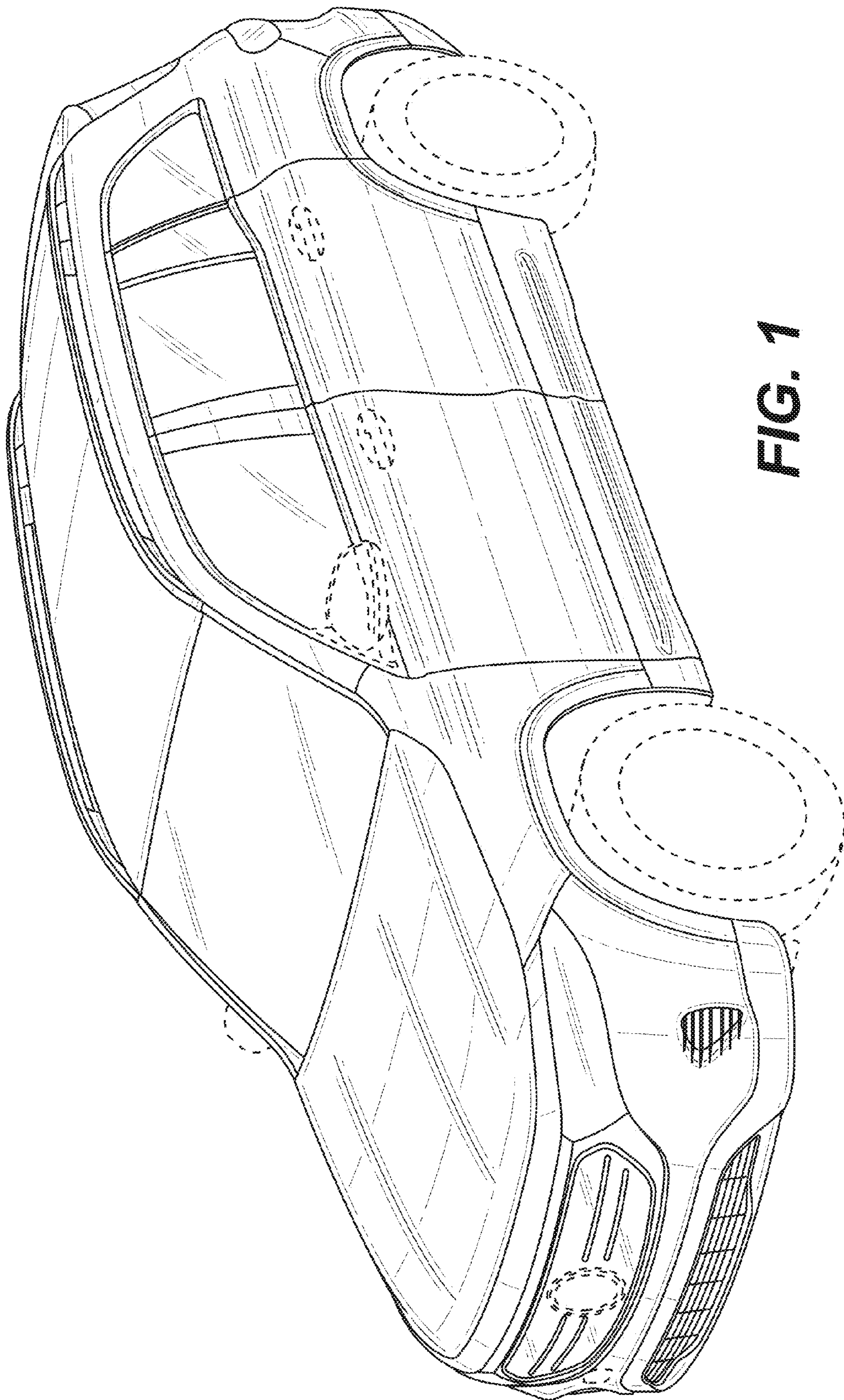


FIG. 1

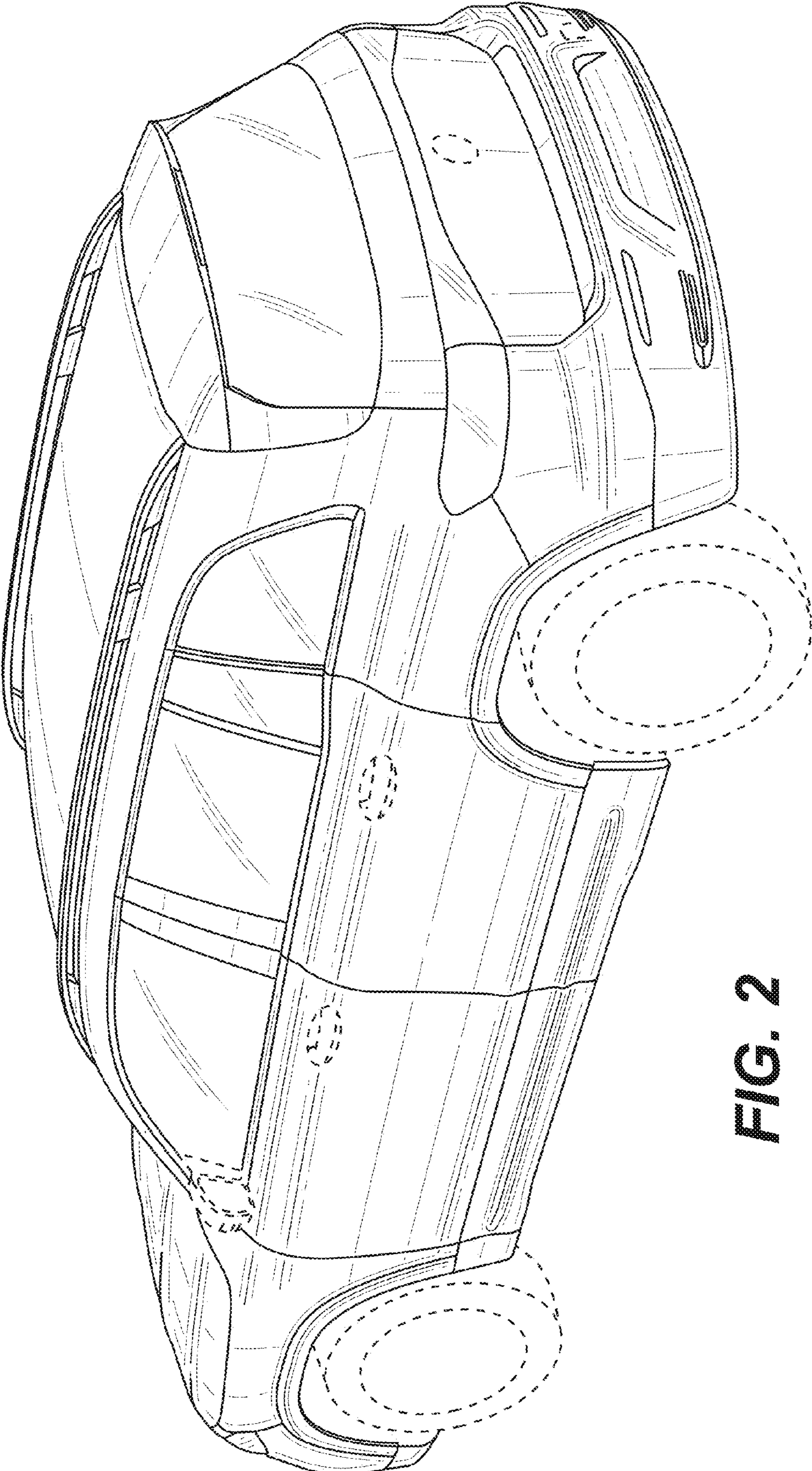


FIG. 2

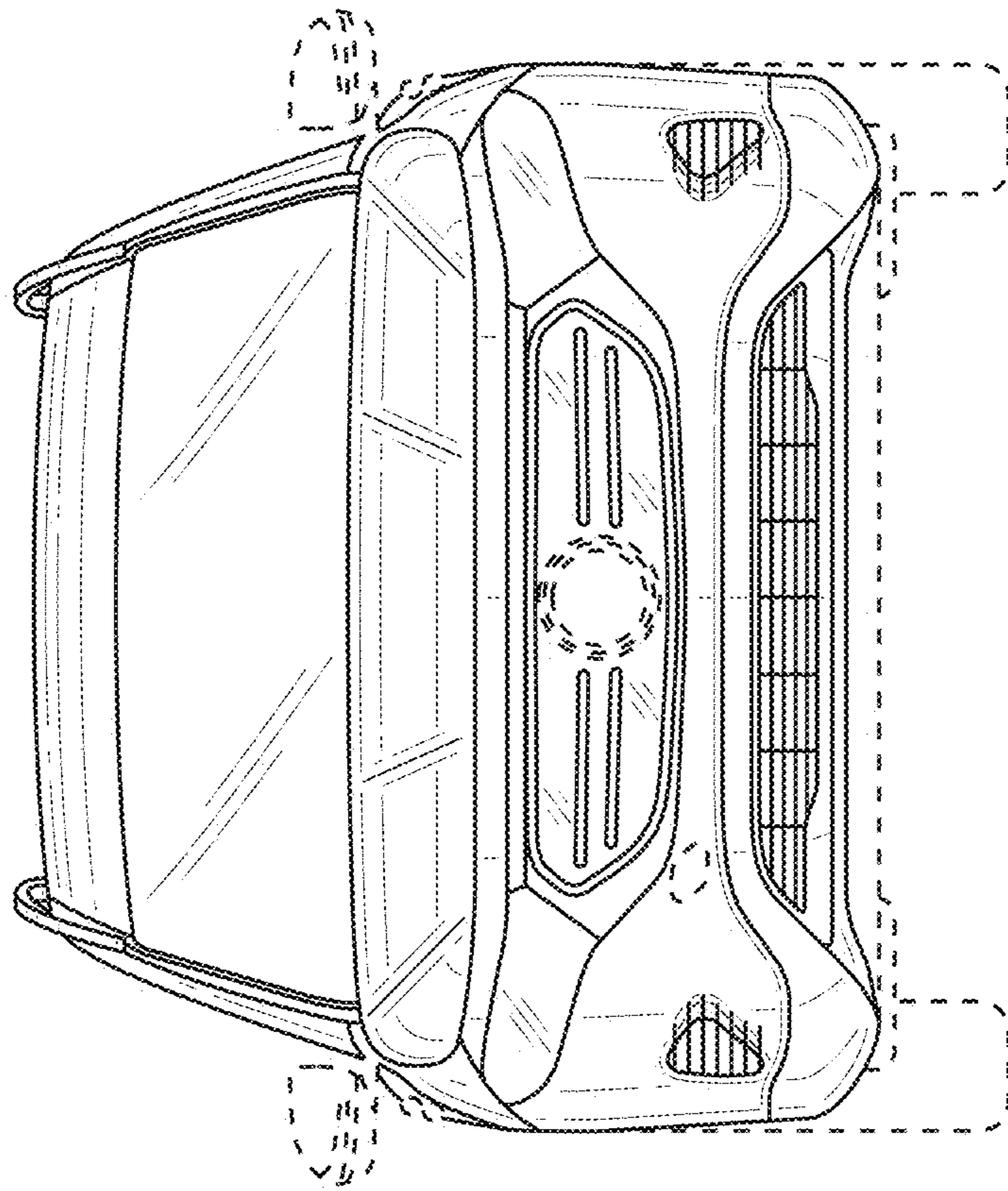


FIG. 3

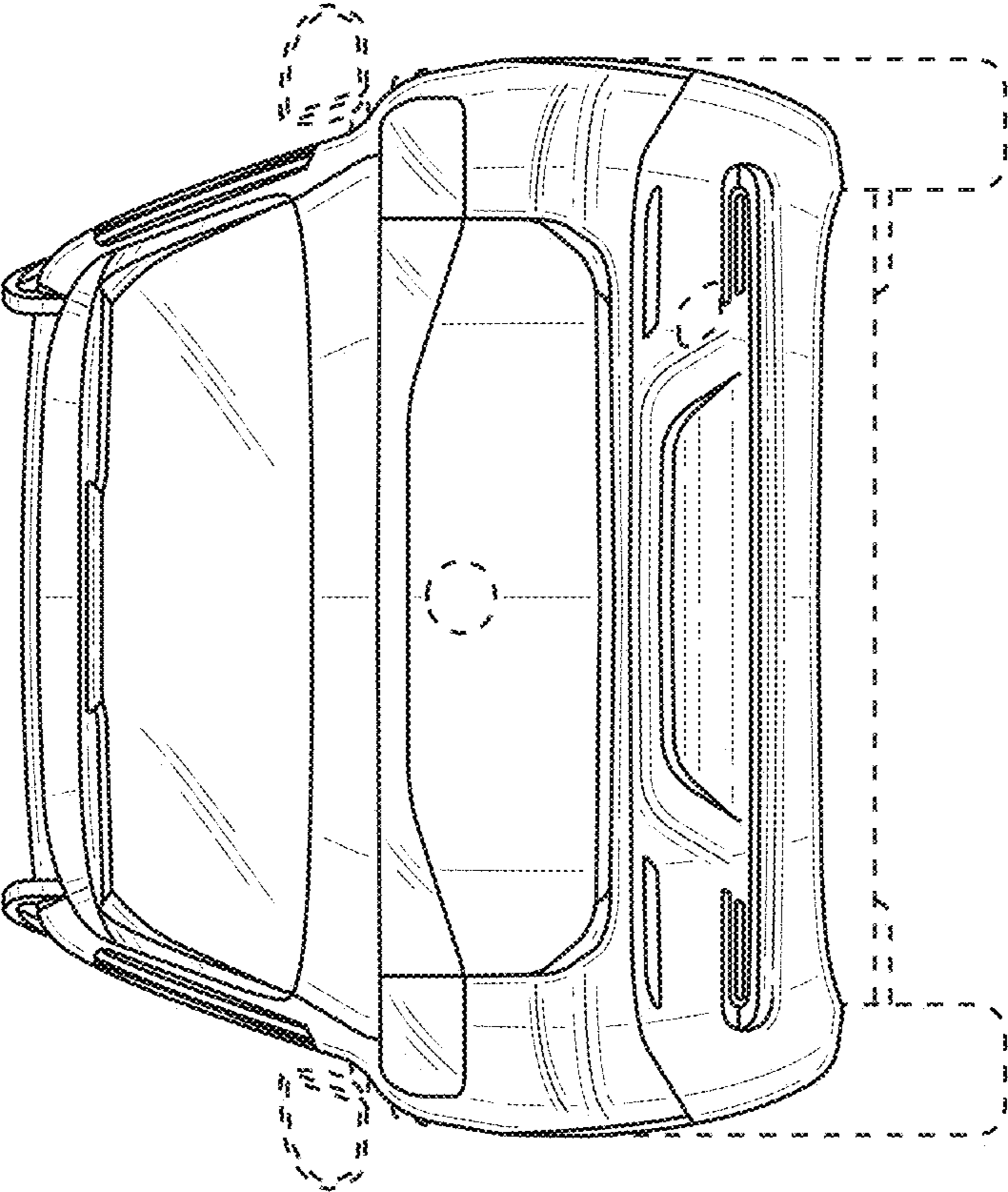


FIG. 4

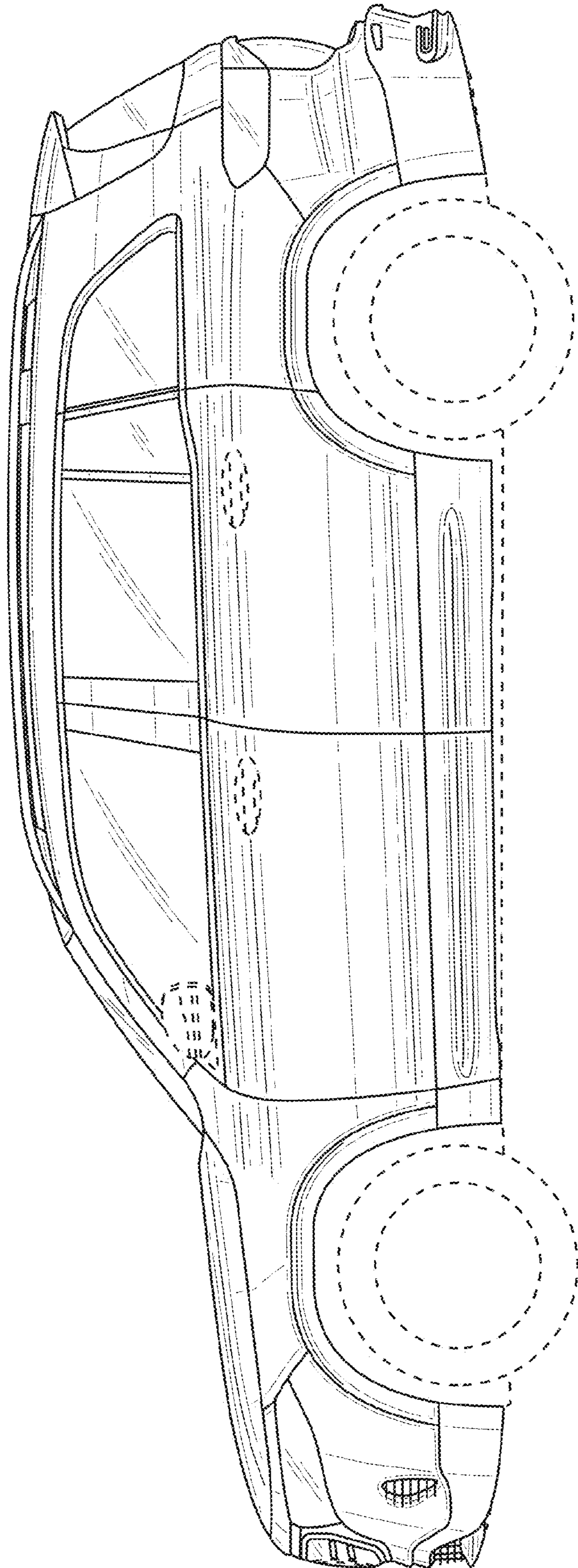


FIG. 5

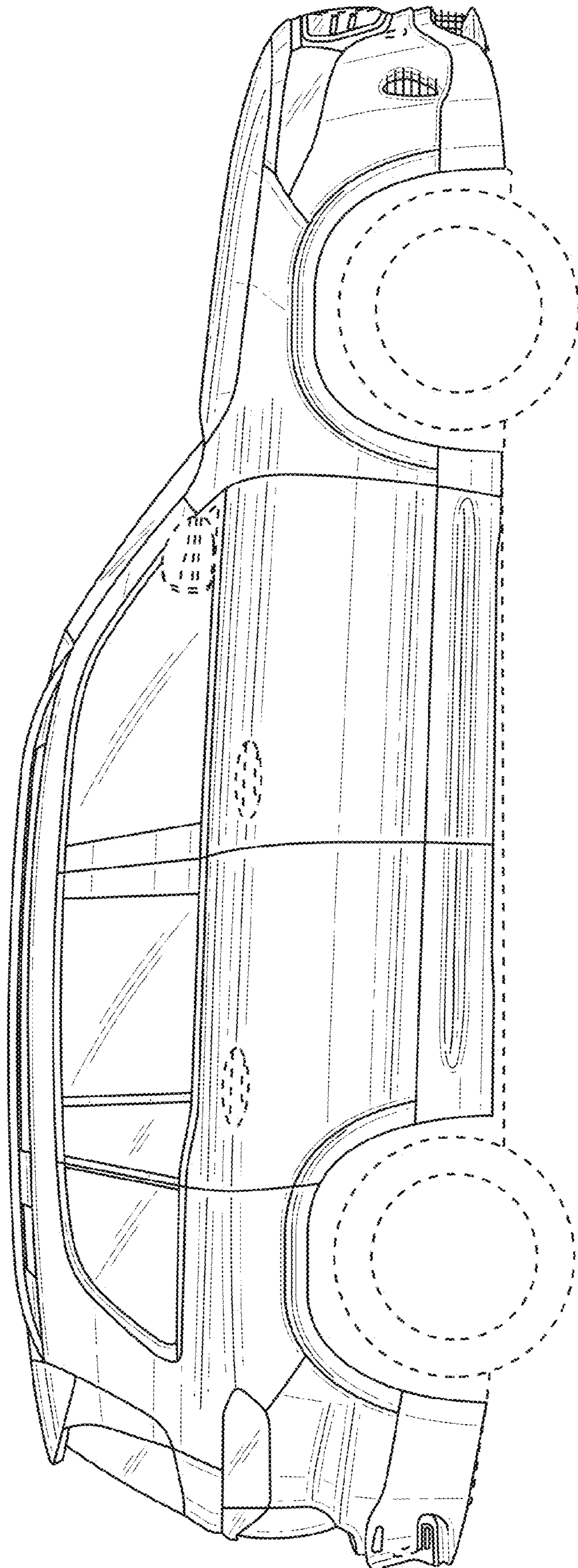


FIG. 6

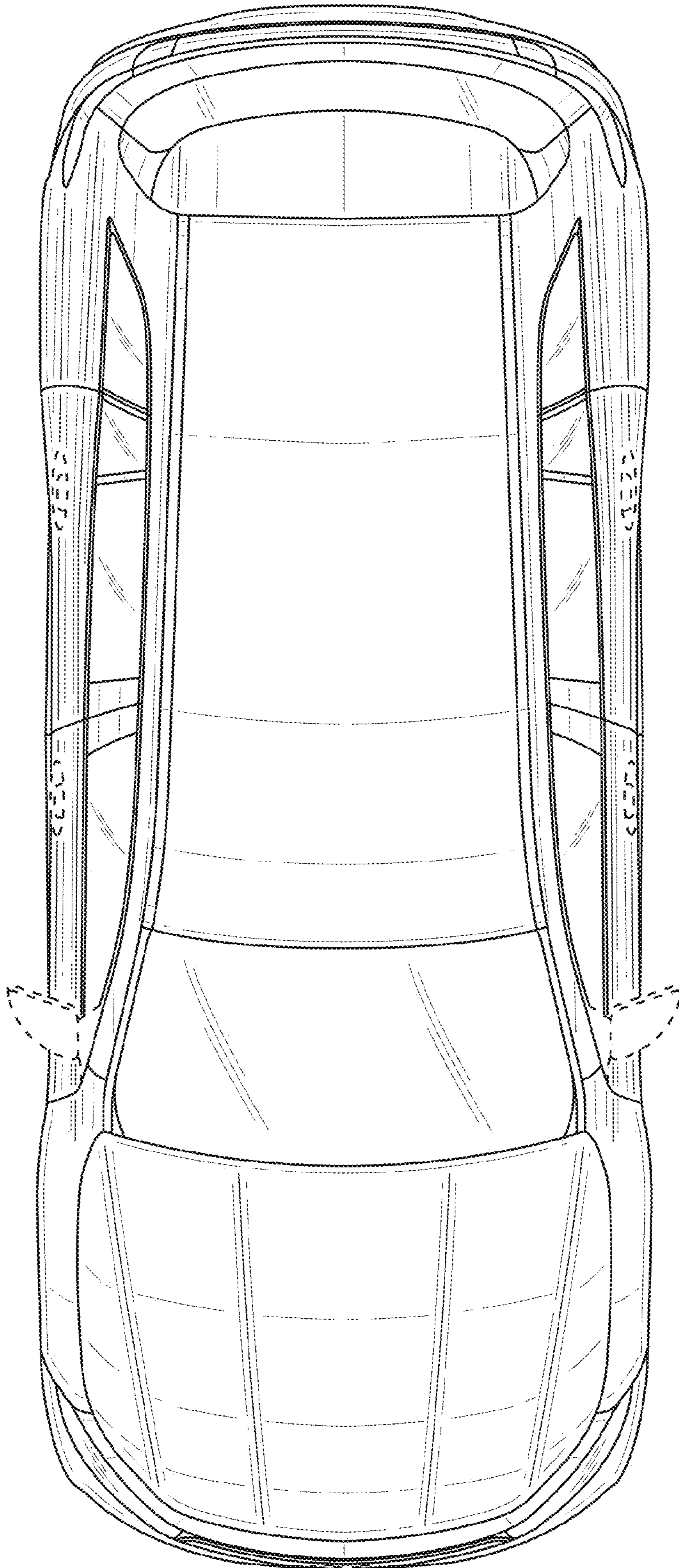


FIG. 7