



US00D929899S

(12) **United States Design Patent** (10) **Patent No.:** **US D929,899 S**
Hirata et al. (45) **Date of Patent:** **** Sep. 7, 2021**

(54) **MOTOR VEHICLE AND/OR TOY REPLICA THEREOF**

(71) Applicants: **Shigeo Hirata**, Tokyo (JP); **Keisuke Sakai**, Toyota (JP); **Hikaru Iwasaki**, Toyota (JP); **Kuniaki Toyooka**, Nagoya (JP); **Naoki Nagatsu**, Miyoshi (JP)

(72) Inventors: **Shigeo Hirata**, Tokyo (JP); **Keisuke Sakai**, Toyota (JP); **Hikaru Iwasaki**, Toyota (JP); **Kuniaki Toyooka**, Nagoya (JP); **Naoki Nagatsu**, Miyoshi (JP)

(73) Assignee: **TOYOTA JIDOSHA KABUSHIKI KAISHA**

(**) Term: **15 Years**

(21) Appl. No.: **29/711,636**

(22) Filed: **Nov. 1, 2019**

(30) **Foreign Application Priority Data**

Aug. 30, 2019 (JP) 2019-019402

(51) **LOC (13) Cl.** **12-08**

(52) **U.S. Cl.**
USPC **D12/90; D12/86**

(58) **Field of Classification Search**
USPC D12/86, 90-92, 88, 164; D21/424, 433, D21/434; 296/181.1-181.5, 183.1
CPC B62D 25/00; B62D 25/06; B62D 33/00; B62D 35/00
See application file for complete search history.

(56) **References Cited**

U.S. PATENT DOCUMENTS

D601,923 S * 10/2009 Suga D12/90
D608,248 S * 1/2010 Hirai D12/90
D610,039 S * 2/2010 Koide D12/90

D671,034 S * 11/2012 Bischoff D12/91
D678,819 S * 3/2013 Akamine D12/90
D714,190 S * 9/2014 Kim D12/91
D719,062 S * 12/2014 Wada D12/90
D720,256 S * 12/2014 Palma D12/91
D724,999 S * 3/2015 Murray D12/91
D768,541 S * 10/2016 Burki D12/90
D830,900 S * 10/2018 Suzuki D12/86
D834,999 S * 12/2018 Ma D12/90
D911,221 S * 2/2021 Pischevar D12/90

OTHER PUBLICATIONS

Netcarshow, BMW i3 (2014), <<https://www.netcarshow.com/bmw/2014-i3/>>, available as early as Dec. 31, 2014.
Autocar Japan, Honda Micro Commuter Prototype (2012), <<https://www.autocar.jp/newsjp/2012/11/13/18114/>>, available as early as Nov. 13, 2012.
Carnewschina.com, Baojun E200-EV (2018), <<https://carnewschina.com/2018/06/15/>>, available as early as Jun. 15, 2018.

* cited by examiner

Primary Examiner — Melody N Brown
(74) *Attorney, Agent, or Firm* — Saidman DesignLaw Group, LLC

(57) **CLAIM**

The ornamental design for a motor vehicle and/or toy replica thereof, as shown and described.

DESCRIPTION

FIG. 1 is a left, front perspective view of a motor vehicle and/or toy replica thereof showing our new design;
FIG. 2 is a left, rear view thereof;
FIG. 3 is a left side view thereof;
FIG. 4 is a right side view thereof;
FIG. 5 is a front view thereof;
FIG. 6 is a rear view thereof; and,
FIG. 7 is a top view thereof.

1 Claim, 7 Drawing Sheets





FIG. 1



FIG. 2

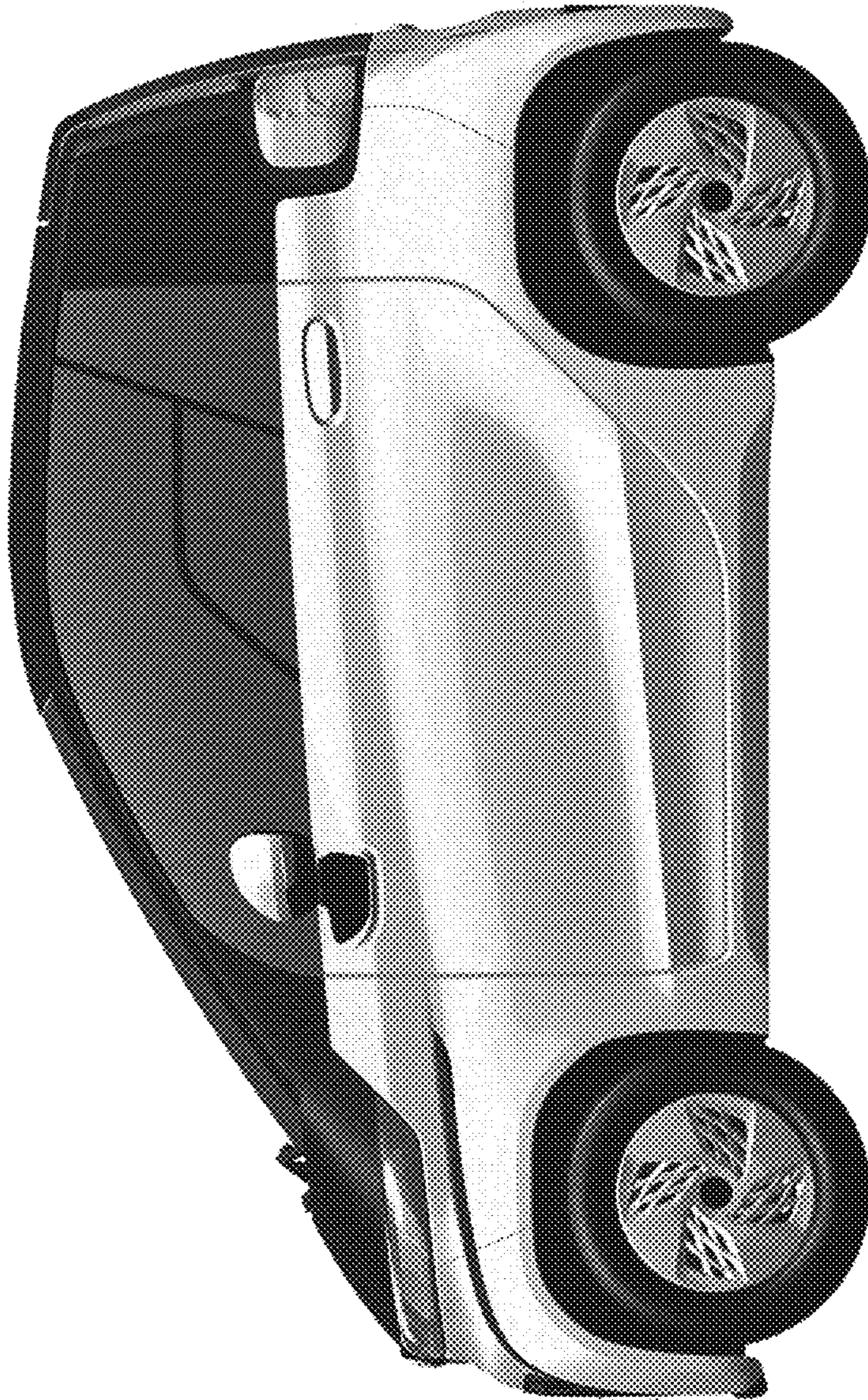


FIG. 3



FIG. 4



FIG. 5



FIG. 6



FIG. 7