



US00D929898S

(12) **United States Design Patent** (10) **Patent No.:** **US D929,898 S**
Dumas (45) **Date of Patent:** **** Sep. 7, 2021**

(54) **BELT BUCKLE**

(71) Applicant: **HERMES SELLIER (Société par actions simplifiée)**, Paris (FR)

(72) Inventor: **Pierre-Alexis Dumas**, Paris (FR)

(**) Term: **15 Years**

(21) Appl. No.: **35/509,616**

(22) Filed: **Dec. 19, 2019**

(80) **Hague Agreement Data**

Int. Filing Date: **Dec. 19, 2019**

Int. Reg. No.: **DM/207656**

Int. Reg. Date: **Dec. 19, 2019**

Int. Reg. Pub. Date: **Jun. 19, 2020**

(30) **Foreign Application Priority Data**

Jun. 21, 2019 (EM) 006587028

(51) **LOC (13) Cl.** **02-07**

(52) **U.S. Cl.**
USPC **D11/216**

(58) **Field of Classification Search**

USPC D11/200, 202, 229, 61, 201, 206, 209,
D11/213, 214, 221, 226, 230, 231, 232,
D11/86, 87, 234, 233, 235, 236, 237, 238,
D11/1-2, 22, 40, 79; 24/163 R, 170, 335,
24/616, 173, 177-179, 191, 194-195,
24/197, 200, 578.11, 578.1; D2/976, 978,
D2/971, 853, 624; 2/300
CPC A44B 11/25; A44B 11/26; A44B 11/00;
A44B 11/001; A44B 11/005; A44B 11/06;
A44B 11/04; A44B 11/22; A44B 11/24;
A44C 15/004; A44C 1/00

See application file for complete search history.

(56) **References Cited**

U.S. PATENT DOCUMENTS

D68,098 S *	9/1925	Gibbs	D11/218
D523,377 S *	6/2006	Mouquet	D11/234
D536,281 S *	2/2007	Mouquet	D11/234
D556,081 S *	11/2007	Mouquet	D11/87
D704,590 S *	5/2014	Liao	D11/86
D713,294 S *	9/2014	Mouquet	D11/231
D715,178 S *	10/2014	Venturini Fendi	A44C 5/00 D11/87
D830,227 S *	10/2018	Mouquet	D11/231
D853,276 S *	7/2019	Ekberg	D11/216
D856,846 S *	8/2019	Mouquet	D11/231
D857,551 S *	8/2019	Mouquet	D11/231
D857,552 S *	8/2019	Mouquet	D11/231

* cited by examiner

Primary Examiner — Melanie Pellegrini

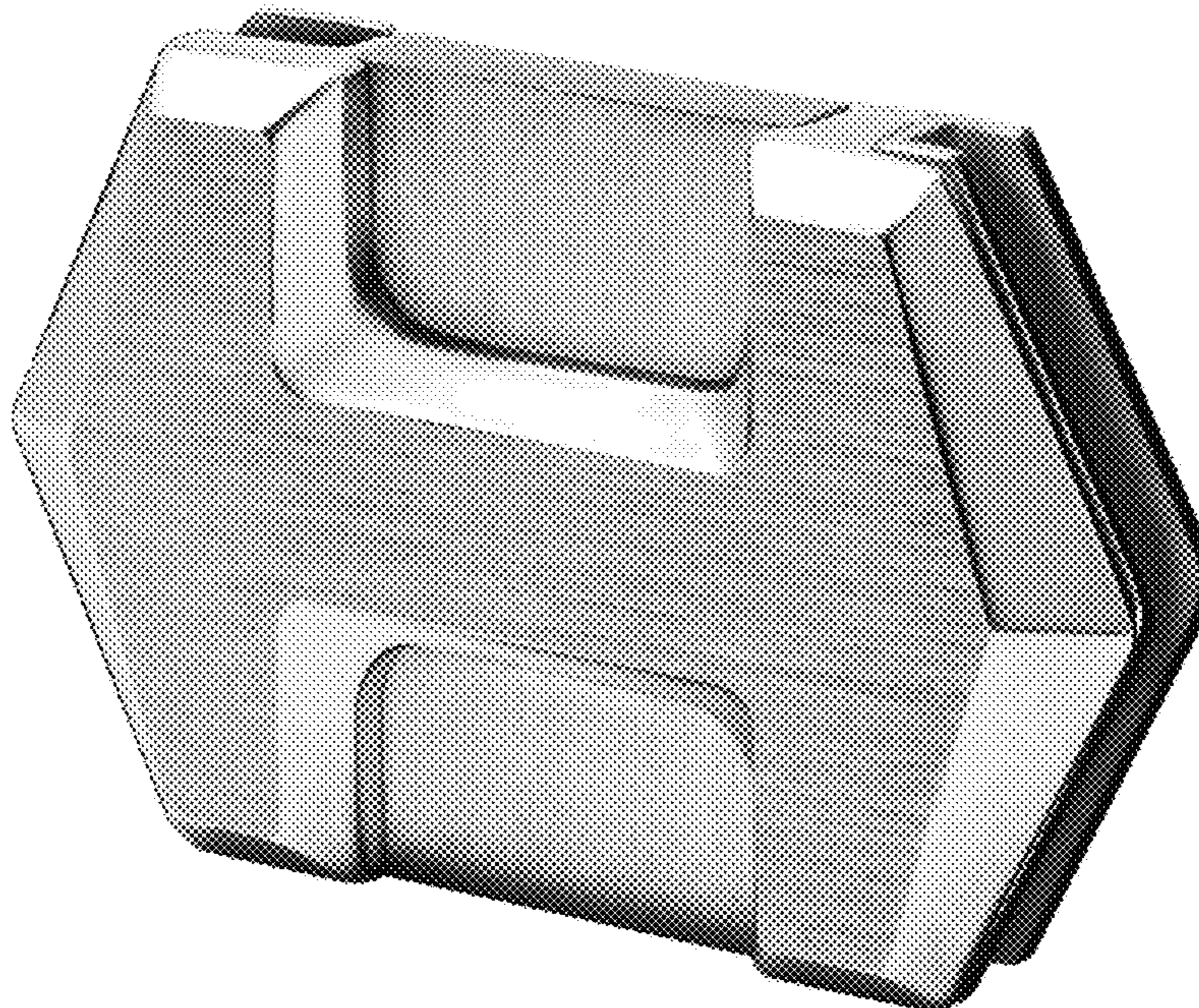
(57) **CLAIM**

The ornamental design for belt buckle, as shown and described.

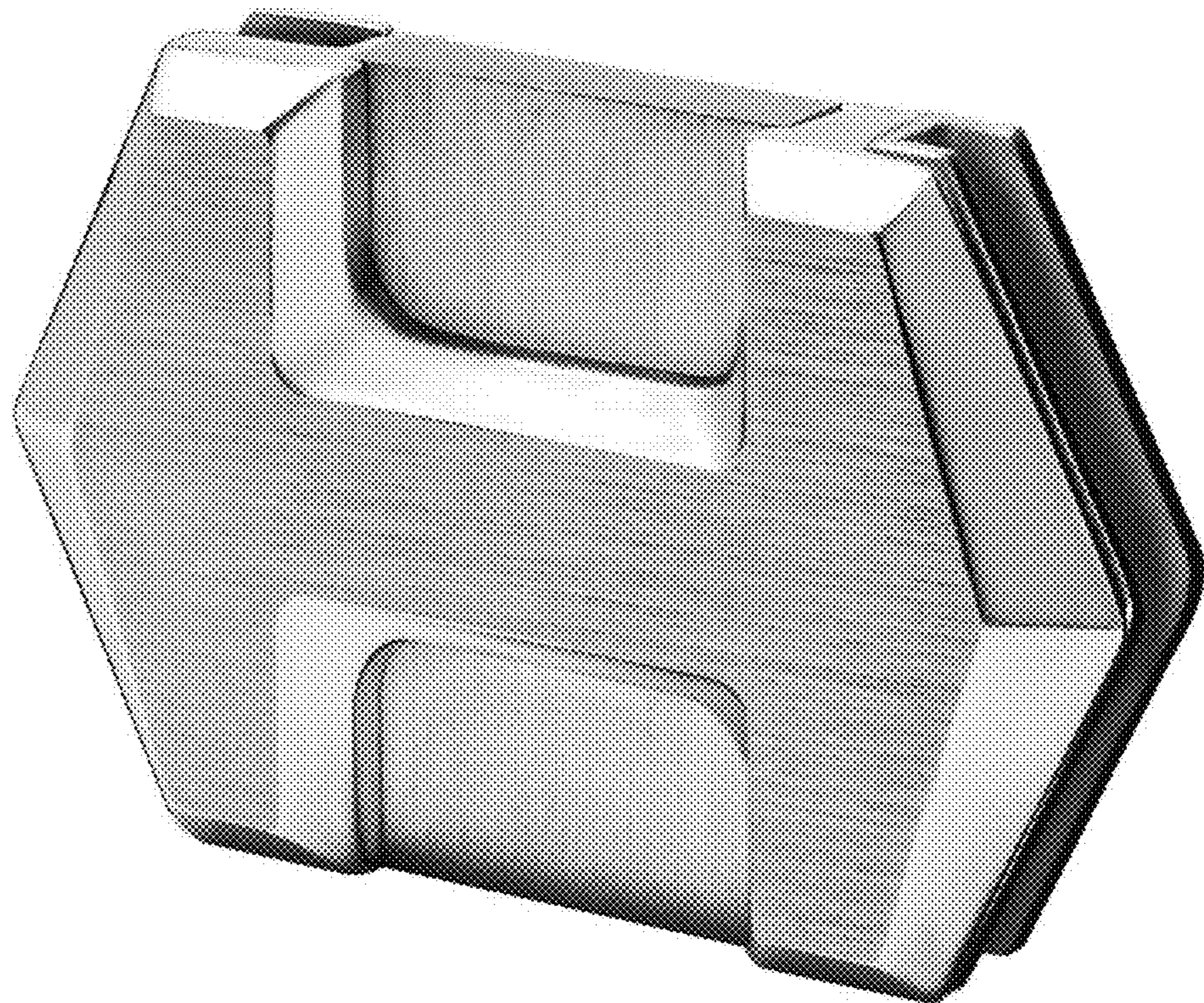
DESCRIPTION

- 1. Belt buckle
- 1.1 : Perspective
- 1.2 : Front
- 1.3 : Back
- 1.4 : Right
- 1.5 : Left
- 1.6 : Top
- 1.7 : Bottom
- 1.8 : Front
- 1.9 : Back

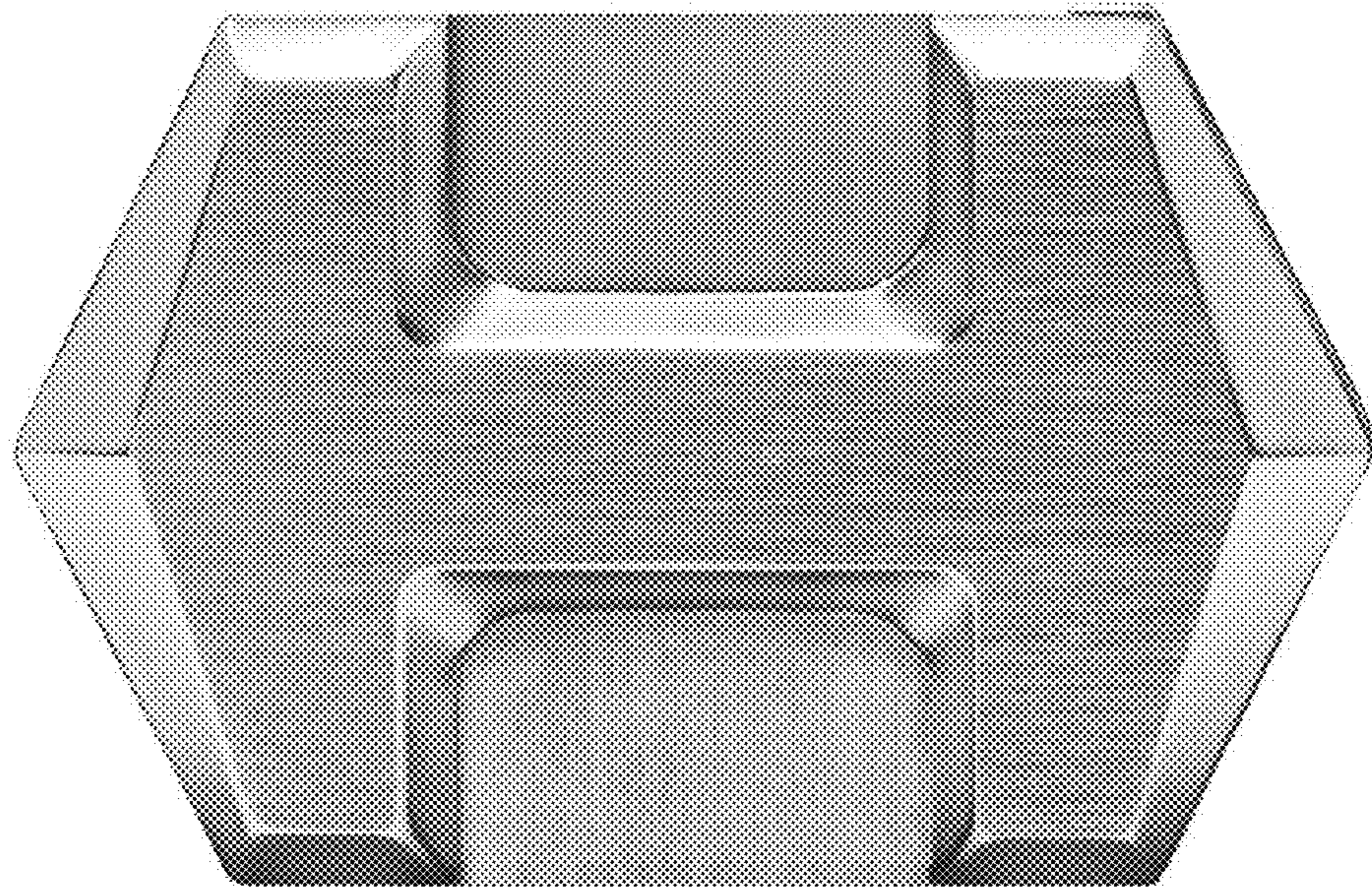
1 Claim, 9 Drawing Sheets



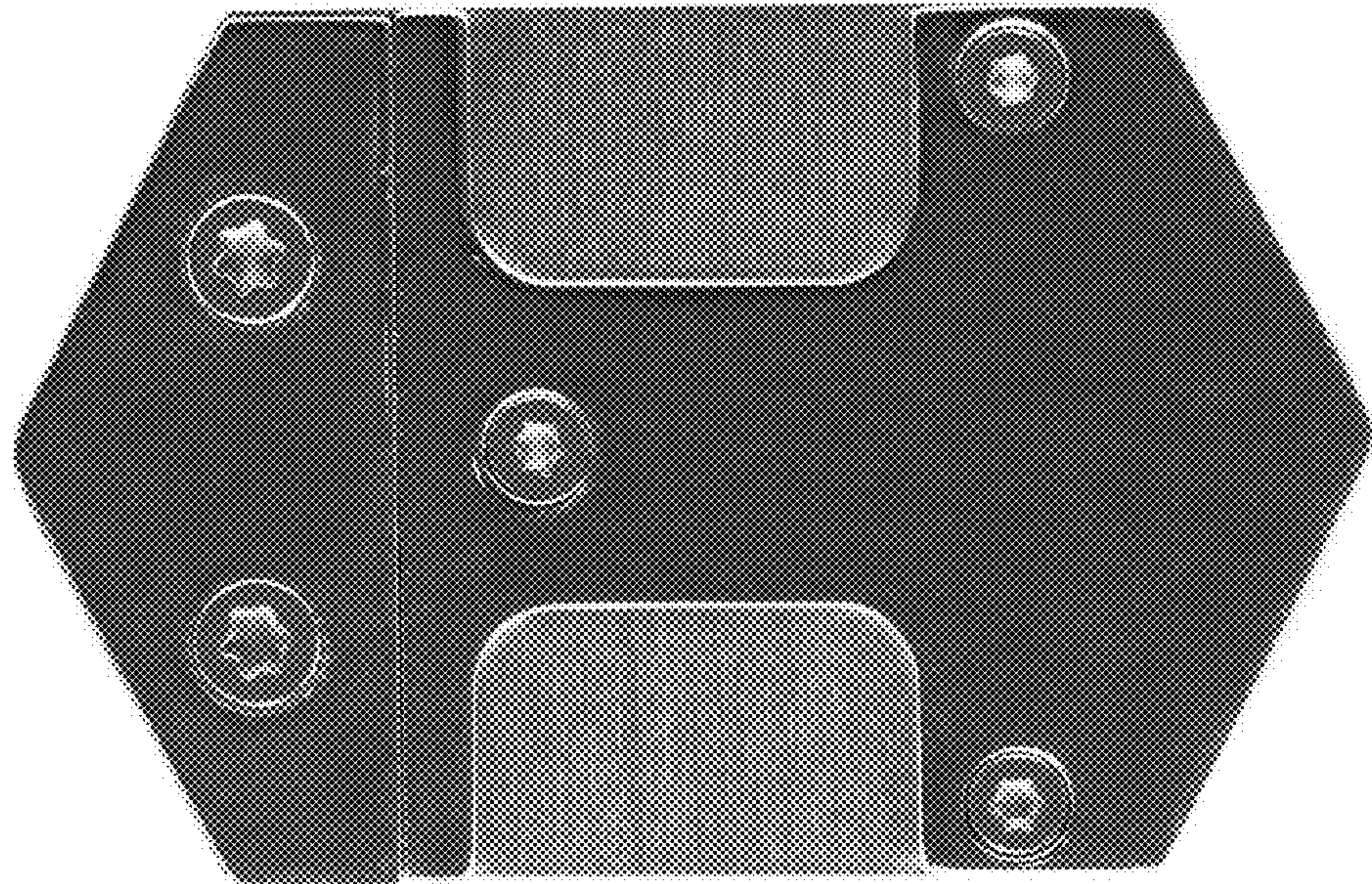
1.1



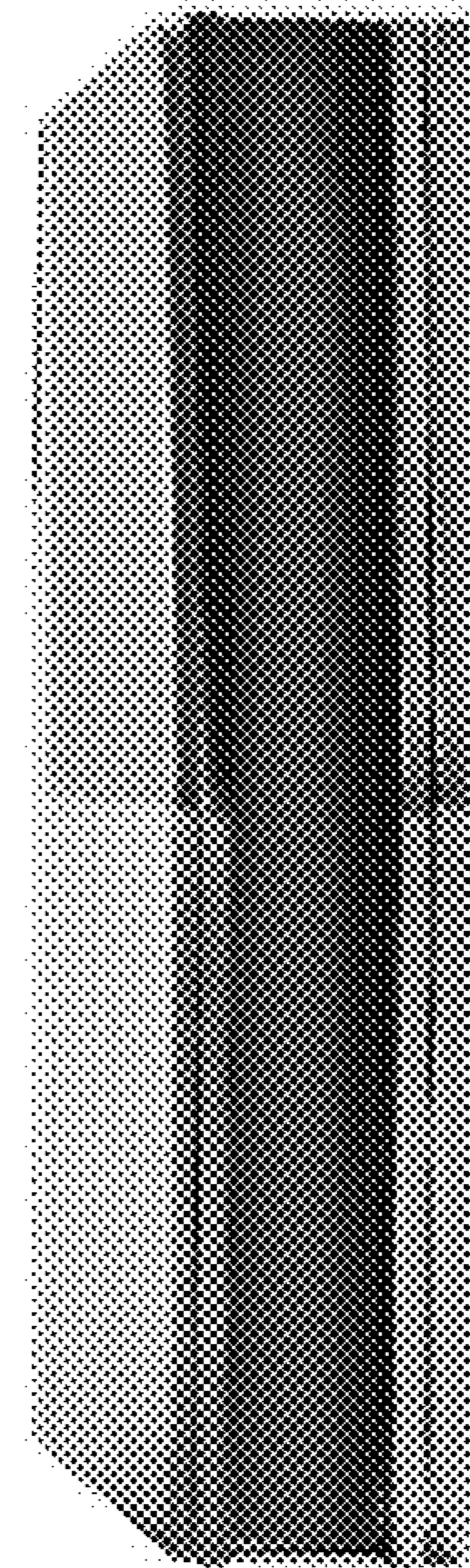
1.2



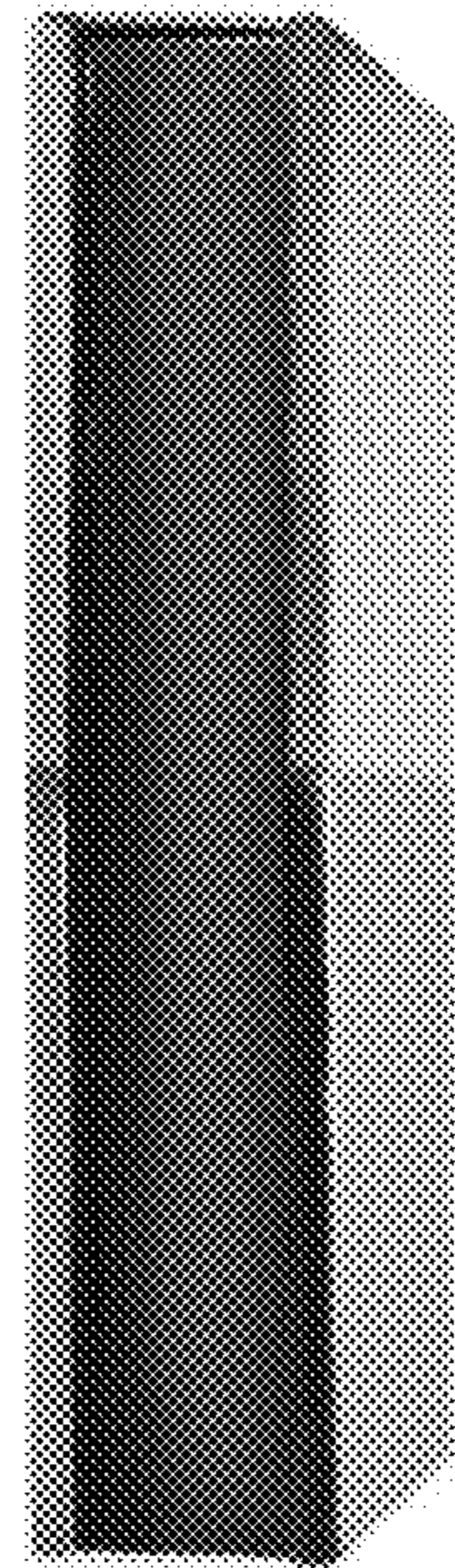
1.3



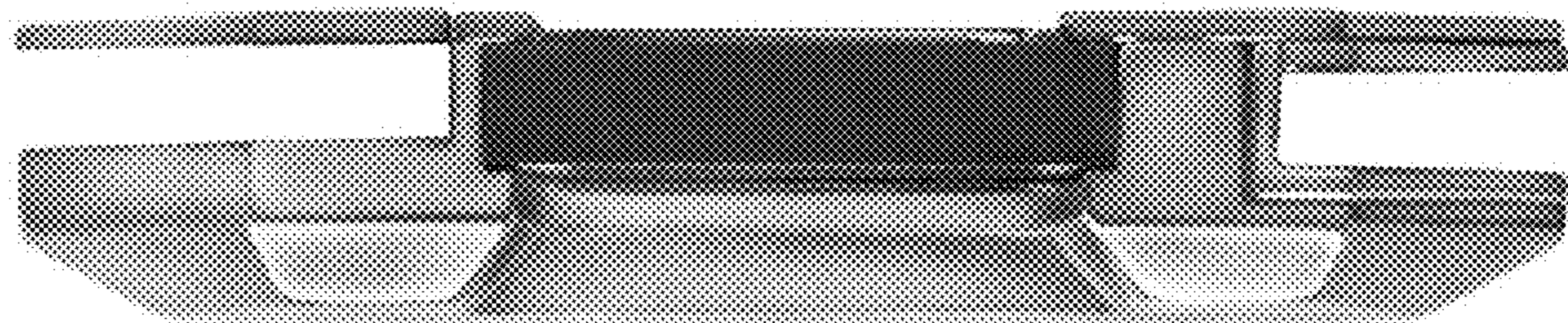
1.4



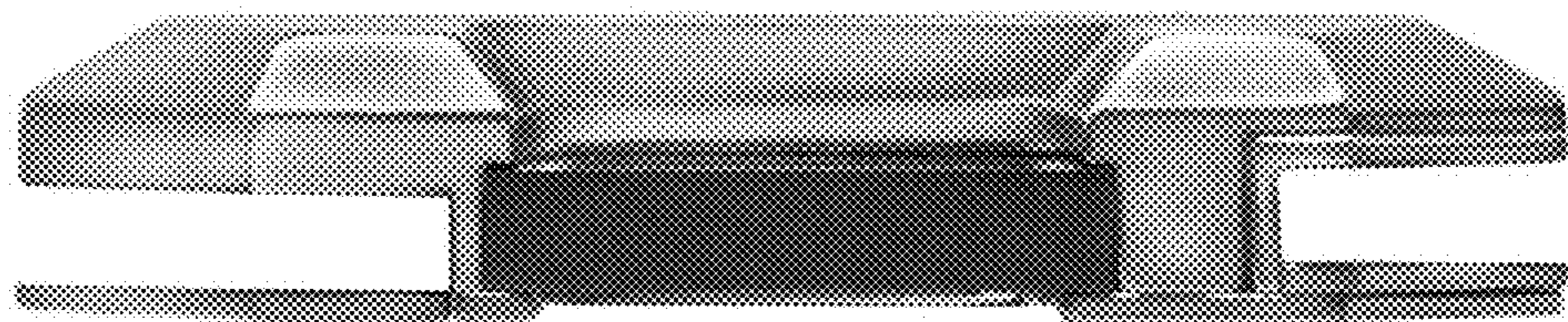
1.5



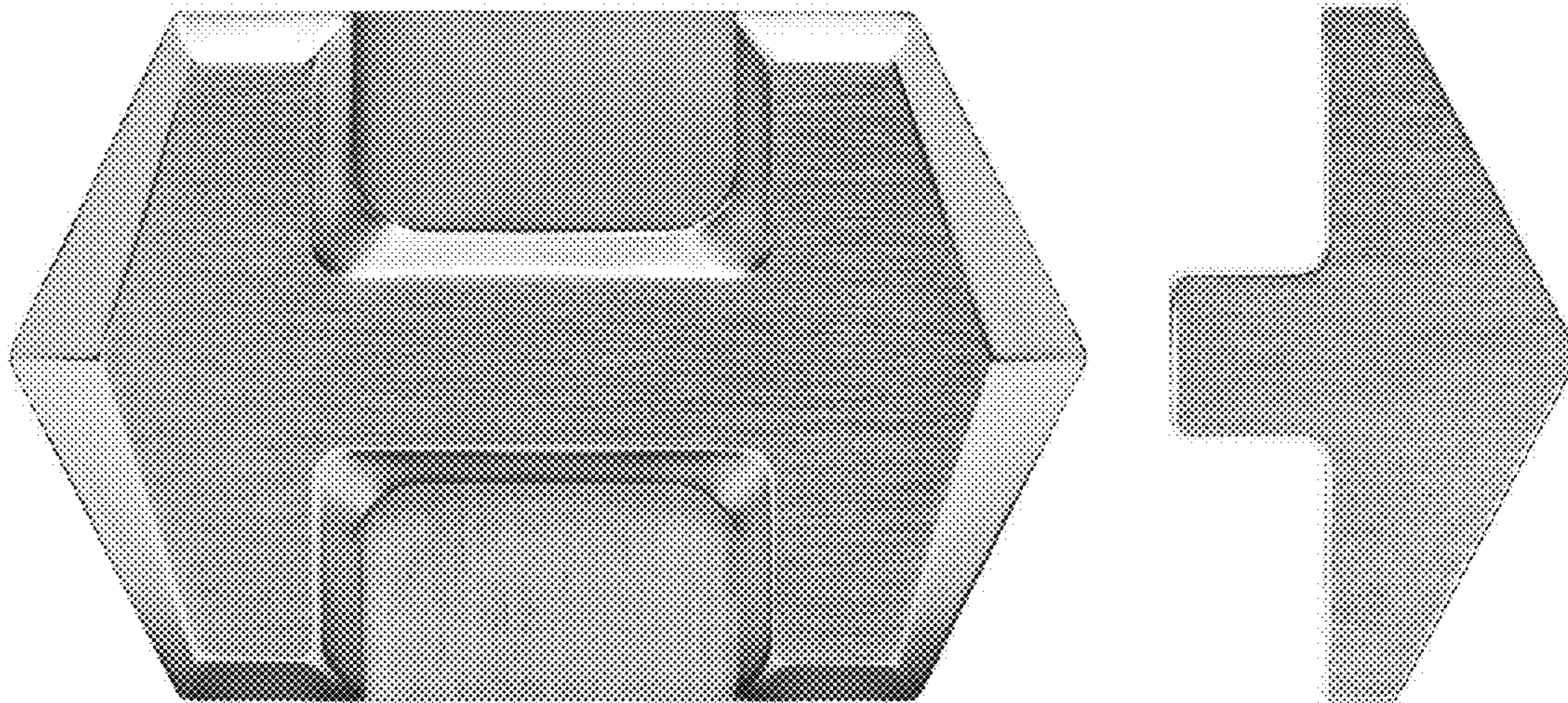
1.6



1.7



1.8



1.9

