



US00D929897S

(12) **United States Design Patent** (10) **Patent No.:** **US D929,897 S**
Cooley (45) **Date of Patent:** **** Sep. 7, 2021**

(54) **FLAGPOLE ANCHOR BASE** 6,868,641 B2 * 3/2005 Conner E01F 9/635
52/165
(71) Applicant: **Burrel L. Cooley**, Irrigon, OR (US) D530,239 S 10/2006 Morford
D594,380 S 6/2009 Somers
(72) Inventor: **Burrel L. Cooley**, Irrigon, OR (US) 7,694,487 B1 * 4/2010 Ryan E02D 27/42
52/741.15

(**) Term: **15 Years**

(Continued)

(21) Appl. No.: **29/761,753**

FOREIGN PATENT DOCUMENTS

(22) Filed: **Dec. 11, 2020**

KR 300394940.0000 * 11/2004

(51) **LOC (13) Cl.** **11-05**

OTHER PUBLICATIONS

(52) **U.S. Cl.**

USPC **D11/182**

(58) **Field of Classification Search**

USPC D8/373, 376, 380; D11/165, 166, 171,
D11/182, 183, 184; D20/16, 17, 28,
D20/41-43; D21/840; D22/147, 148
CPC G09F 17/00; G09F 2017/0008; G09F
2017/0025; G09F 2017/0041; G09F
2017/005; G09F 2017/0066; G09F
2017/0075; G09F 2017/0083

Flagpole To Go Drive Over Base [online], [site visited Feb. 3, 2021]. Available from internet, URL:<<https://flagsinternational.com/product/flagpole-to-go-drive-over-base/>> (Year: 2021).*

Primary Examiner — Cynthia Ramirez

Assistant Examiner — Xavier Marti-Santos

(74) *Attorney, Agent, or Firm* — Cramer Patent & Design, PLLC.; Aaron R. Cramer

See application file for complete search history.

(57) **CLAIM**

The ornamental design for a flagpole anchor base, as shown and described.

(56) **References Cited**

U.S. PATENT DOCUMENTS

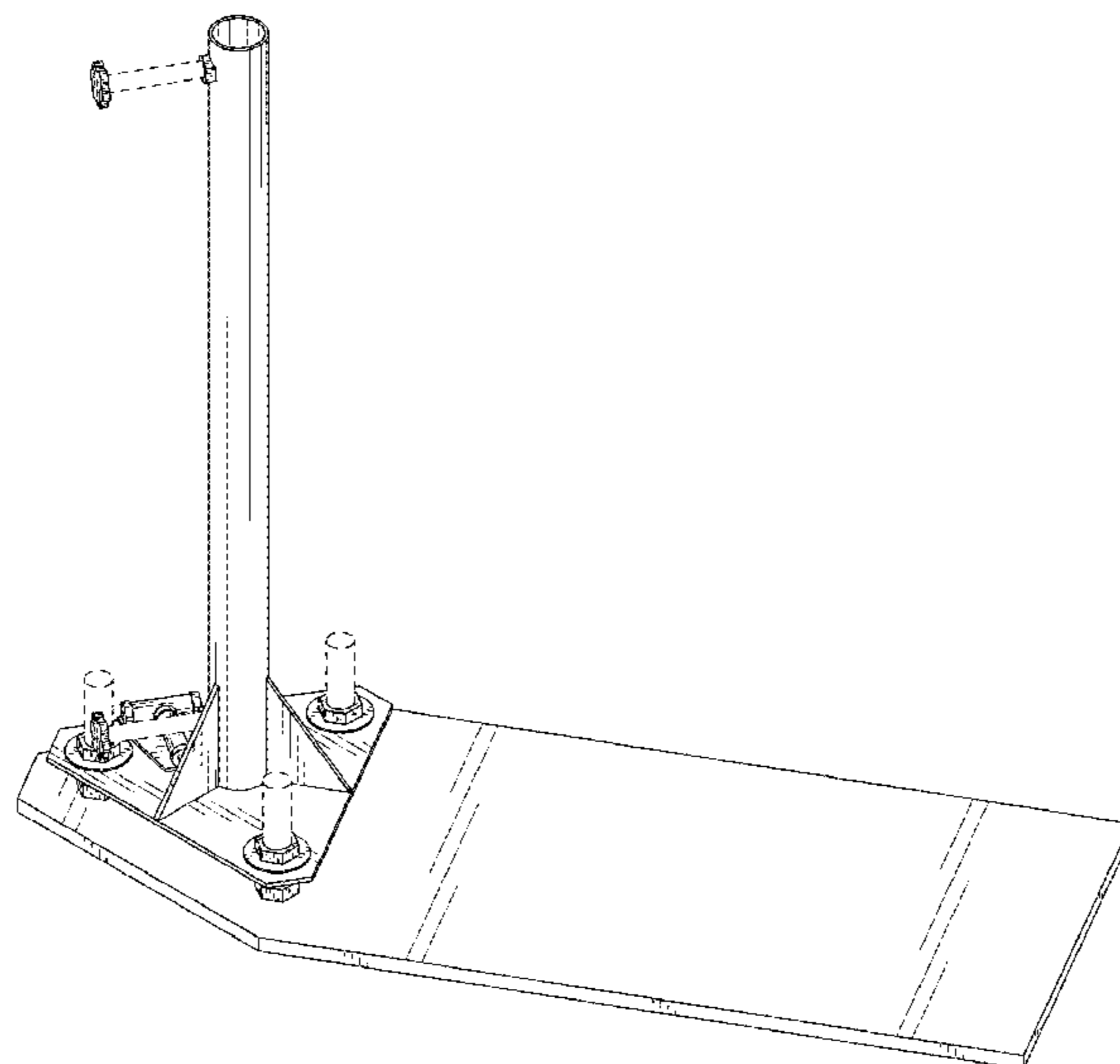
3,167,291 A * 1/1965 Maguire A47F 5/04
248/188.1
3,563,502 A * 2/1971 Dayson E04H 12/2261
52/98
D308,816 S * 6/1990 Petty 248/332
5,048,779 A 7/1991 Wormser
5,172,505 A 12/1992 Borsella
5,544,850 A 8/1996 Fankhauser
D399,446 S * 10/1998 Stillwell D10/109.1
D421,708 S * 3/2000 Kuhnke D8/349
6,138,978 A 10/2000 Andersen
6,276,083 B1 * 8/2001 Ross G09F 15/0025
116/173
6,318,011 B1 11/2001 McCudden
D452,424 S * 12/2001 Simpson, Sr. D8/107
6,536,717 B2 * 3/2003 Parker F16L 3/1016
248/346.01

DESCRIPTION

FIG. 1 is a perspective top rear right view of a flagpole anchor base, showing my new design; FIG. 2 is a perspective top front left view thereof; FIG. 3 is a front elevation view thereof; FIG. 4 is a rear elevation view thereof; FIG. 5 is a right side elevation view; FIG. 6 is a left side elevation view thereof; FIG. 7 is a top plan view thereof; and, FIG. 8 is a bottom plan view thereof.

The broken lines in the figures represent portions of the flagpole anchor base, which form no part of the claimed design.

1 Claim, 8 Drawing Sheets



(56)

References Cited

U.S. PATENT DOCUMENTS

D657,712 S * 4/2012 Bigbee D11/182
D712,315 S 9/2014 Wagner
D772,040 S * 11/2016 Grant D8/354
9,523,380 B2 * 12/2016 Brown F16L 3/02

* cited by examiner

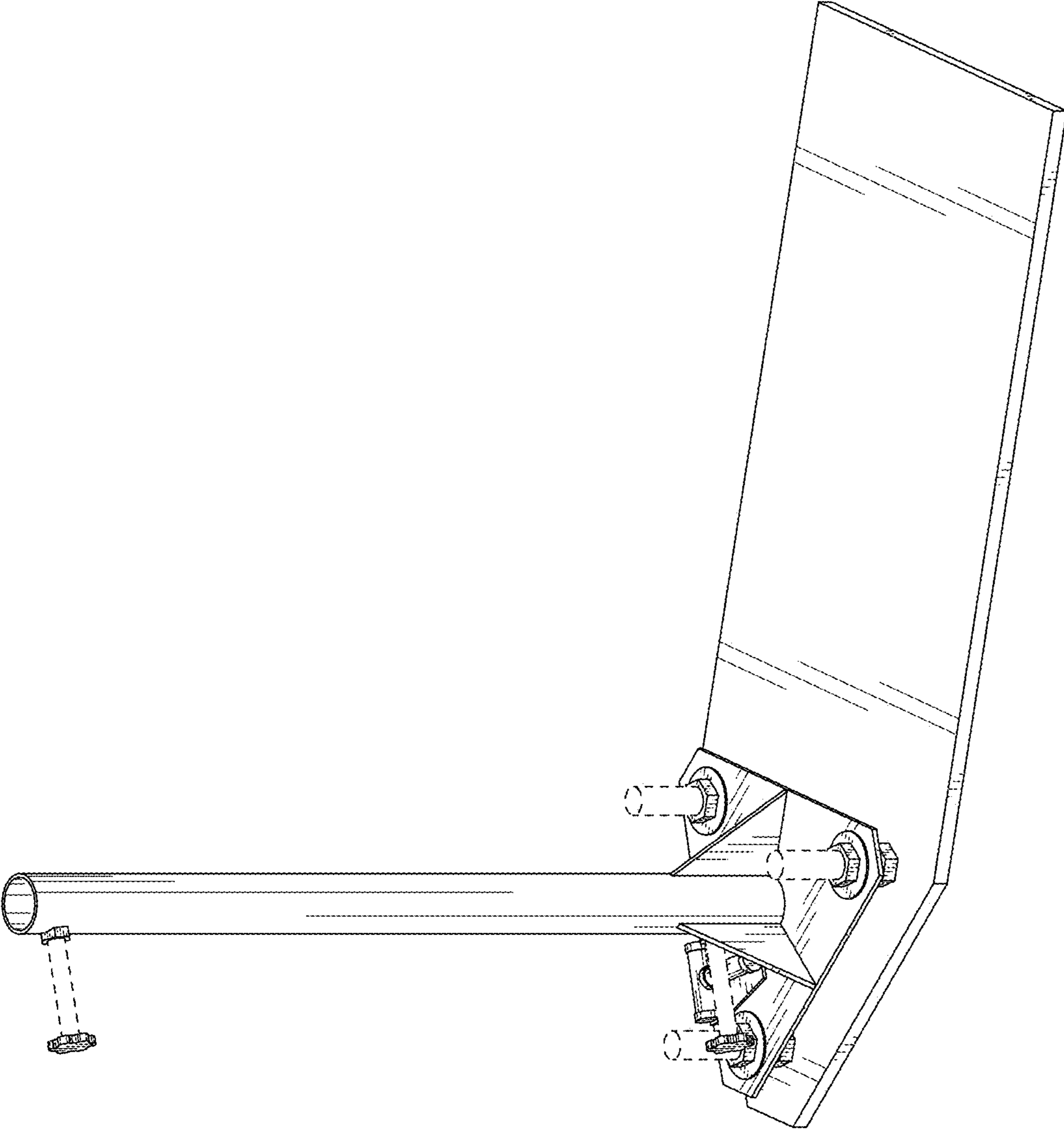


FIG. 1

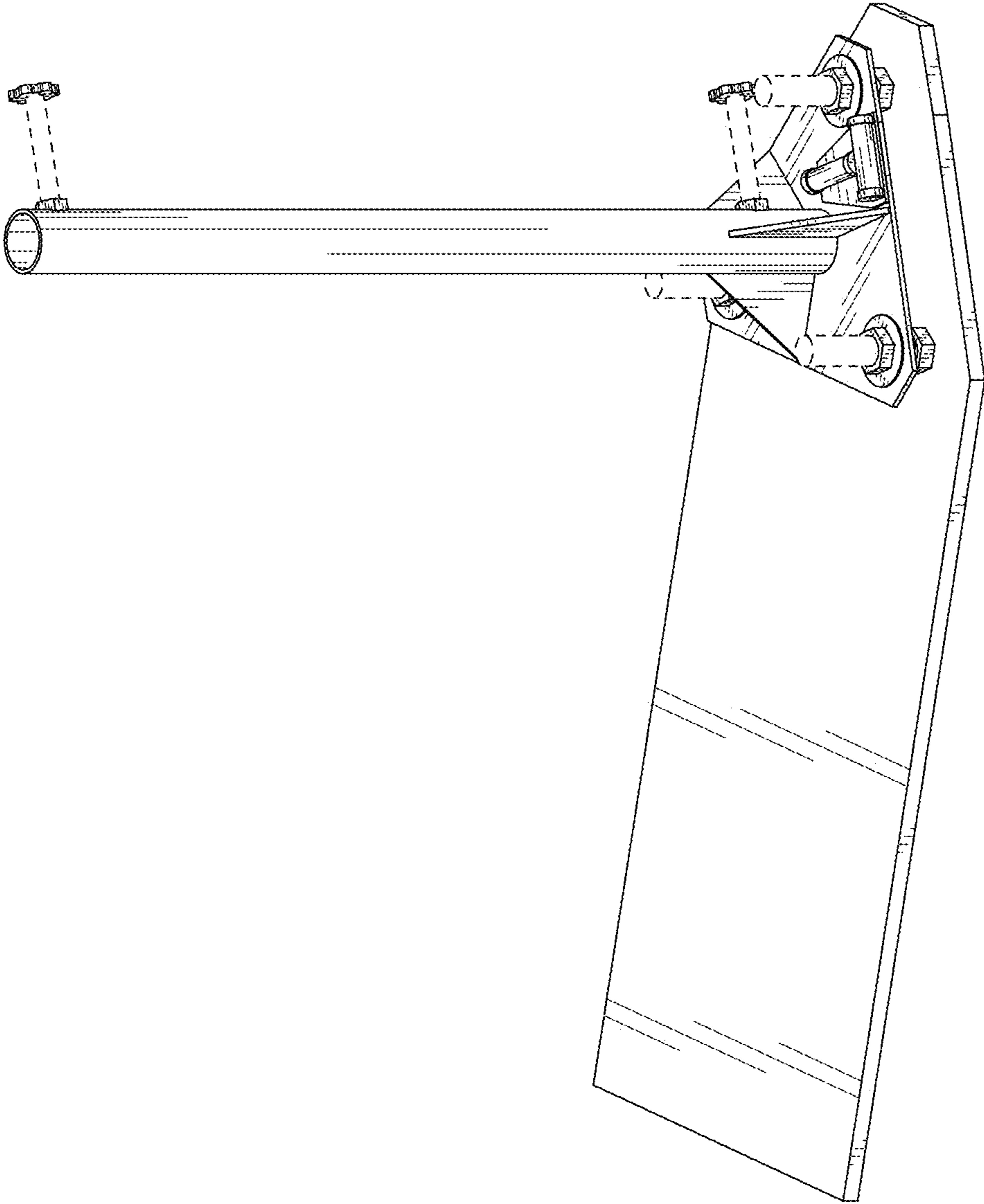


FIG. 2

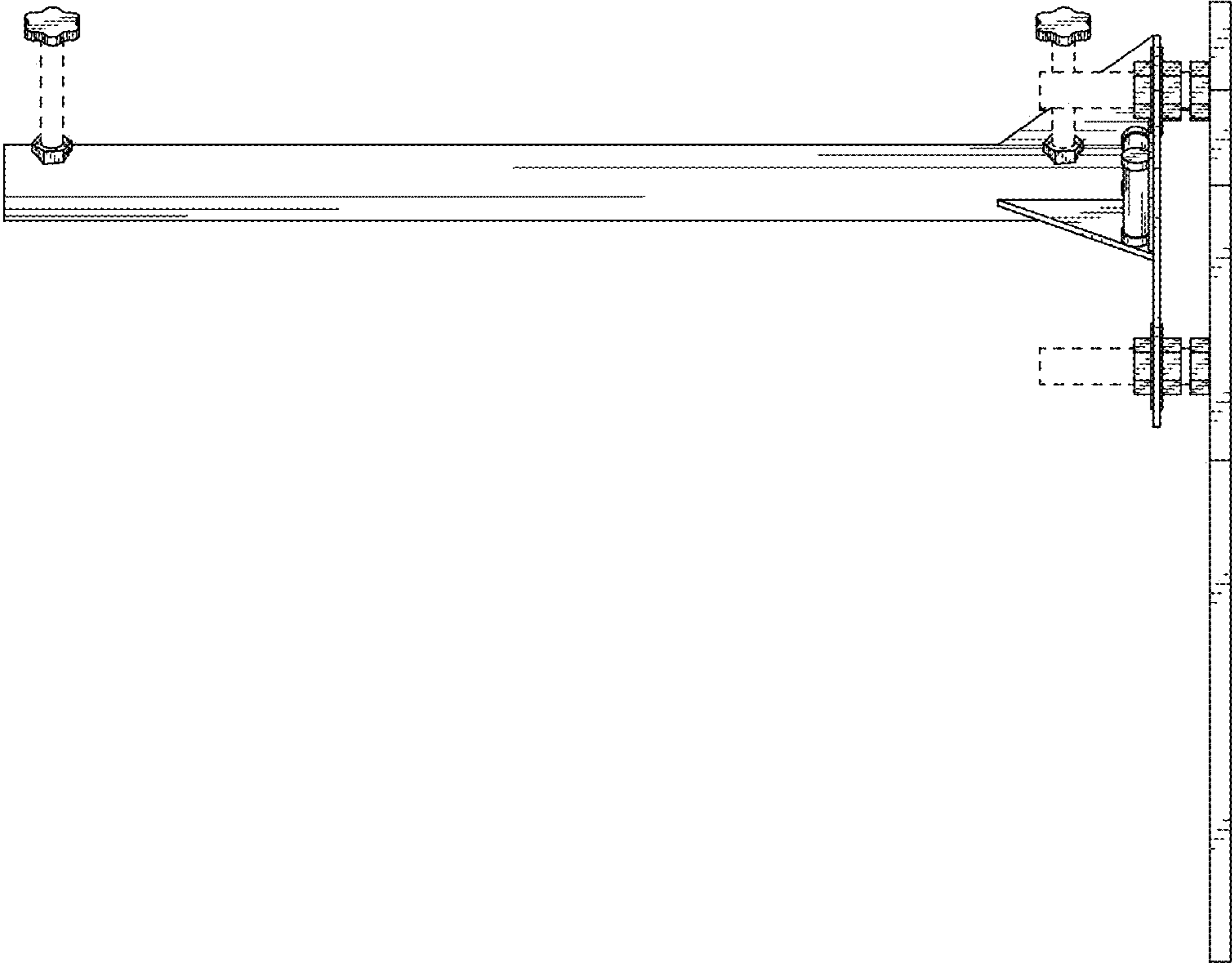


FIG. 3

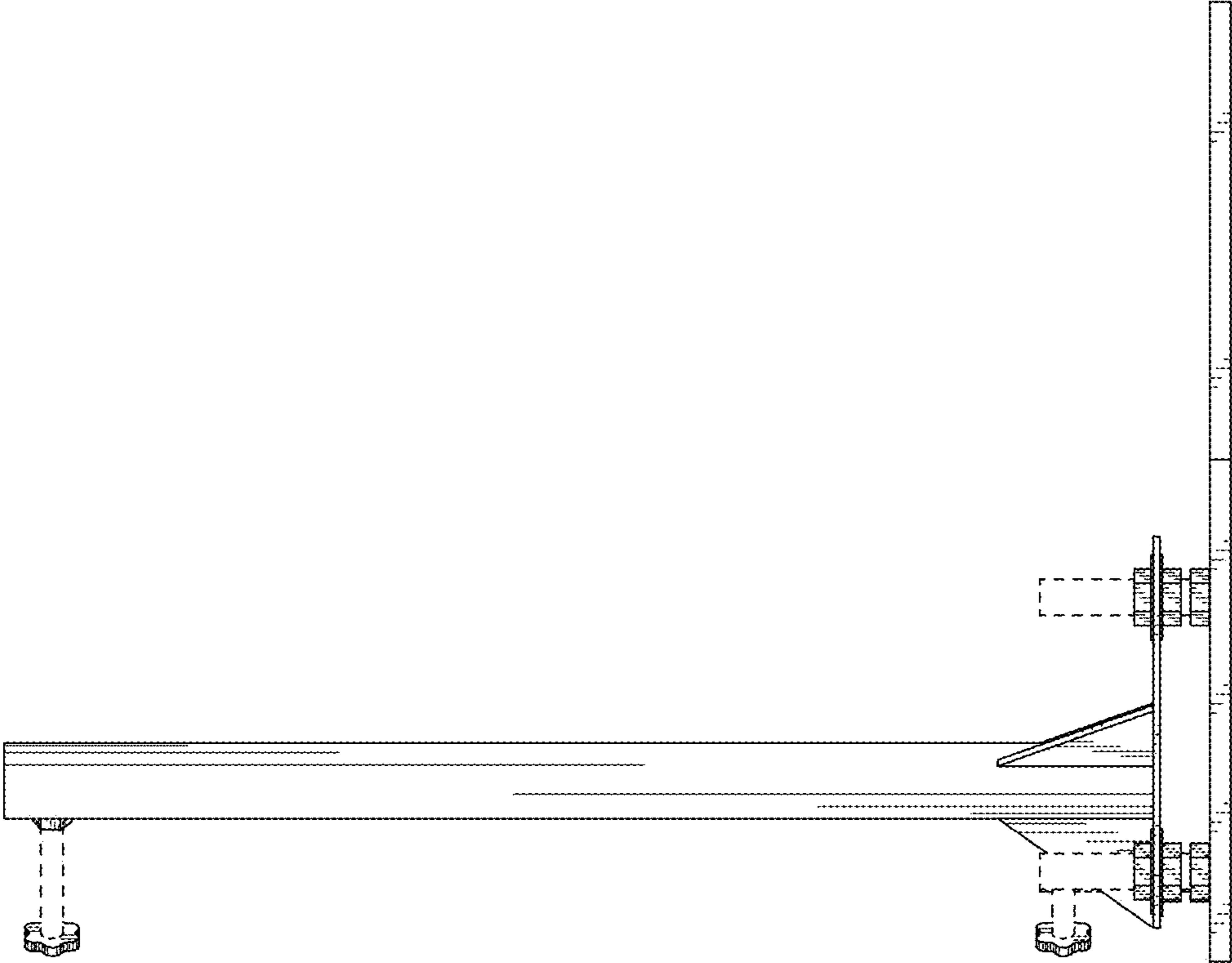


FIG. 4

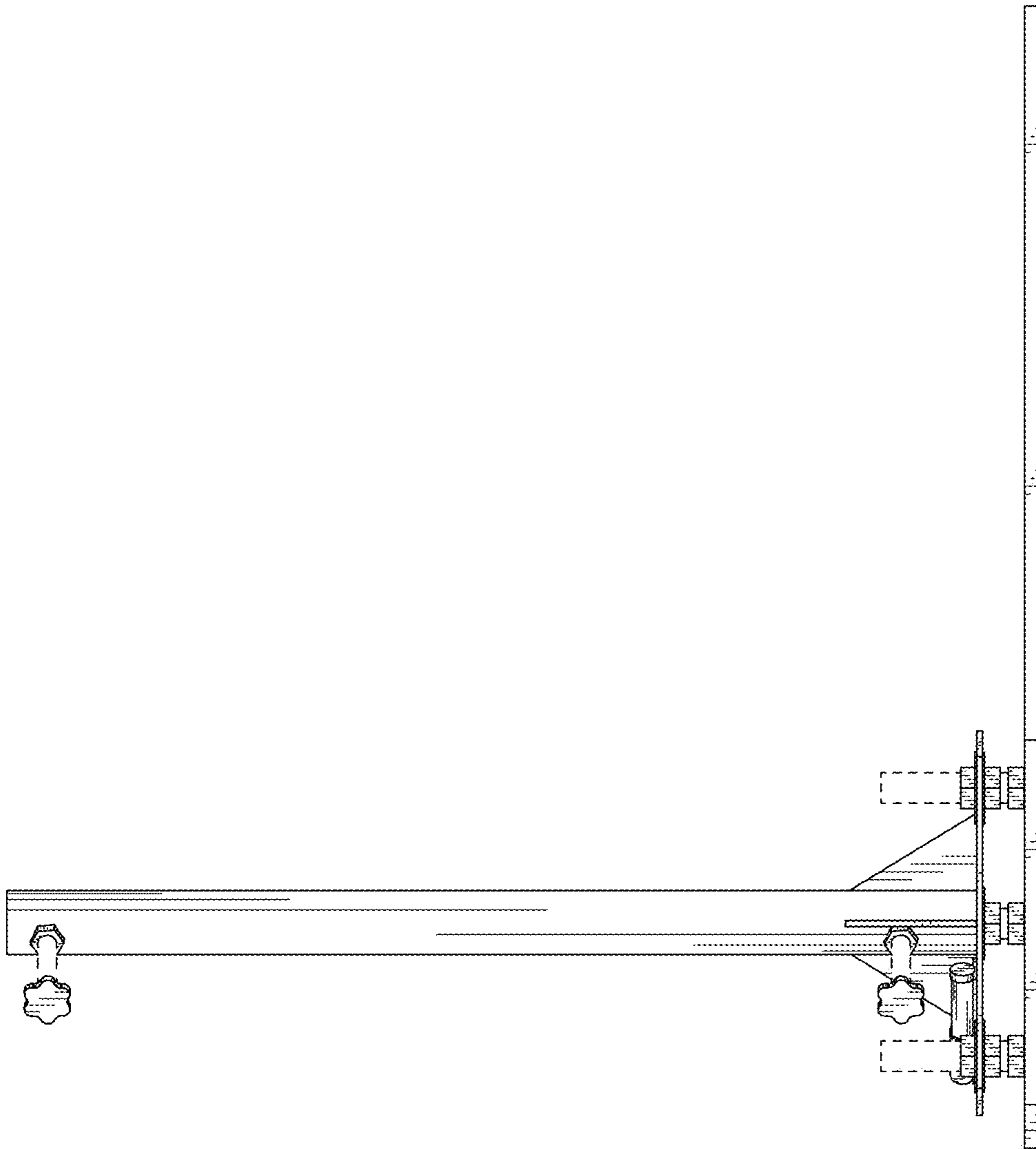


FIG. 5

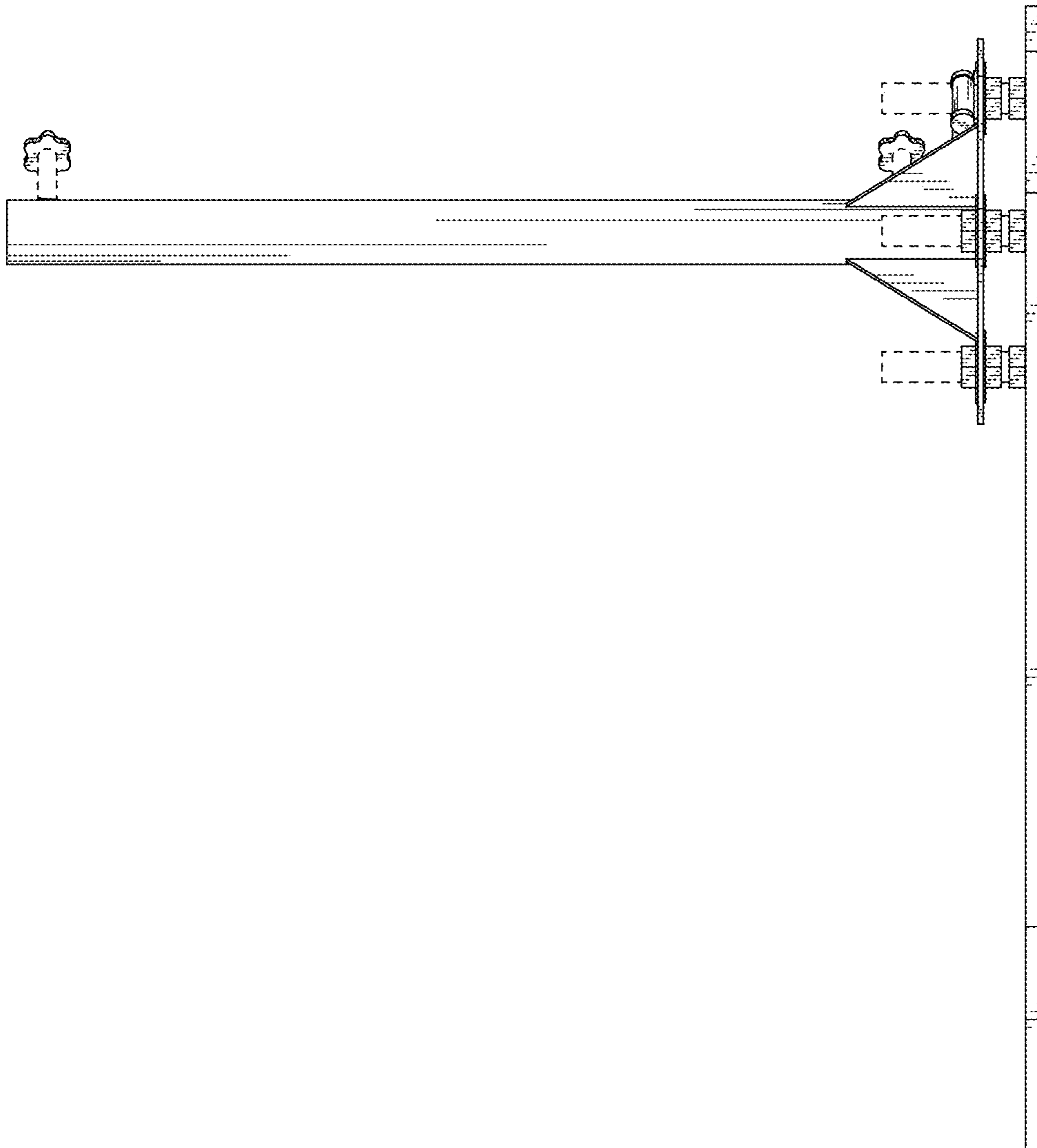


FIG. 6

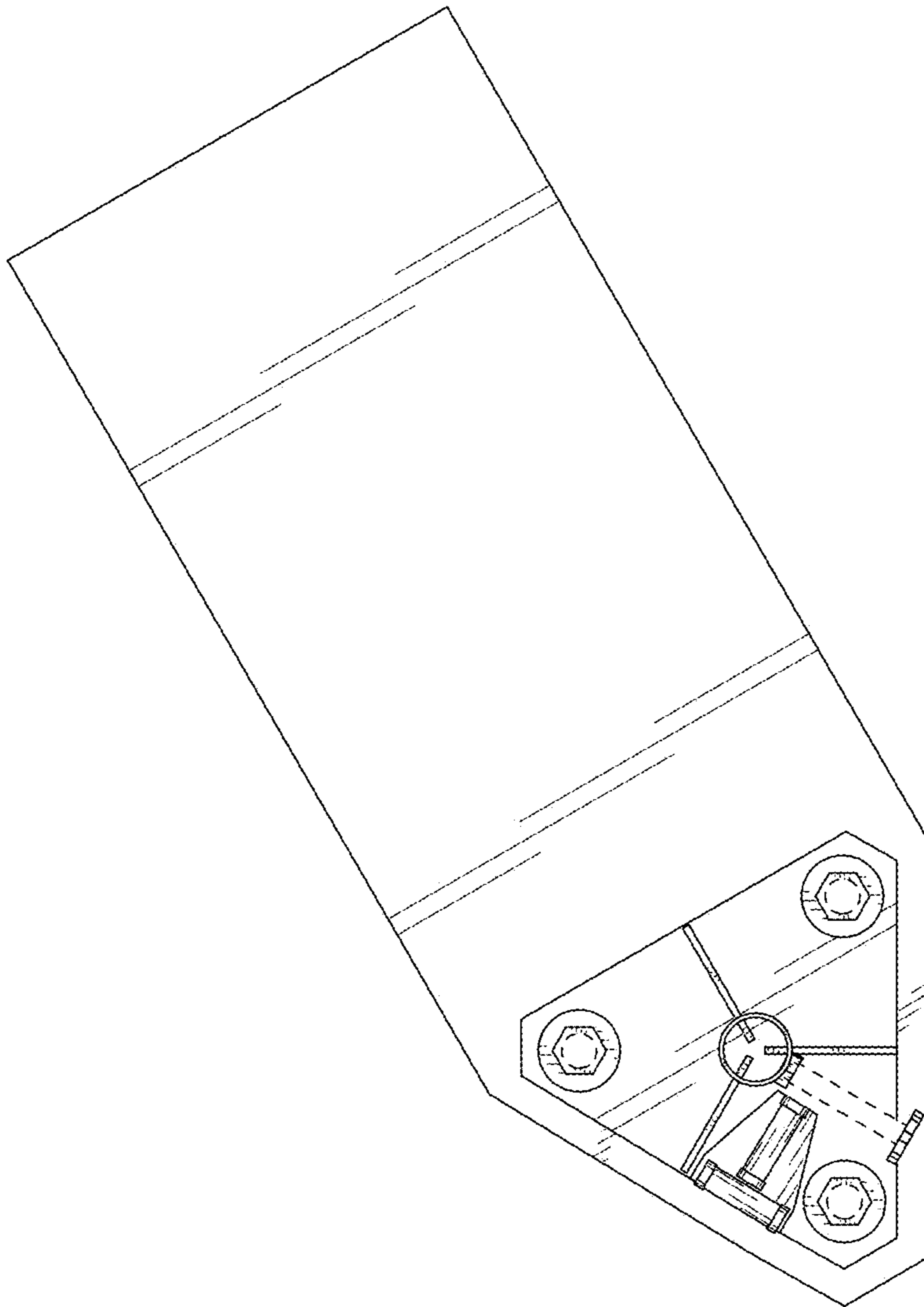


FIG. 7

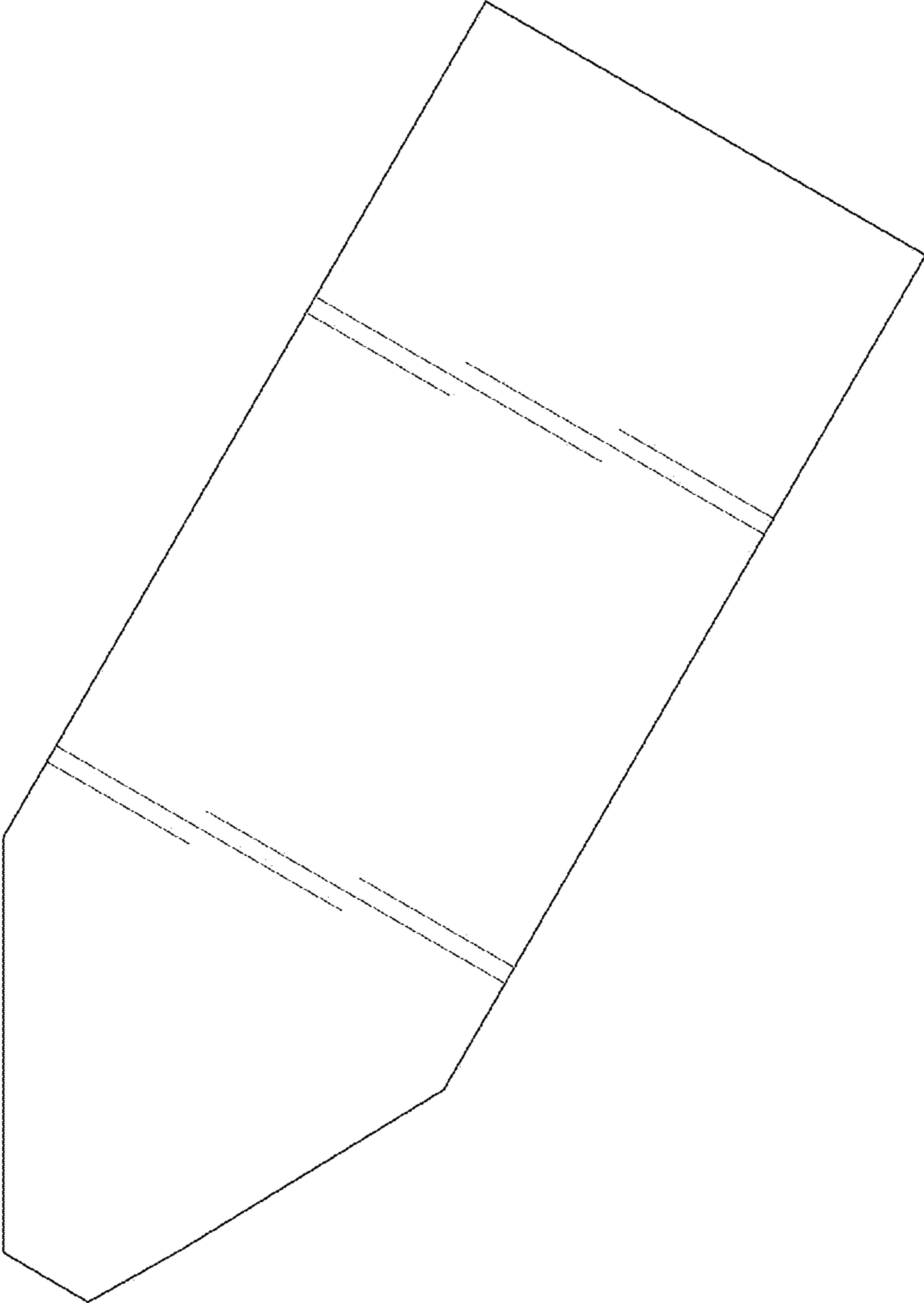


FIG. 8