



US00D929896S

(12) **United States Design Patent** (10) **Patent No.:** **US D929,896 S**
Zheng (45) **Date of Patent:** **** Sep. 7, 2021**

(54) **FLAGPOLE HOLDER**

(71) Applicant: **Jumei Zheng**, Wuhu (CN)

(72) Inventor: **Jumei Zheng**, Wuhu (CN)

(**) Term: **15 Years**

(21) Appl. No.: **29/752,353**

(22) Filed: **Sep. 26, 2020**

(51) **LOC (13) Cl.** **11-05**

(52) **U.S. Cl.**
USPC **D11/182**

(58) **Field of Classification Search**
USPC D8/373, 376, 380; D11/165, 166, 171, D11/182, 183, 184; D20/16, 17, 28, D20/41-43; D21/840; D22/147, 148
CPC G09F 17/00; G09F 2017/0008; G09F 2017/0025; G09F 2017/0041; G09F 2017/005; G09F 2017/0066; G09F 2017/0075; G09F 2017/0083
See application file for complete search history.

(56) **References Cited**

U.S. PATENT DOCUMENTS

D69,991 S *	4/1926	Fullerton	D20/42
1,672,134 A *	6/1928	Pitt	B60R 13/00
				116/175
8,215,807 B1 *	7/2012	Brunesti	G09F 17/00
				362/431
8,973,517 B1 *	3/2015	Bort	G09F 17/00
				116/173
D856,188 S	8/2019	Caple		
D896,693 S *	9/2020	Jennings, Jr.	D11/181
2003/0192467 A1 *	10/2003	Paris	G09F 17/00
				116/173
2006/0086308 A1 *	4/2006	Chen	G09F 17/00
				116/174

2013/0042800 A1 *	2/2013	Chen	G09F 17/00
				116/173
2013/0061797 A1 *	3/2013	Proctor	G09F 17/00
				116/173
2013/0319315 A1 *	12/2013	Chen	G09F 17/00
				116/173

FOREIGN PATENT DOCUMENTS

CN 305609669 * 2/2019

OTHER PUBLICATIONS

Ladder Flagpole Mount Black [online], [site visited Jul. 23, 2021]. Available from internet, URL: <<https://www.allflagsnpoles.com/shop/ladder-flagpole-mount-black/>> (Year: 2021).*
Ladder RV Mount [online], [site visited 00/00/2021]. Available from internet, URL: <<https://www.eventflags.com/ladder-rv-mount.html>> (Year: 2021).*

* cited by examiner

Primary Examiner — Cynthia Ramirez
Assistant Examiner — Xavier Marti-Santos

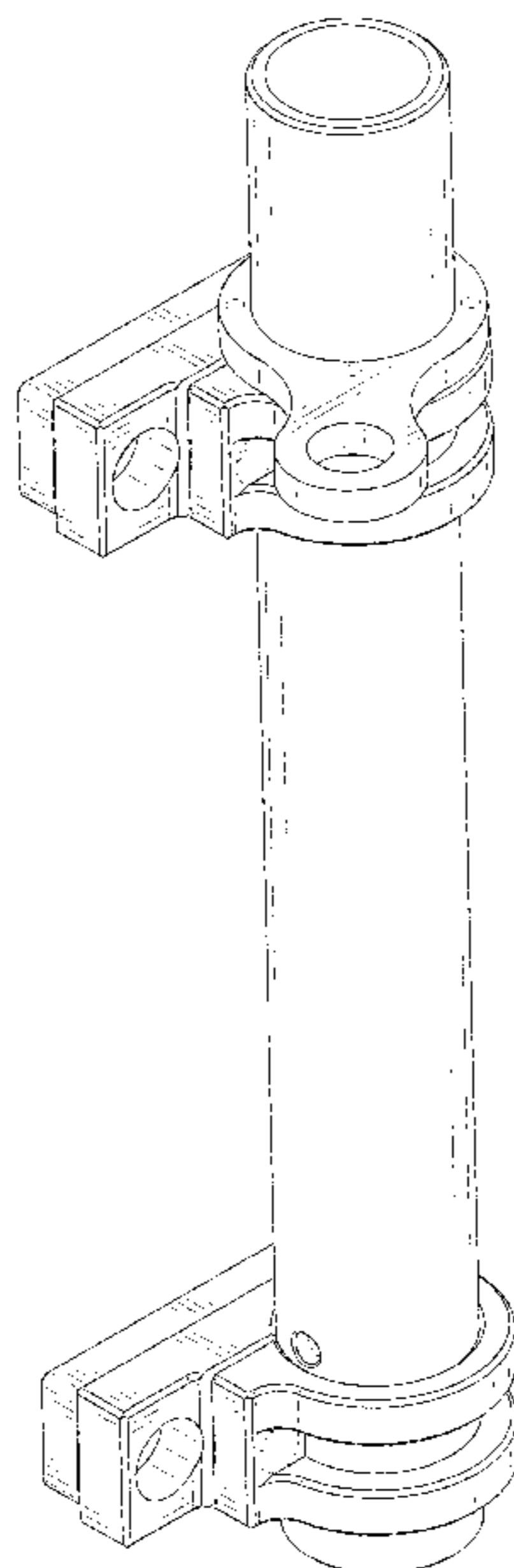
(57) **CLAIM**

The ornamental design for a flagpole holder, as shown and described.

DESCRIPTION

FIG. 1 is a perspective view of a flagpole holder showing my new design;
FIG. 2 is another perspective view thereof;
FIG. 3 is a front elevational view thereof;
FIG. 4 is a rear elevational view thereof;
FIG. 5 is a left side elevational view thereof;
FIG. 6 is a right side elevational view thereof;
FIG. 7 is a top plan view thereof; and,
FIG. 8 is a bottom plan view thereof.
The broken lines in the drawings depict portions of the flagpole holder that form no part of the claimed design.

1 Claim, 8 Drawing Sheets



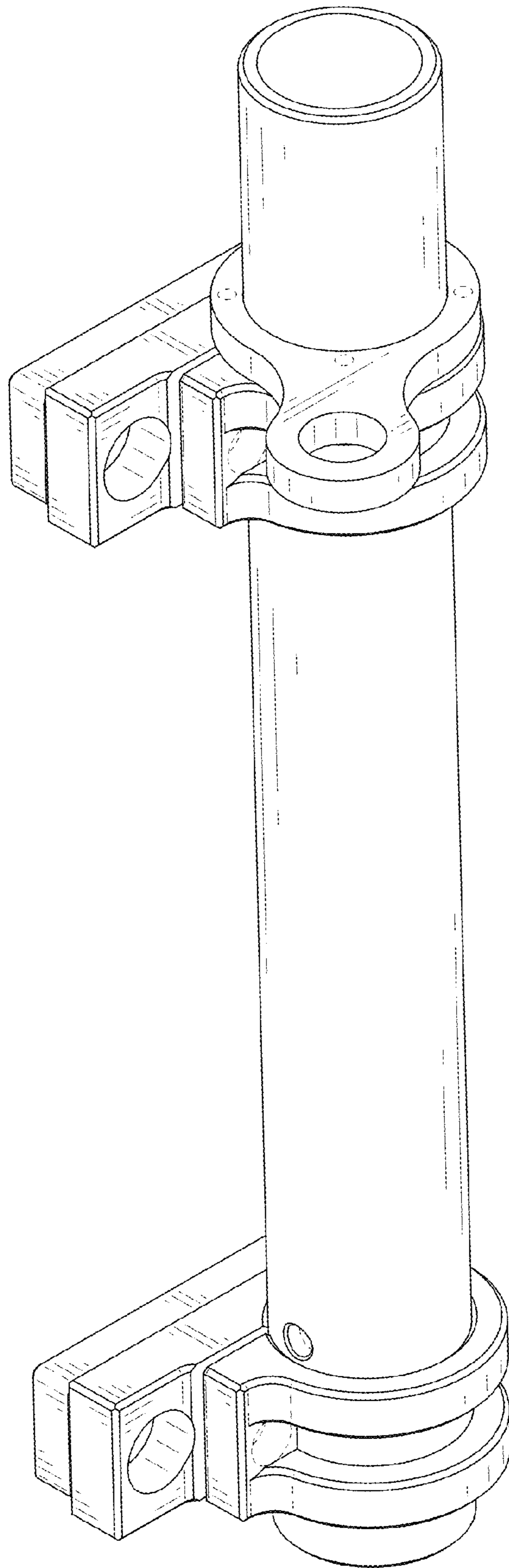


FIG. 1

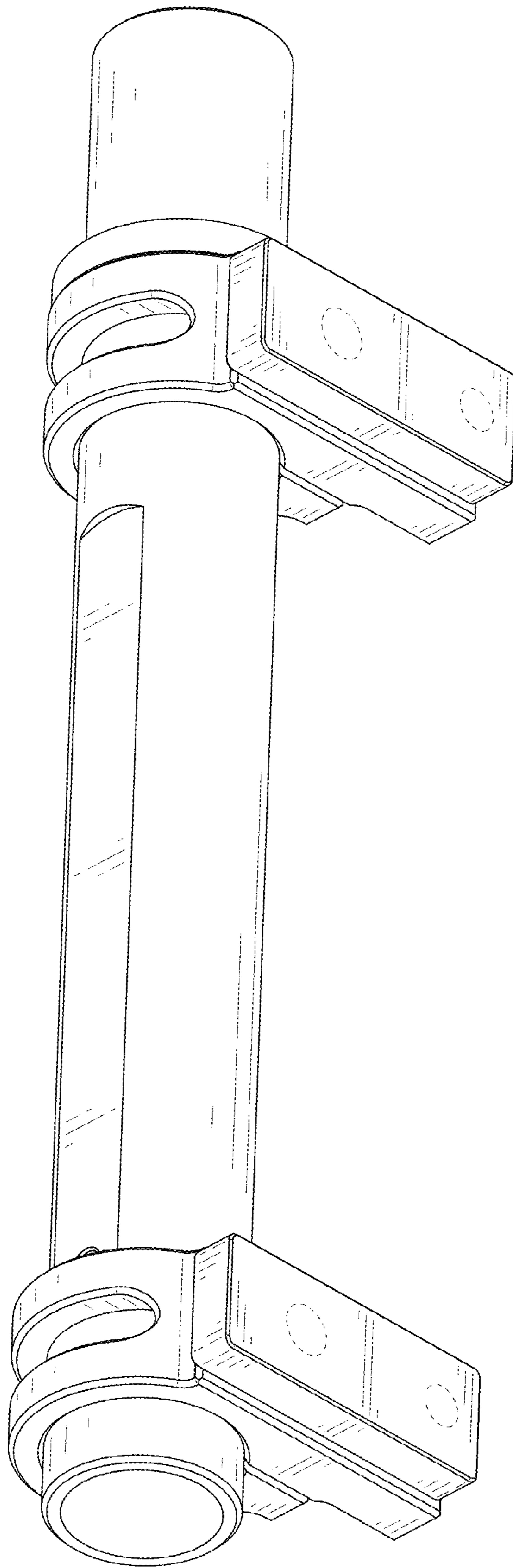


FIG. 2

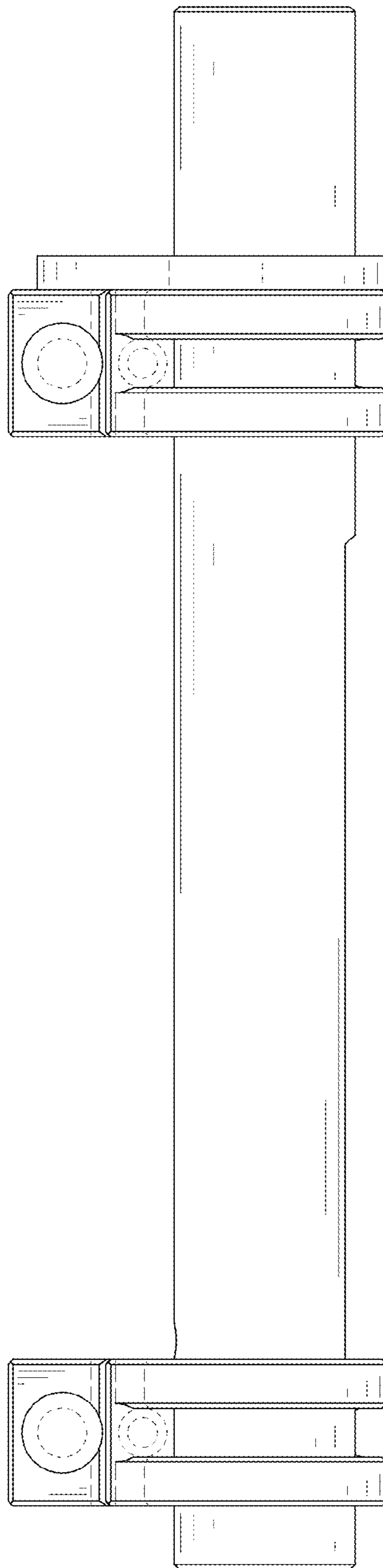


FIG. 3

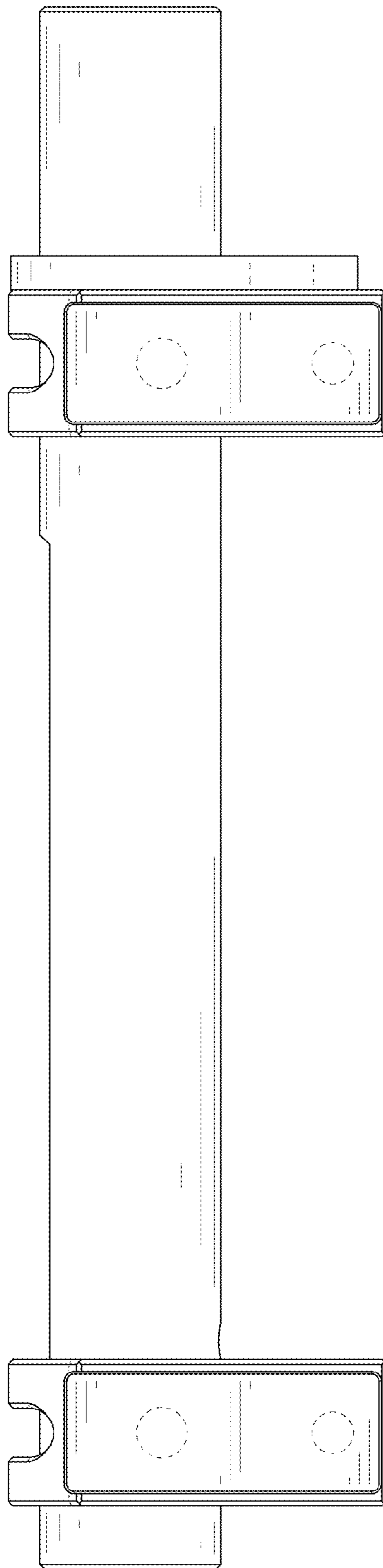


FIG. 4

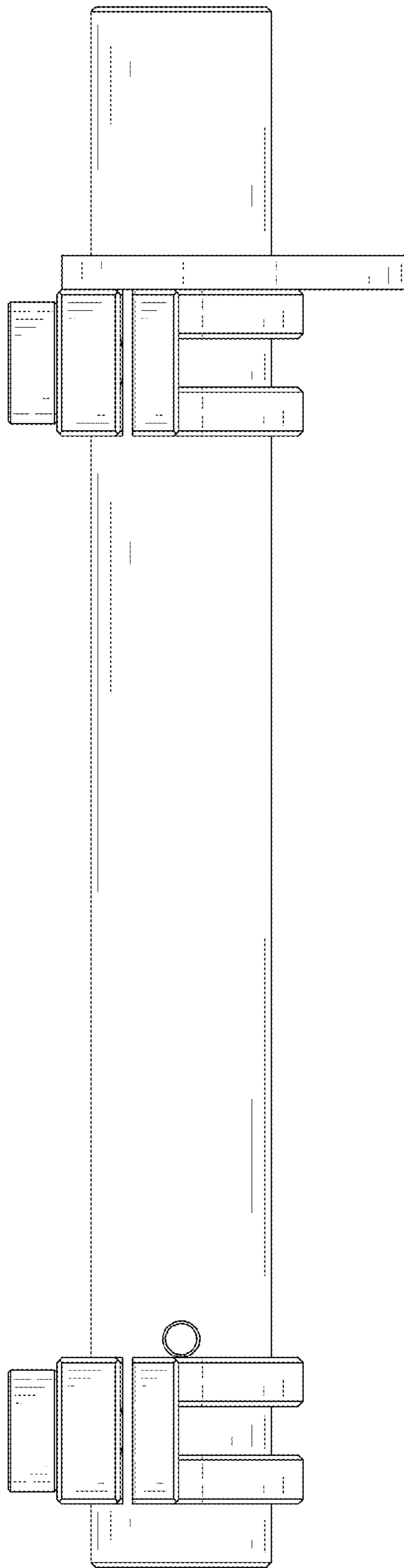


FIG. 5

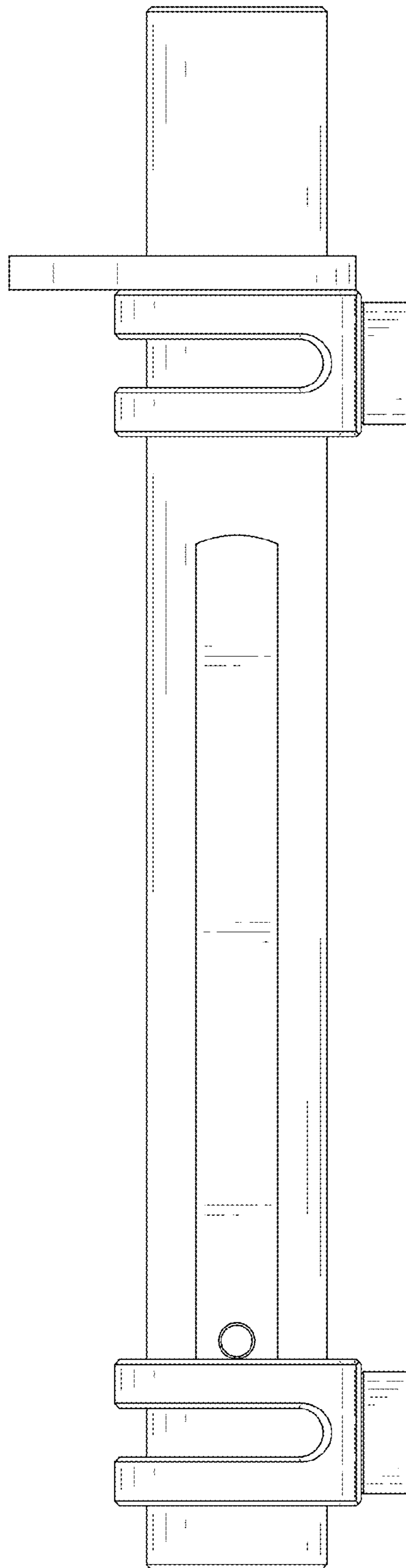


FIG. 6

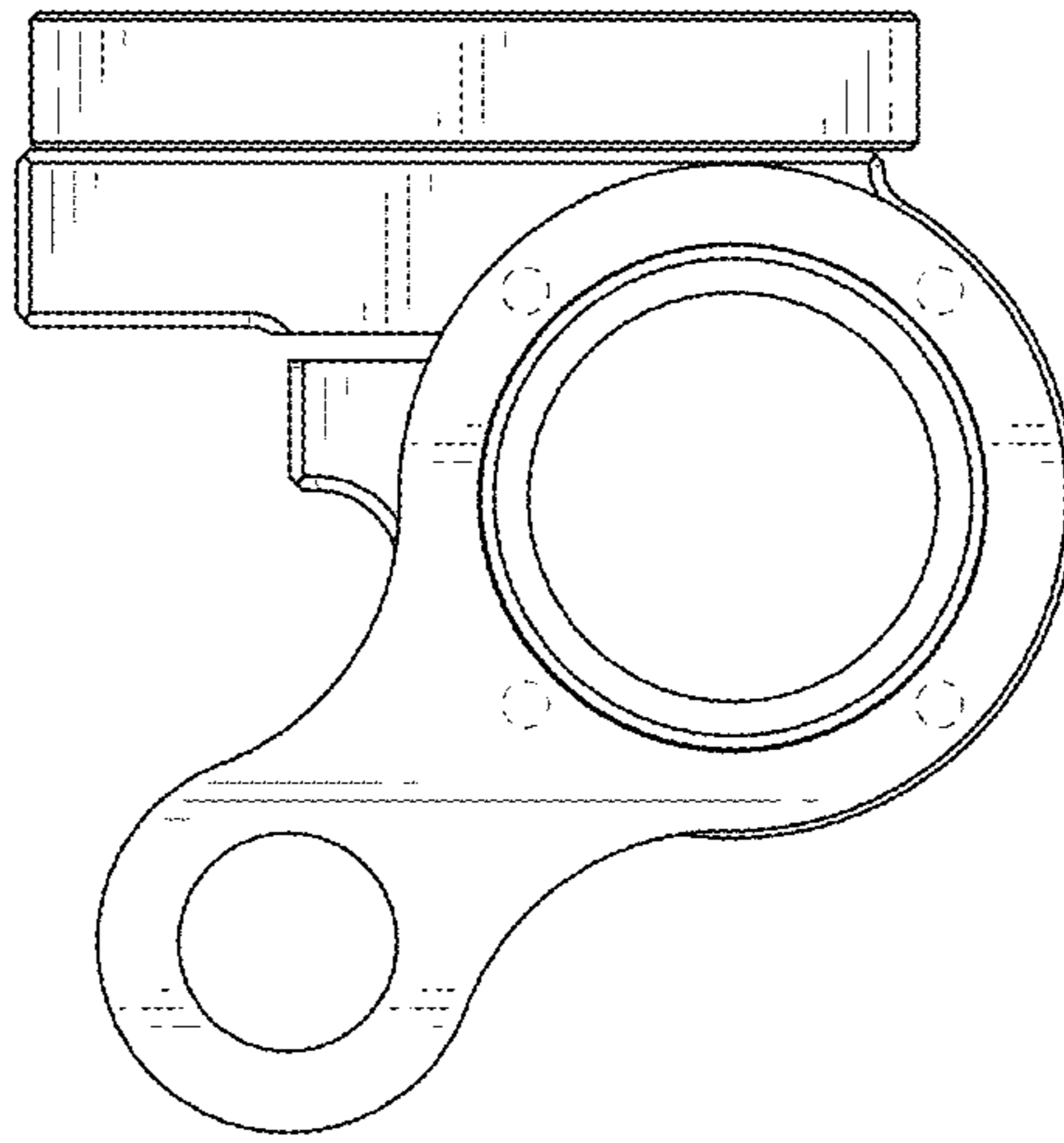


FIG. 7

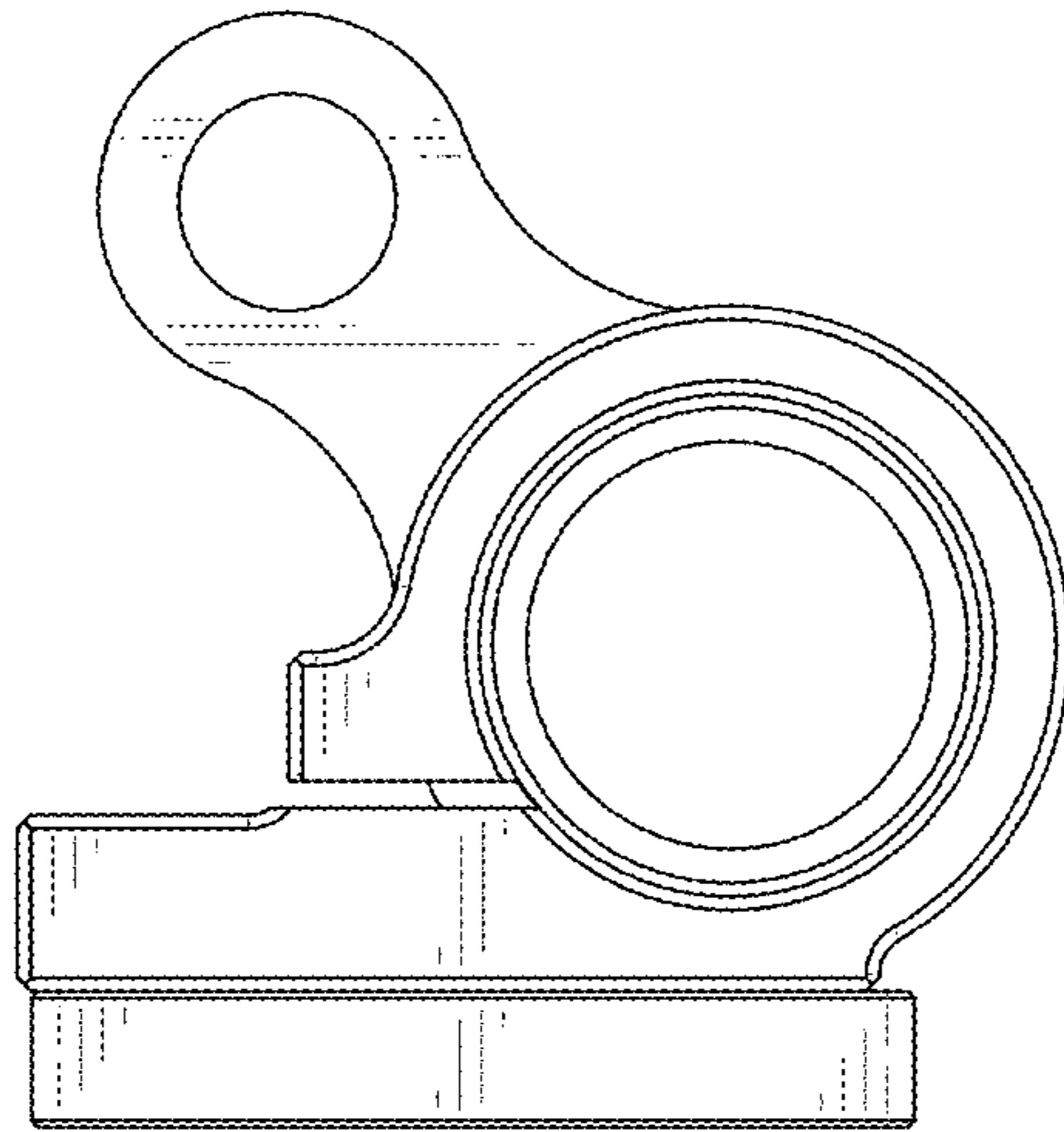


FIG. 8