



US00D929888S

(12) **United States Design Patent**
Morin

(10) **Patent No.:** **US D929,888 S**

(45) **Date of Patent:** **** Sep. 7, 2021**

- (54) **ARTICLE OF JEWELRY**
- (71) Applicant: **CARTIER INTERNATIONAL AG,**
Steinhausen (CH)
- (72) Inventor: **Flora Morin,** Conflans Sainte Honorine
(FR)
- (73) Assignee: **CARTIER INTERNATIONAL AG,**
Steinhausen (CH)
- (**) Term: **15 Years**
- (21) Appl. No.: **29/766,829**
- (22) Filed: **Jan. 19, 2021**

Related U.S. Application Data

- (62) Division of application No. 29/684,856, filed on Mar. 25, 2019, now Pat. No. Des. 909,232.

(30) **Foreign Application Priority Data**

Sep. 28, 2018 (WO) WIPO75912

(51) **LOC (13) Cl.** **11-01**

(52) **U.S. Cl.**
USPC **D11/26**

(58) **Field of Classification Search**
USPC D11/1-17, 26, 28, 34, 37, 38, 39, 40
CPC A44C 9/00
See application file for complete search history.

(56) **References Cited**

U.S. PATENT DOCUMENTS

- 430,295 A * 6/1890 Mathewson A44C 11/002
D11/11
- 431,804 A * 7/1890 Edge A44C 11/00
D11/17
- D68,149 S * 9/1925 Lindeberg D11/34
- D78,900 S * 7/1929 Saccoccia D11/17

- 1,841,375 A * 1/1932 Meyer A44C 5/0092
D11/4
- D109,704 S * 5/1938 Dinhofer D11/34
- D120,368 S * 5/1940 Welling D11/2
- D157,634 S * 3/1950 Schaeffer D11/34
- D162,110 S * 2/1951 Armbrust D11/15
- D178,440 S * 7/1956 Welebny D11/4
- D181,920 S * 1/1958 Armbrust D11/12
- D358,562 S * 5/1995 Bulgari D11/3
- D359,926 S * 7/1995 Plummer D11/4
- D365,038 S * 12/1995 Merritt D11/26
- D505,633 S * 5/2005 Hardy D11/26
- D516,450 S * 3/2006 Carnegie D11/6
- D581,306 S * 11/2008 So D11/13
- D581,307 S * 11/2008 So D11/13
- D584,983 S * 1/2009 So D11/13
- D719,049 S * 12/2014 Wempe D11/34
- D729,683 S * 5/2015 Wempe D11/26
- D729,684 S * 5/2015 Wempe D11/34
- D732,995 S * 6/2015 Wempe D11/34
- D734,685 S * 7/2015 Barresi D11/3

(Continued)

Primary Examiner — Llorellys Martinez

(74) *Attorney, Agent, or Firm* — Oliff PLC

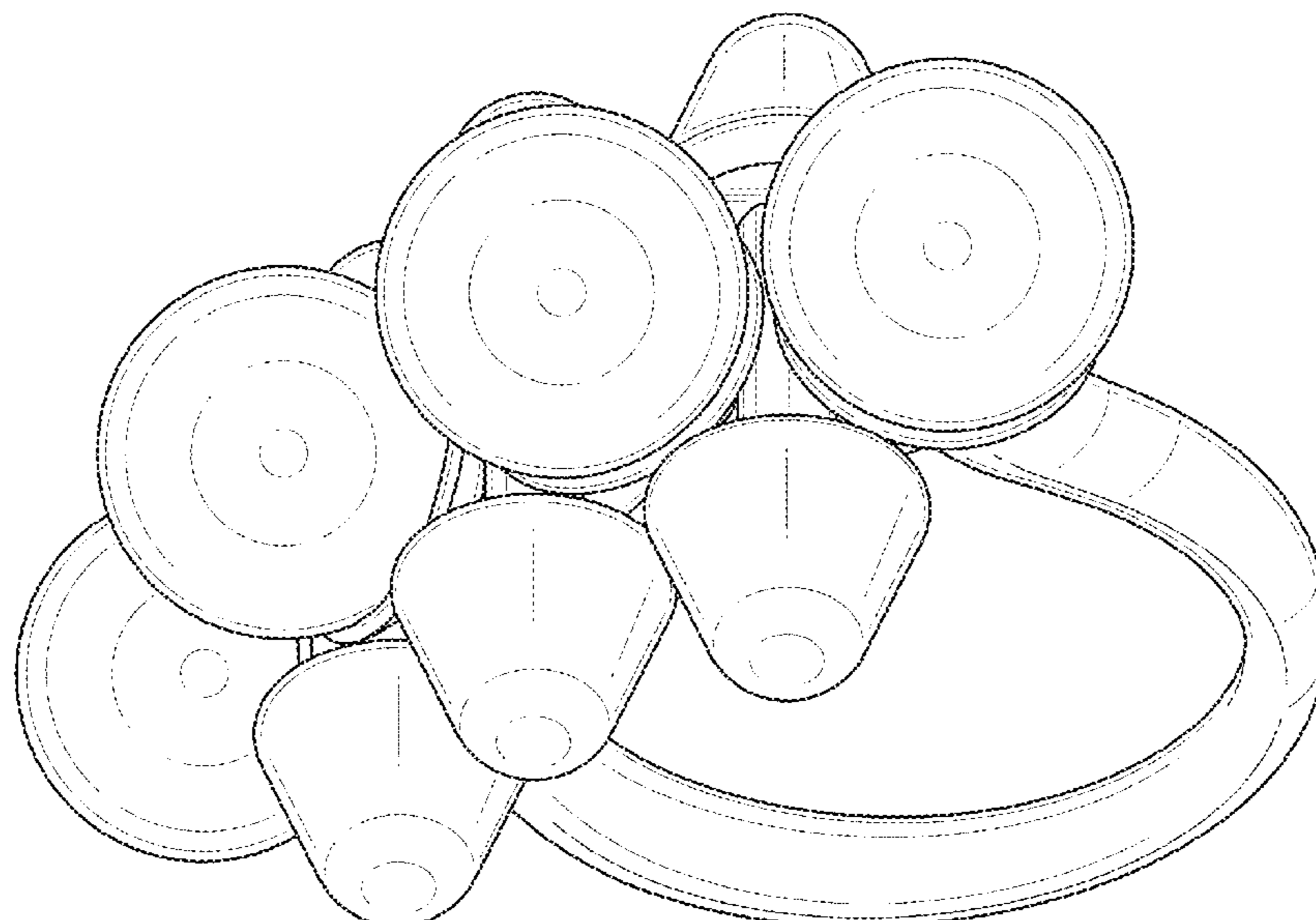
(57) **CLAIM**

The ornamental design for an article of jewelry, as shown and described.

DESCRIPTION

FIG. 1 is a front elevational view of an article of jewelry, showing the new design;
FIG. 2 is a rear elevational view thereof;
FIG. 3 is a top plan view thereof;
FIG. 4 is a bottom plan view thereof;
FIG. 5 is a left-side elevational view thereof;
FIG. 6 is a right-side elevational view thereof; and,
FIG. 7 is a front perspective view thereof.
The broken lines in the drawings illustrate portions of the article of jewelry that form no part of the claimed design.

1 Claim, 7 Drawing Sheets



(56)

References Cited

U.S. PATENT DOCUMENTS

D791,635 S *	7/2017	Hardy	D11/3
D820,715 S *	6/2018	Le Bail	D11/34
D824,274 S *	7/2018	Trafton	D11/3
D825,369 S *	8/2018	Izen	D11/3
D909,232 S *	2/2021	Morin	D11/16
D912,564 S *	3/2021	Morin	D11/6
D913,143 S *	3/2021	Yamada	D11/26
D913,144 S *	3/2021	Yamada	D11/40
D921,517 S *	6/2021	Morin	D11/26

* cited by examiner

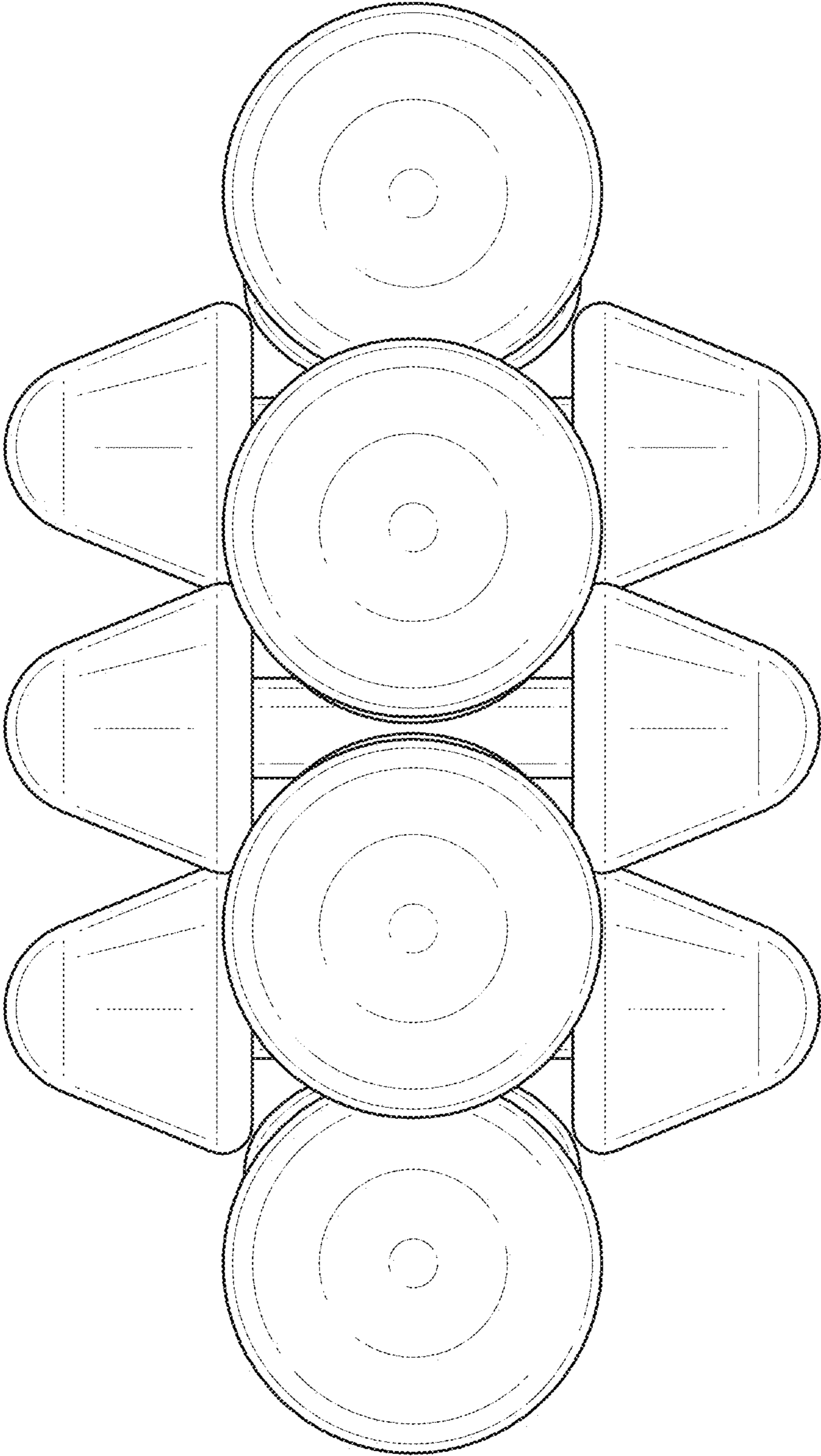


FIG. 1

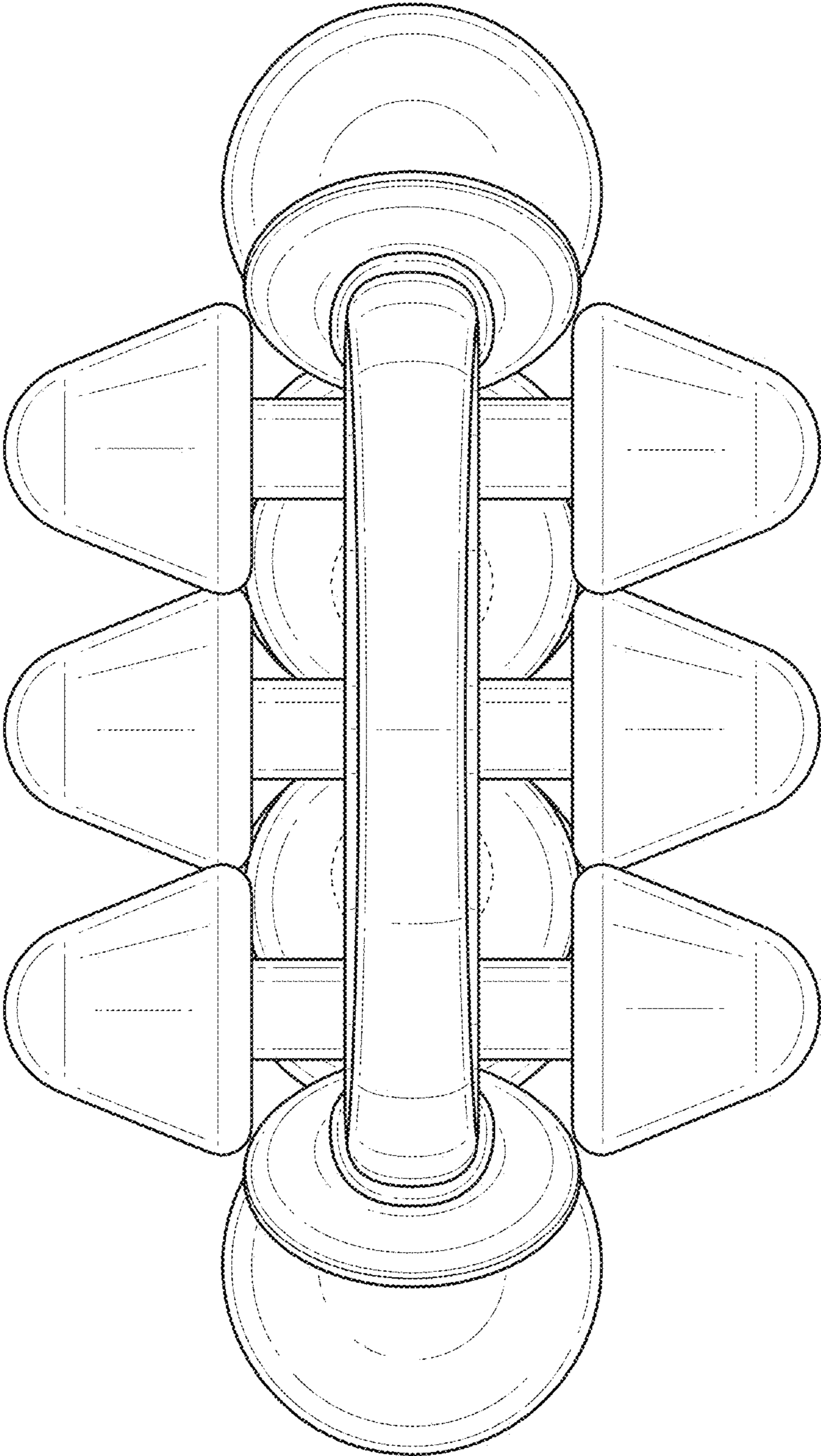


FIG. 2

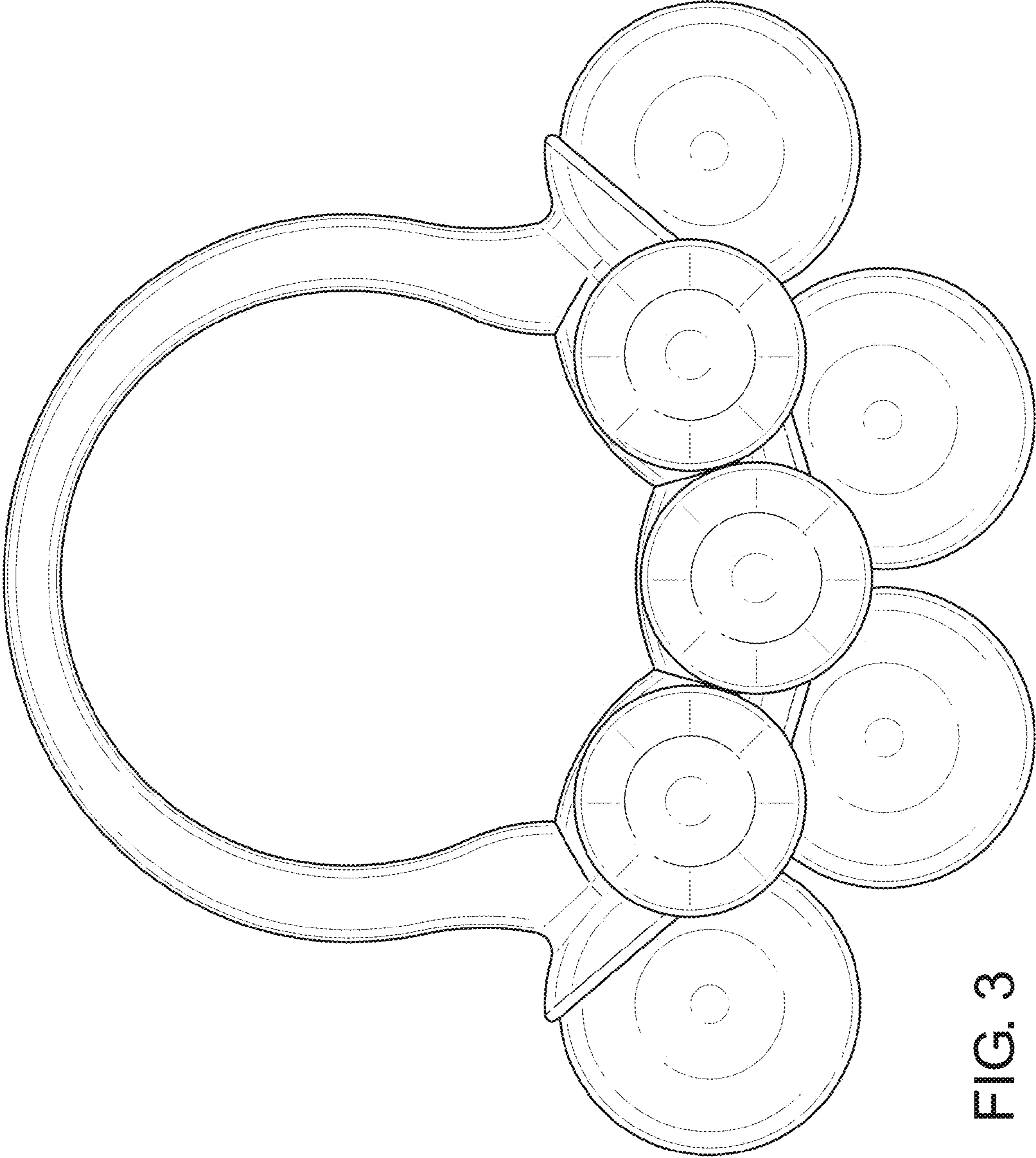


FIG. 3

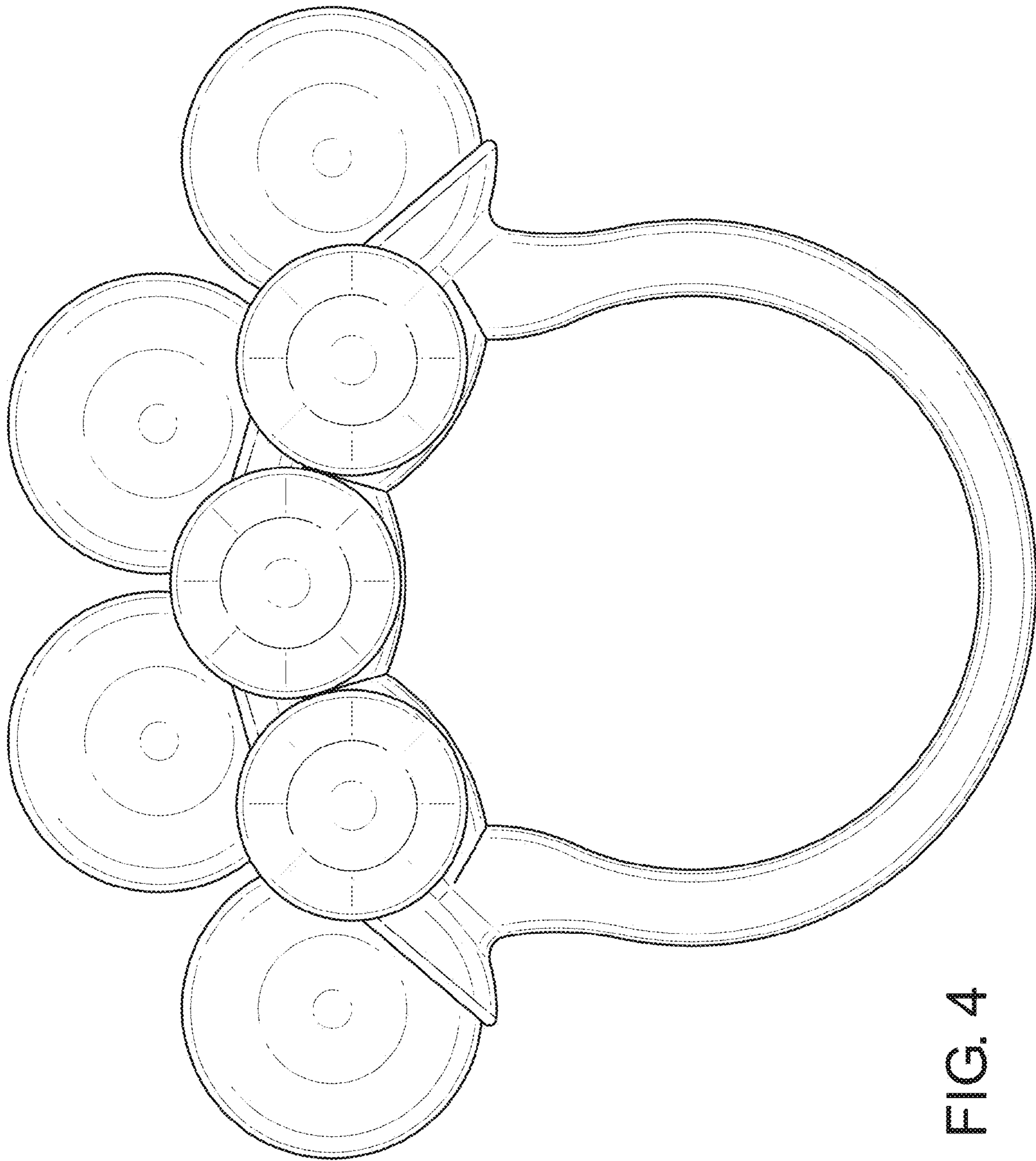


FIG. 4

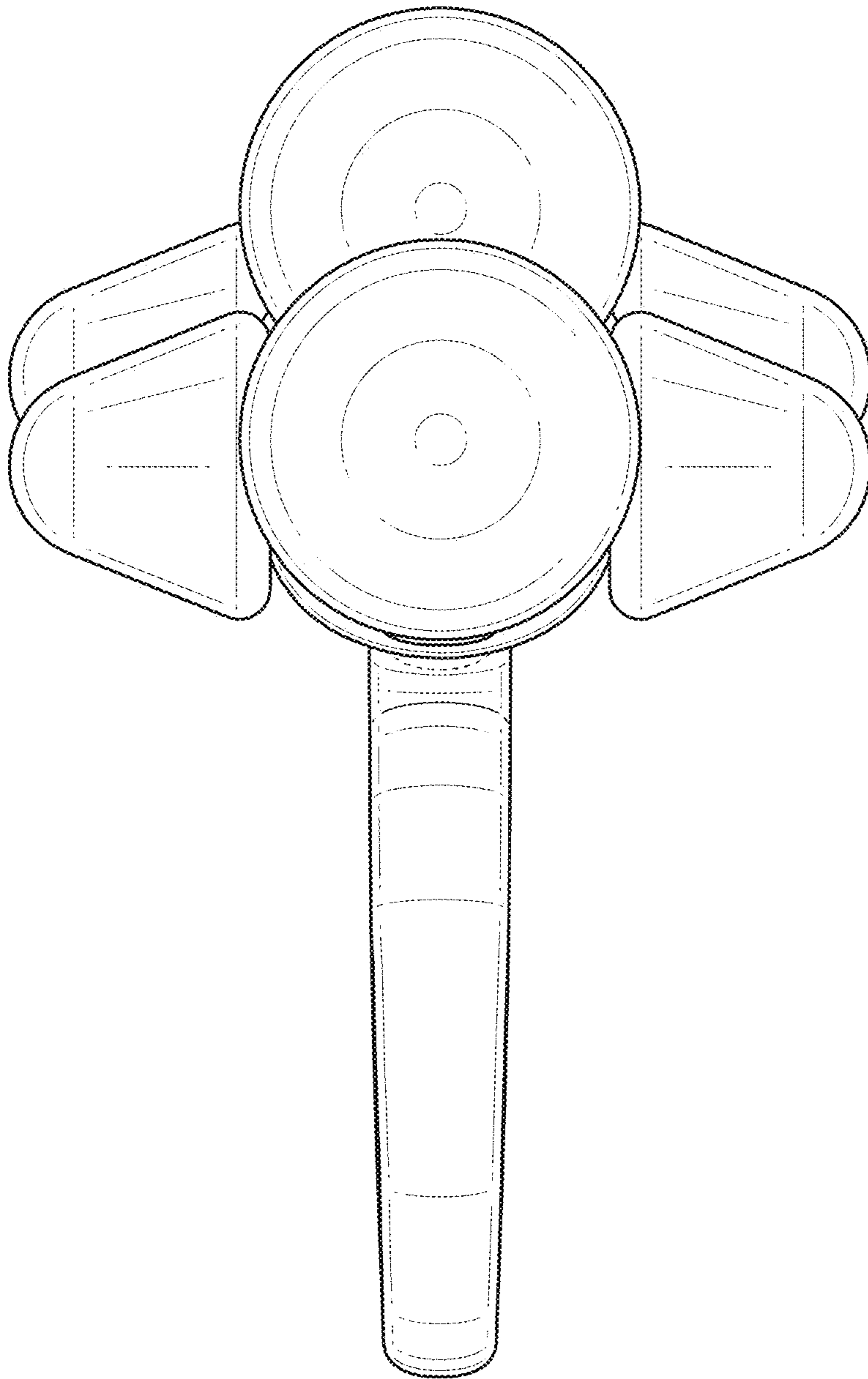


FIG. 5

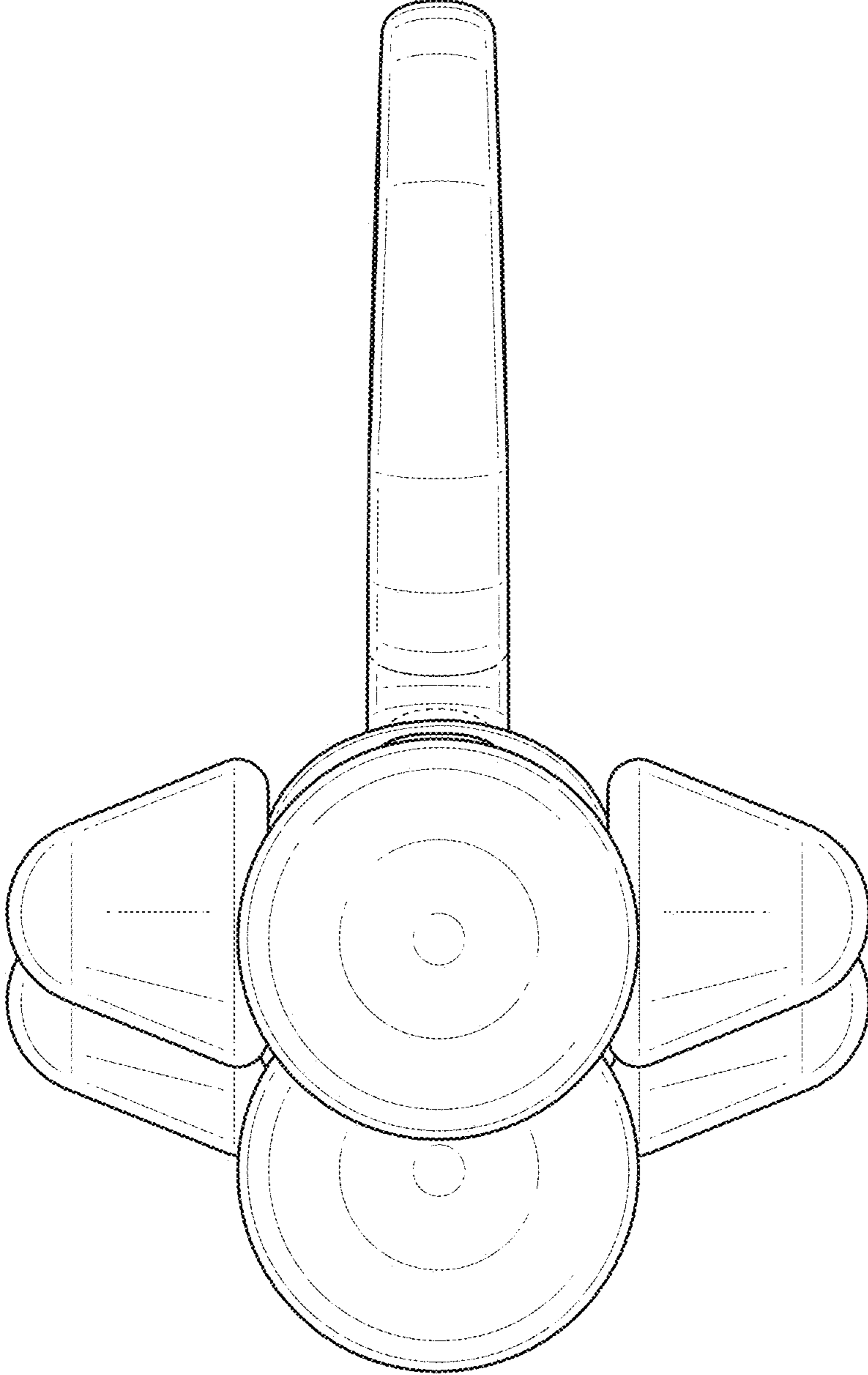


FIG. 6

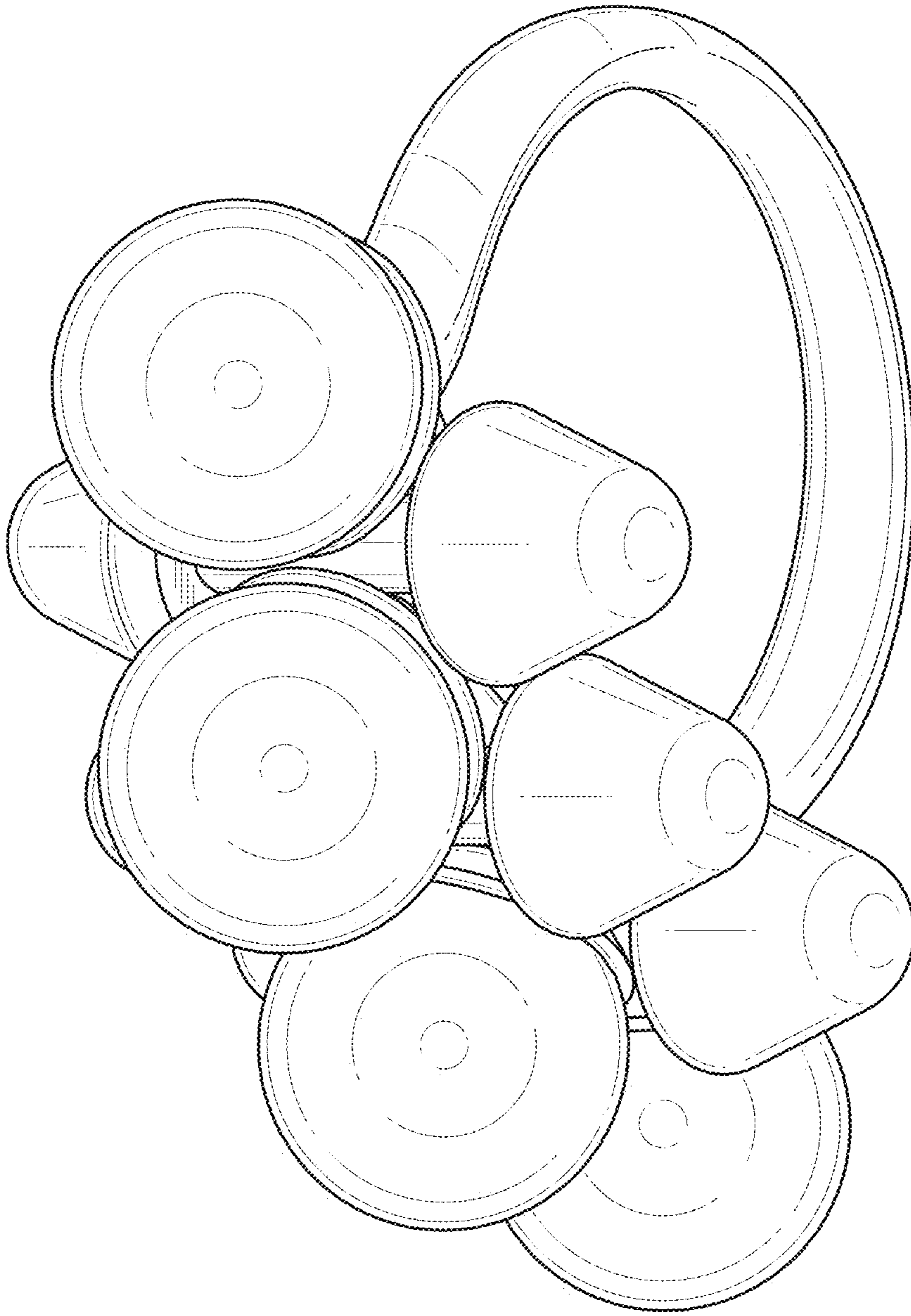


FIG. 7