



US00D929887S

(12) **United States Design Patent**
Morin

(10) **Patent No.:** **US D929,887 S**

(45) **Date of Patent:** **** Sep. 7, 2021**

- (54) **ARTICLE OF JEWELRY**
- (71) Applicant: **CARTIER INTERNATIONAL AG,**
Steinhausen (CH)
- (72) Inventor: **Flora Morin,** Conflans Sainte Honorine
(FR)
- (73) Assignee: **CARTIER INTERNATIONAL AG,**
Steinhausen (CH)
- (**) Term: **15 Years**
- (21) Appl. No.: **29/766,853**
- (22) Filed: **Jan. 19, 2021**

| | | | | |
|----------------|---------|-----------|-------|-------------|
| 442,917 A * | 12/1890 | Reynolds | | A44C 11/00 |
| | | | | D11/16 |
| D32,439 S * | 4/1900 | Gay | | D11/12 |
| D78,900 S * | 7/1929 | Saccoccia | | D11/17 |
| 1,841,375 A * | 1/1932 | Meyer | | A44C 5/0092 |
| | | | | 63/3 |
| D109,704 S * | 5/1938 | Dinhofer | | D11/34 |
| D120,368 S * | 5/1940 | Welling | | D10/32 |
| D162,110 S * | 2/1951 | Armbrust | | D11/15 |
| D181,920 S * | 1/1958 | Armbrust | | D11/12 |
| D329,399 S * | 9/1992 | Bulgari | | D11/4 |
| 6,220,010 B1 * | 4/2001 | Gomez | | A44C 17/04 |
| | | | | 59/80 |
| D452,456 S * | 12/2001 | Cabarbaye | | D11/3 |
| D505,633 S * | 5/2005 | Hardy | | D11/26 |
| D652,336 S * | 1/2012 | Molik | | D11/3 |
| D691,505 S * | 10/2013 | Fillon | | D11/3 |
| D719,049 S * | 12/2014 | Wempe | | D11/34 |
| D720,645 S * | 1/2015 | Wempe | | D11/34 |
| D729,683 S * | 5/2015 | Wempe | | D11/26 |
| D729,684 S * | 5/2015 | Wempe | | D11/34 |

Related U.S. Application Data

- (62) Division of application No. 29/684,856, filed on Mar. 25, 2019, now Pat. No. Des. 909,232.

Foreign Application Priority Data

- Sep. 28, 2018 (WO) 75912
- (51) **LOC (13) Cl.** **11-01**
- (52) **U.S. Cl.**
USPC **D11/16**
- (58) **Field of Classification Search**
USPC D11/1-20, 26, 34, 86, 91, 92, 93
CPC A44C 5/02; A44C 5/102; A44C 5/105;
A44C 5/107; A44C 17/02; A44C 13/00;
A44C 9/00
See application file for complete search history.

References Cited

U.S. PATENT DOCUMENTS

- 430,295 A * 6/1890 Mathewson A44C 11/002
D11/11
- 431,804 A * 7/1890 Edge A44C 11/00
D11/17

(Continued)

Primary Examiner — Llorellys Martinez

(74) *Attorney, Agent, or Firm* — Oliff PLC

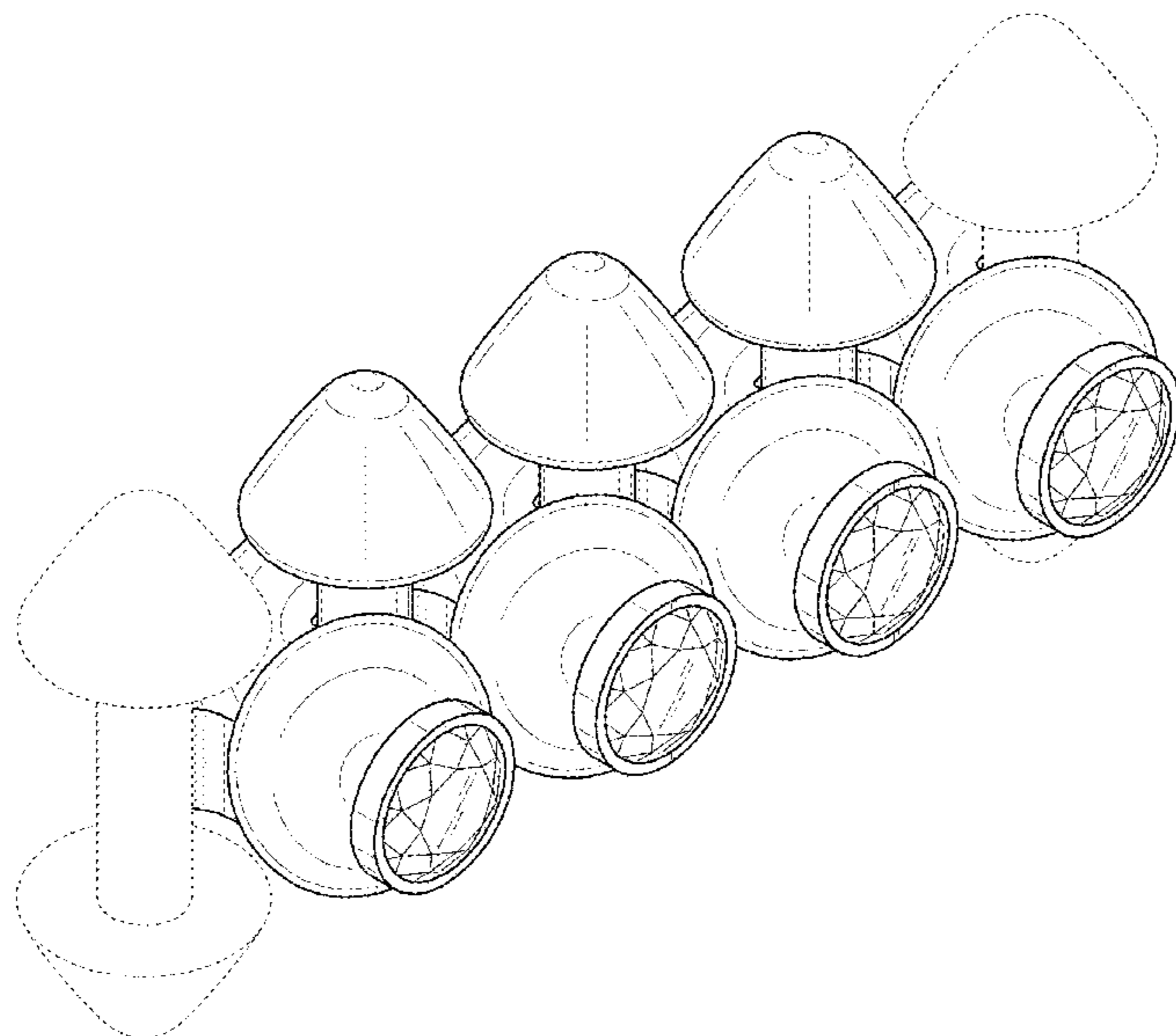
(57) **CLAIM**

The ornamental design for an article of jewelry, as shown and described.

DESCRIPTION

FIG. 1 is a front elevational view of an article of jewelry, showing the new design;
 FIG. 2 is a rear elevational view thereof;
 FIG. 3 is a top plan view thereof, the bottom plan view being a mirror image thereof;
 FIG. 4 is a left side elevational view thereof, the right side elevational view being identical thereto; and,
 FIG. 5 is a front perspective view thereof.
 The broken lines in the drawings illustrate portions of the article of jewelry that form no part of the claimed design.

1 Claim, 5 Drawing Sheets



(56)

References Cited

U.S. PATENT DOCUMENTS

| | | | |
|-------------------|--------|---------------|-------------------|
| D909,232 S * | 2/2021 | Morin | D11/16 |
| D912,564 S * | 3/2021 | Morin | D11/6 |
| D913,143 S * | 3/2021 | Yamada | D11/26 |
| D921,517 S * | 6/2021 | Morin | D11/26 |
| 2007/0180858 A1 * | 8/2007 | Wiseman | A44C 5/02 63/4 |

* cited by examiner

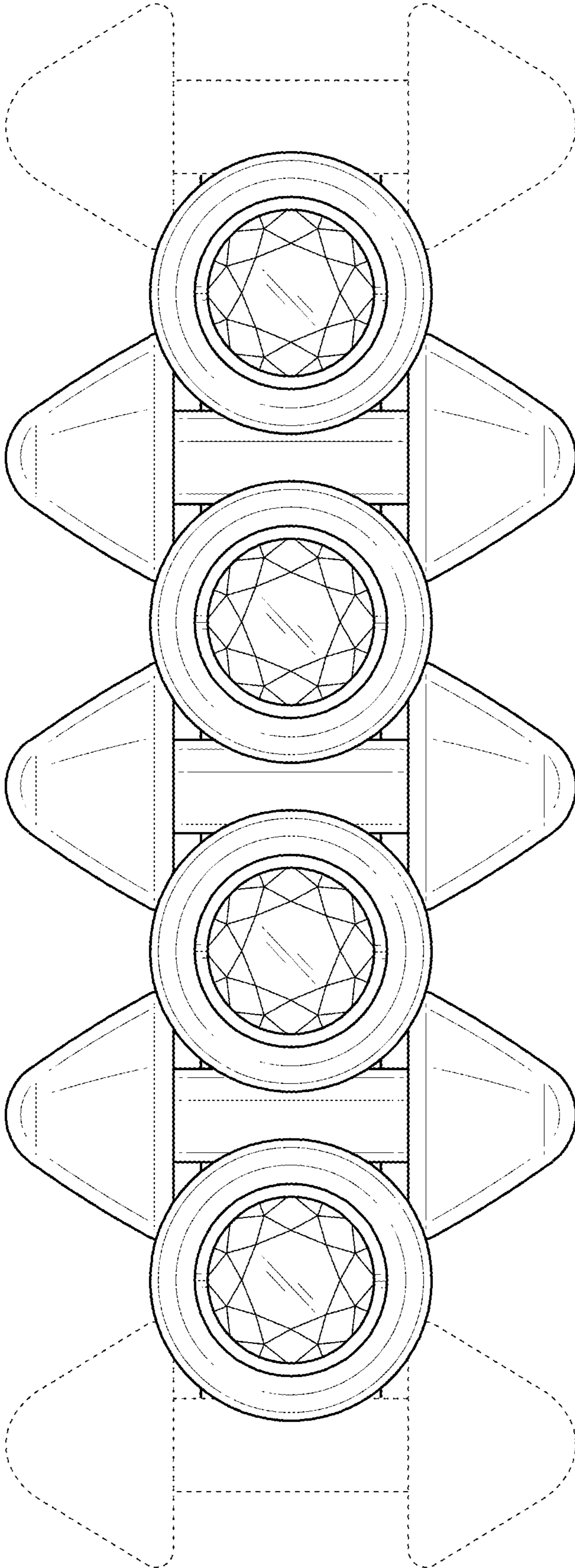


FIG. 1

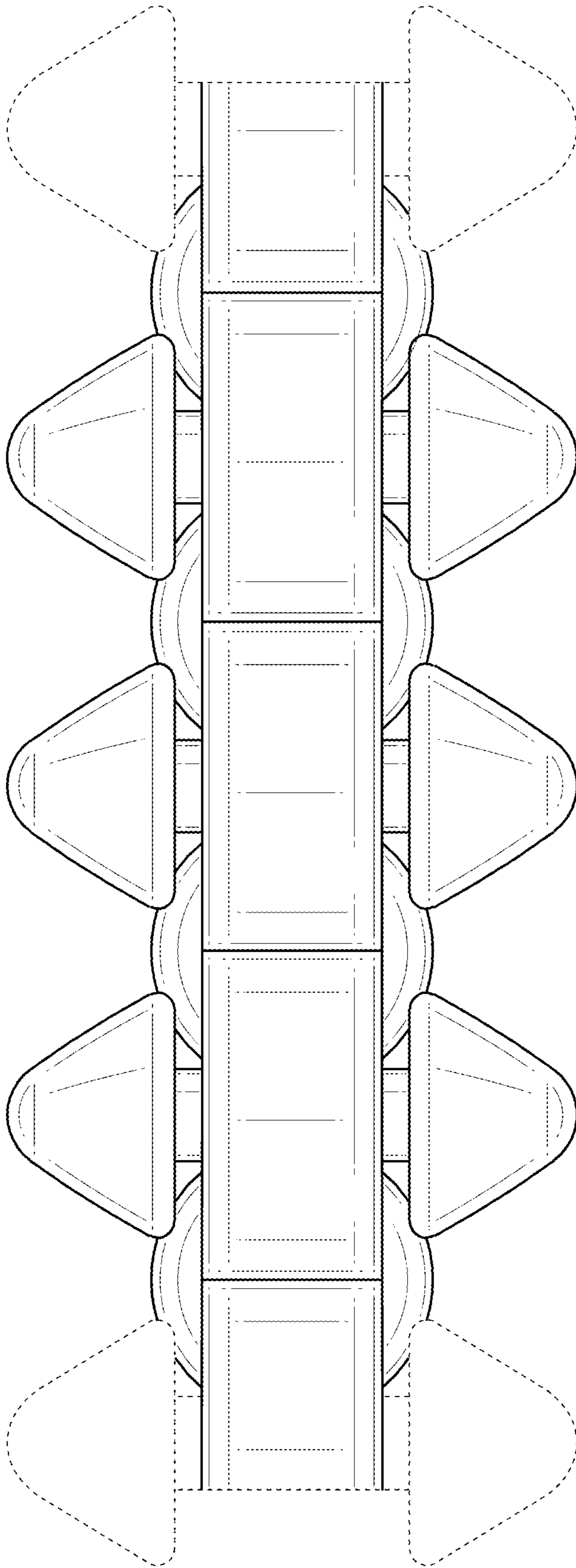


FIG. 2

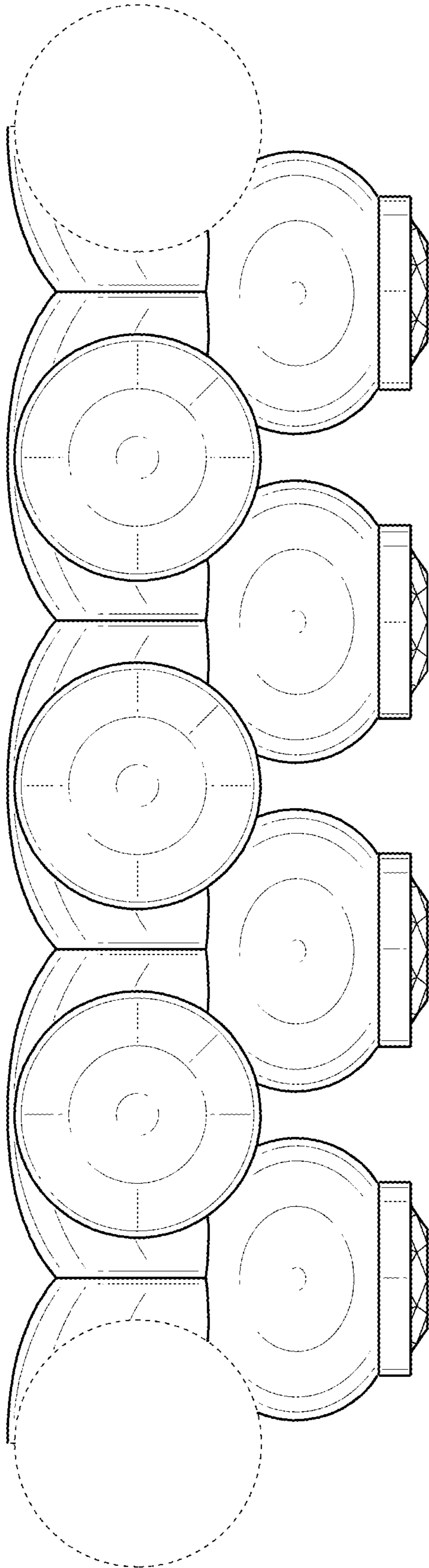


FIG. 3

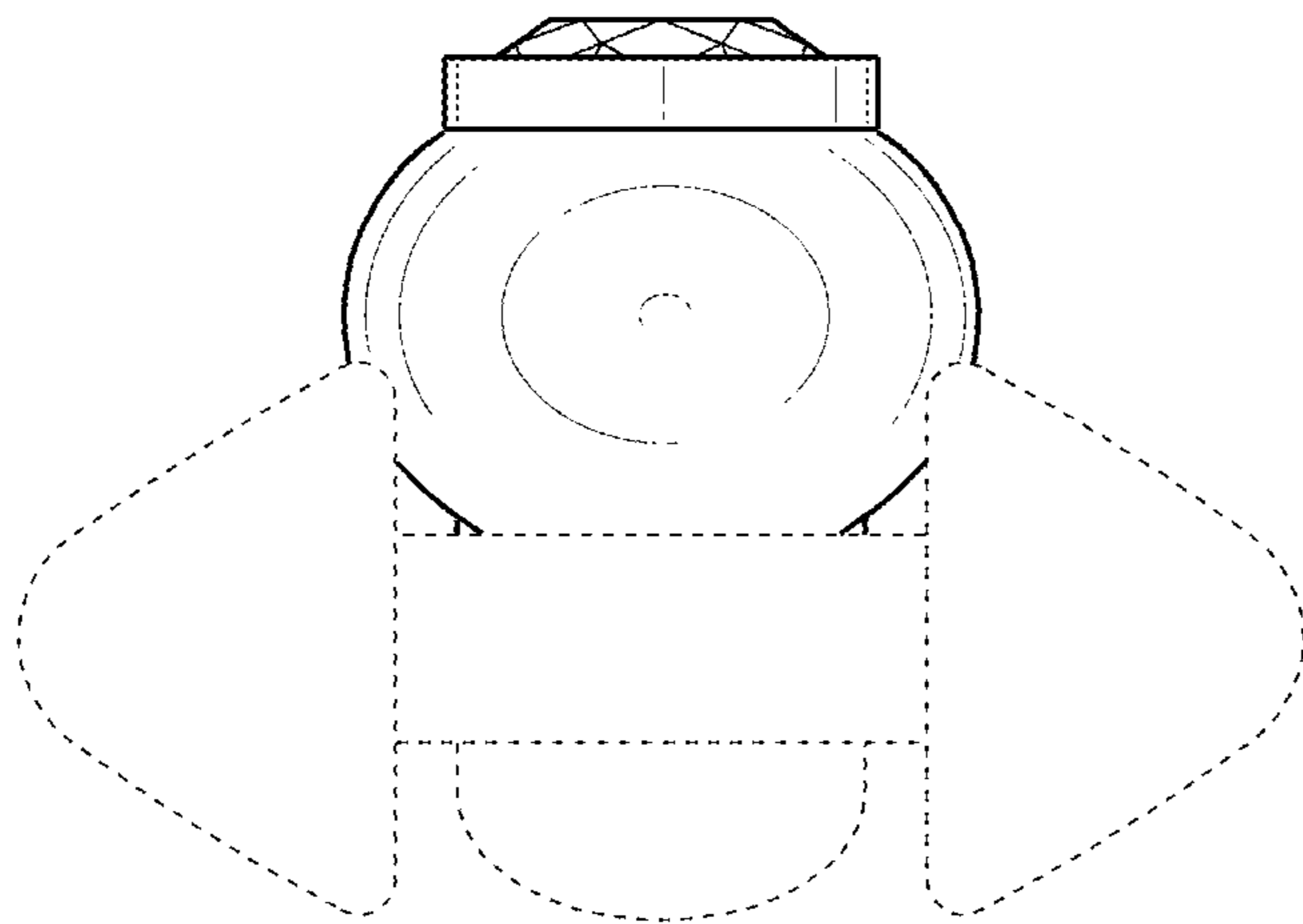


FIG. 4

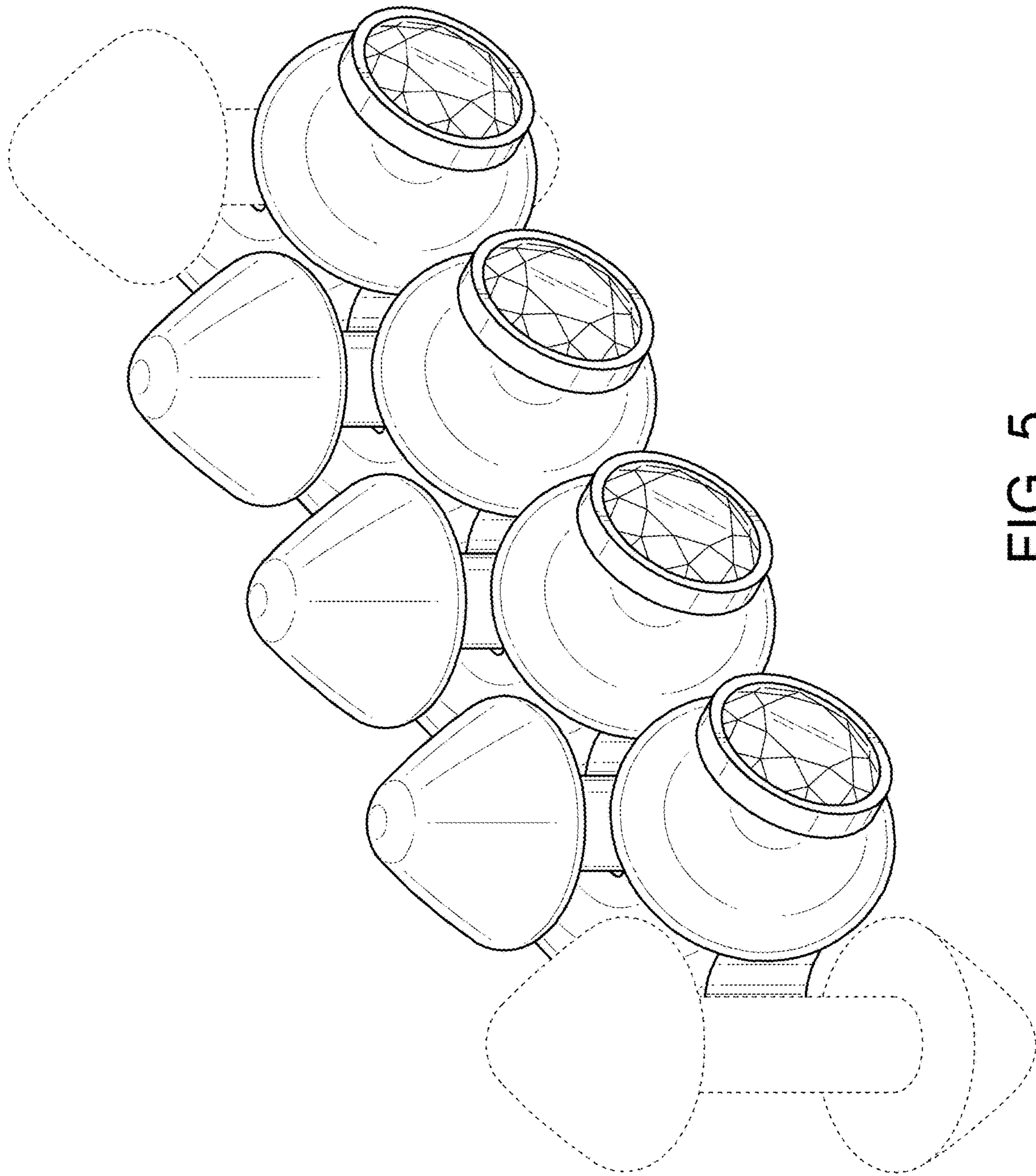


FIG. 5