



US00D929886S

(12) **United States Design Patent** (10) **Patent No.:** **US D929,886 S**
Morin (45) **Date of Patent:** **** Sep. 7, 2021**

(54) **ARTICLE OF JEWELRY**

(56) **References Cited**

- (71) Applicant: **CARTIER INTERNATIONAL AG,**
Steinhausen (CH)
- (72) Inventor: **Flora Morin,** Conflans Sainte Honorine
(FR)
- (73) Assignee: **CARTIER INTERNATIONAL AG,**
Steinhausen (CH)
- (**) Term: **15 Years**
- (21) Appl. No.: **29/766,874**
- (22) Filed: **Jan. 19, 2021**

U.S. PATENT DOCUMENTS

430,295	A *	6/1890	Mathewson	A44C 11/002
				D11/11
431,804	A *	7/1890	Edge	A44C 11/00
				D11/17
D150,930	S *	9/1948	Chernow	D11/40
D162,110	S *	2/1951	Armbrust	D11/15
D365,038	S *	12/1995	Merritt	D11/26
D386,439	S *	11/1997	Itzkowitz	D11/41
D505,633	S *	5/2005	Hardy	D11/26
D722,907	S *	2/2015	Miceli	D11/41
D909,232	S *	2/2021	Morin	D11/16
D912,564	S *	3/2021	Morin	D11/6
D913,143	S *	3/2021	Yamada	D11/26
D913,144	S *	3/2021	Yamada	D11/40
D921,517	S *	6/2021	Morin	D11/26

* cited by examiner

Related U.S. Application Data

- (62) Division of application No. 29/684,856, filed on Mar. 25, 2019, now Pat. No. Des. 909,232.

Primary Examiner — Llorellys Martinez

(74) *Attorney, Agent, or Firm* — Oliff PLC

(30) **Foreign Application Priority Data**

- Sep. 28, 2018 (WO) WO75912
- (51) **LOC (13) Cl.** **11-01**
- (52) **U.S. Cl.**
USPC **D11/12**
- (58) **Field of Classification Search**
USPC D11/1-8, 11-17, 20, 21, 22, 24, 86, 91,
D11/92, 93
CPC A44C 5/02; A44C 5/102; A44C 5/105;
A44C 5/107; A44C 17/02; A44C 13/00;
A44C 9/00

See application file for complete search history.

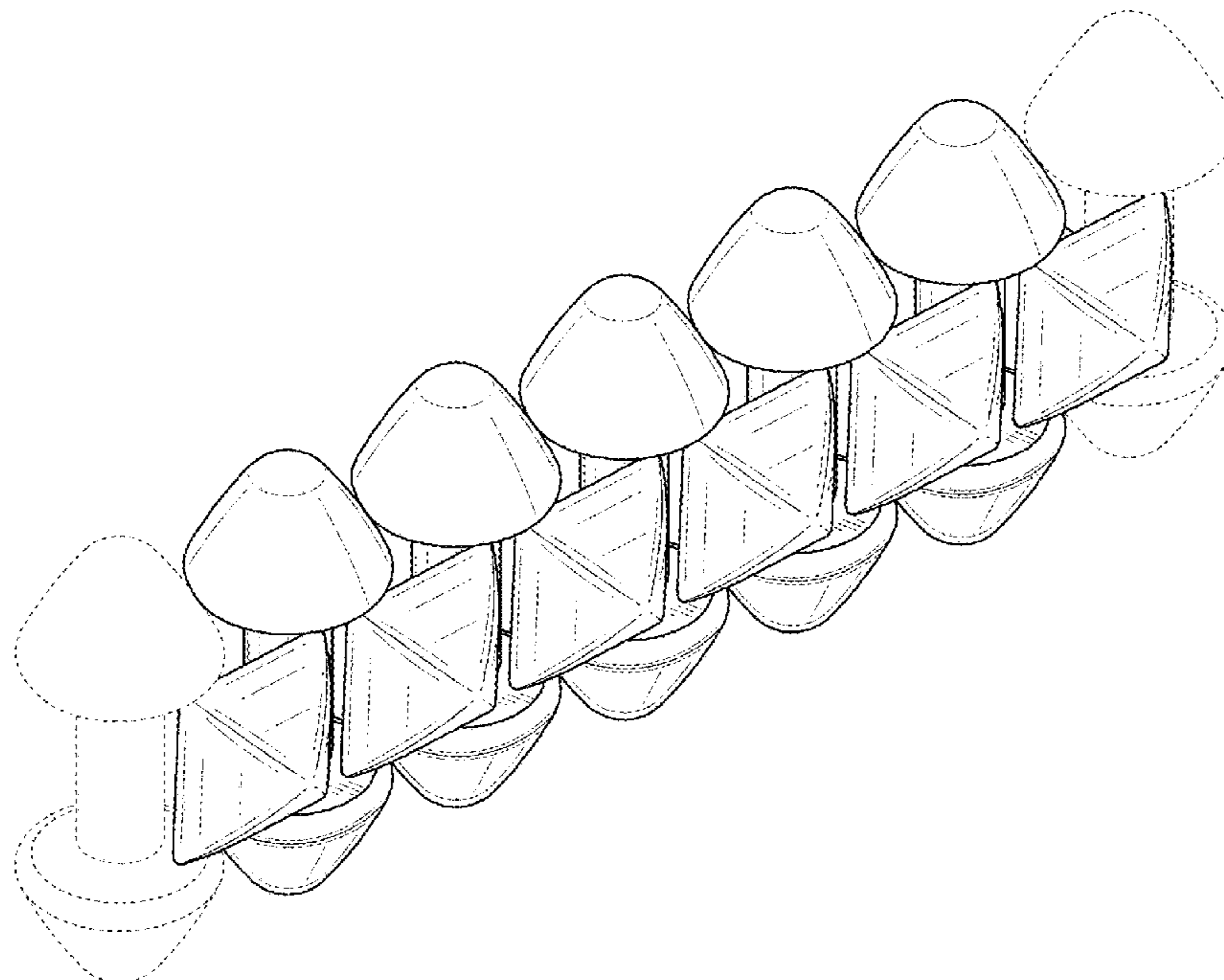
(57) **CLAIM**

The ornamental design for an article of jewelry, as shown and described.

DESCRIPTION

FIG. 1 is a front elevational view of an article of jewelry, showing the new design;
 FIG. 2 is a rear elevational view thereof;
 FIG. 3 is a top plan view thereof, the bottom plan view being a mirror image thereof;
 FIG. 4 is a left side elevational view thereof, the right side elevational view being identical thereto; and,
 FIG. 5 is a front perspective view thereof.
 The broken lines in the drawings illustrate portions of the article of jewelry that form no part of the claimed design.

1 Claim, 5 Drawing Sheets



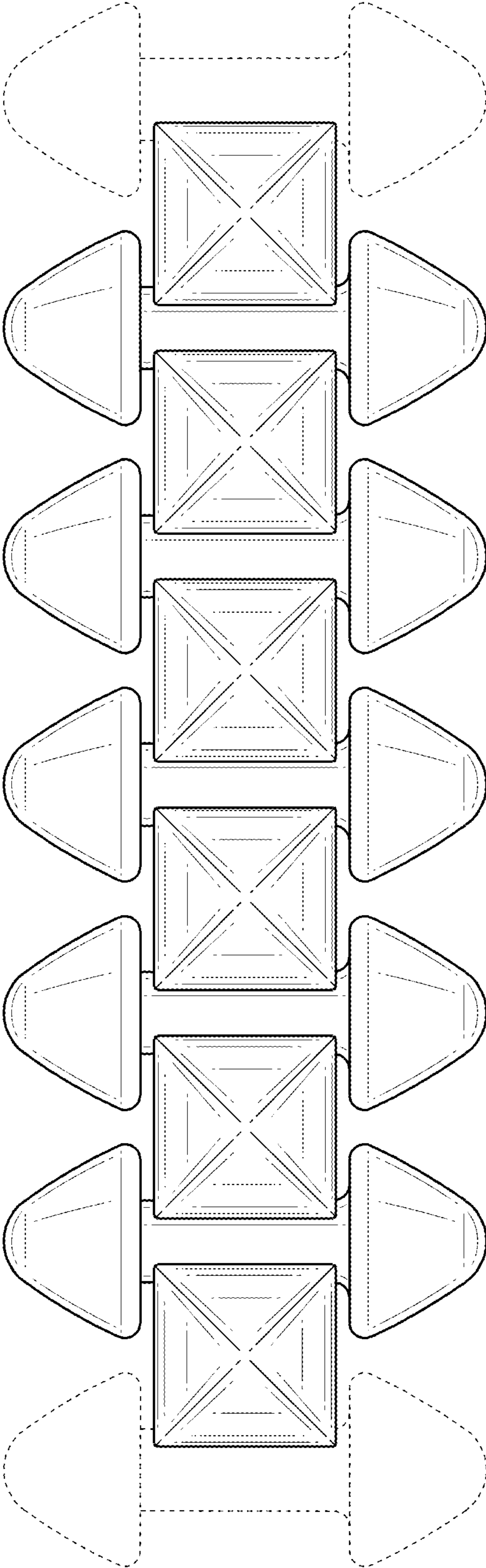


FIG. 1

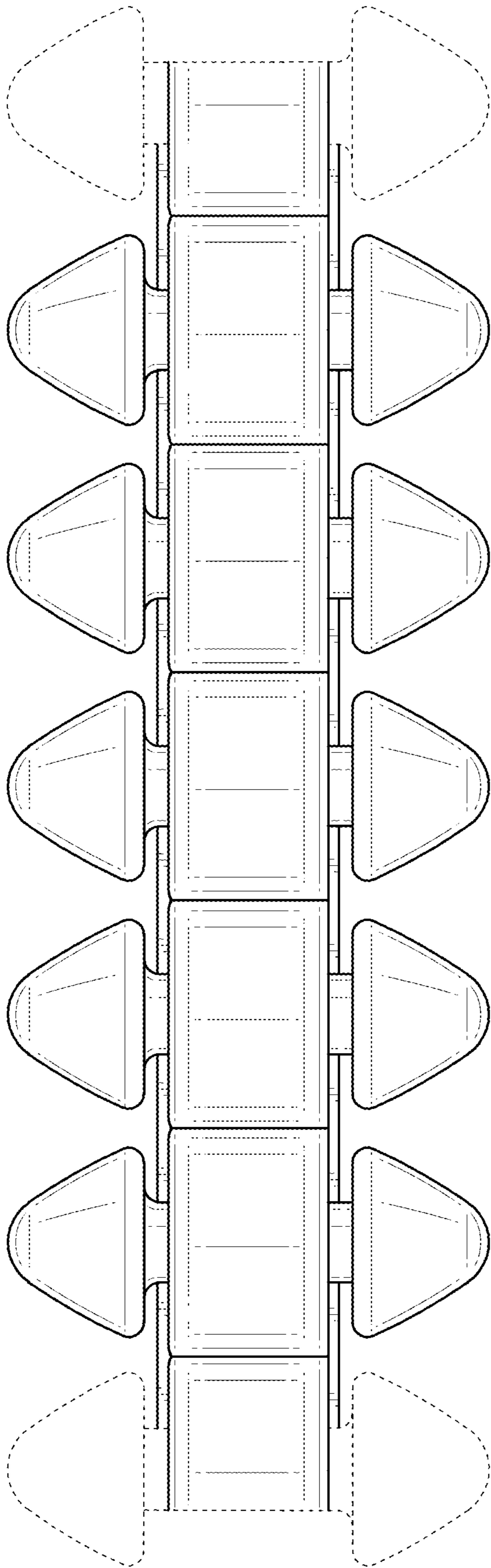


FIG. 2

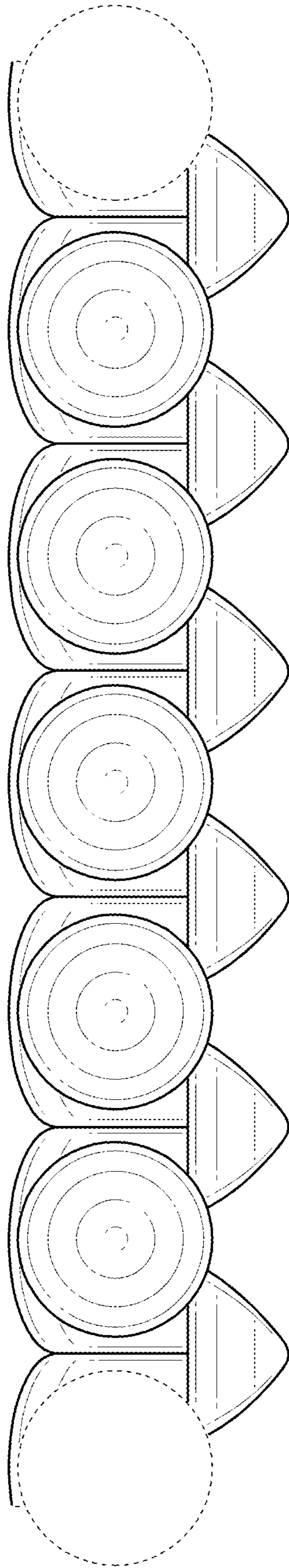


FIG. 3

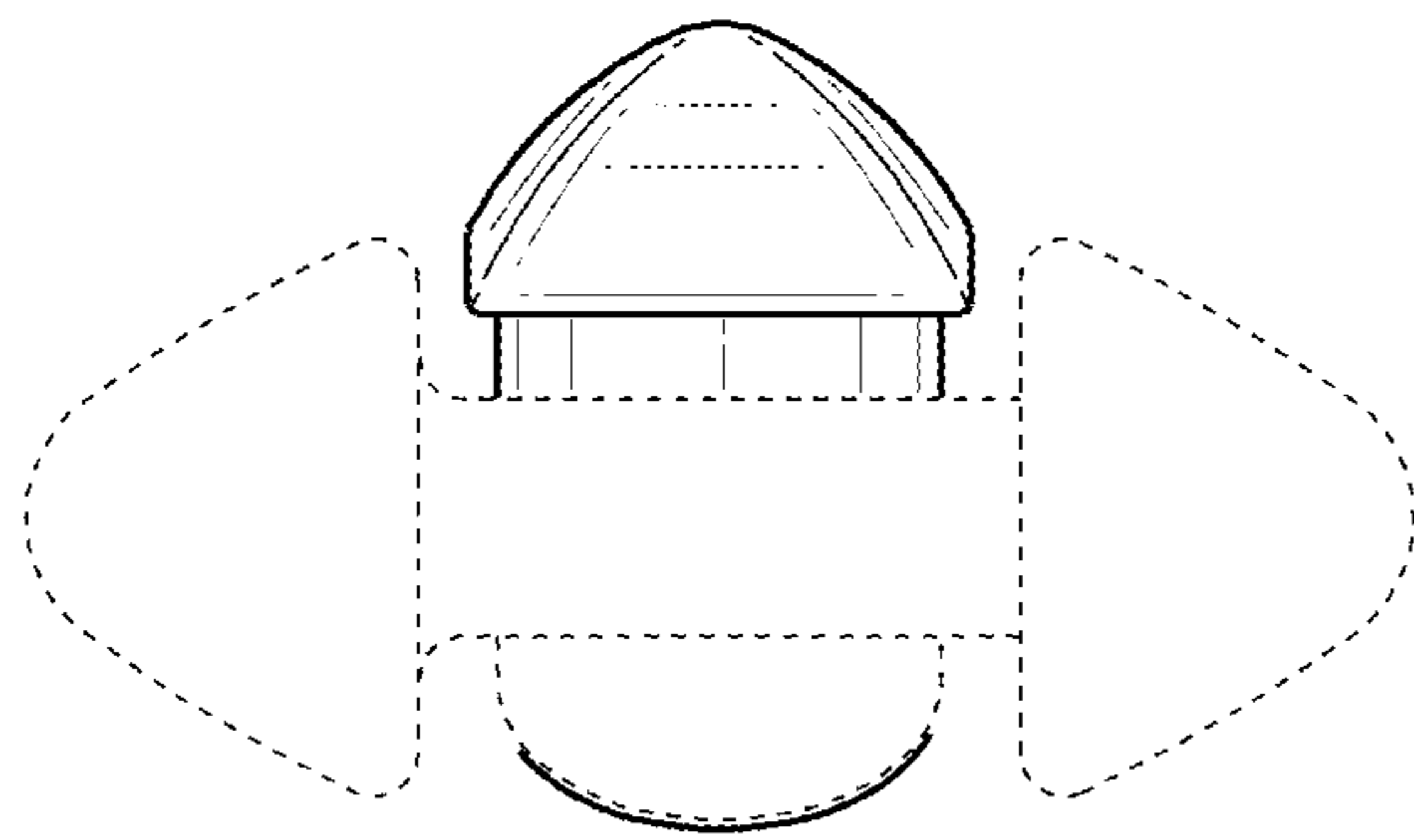


FIG. 4

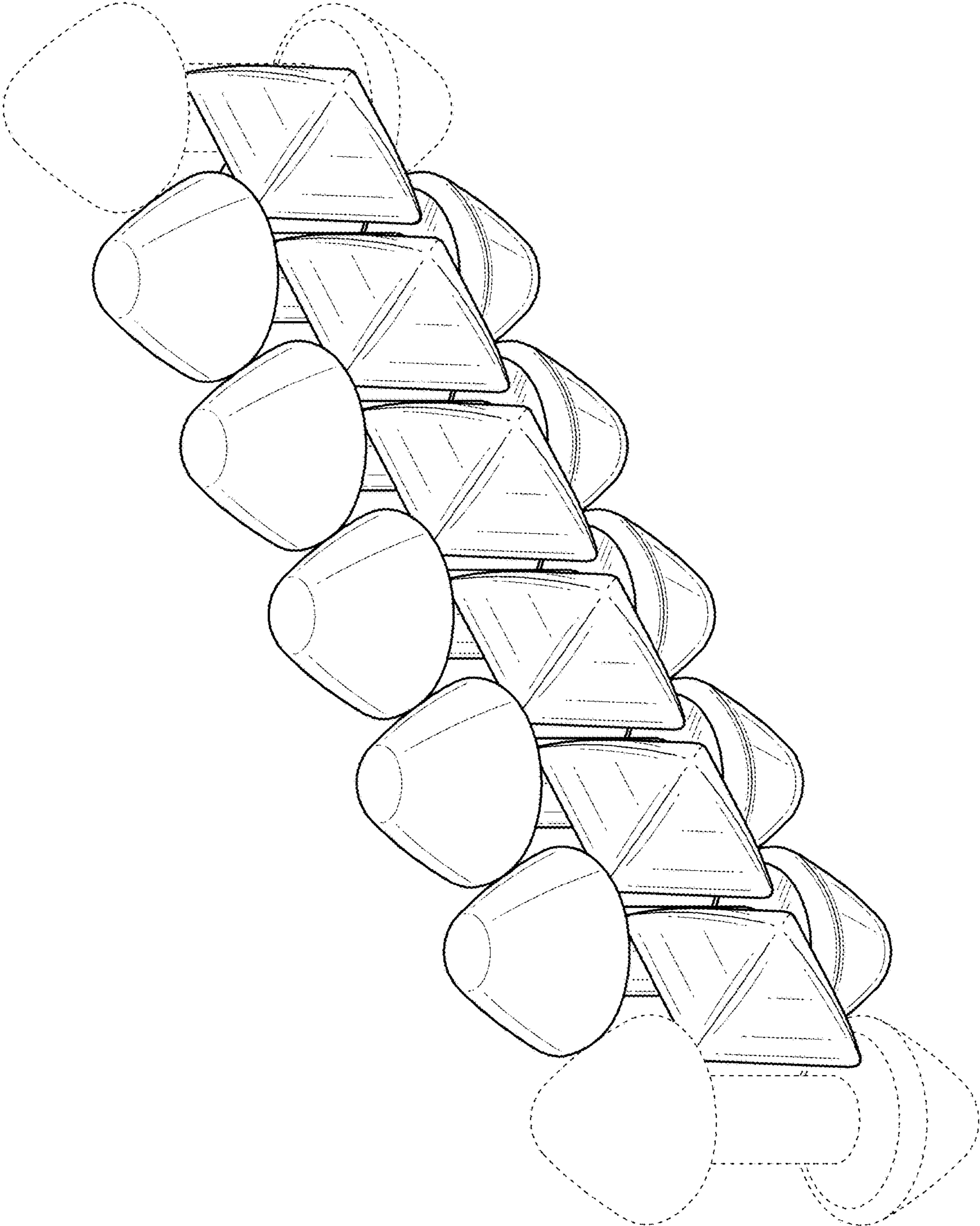


FIG. 5