



US00D929885S

(12) **United States Design Patent** (10) **Patent No.:** **US D929,885 S**
Morin (45) **Date of Patent:** **** Sep. 7, 2021**

(54) ARTICLE OF JEWELRY	442,917 A * 12/1890 Reynolds A44C 11/00 D11/16
(71) Applicant: CARTIER INTERNATIONAL AG, Steinhausen (CH)	D120,368 S * 5/1940 Welling D10/32 D122,031 S * 8/1940 Meyer D11/8 2,413,541 A * 12/1946 Brady A44C 5/0084 63/3
(72) Inventor: Flora Morin, Conflans Sainte Honorine (FR)	D162,110 S * 2/1951 Armbrust D11/15 D365,038 S * 12/1995 Merritt D11/26 D505,633 S * 5/2005 Hardy D11/26 D505,877 S * 6/2005 Hardy D11/26 D771,189 S * 11/2016 Robinson D19/192 D818,866 S * 5/2018 Comolli D11/11 D884,093 S * 5/2020 Baker A63H 3/003 D21/658
(73) Assignee: CARTIER INTERNATIONAL AG, Steinhausen (CH)	D908,525 S * 1/2021 Yamada D11/79 D909,232 S * 2/2021 Morin D11/16 D912,564 S * 3/2021 Morin D11/6 D913,143 S * 3/2021 Yamada D11/26 D913,144 S * 3/2021 Yamada D11/40
(**) Term: 15 Years	
(21) Appl. No.: 29/766,861	
(22) Filed: Jan. 19, 2021	

Related U.S. Application Data

(62) Division of application No. 29/684,856, filed on Mar. 25, 2019, now Pat. No. Des. 909,232.

(30) **Foreign Application Priority Data**

Sep. 28, 2018 (WO) 75912

(51) **LOC (13) Cl.** **11-01**

(52) **U.S. Cl.**
USPC **D11/12**

(58) **Field of Classification Search**
USPC D11/1-8, 11-17, 20, 21, 22, 24, 86, 91,
D11/92, 93

CPC A44C 5/02; A44C 5/102; A44C 5/105;
A44C 5/107; A44C 17/02; A44C 13/00;
A44C 9/00

See application file for complete search history.

(56) **References Cited**

U.S. PATENT DOCUMENTS

430,295 A *	6/1890	Mathewson	A44C 11/002 D11/11
431,804 A *	7/1890	Edge	A44C 11/00 D11/17

442,917 A *	12/1890	Reynolds	A44C 11/00 D11/16
D120,368 S *	5/1940	Welling	D10/32
D122,031 S *	8/1940	Meyer	D11/8
2,413,541 A *	12/1946	Brady	A44C 5/0084 63/3
D162,110 S *	2/1951	Armbrust	D11/15
D365,038 S *	12/1995	Merritt	D11/26
D505,633 S *	5/2005	Hardy	D11/26
D505,877 S *	6/2005	Hardy	D11/26
D771,189 S *	11/2016	Robinson	D19/192
D818,866 S *	5/2018	Comolli	D11/11
D884,093 S *	5/2020	Baker	A63H 3/003 D21/658
D908,525 S *	1/2021	Yamada	D11/79
D909,232 S *	2/2021	Morin	D11/16
D912,564 S *	3/2021	Morin	D11/6
D913,143 S *	3/2021	Yamada	D11/26
D913,144 S *	3/2021	Yamada	D11/40

(Continued)

Primary Examiner — Llorellys Martinez

(74) *Attorney, Agent, or Firm* — Oliff PLC

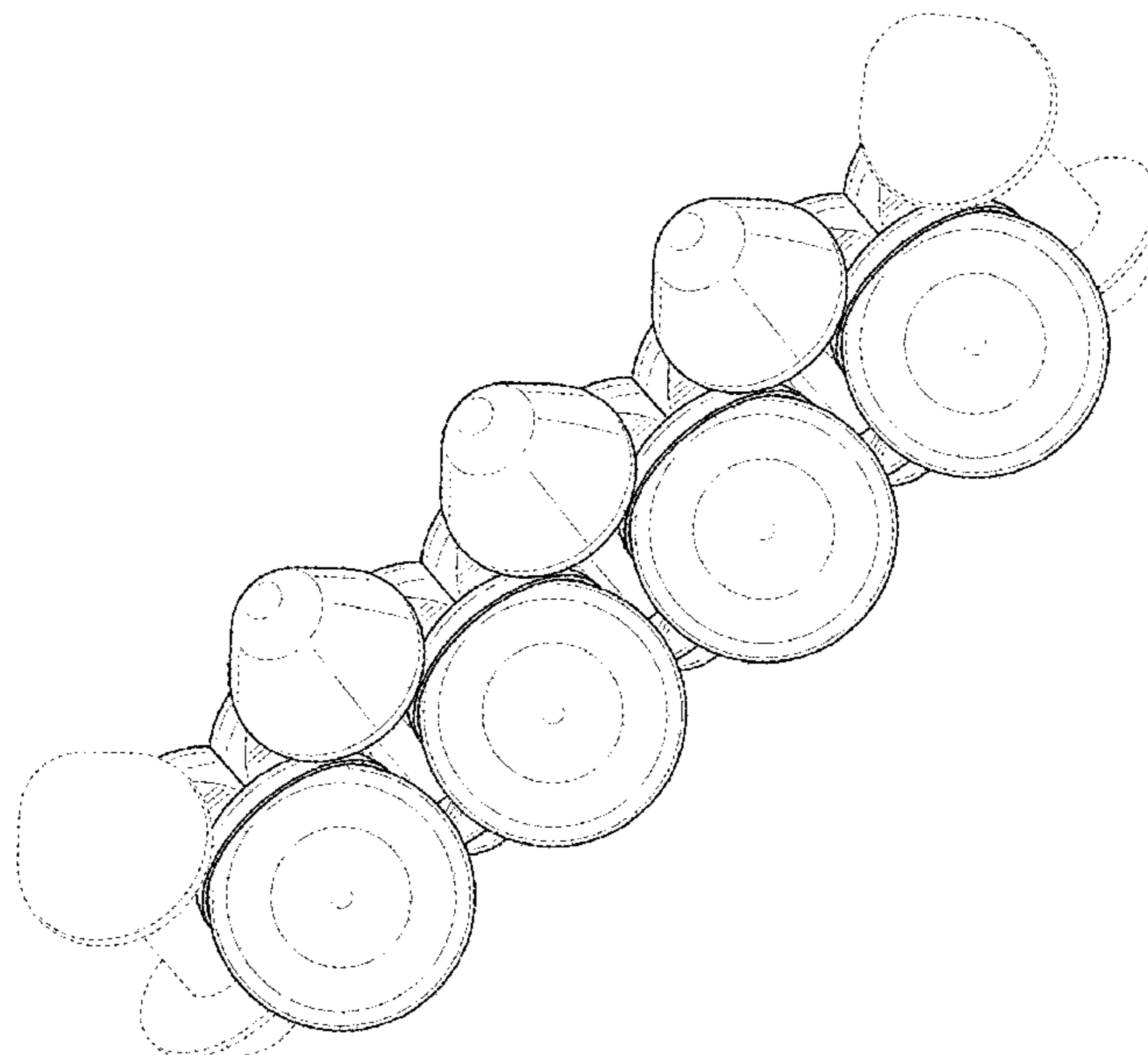
(57) **CLAIM**

The ornamental design for an article of jewelry, as shown and described.

DESCRIPTION

FIG. 1 is a front elevational view of an article of jewelry, showing the new design;
 FIG. 2 is a rear elevational view thereof;
 FIG. 3 is a top plan view thereof, the bottom plan view being a mirror image thereof;
 FIG. 4 is a left side elevational view thereof, the right side elevational view being identical thereto; and,
 FIG. 5 is a front perspective view thereof.
 The broken lines in the drawings illustrate portions of the article of jewelry that form no part of the claimed design.

1 Claim, 5 Drawing Sheets



(56)

References Cited

U.S. PATENT DOCUMENTS

D914,538 S * 3/2021 Yamada D11/79
D921,517 S * 6/2021 Morin D11/26

* cited by examiner

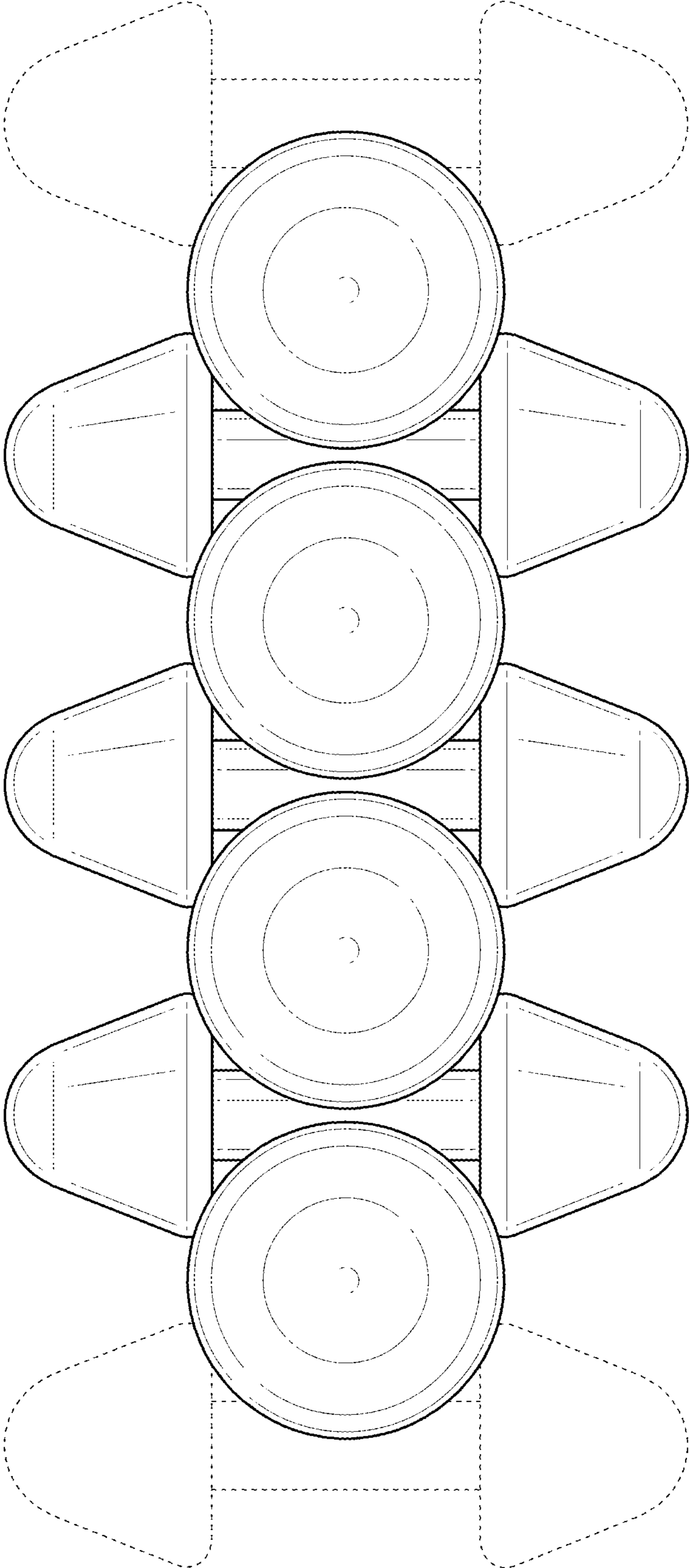


FIG. 1

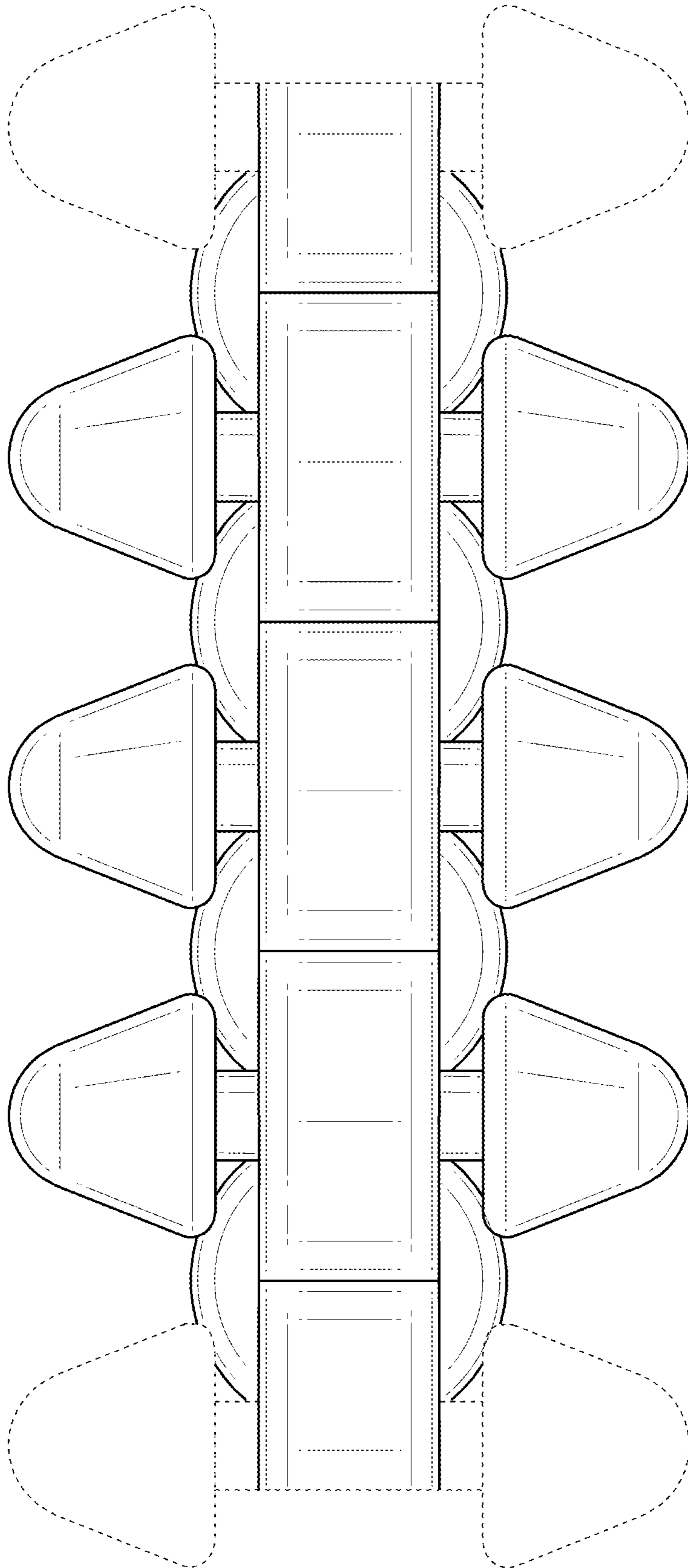


FIG. 2

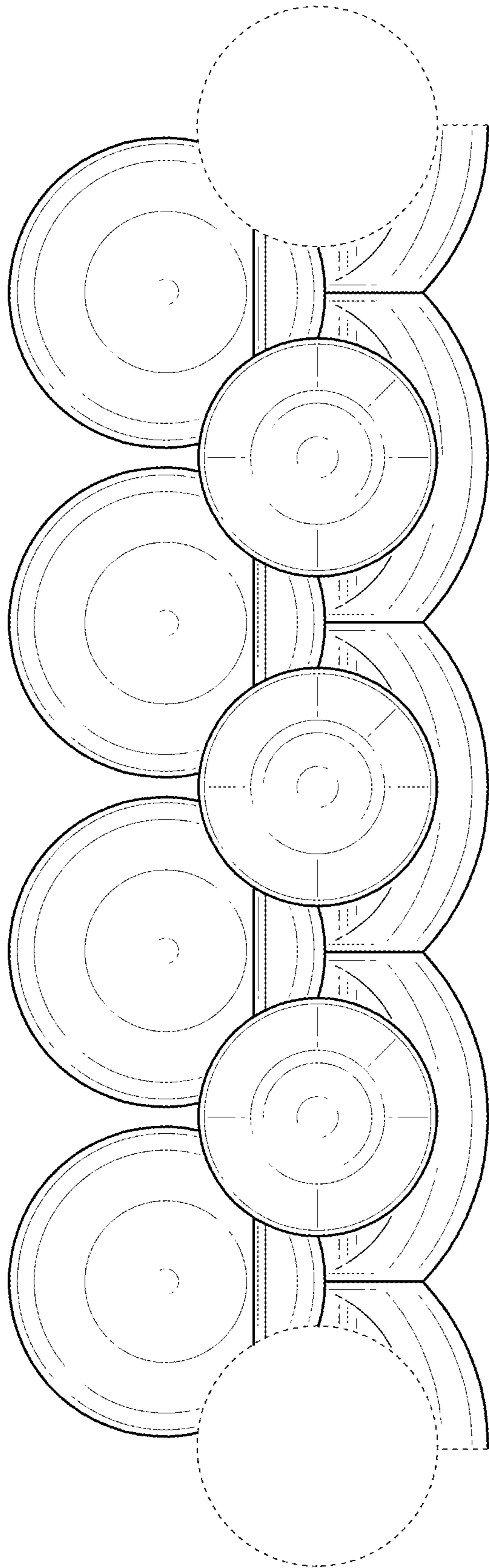


FIG. 3

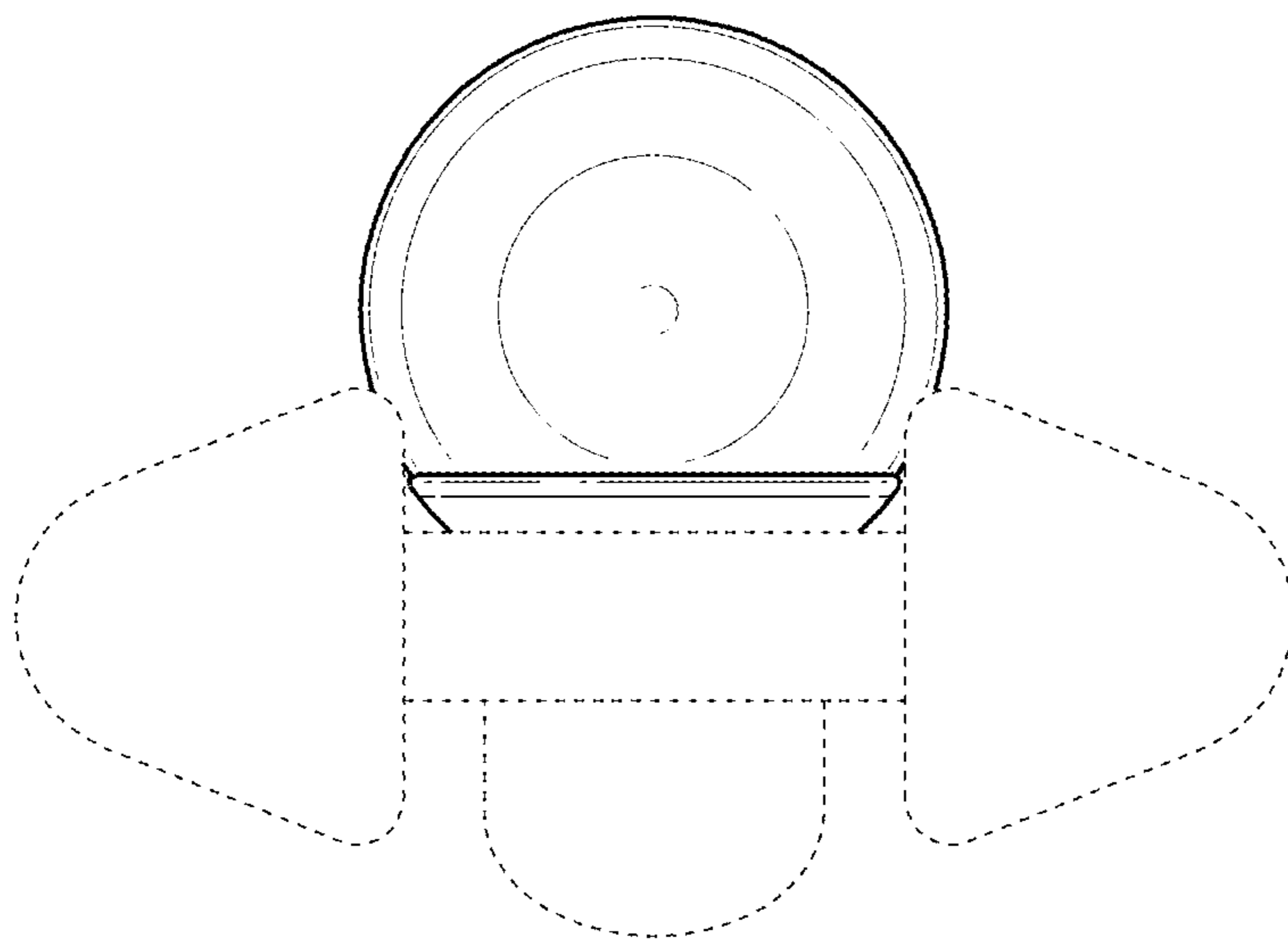


FIG. 4

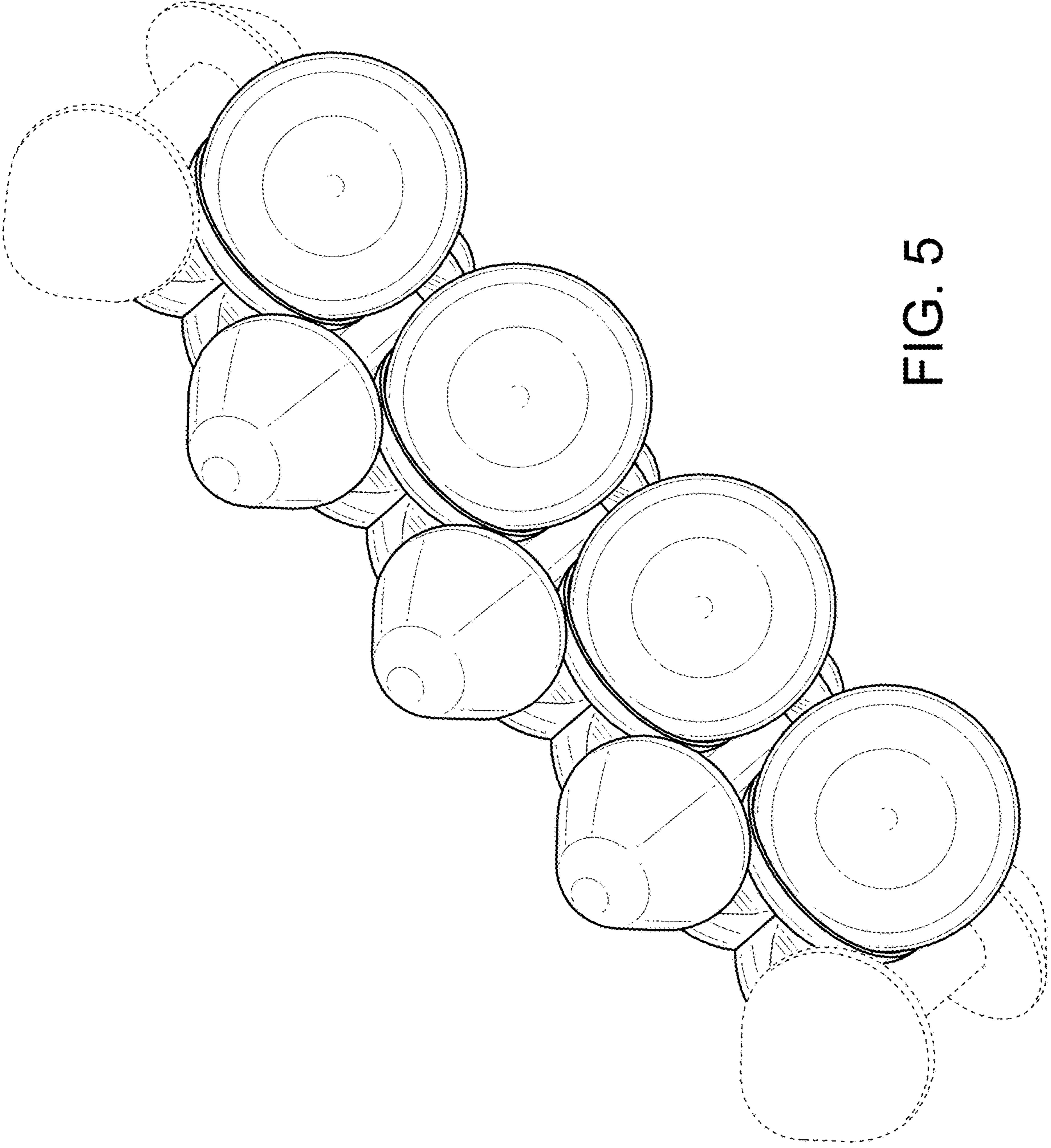


FIG. 5