



US00D929884S

(12) **United States Design Patent** (10) **Patent No.:** **US D929,884 S**
Yi (45) **Date of Patent:** **** Sep. 7, 2021**

(54) **WATCHBAND**
(71) Applicant: **Yanxin Yi**, Nanchong (CN)
(72) Inventor: **Yanxin Yi**, Nanchong (CN)
(**) Term: **15 Years**
(21) Appl. No.: **29/764,604**
(22) Filed: **Dec. 31, 2020**
(51) **LOC (13) Cl.** **11-01**
(52) **U.S. Cl.**
USPC **D11/3**
(58) **Field of Classification Search**
USPC D11/1-6; D10/30, 32, 38, 70; D14/344
CPC A44C 5/00; A44C 5/0007; A44C 5/0015;
A44C 5/0053; A44C 5/12; A44C 5/16;
A44C 5/2052; G06F 1/163
See application file for complete search history.

(56) **References Cited**
U.S. PATENT DOCUMENTS
312,994 A * 2/1885 Heilborn A44B 11/24
D11/3
D340,664 S * 10/1993 Butler D11/3
D575,656 S * 8/2008 Scholpp D11/3
D576,509 S * 9/2008 Scholpp D11/3
D727,199 S * 4/2015 Akana D11/3
D731,346 S * 6/2015 Akana D11/3
D746,718 S * 1/2016 Akana D11/3
D757,590 S * 5/2016 Akana D11/3
D779,990 S * 2/2017 Akana D11/3
D779,992 S * 2/2017 Akana D11/3

D789,229 S * 6/2017 Akana D11/3
D818,864 S * 5/2018 Yu D11/3
D820,140 S * 6/2018 Register D11/3
D839,120 S * 1/2019 Hou D11/3
D848,894 S * 5/2019 Yu D11/3
D850,969 S 6/2019 Brown et al.
D853,881 S * 7/2019 Akana D11/3
D870,588 S * 12/2019 Akana D11/3
D879,644 S 3/2020 Deng et al.
D880,338 S * 4/2020 Akana D11/3
D883,839 S * 5/2020 Deng D11/3
D904,920 S * 12/2020 Harms D11/3

* cited by examiner

Primary Examiner — Llorellys Martinez

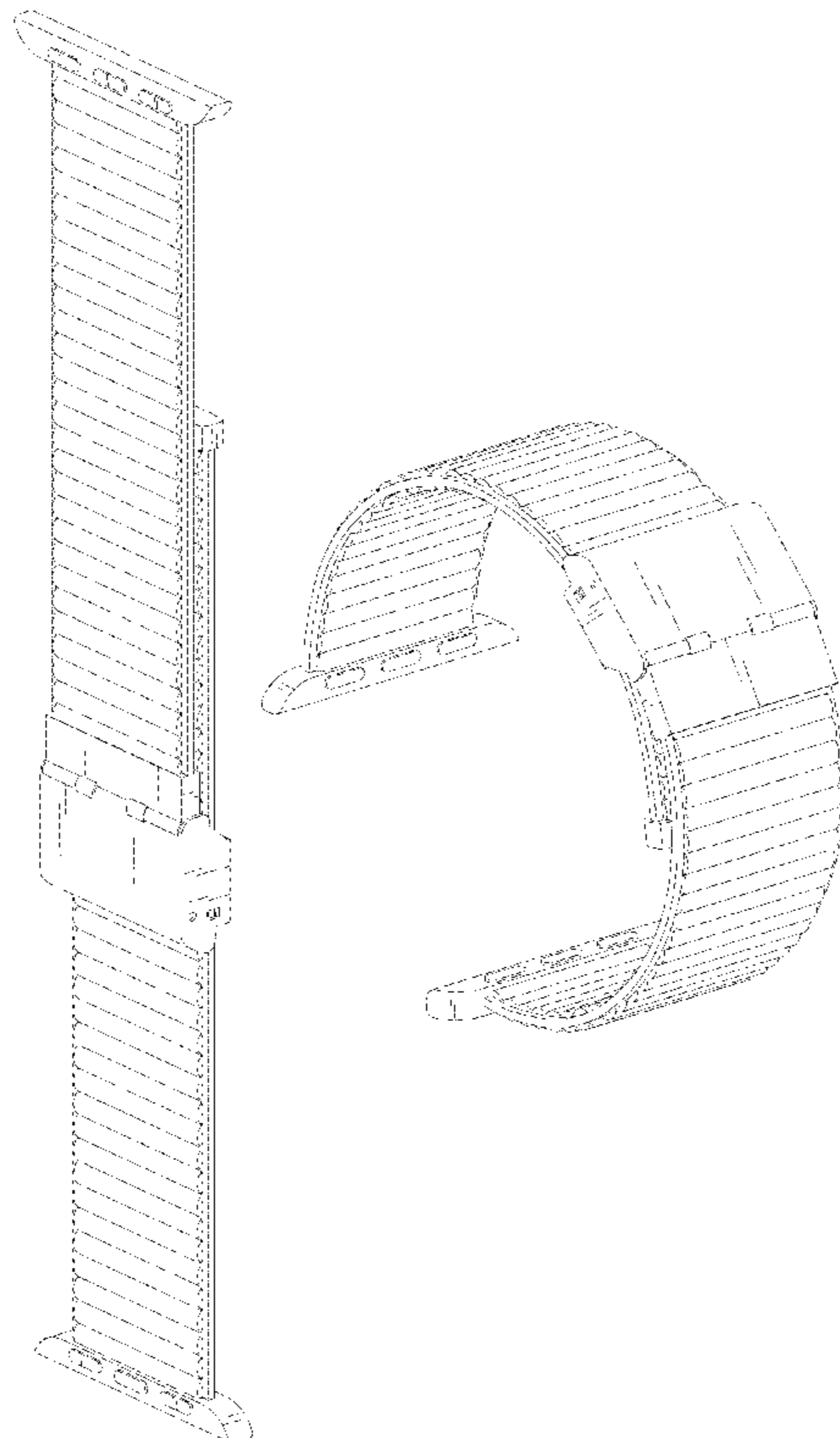
(57) **CLAIM**

The ornamental design for a watchband, as shown and described.

DESCRIPTION

FIG. 1 is a perspective view of a watchband showing my new design;
FIG. 2 is another perspective thereof, showing the watchband of FIG. 1 in an alternate configuration;
FIG. 3 is another perspective view thereof, showing the watchband of FIG. 1 in an alternate configuration;
FIG. 4 is a top view thereof;
FIG. 5 is a left side view thereof;
FIG. 6 is a front side view thereof;
FIG. 7 is a right view thereof;
FIG. 8 is a back view thereof; and,
FIG. 9 is a bottom view thereof.

1 Claim, 9 Drawing Sheets



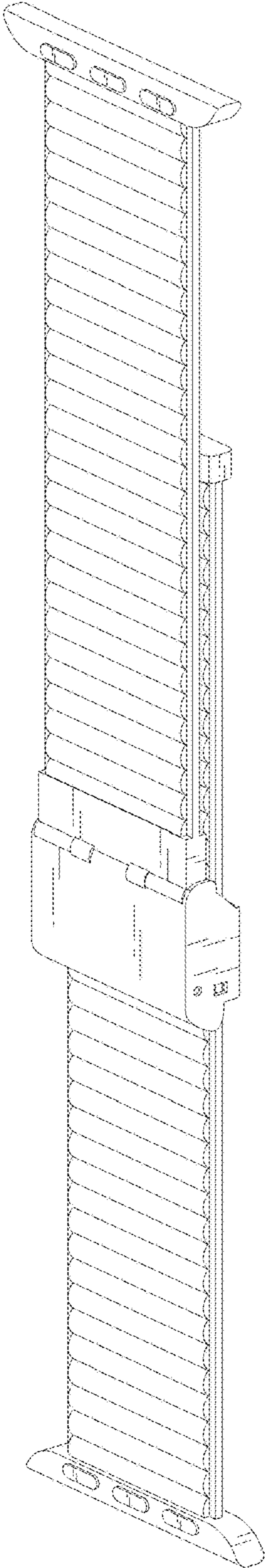


FIG. 1

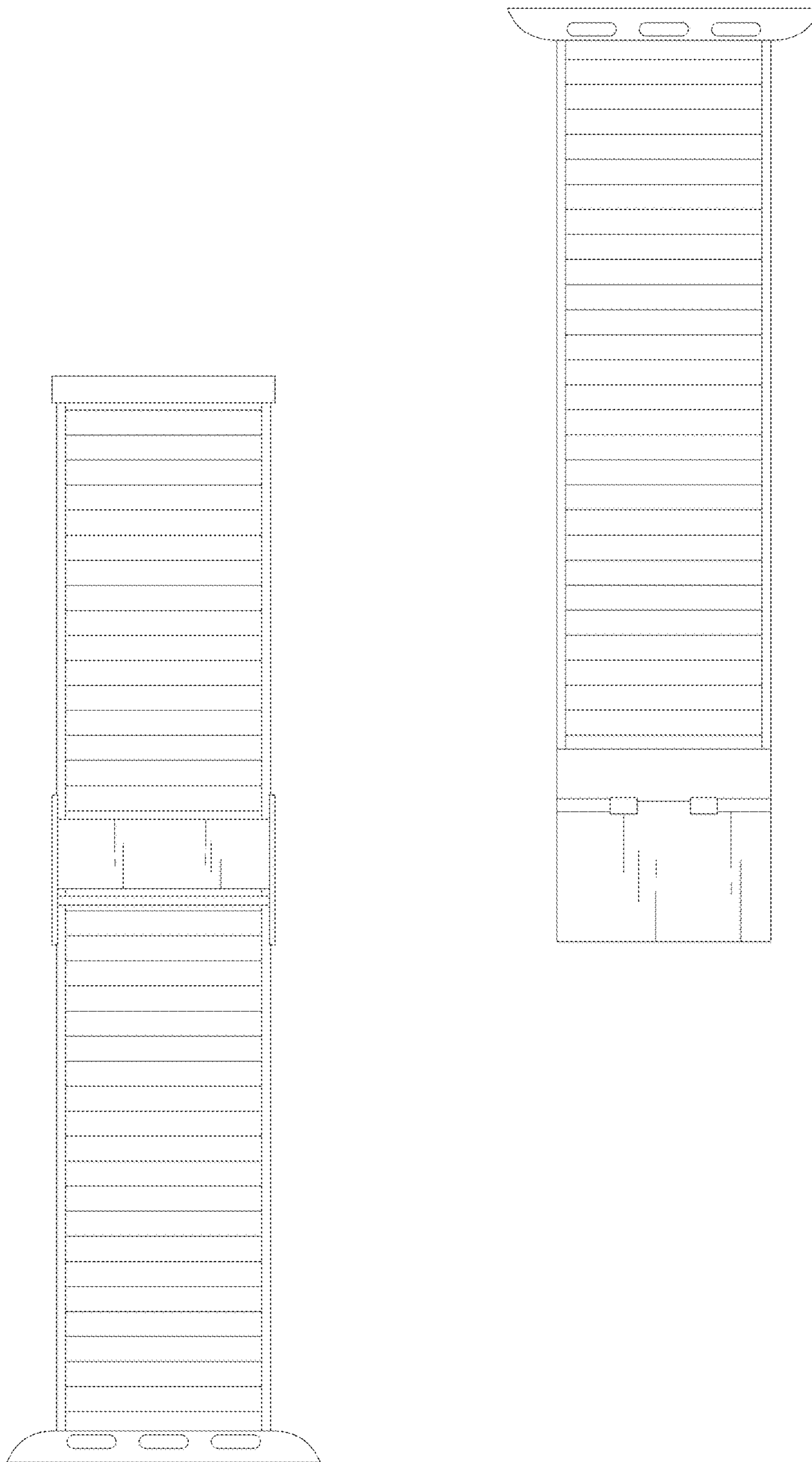


FIG. 2

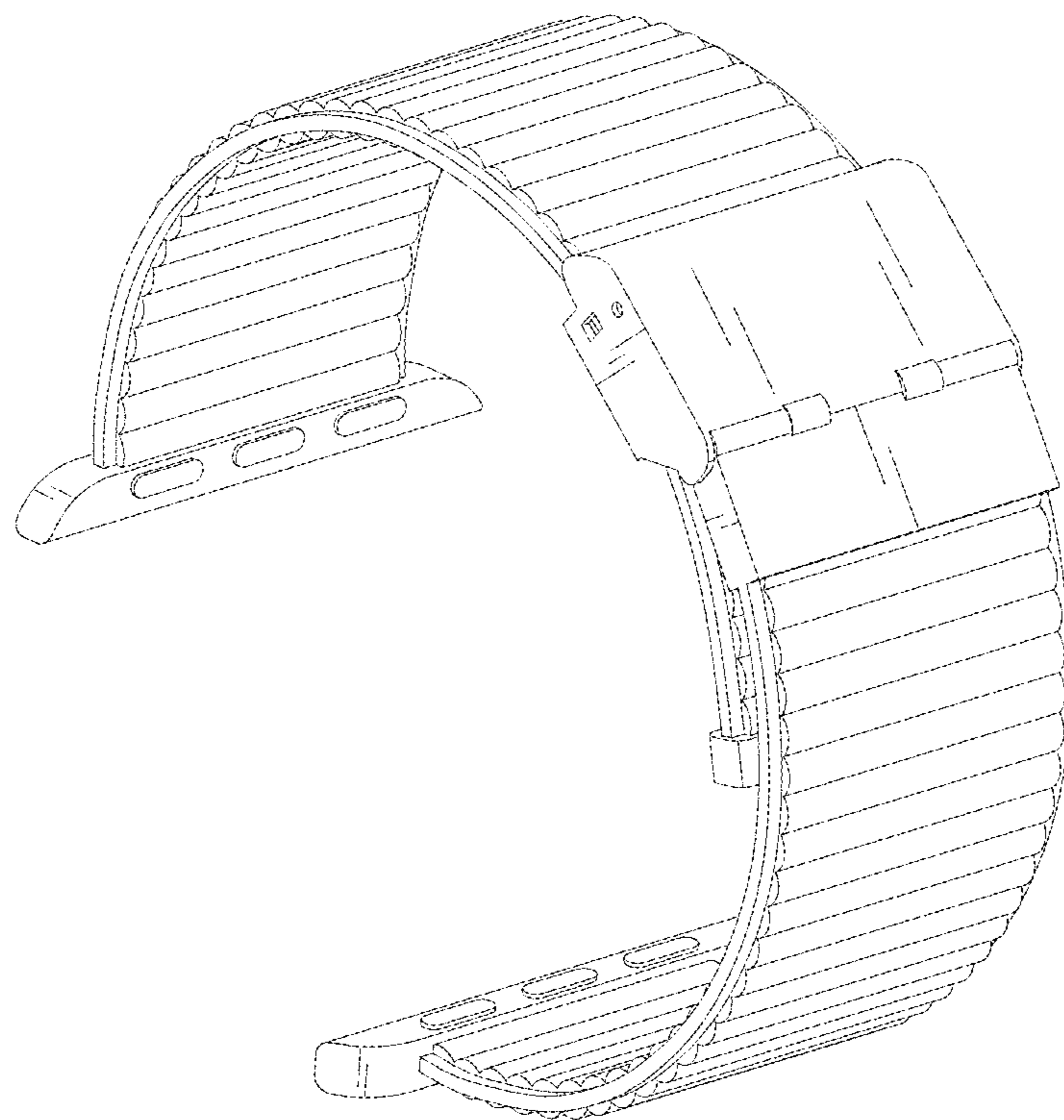


FIG. 3

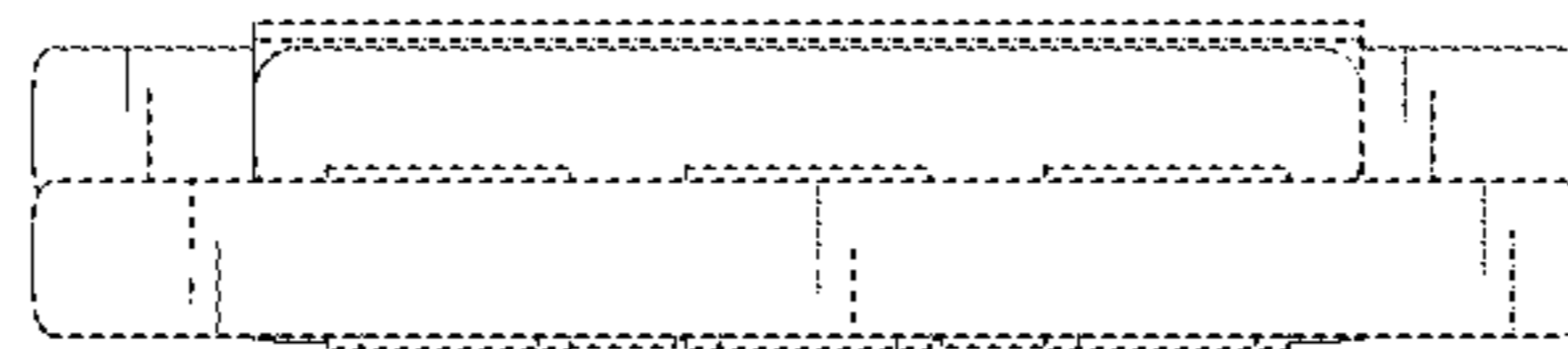


FIG. 4

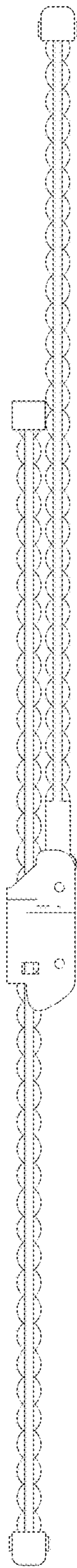


FIG. 5

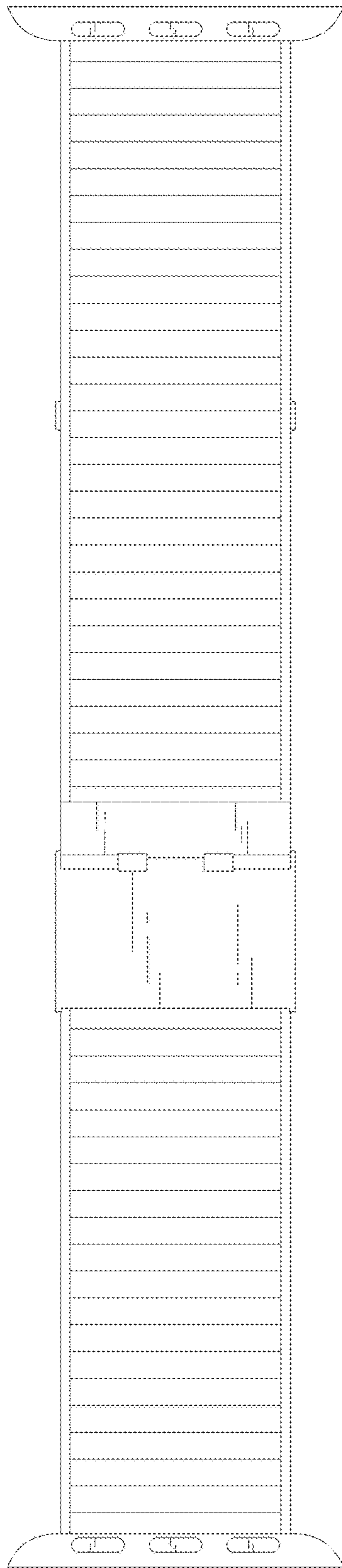


FIG. 6

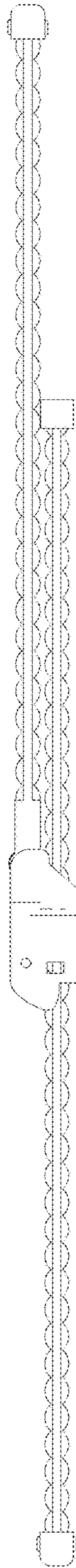


FIG. 7

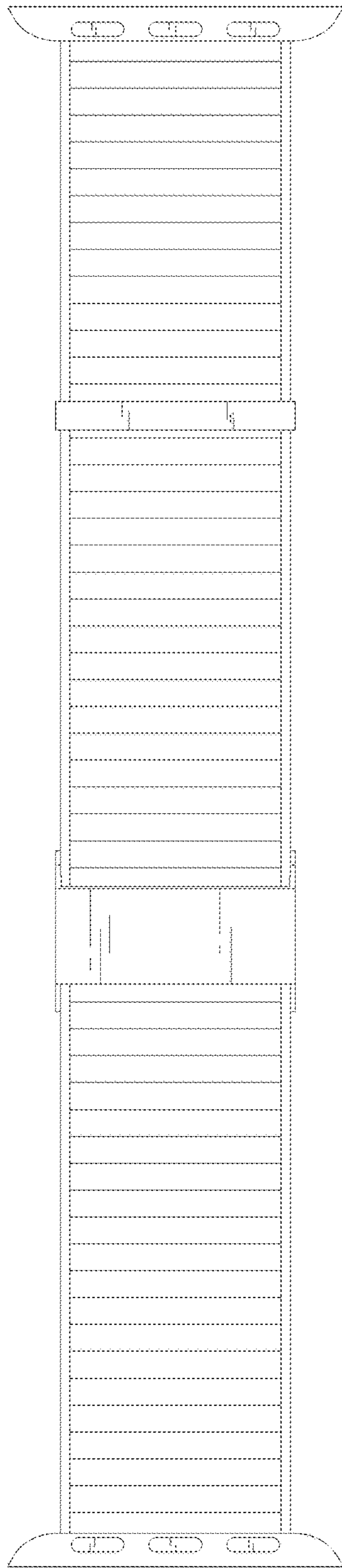


FIG. 8

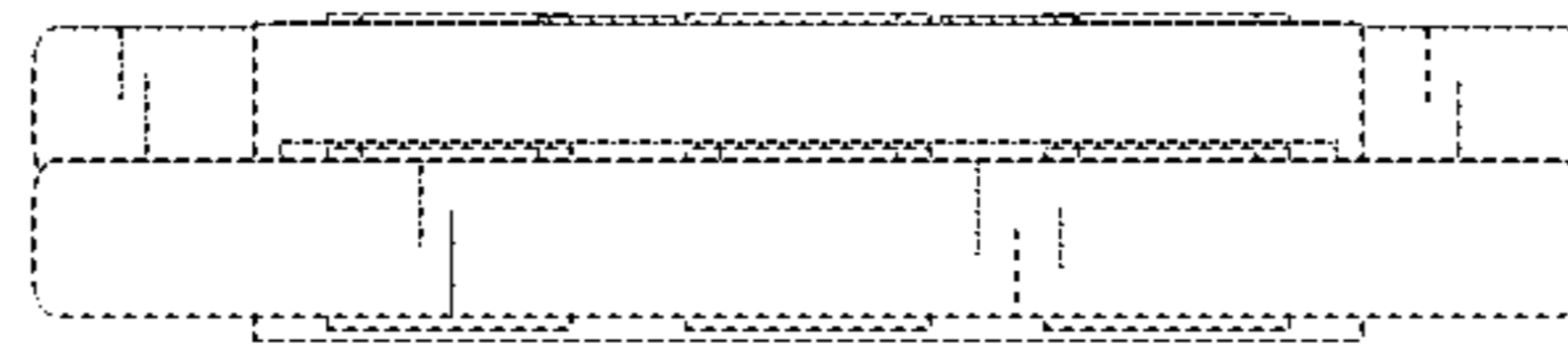


FIG. 9