



US00D929880S

(12) **United States Design Patent** (10) **Patent No.:** **US D929,880 S**  
**Lan** (45) **Date of Patent:** **\*\* Sep. 7, 2021**

(54) **LASER PROBE HEAD**  
(71) Applicant: **Jinhe Lan**, Guangdong (CN)  
(72) Inventor: **Jinhe Lan**, Guangdong (CN)  
(\*\*) Term: **15 Years**

D830,208 S \* 10/2018 Makino ..... D10/78  
10,260,735 B2 \* 4/2019 Chien ..... H02J 7/00  
D849,578 S \* 5/2019 Huang ..... D10/80  
2005/0018178 A1 \* 1/2005 Schloss ..... G01K 17/003  
356/216  
2012/0134386 A1 \* 5/2012 Bender ..... G01K 17/003  
374/32

(21) Appl. No.: **29/711,825**

FOREIGN PATENT DOCUMENTS

CN 201930590990.2 \* 10/2019

(22) Filed: **Nov. 3, 2019**

(51) **LOC (13) Cl.** ..... **10-05**

(52) **U.S. Cl.**  
USPC ..... **D10/78**

(58) **Field of Classification Search**  
USPC ..... D10/49, 75, 76, 78, 80, 96, 97, 104.1  
CPC ..... G01K 17/003; G01K 17/16; G01K 17/18;  
G01J 1/0233; G01J 1/04  
See application file for complete search history.

OTHER PUBLICATIONS

RF Camera Detector Wireless | aliexpress.com; no posting date [online], © 2010-2021 AliExpress.com [retrieved Jun. 14, 2021] from Internet: <<https://www.aliexpress.com/item/32887725189.html>> (Year: 2021).\*  
Wireless RF Signal Detector | amazon.com; date first available Apr. 2019 [online], © 1996-2021, Amazon.com, Inc. [retrieved Jun. 14, 2021] from Internet: <[https://www.amazon.com/Detector-Wireless-Scanner-Anti-Theft-Vibration/dp/B07QF821YQ/ref=psdc\\_12909791\\_t5\\_B08K459FR2](https://www.amazon.com/Detector-Wireless-Scanner-Anti-Theft-Vibration/dp/B07QF821YQ/ref=psdc_12909791_t5_B08K459FR2)> (Year: 2019).\*

(56) **References Cited**

U.S. PATENT DOCUMENTS

3,908,457 A \* 9/1975 Drong ..... G01K 11/02  
374/32  
4,804,917 A \* 2/1989 Miller ..... G01R 1/203  
324/126  
D316,052 S \* 4/1991 Bubash ..... D10/75  
D407,031 S \* 3/1999 Bourgeois ..... D10/78  
D410,529 S \* 6/1999 Taylor ..... D23/245  
D516,929 S \* 3/2006 Vipond ..... D10/104.1  
D531,066 S \* 10/2006 Watabe ..... D10/46  
7,897,277 B2 \* 3/2011 Meyer ..... F21L 2/00  
429/100  
D644,738 S \* 9/2011 Regan ..... D24/187  
D656,426 S \* 3/2012 Marcoz ..... D10/79  
D686,927 S \* 7/2013 Matuschek ..... D10/74  
D694,264 S \* 11/2013 Reinhardt ..... D14/496  
D718,868 S \* 12/2014 Schroderus ..... D24/167  
D744,360 S \* 12/2015 Makino ..... D10/78  
D749,004 S \* 2/2016 Sirius-El ..... D10/97  
D749,971 S \* 2/2016 Sirius-El ..... D10/97  
D778,189 S \* 2/2017 Worden ..... D10/104.1  
D829,119 S \* 9/2018 Osawa ..... D10/96

\* cited by examiner

*Primary Examiner* — Katherine Glennon

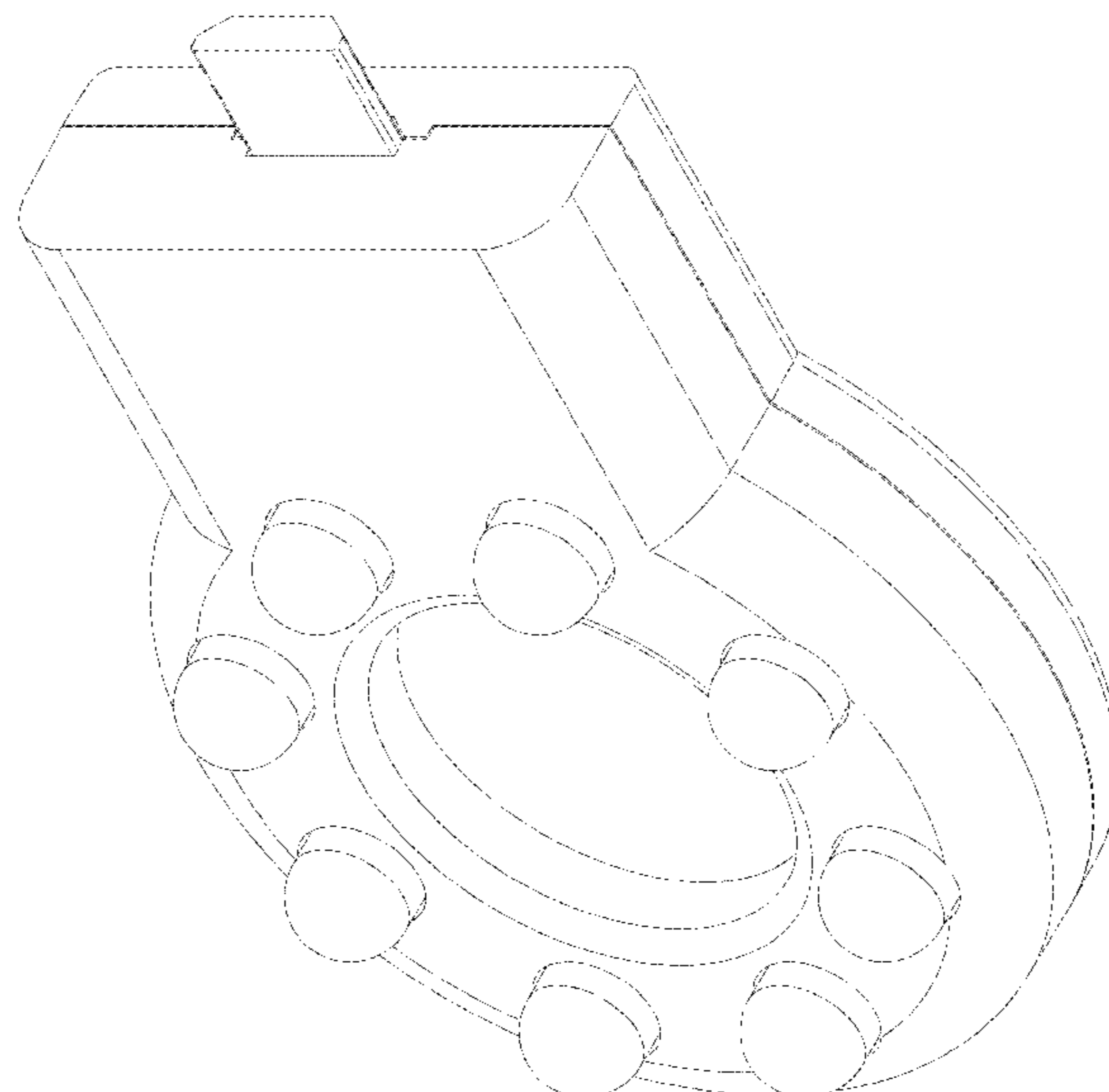
(57) **CLAIM**

The ornamental design for a laser probe head, as shown.

**DESCRIPTION**

FIG. 1 is a front elevational view of a laser probe head showing my new design;  
FIG. 2 is a rear elevational view thereof;  
FIG. 3 is a left side view thereof;  
FIG. 4 is a right side view thereof;  
FIG. 5 is a top plan view thereof;  
FIG. 6 is a bottom plan view thereof;  
FIG. 7 is a perspective view thereof; and,  
FIG. 8 is another perspective view thereof.

**1 Claim, 7 Drawing Sheets**



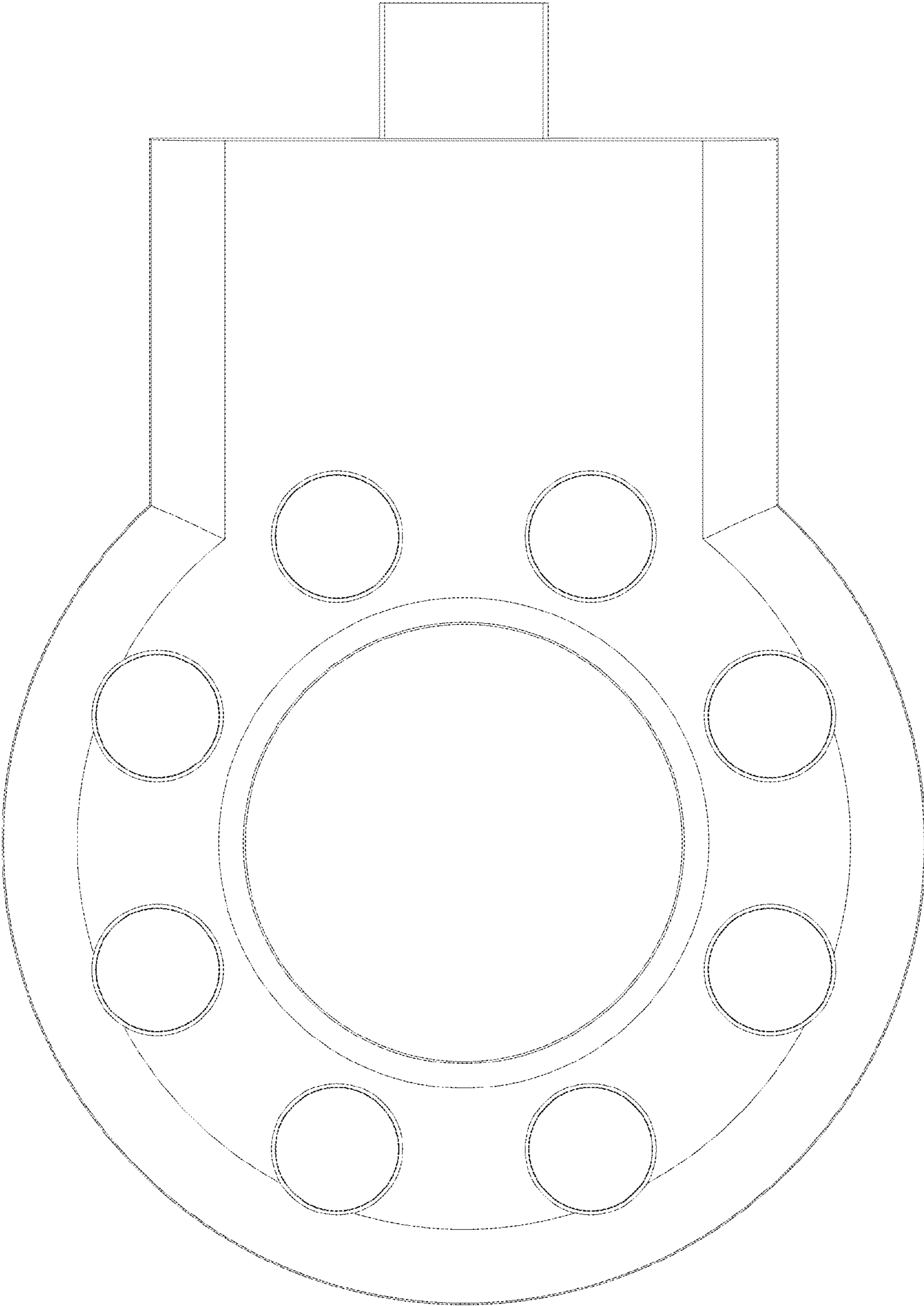


Fig. 1

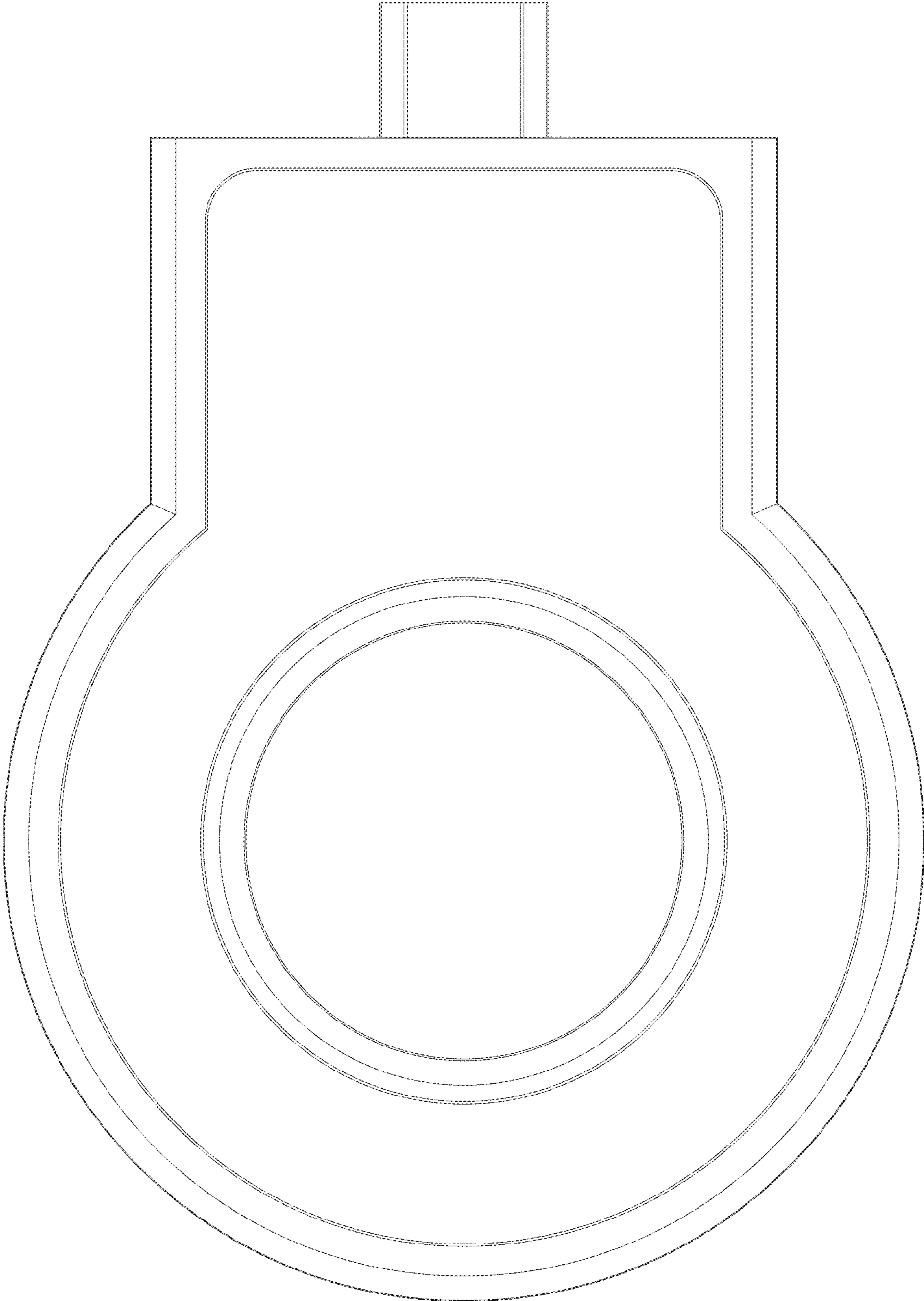


Fig. 2

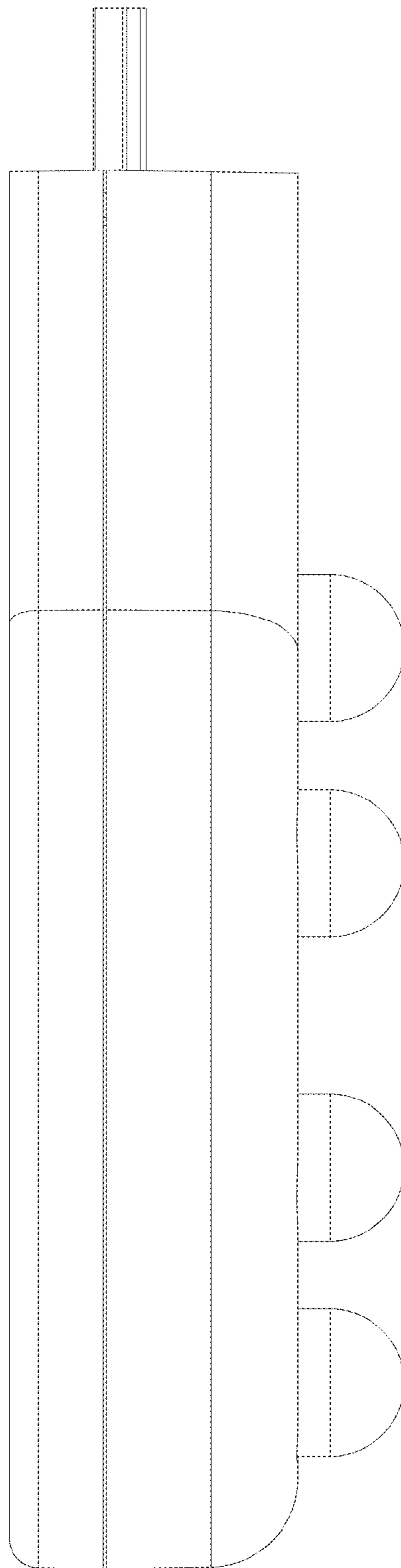


Fig. 3

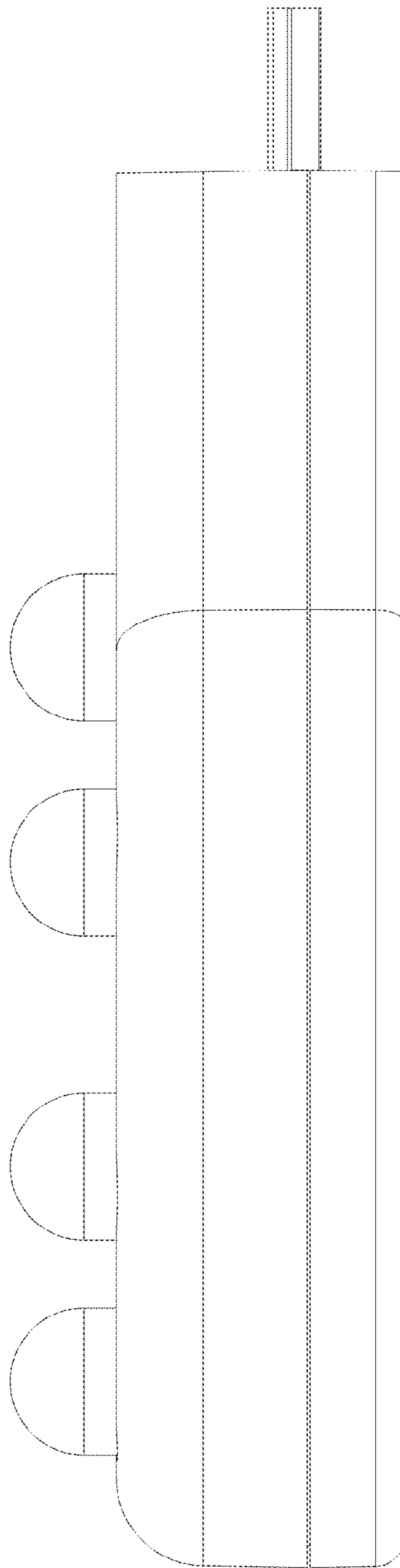


Fig. 4

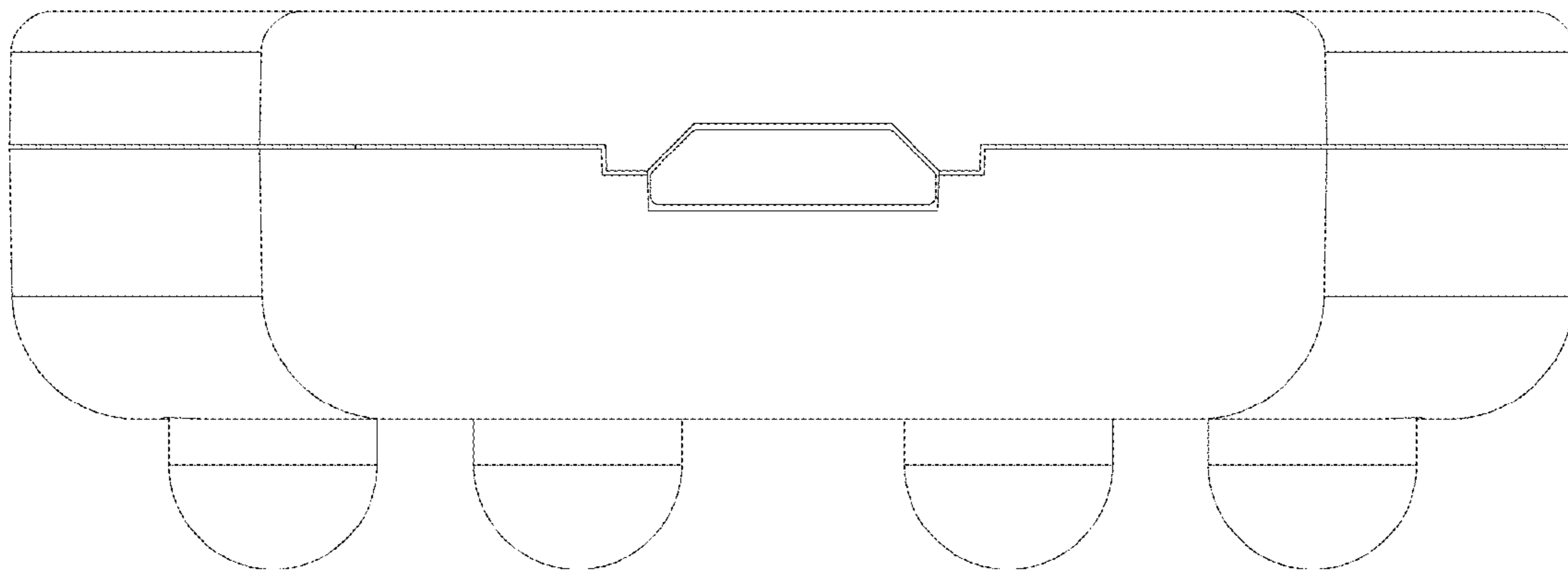


Fig. 5

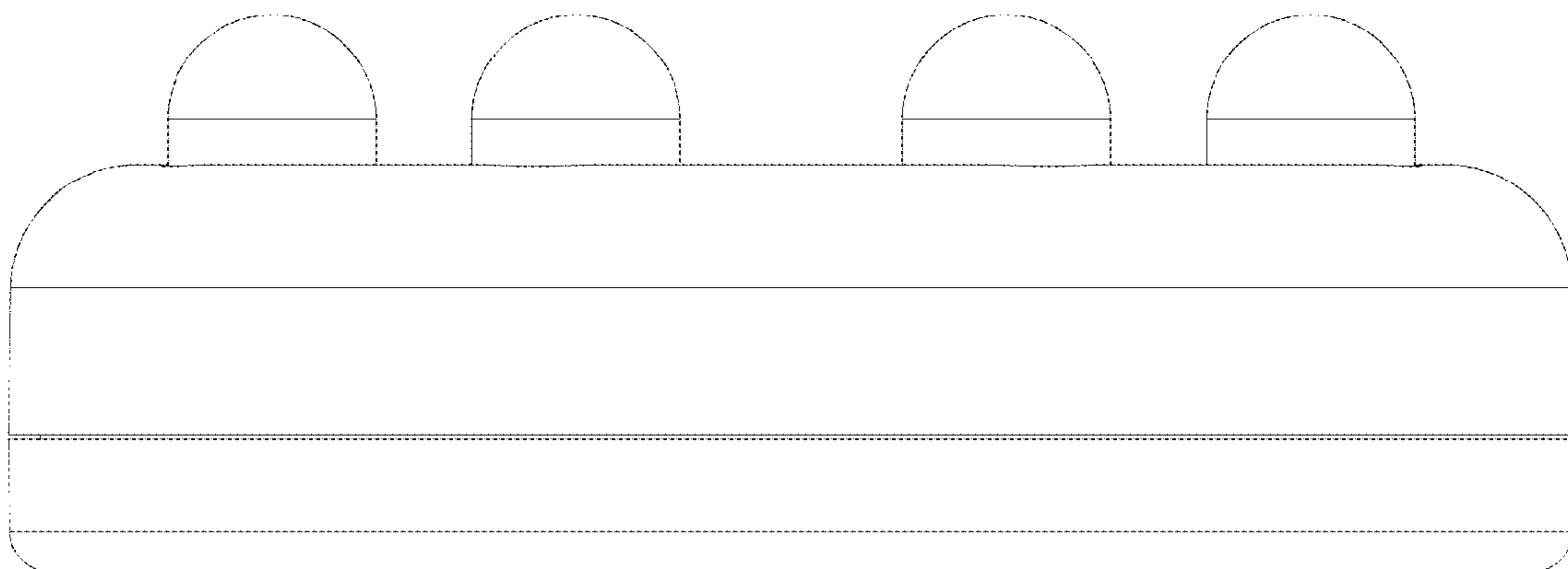


Fig. 6

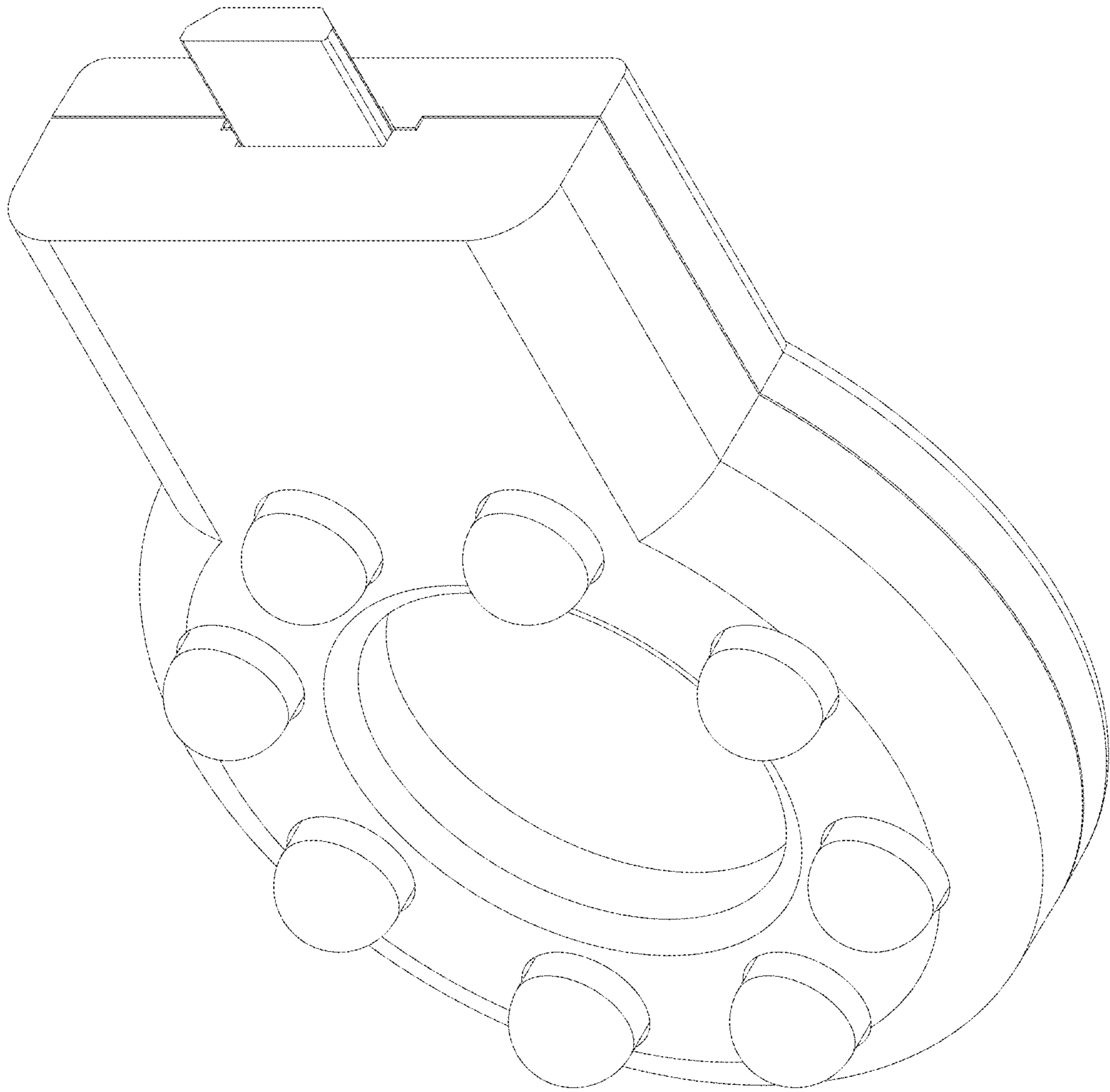


Fig. 7

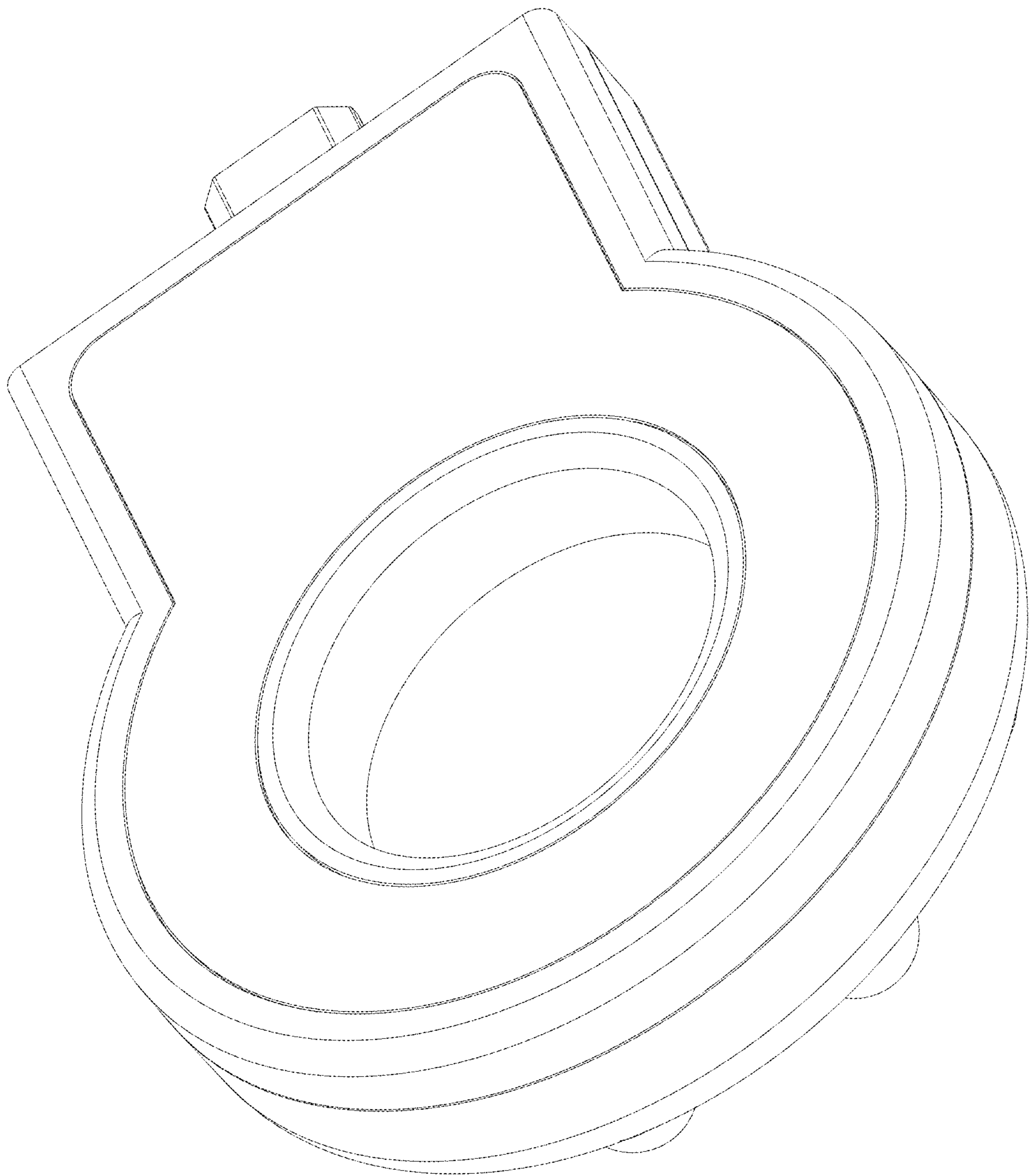


Fig. 8