



US00D929879S

(12) **United States Design Patent** (10) **Patent No.:** **US D929,879 S**  
**Paschke et al.** (45) **Date of Patent:** **\*\* Sep. 7, 2021**

(54) **BODY OF A FITNESS TRACKER**

(71) Applicant: **Fitbit, Inc.**, San Francisco, CA (US)  
(72) Inventors: **Brian Dennis Paschke**, San Francisco, CA (US); **Anthony Gerald Kern**, Pleasant Hill, CA (US); **Yidan Zhang**, Emeryville, CA (US); **Jonah Avram Becker**, San Francisco, CA (US); **Benjamin Patrick Robert Jean Riot**, San Francisco, CA (US); **Bobin Gao**, San Francisco, CA (US); **Eric John Fairbanks**, Lafayette, CA (US); **Junyong Park**, San Francisco, CA (US)

(73) Assignee: **Fitbit, Inc.**, San Francisco, CA (US)

(\*\*) Term: **15 Years**

(21) Appl. No.: **29/745,539**

(22) Filed: **Aug. 6, 2020**

(51) **LOC (13) Cl.** ..... **10-04**

(52) **U.S. Cl.**  
USPC ..... **D10/70; D10/38; D10/78; D10/97; D14/344; D24/167; D24/186**

(58) **Field of Classification Search**  
USPC ..... **D10/30-39, 65, 70, 78, 97, 98; D11/3; D14/138 R, 203.5, 203.6, 203.7, 341, D14/344; D24/167, 168, 186**  
(Continued)

(56) **References Cited**

**U.S. PATENT DOCUMENTS**

8,296,983 B2 10/2012 Padgett et al.  
8,370,549 B2 2/2013 Burton et al.  
(Continued)

**FOREIGN PATENT DOCUMENTS**

CN 203930353 U 11/2014  
CN 303317625 S 8/2015  
(Continued)

**OTHER PUBLICATIONS**

“New Fitbit Versa on the way with built-in Amazon Alexa?” Source: androidauthority.com (https://www.androidauthority.com/fitbit-versa-2-amazon-alexa-1014860/). Website accessed Mar. 30, 2020.

(Continued)

*Primary Examiner* — Antoine Duval Davis  
(74) *Attorney, Agent, or Firm* — Leason Ellis LLP

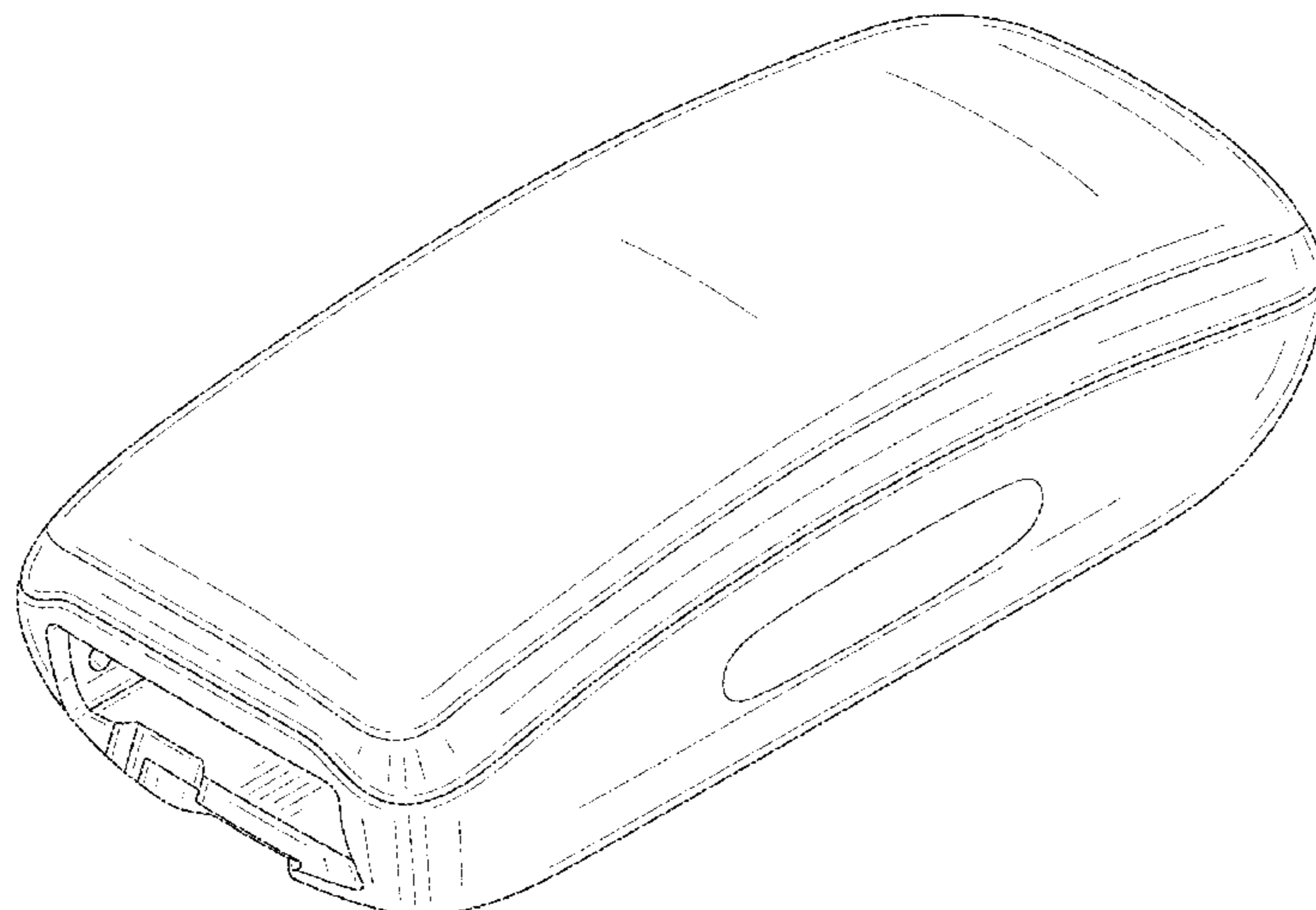
(57) **CLAIM**

The ornamental design for a body of a fitness tracker, as shown and described.

**DESCRIPTION**

FIG. 1 is a top, right side isometric view our new design for a body of a fitness tracker.  
FIG. 2 is a top plan view thereof.  
FIG. 3 is a bottom plan view thereof.  
FIG. 4 is a left side elevation view thereof.  
FIG. 5 is a right side elevation view thereof.  
FIG. 6 is a front side elevation view thereof.  
FIG. 7 is a back side elevation view thereof.  
FIG. 8 is a top, right side isometric view our new design for a body of a fitness tracker, it being understood that all other surfaces are the same as the body of the embodiment of FIG. 1.  
FIG. 9 is a top plan view thereof.  
FIG. 10 is a bottom plan view thereof.  
FIG. 11 is a left side elevation view thereof.  
FIG. 12 is a right side elevation view thereof.  
FIG. 13 is a front side elevation view thereof; and,  
FIG. 14 is a back side elevation view thereof.  
The features shown in broken lines in the drawing depict unclaimed subject matter and form no part of the claimed design.

**1 Claim, 10 Drawing Sheets**





(58) **Field of Classification Search**

CPC ..... G04B 19/00–19/34; G04B 21/12; G04B 23/12; G04B 37/00–37/228; G04B 47/00–47/068; G04B 45/0069; G04B 47/04; G04B 47/065; G04B 47/066; G01C 17/00; G01C 21/00–21/3697; G01C 22/00–22/025; G01C 23/00–23/005; G01C 21/16; G06F 19/3481; G06F 3/00–3/027; G06F 1/163; A44C 5/00–5/16; G01P 1/00–1/26; G01P 15/00–15/18; A63B 24/00–2024/0096; A63B 2213/00; A63B 69/0028; A63B 2071/0658–2071/0666; A63B 2220/00–2220/89; A63B 2225/02; A63C 11/02; A61B 5/681; A61B 5/6824; A61B 5/6825; A61B 5/6826; A61B 5/0537; A61B 5/4872; A61B 5/6831; A61B 5/4869; A61B 5/0858; A61B 5/1075; A61B 5/107; A61B 5/4875; A61B 5/4878; A61B 5/4881; A61B 5/61–5/6898; G04G 21/00; G04G 21/02; G04G 21/08; G04G 9/0064; G04G 9/0005; G04R 20/02; G04C 10/00; G04C 10/02; G08B 21/0269; G08B 21/0272; G08B 21/0286; G08B 21/0288; G08B 21/0291; G08B 21/04–21/2454; G01S 19/00–19/55

See application file for complete search history.

(56) **References Cited**

U.S. PATENT DOCUMENTS

D720,249 S	12/2014	Park et al.	
D720,635 S	1/2015	Park et al.	
D724,453 S	3/2015	Ogihara et al.	
D726,052 S	4/2015	Henning	
D727,183 S	4/2015	Park et al.	
D729,646 S	5/2015	Phillips et al.	
D729,648 S	5/2015	Phillips et al.	
D729,649 S	5/2015	Phillips et al.	
D744,869 S	12/2015	Dallmeyer et al.	
D745,513 S	12/2015	Jung et al.	
D745,514 S	12/2015	Jung et al.	
D747,714 S	1/2016	Erbeus	
D749,002 S	2/2016	Park et al.	
D751,069 S	3/2016	Choi et al.	
D751,549 S	3/2016	Park et al.	
D759,516 S	6/2016	Ling et al.	
D790,374 S *	6/2017	Lean .....	D10/70
D795,719 S	8/2017	Lean et al.	
D800,596 S	10/2017	Ling et al.	
D803,709 S	11/2017	Le Bihan et al.	
D806,880 S	1/2018	Henning	
D808,962 S	1/2018	Wu	
D813,229 S	3/2018	Ling et al.	
D814,643 S	4/2018	Mockler et al.	
D816,668 S	5/2018	Wu	
D826,763 S	8/2018	Chuang	
D827,838 S	9/2018	Lillquist et al.	
D831,643 S	10/2018	Son et al.	
D840,042 S	2/2019	Yan	
D845,868 S	4/2019	Hale, Jr.	
D846,747 S	4/2019	Lillquist et al.	
D848,875 S	5/2019	Wildner et al.	
D860,989 S	9/2019	Choplin et al.	
D861,678 S	10/2019	Kern et al.	
D864,956 S *	10/2019	Kern .....	D14/344
D865,546 S	11/2019	Kellock	
D879,094 S *	3/2020	Choplin .....	D14/344
D895,613 S	9/2020	Kozlovskaya et al.	
D902,203 S *	11/2020	Choplin .....	D14/344
D903,663 S *	12/2020	Jones .....	D14/344

D910,618 S *	2/2021	Kozlovskaya .....	A44C 5/14 D14/344
2014/0073486 A1	3/2014	Ahmed et al.	
2015/0186609 A1	7/2015	Utter, II	
2016/0374569 A1	12/2016	Breslow et al.	
2017/0011210 A1	1/2017	Cheong et al.	
2017/0065224 A1	3/2017	Rahko et al.	
2017/0120107 A1	5/2017	Wisbey	
2019/0361402 A1 *	11/2019	Markan .....	A44C 5/14

FOREIGN PATENT DOCUMENTS

CN	303814660 S	8/2016
CN	205697726 U	11/2016
CN	304191013 S	6/2017
CN	304191025 S	6/2017
CN	30425914 S	8/2017
CN	206920835 U	1/2018
CN	2068667660 U	1/2018
CN	207341307 U	5/2018
CN	305059475 S	3/2019
CN	305146927 S	5/2019
CN	305301071 S	8/2019
CN	305306153 S	8/2019
CN	305580104 S	1/2020
EM	004527299-0001	11/2017
EM	005518487-0005	7/2018
EM	005518487-0006	7/2018
EM	005518487-0010	7/2018
EM	005518487-0012	7/2018
EM	005838075-0001	11/2018
EM	006585006-0004	6/2019
EM	006585006-0011	6/2019
EM	006860904-0001	9/2019
EM	007701685-0001	2/2020
EM	007828199-0001	4/2020
IN	320486-001-0001	8/2019
KR	101805257 B1	2/2017
KR	30-1024782	9/2019

OTHER PUBLICATIONS

Connect by Timex Active Smartwatch with Heart Rate, Notifications and Activity Tracking, available at Amazon.com (<https://www.amazon.com/iConnect-Timex-TW5M34400-Active-Smartwatch/dp/B07XZRQBGV>). Website accessed Mar. 30, 2020.

Alfawise H19 RFID Sports Smartwatch Fitness Tracker—Black, available at gearbest.com ([https://www.gearbest.com/smart-watches/pp\\_009207049039.html?wid=1433363](https://www.gearbest.com/smart-watches/pp_009207049039.html?wid=1433363)). Website accessed Mar. 30, 2020.

Ergofinity™ Bluetooth Smart Watch available at ergofinity.com (<https://ergofinity.com/products/bluetooth-smart-watch-ios-android>). Website accessed Mar. 30, 2020.

Amazfit BIP Lite 3ATM Smart Watch (Blue) available at amazon.in ([https://www.amazon.in/Amazfit-Lite-3ATM-Smart-Watch/dp/B07WQWDYJ7/ref=asc\\_df\\_B07WQWDYJ7/?tag=googleshopdes-21&linkCode=df0&hvadid=397082878775&hvpos=&hvnetw=g&hvrnd=13400080515884943460&hvpone=&hvptwo=&hvqmt=&hvdev=c&hvdvcmdl=&hvlocint=&hvlocphy=1007765&hvtargid=pla-819594895182&pvc=1&ext\\_vmc=hi](https://www.amazon.in/Amazfit-Lite-3ATM-Smart-Watch/dp/B07WQWDYJ7/ref=asc_df_B07WQWDYJ7/?tag=googleshopdes-21&linkCode=df0&hvadid=397082878775&hvpos=&hvnetw=g&hvrnd=13400080515884943460&hvpone=&hvptwo=&hvqmt=&hvdev=c&hvdvcmdl=&hvlocint=&hvlocphy=1007765&hvtargid=pla-819594895182&pvc=1&ext_vmc=hi)). Website accessed Mar. 30, 2020.

Samsung's 6th smartwatch has a 3G modern and a massive curved display, posted Aug. 28, 2014, [retrieved Jun. 5, 2019]. Retrieved from Internet, <U RL:<https://arstechnica.com/gadgets/2014/08/samsungs-6th-smartwatch-has-a-3g-modern-and-a-massive-curved-display/>>.

Samsung Introduces Three New Wearables for Balanced and Connected Living, Samsung Newsroom, posted Feb. 20, 2019, accessed Feb. 25, 2019. <URL: <https://news.samsung.com/us/samsung-wearable-galaxy-watch-active-galaxy-fit-galaxy-buds-unpacked-2019/>>.

Seifert, "Making Time: how Pebble built its next smartwatch," downloaded from: <http://www.theverge.com/2015/2124/8091175/pebble-time-watchwearable-platform-eric-migicovsky-interview>, The Verge, Feb. 24, 2015.

(56)

**References Cited**

## OTHER PUBLICATIONS

Alfawise H19 RFID Sports Smartwatch Fitness Tracker for sale at gearbest.com ([https://www.gearbest.com/smart-watches/pp\\_009207049039.html?wid=1433363](https://www.gearbest.com/smart-watches/pp_009207049039.html?wid=1433363)). Website accessed Dec. 6, 2019.

Fitbit Versa Smartwatch and Activity Tracker with Classic Band for sale at HSN (<https://www.hsn.com/products/fitbit-versa-smartwatch-and-activity-tracker-with-class/8688605>). Website accessed Dec. 6, 2019.

Fitbit Versa Smartwatch for sale at kohls.com (<https://www.kohls.com/product/prd-3296179/fitbit-versa-smart-fitness-watch-non-nfc.jsp>). Website accessed Dec. 6, 2019.

“Basis B1 Watch In-Depth Review”, DC Rainmaker (<http://www.dcrainmaker.com/2013/basis-b1-review.html>). Website accessed Feb. 4, 2014.

Review: Fitbit Inspire HR, dated Mar. 12, 2019, source Wired.com (<https://www.wired.com/review/review-fitbit-inspire-hr/>). Website accessed Aug. 31, 2020.

Stolyar, Brenda. “Fitbit Charge 3 Review dated Nov. 19, 2019: Jack of All Trades”, source Digital Trends (<https://www.digitaltrends.com/fitness-tracker-reviews/fitbit-charge-3-review/>). Website accessed Aug. 25, 2020.

U.S. Appl. No. 29/729,178, filed Mar. 24, 2020, applicant Fitbit, Inc.  
U.S. Appl. No. 29/706,974, filed Sep. 25, 2019, applicant Fitbit, Inc.  
U.S. Appl. No. 29/729,039, filed Mar. 24, 2020, applicant Fitbit, Inc.  
U.S. Appl. No. 29/721,845, filed Jan. 23, 2020, applicant Fitbit, Inc.  
U.S. Appl. No. 29/721,870, filed Jan. 23, 2020, applicant Fitbit, Inc.  
U.S. Appl. No. 29/722,312, filed Jan. 28, 2020, applicant Fitbit, Inc.  
U.S. Appl. No. 29/722,314, filed Jan. 28, 2020, applicant Fitbit, Inc.  
U.S. Appl. No. 29/729,177, filed Mar. 24, 2020, applicant Fitbit, Inc.  
U.S. Appl. No. 29/656,638, filed Jul. 13, 2018, applicant Fitbit, Inc.  
U.S. Appl. No. 29/732,494, filed Apr. 24, 2020, applicant Fitbit, Inc.  
U.S. Appl. No. 29/732,495, filed Apr. 24, 2020, applicant Fitbit, Inc.  
U.S. Appl. No. 29/732,496, filed Apr. 24, 2020, applicant Fitbit, Inc.  
U.S. Appl. No. 29/669,190, filed Nov. 6, 2018, applicant Fitbit, Inc.  
U.S. Appl. No. 29/688,946, filed Apr. 25, 2019, applicant Fitbit, Inc.  
U.S. Appl. No. 29/702,946, filed Aug. 22, 2019, applicant Fitbit, Inc.  
U.S. Appl. No. 29/702,397, filed Aug. 19, 2019, applicant Fitbit, Inc.  
Abandoned U.S. Appl. No. 29/705,182, filed Sep. 10, 2019, applicant Fitbit, Inc.  
U.S. Appl. No. 29/728,976, filed Mar. 23, 2020, applicant Fitbit, Inc.

\* cited by examiner



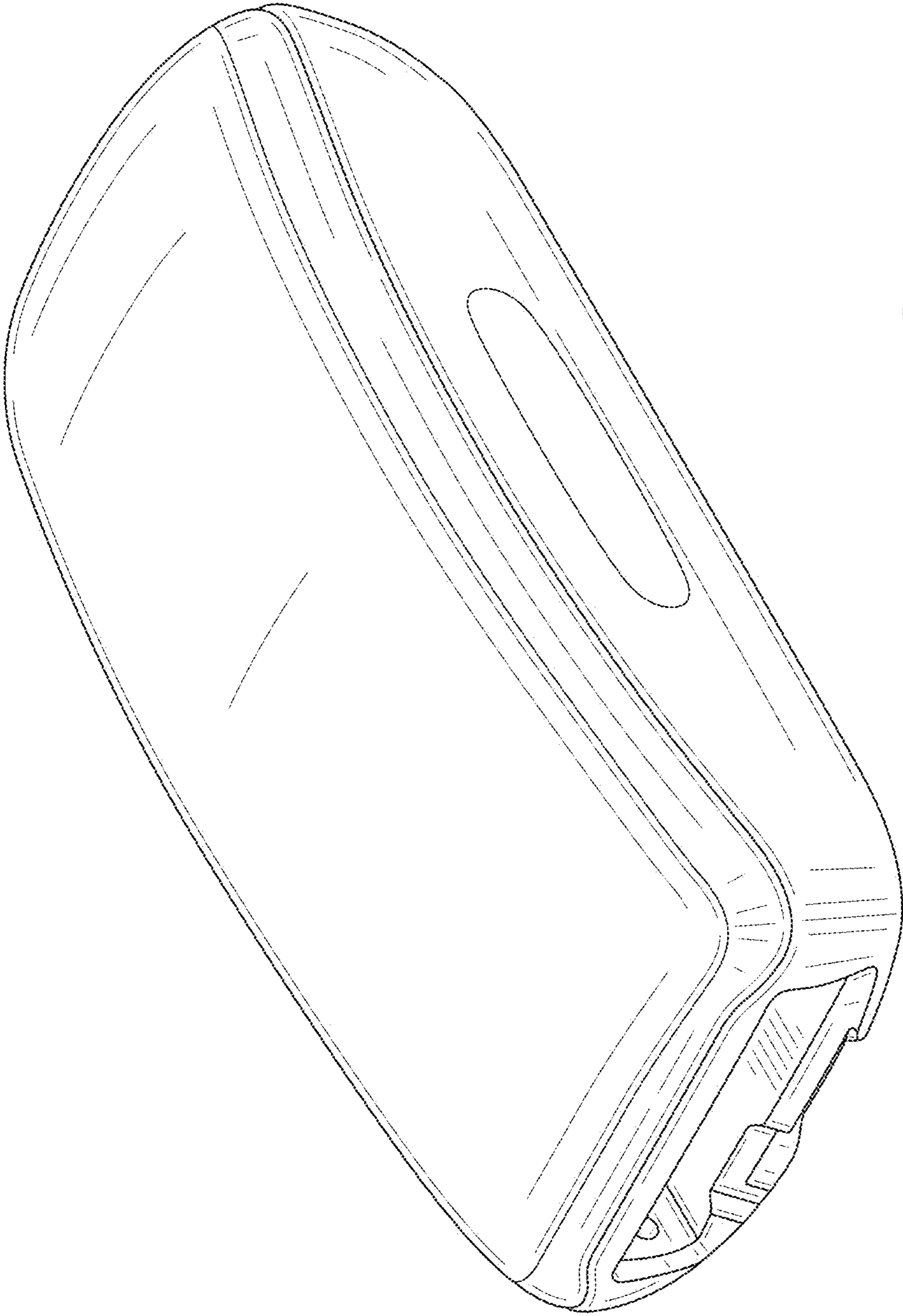


FIG. 1

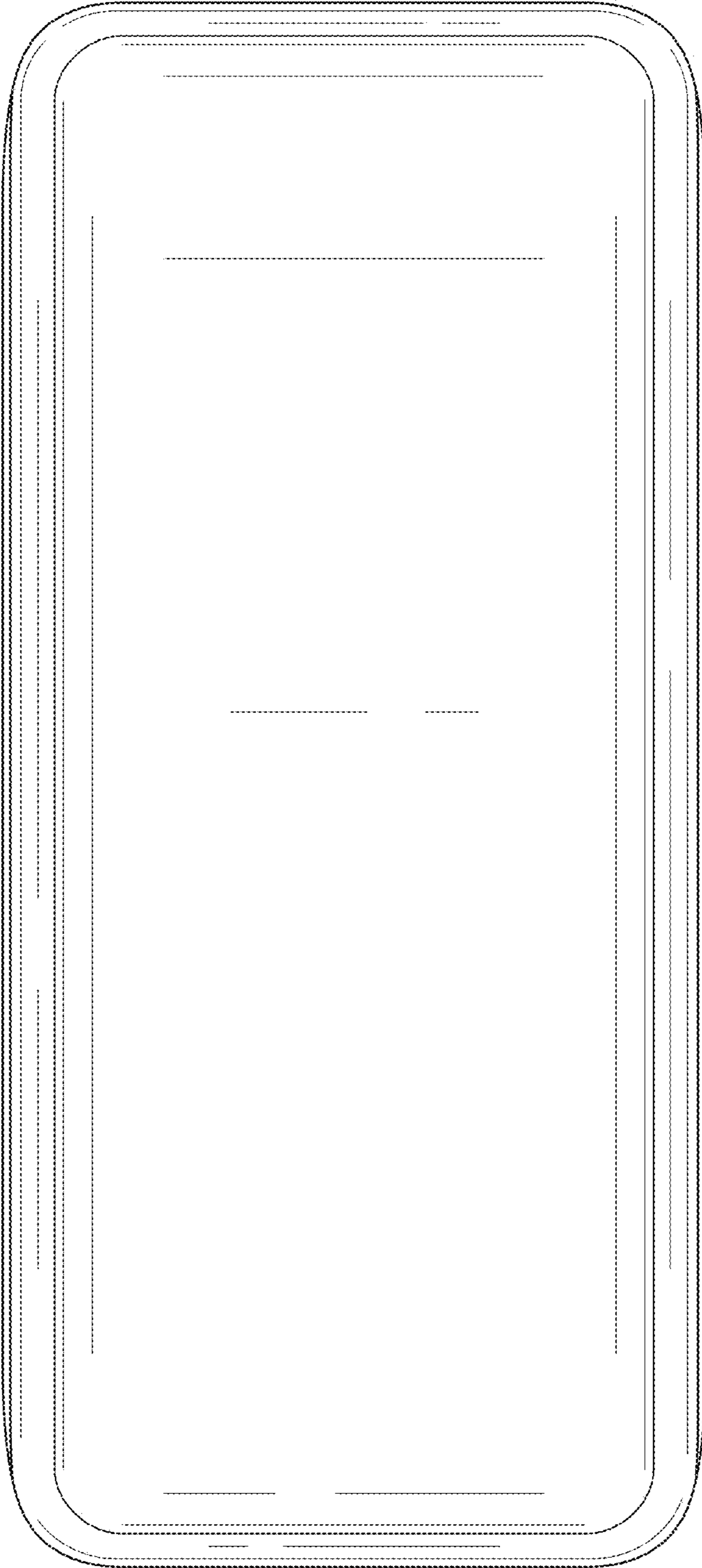


FIG. 2

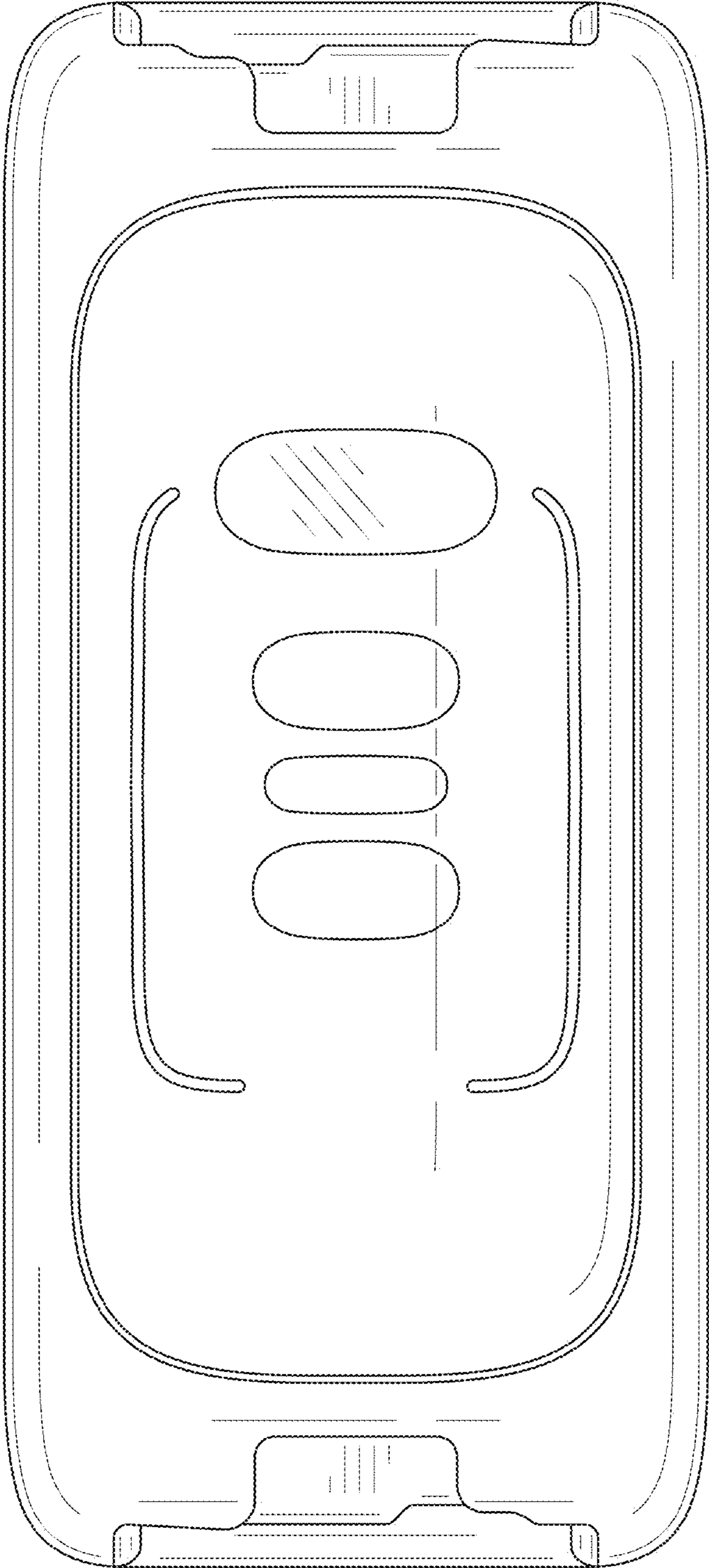


FIG. 3

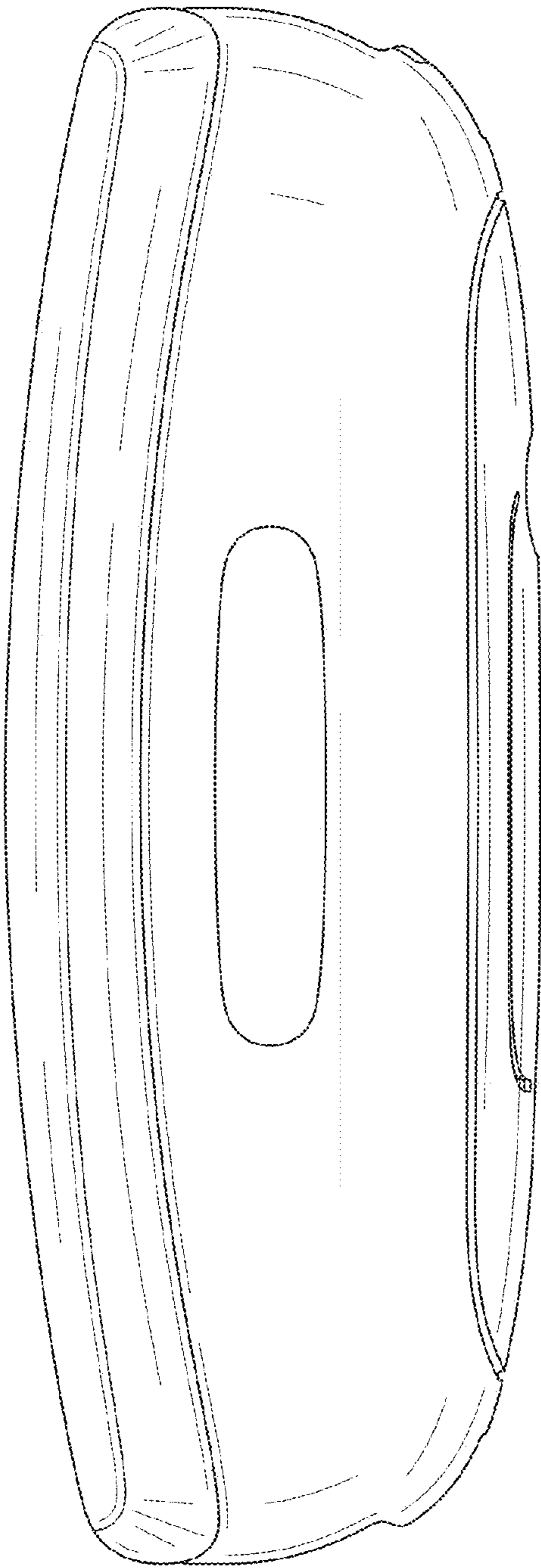


FIG. 4

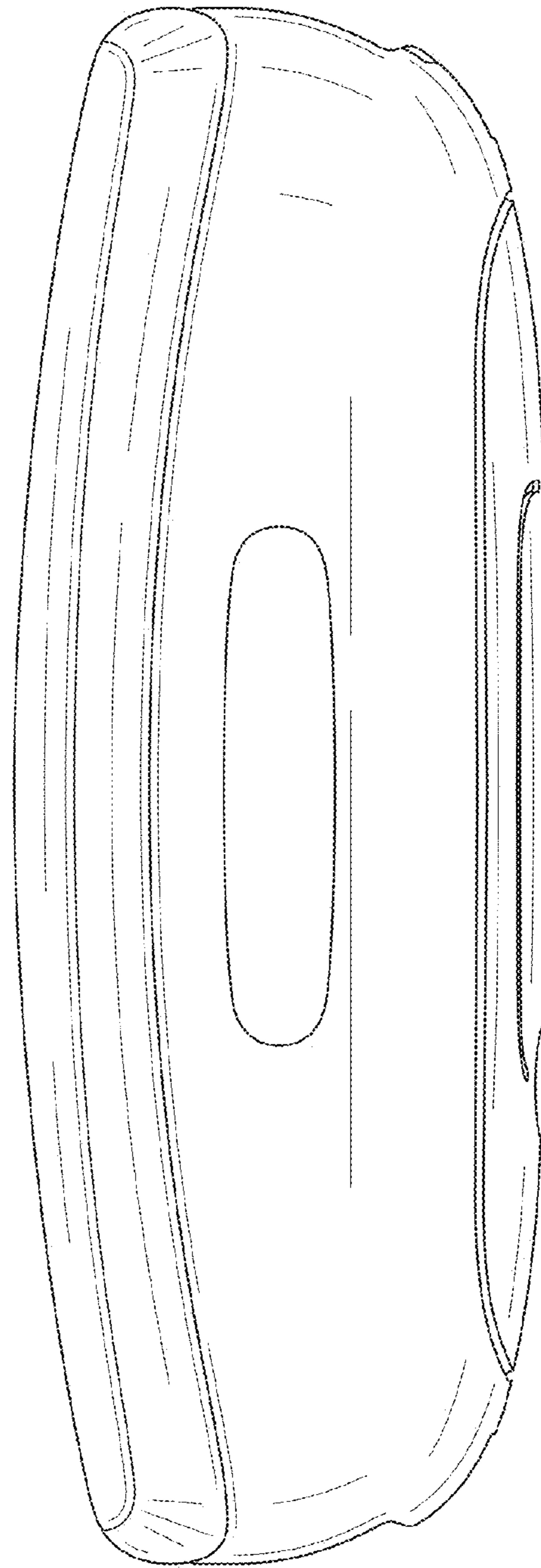


FIG. 5

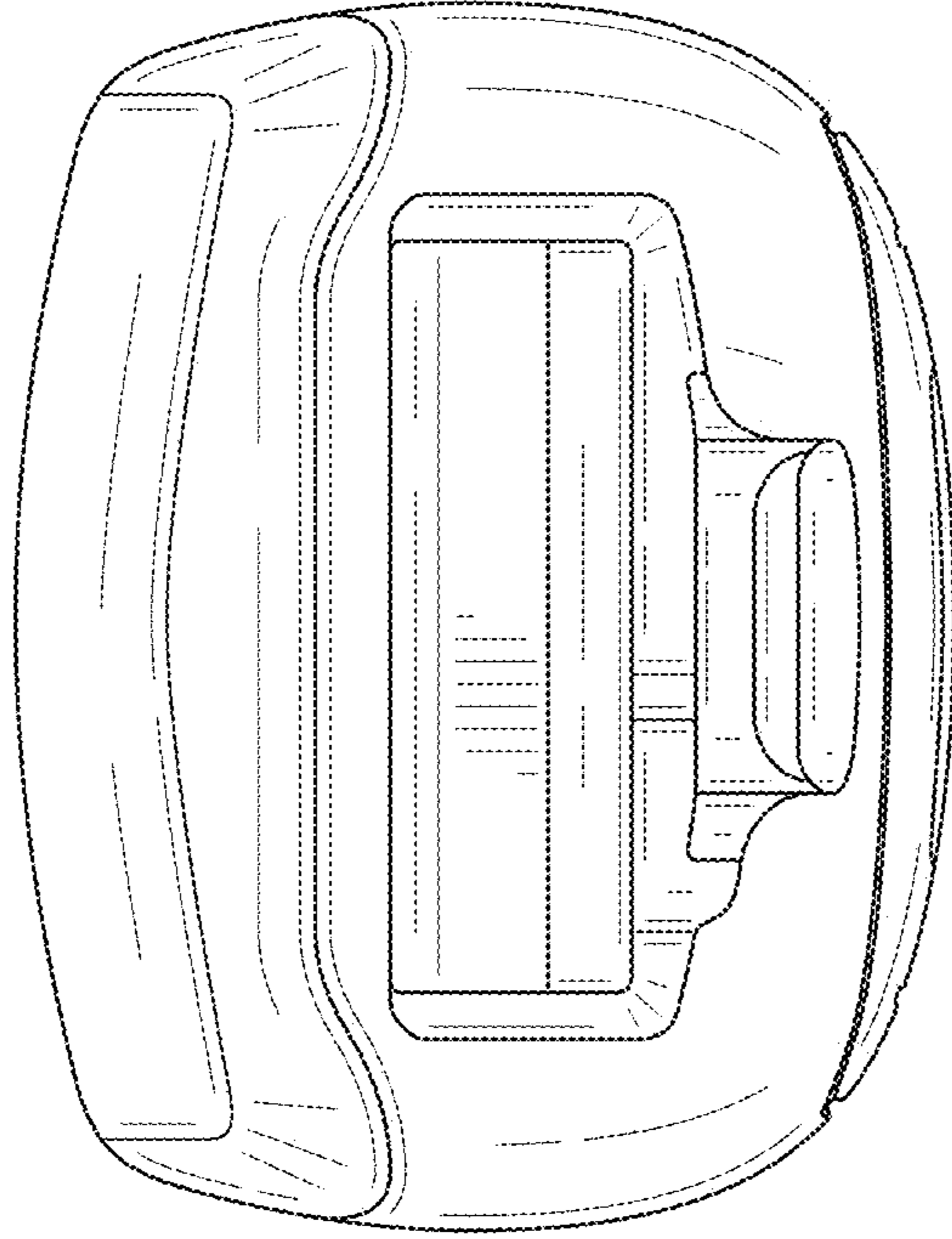


FIG. 7

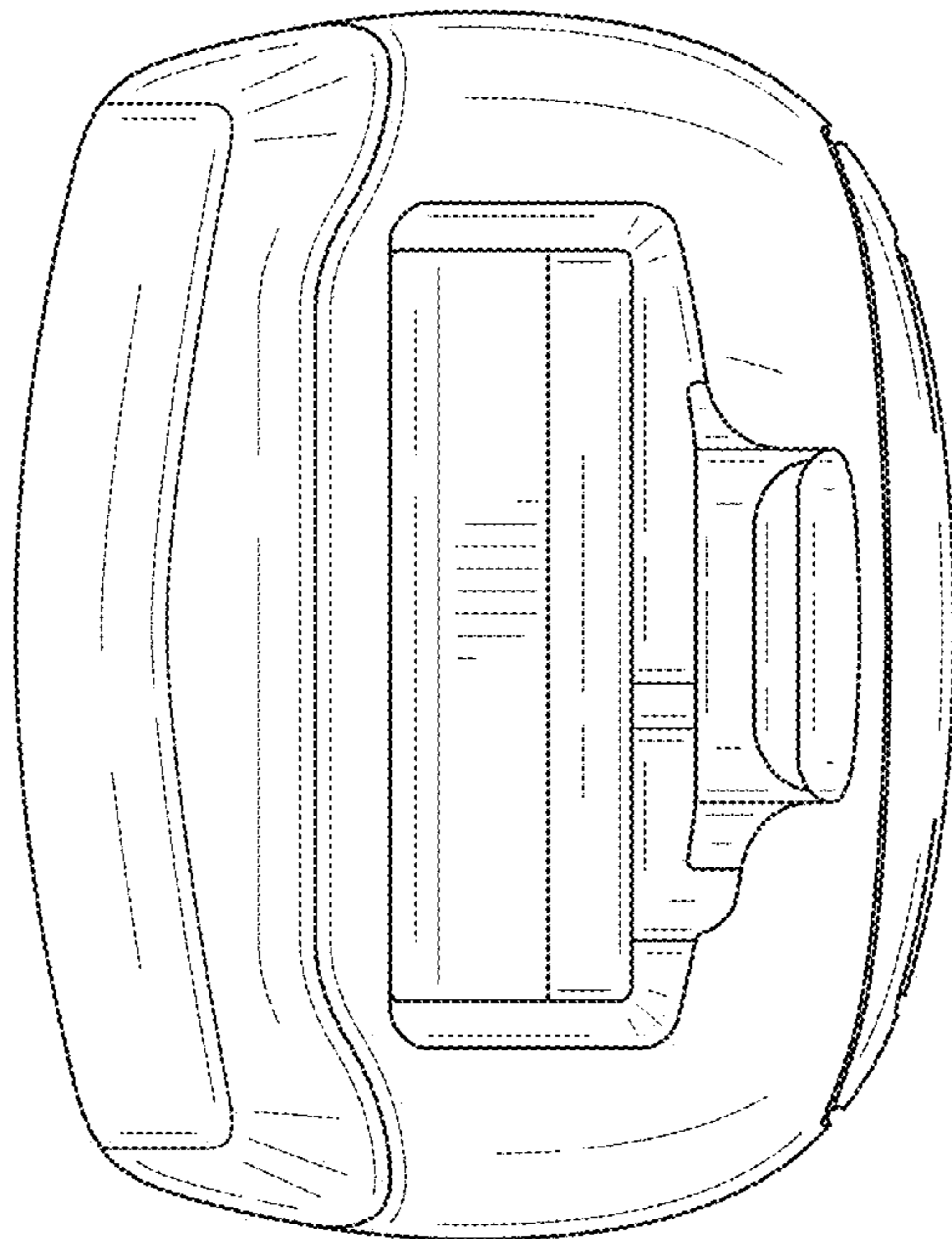


FIG. 6



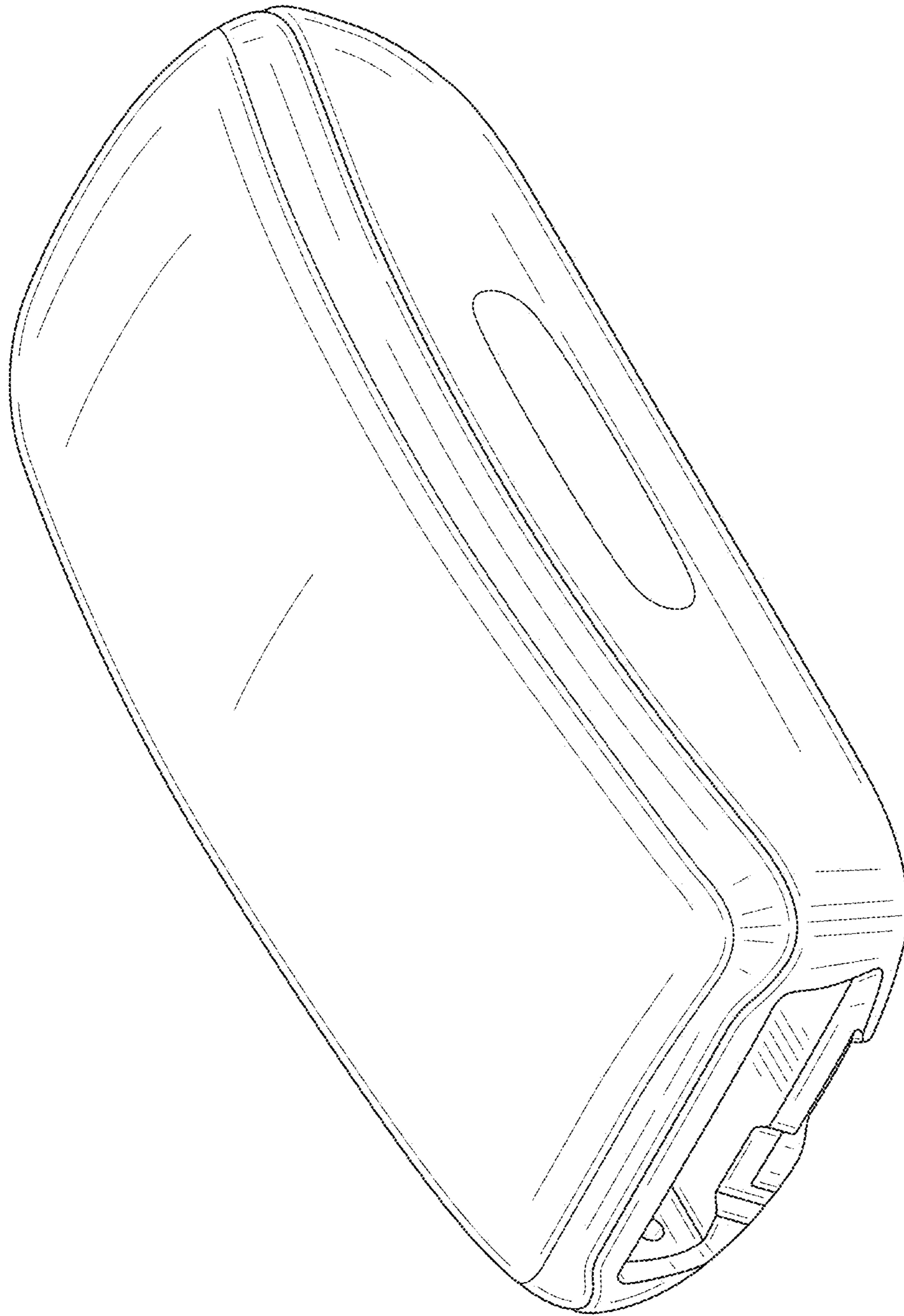


FIG. 8

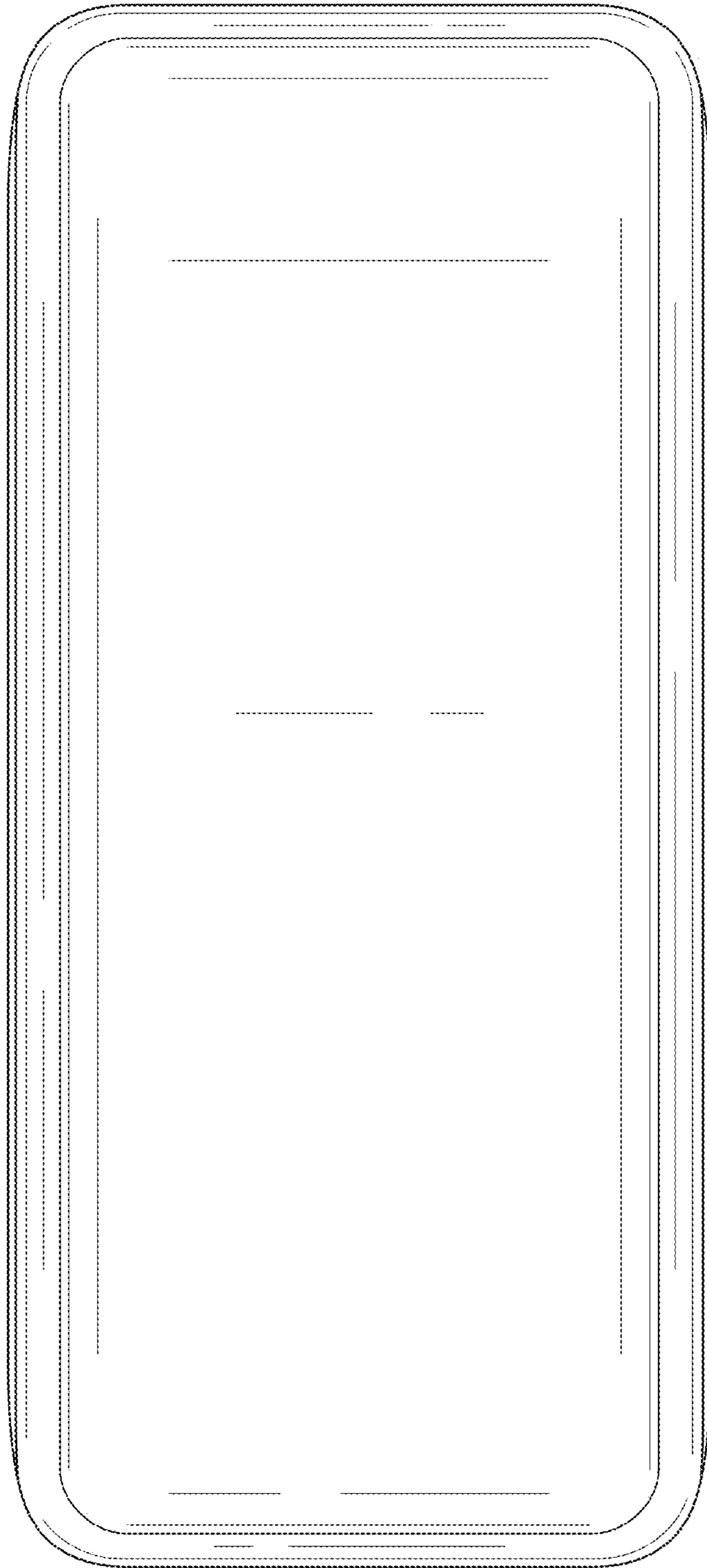


FIG. 9

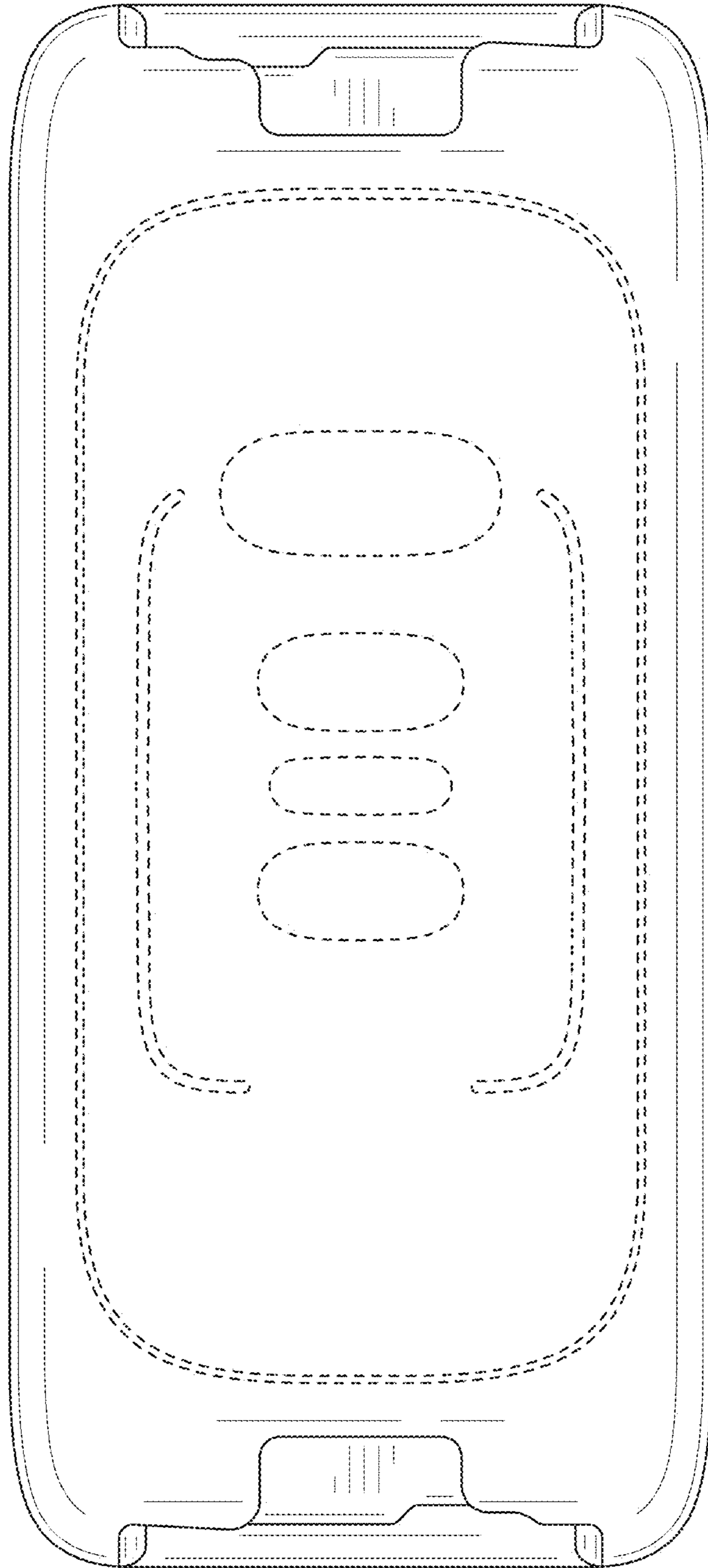


FIG. 10



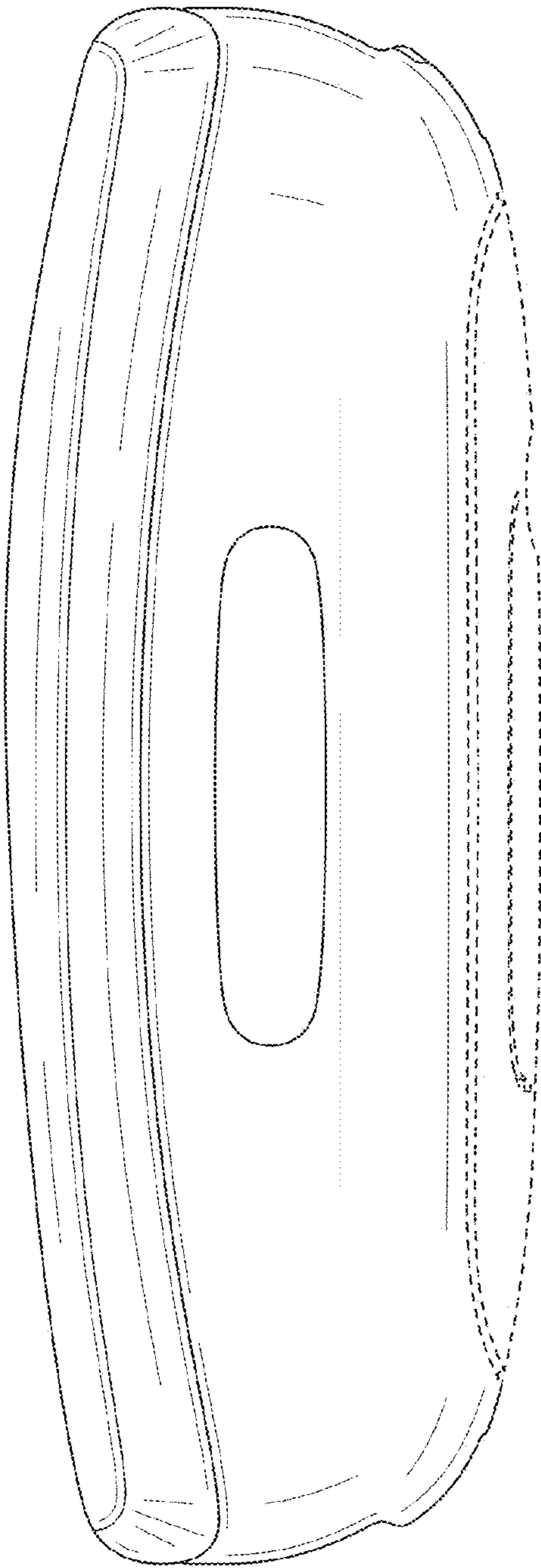


FIG. 11

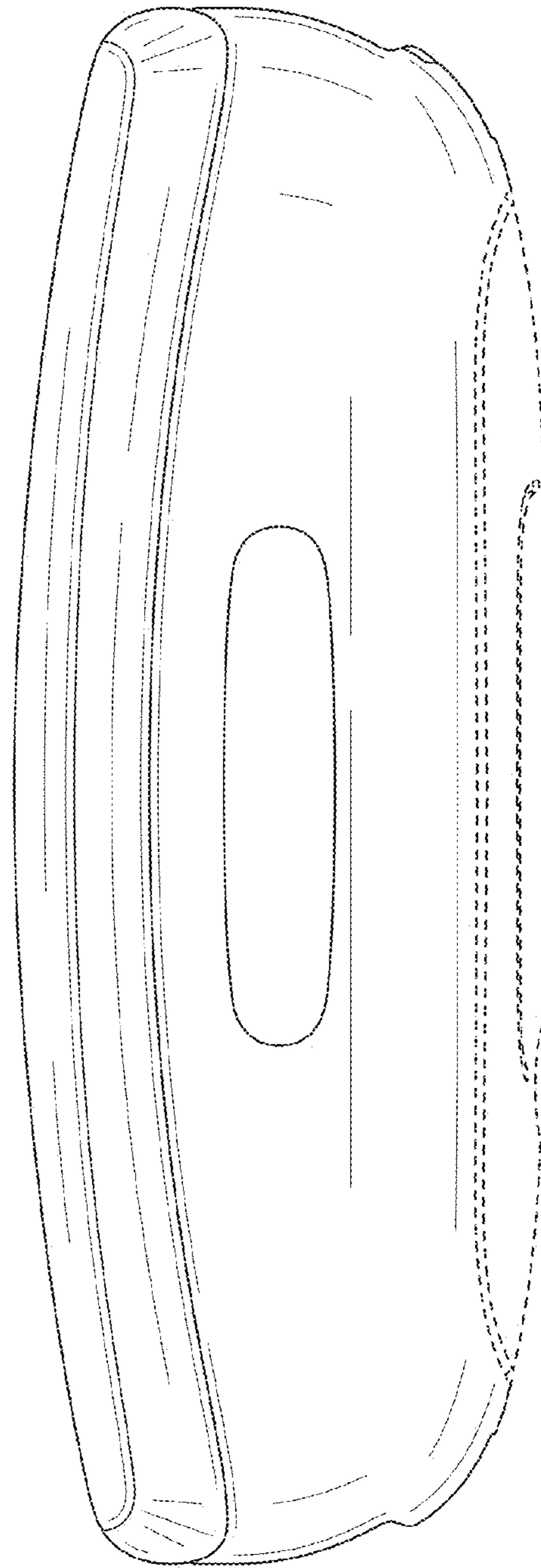


FIG. 12

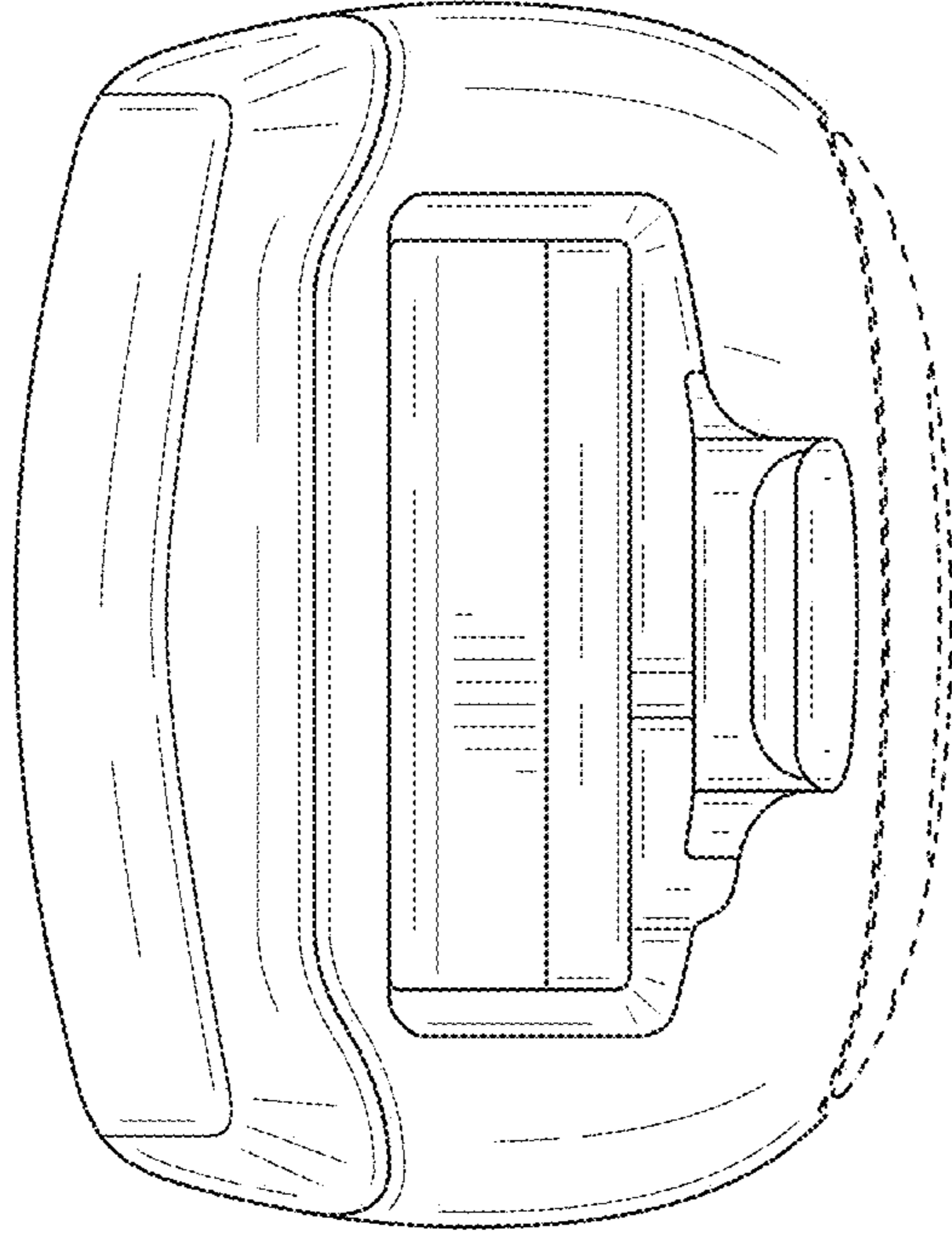


FIG. 14

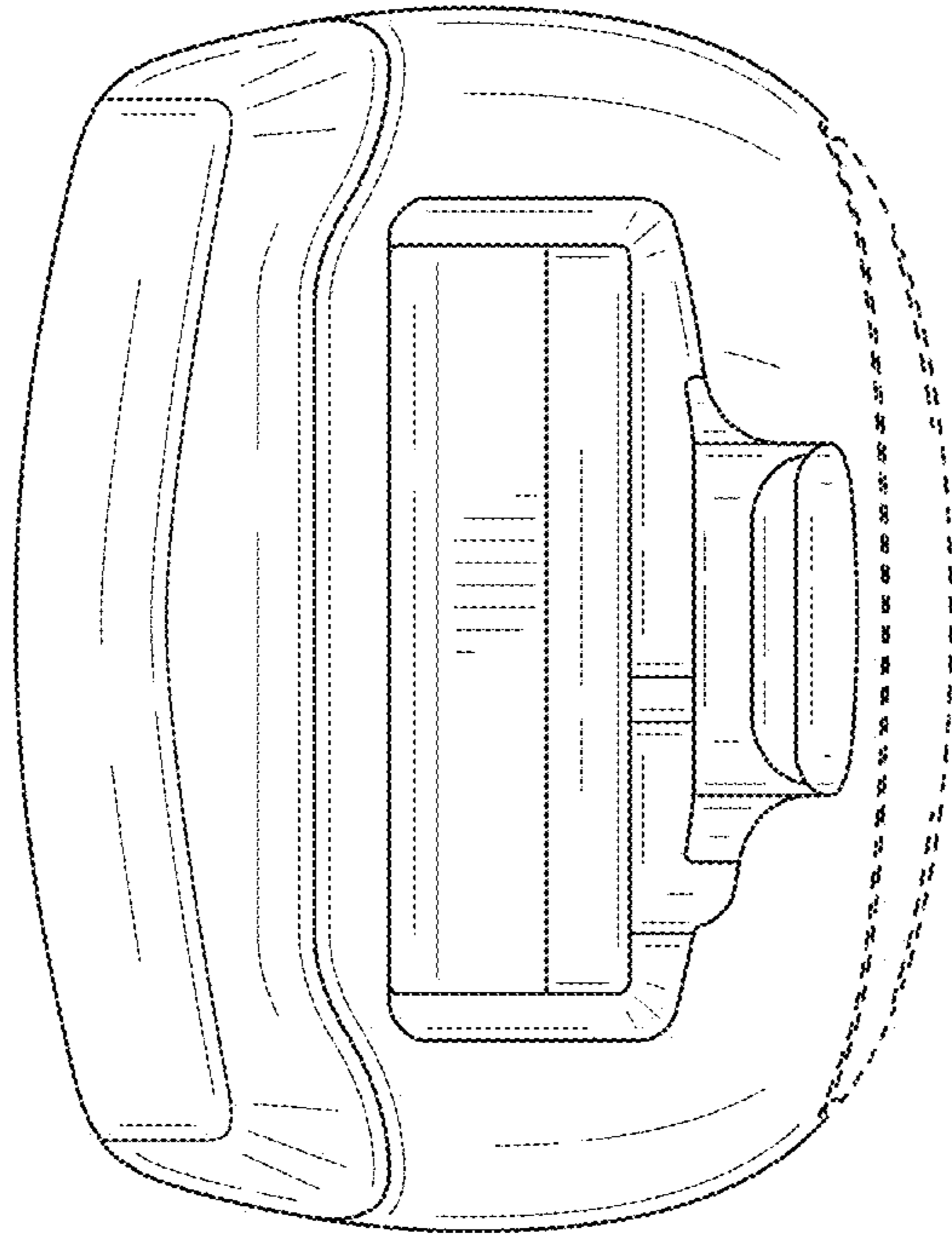


FIG. 13